



US00D331060S

United States Patent [19]

[11] Patent Number: **Des. 331,060**

Emmons et al.

[45] Date of Patent: **** Nov. 17, 1992**

[54] **OMNIDIRECTIONAL REMOTE CONTROLLER FOR TELEVISION RECEIVERS AND THE LIKE**

[75] Inventors: **Lawrence D. Emmons**, Grass Valley; **Douglas M. Patton**, Irvine, both of Calif.

[73] Assignee: **Mitsubishi Electronics America, Inc.**, Cypress, Calif.

[**] Term: **14 Years**

[21] Appl. No.: **835,140**

[22] Filed: **Feb. 12, 1992**

Related U.S. Application Data

[62] Division of Ser. No. 430,657, Nov. 2, 1989, Pat. No. Des. 325,582.

[52] U.S. Cl. **D14/218**

[58] Field of Search **D13/168; D14/192, 217-218, D14/299; 358/194.1; 455/151, 352-355, 603, 605**

[56] References Cited

U.S. PATENT DOCUMENTS

- D. 232,863 9/1974 Tong D14/192
- D. 281,776 12/1985 Griffin D13/168
- D. 301,332 5/1989 Schwartz D13/168 X

Primary Examiner—Terry A. Pfeffer
Attorney, Agent, or Firm—Knobbe, Martens, Olson & Bear

[57] CLAIM

The ornamental design of an omnidirectional remote controller for television receivers and the like, as shown.

DESCRIPTION

FIG. 1 is a perspective view of an omnidirectional remote controller for television receivers and the like showing our new design;

FIG. 2 is a front elevational view thereof;

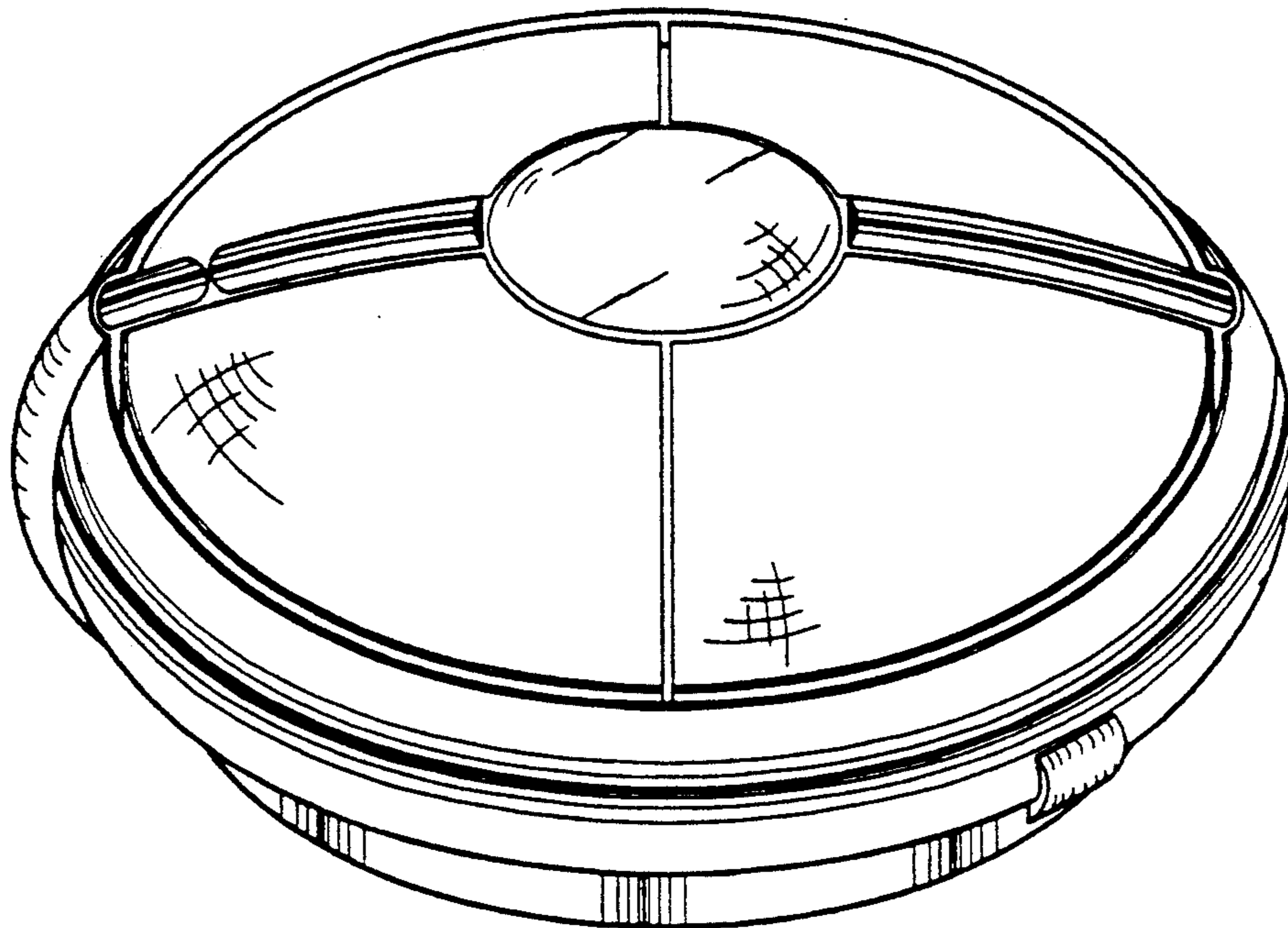
FIG. 3 is a rear elevational view thereof;

FIG. 4 is a top plan view thereof;

FIG. 5 is a left side elevational view thereof;

FIG. 6 is a right side elevational view thereof; and,

FIG. 7 is a bottom plan view thereof.



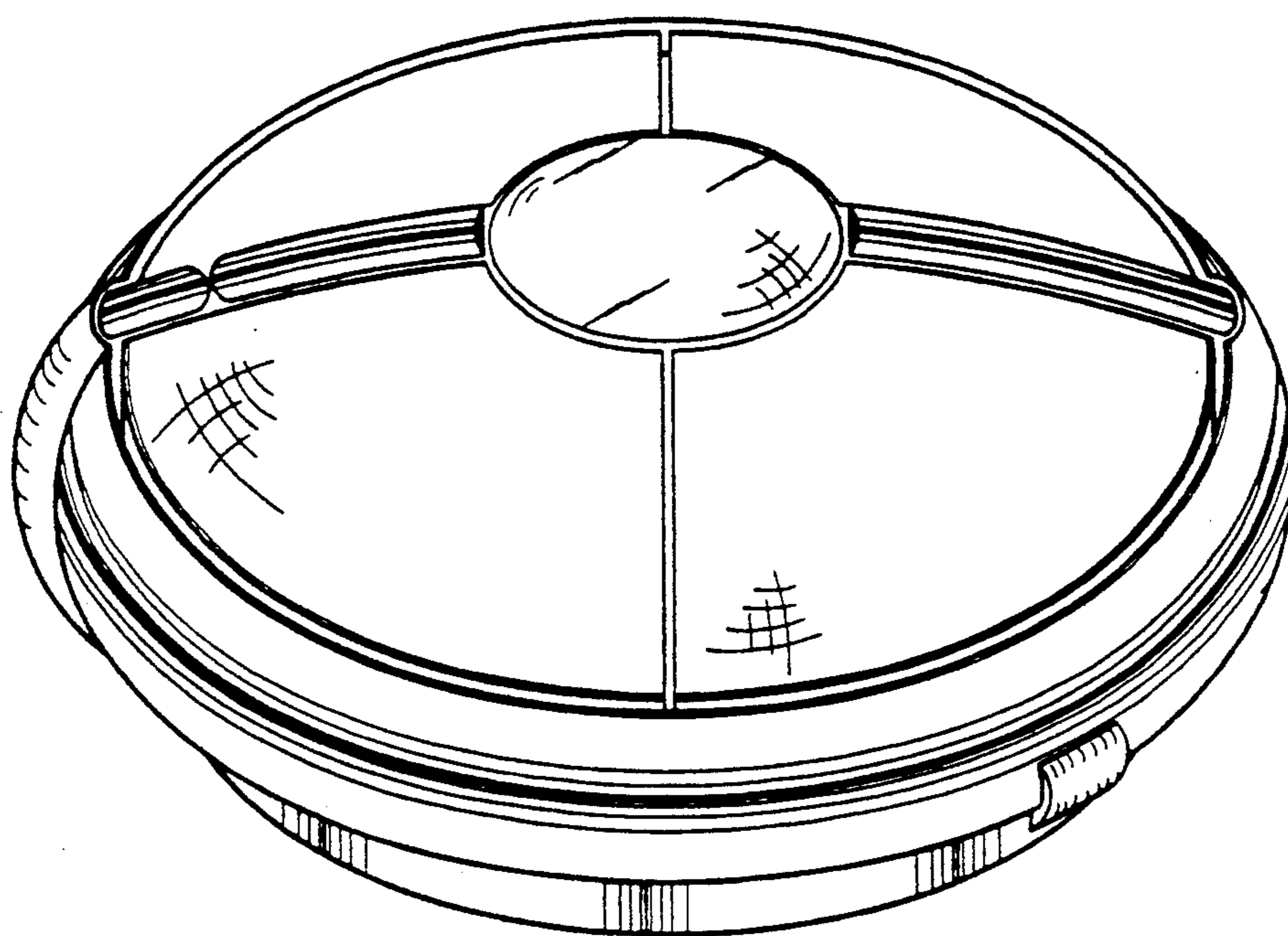


Fig. 1

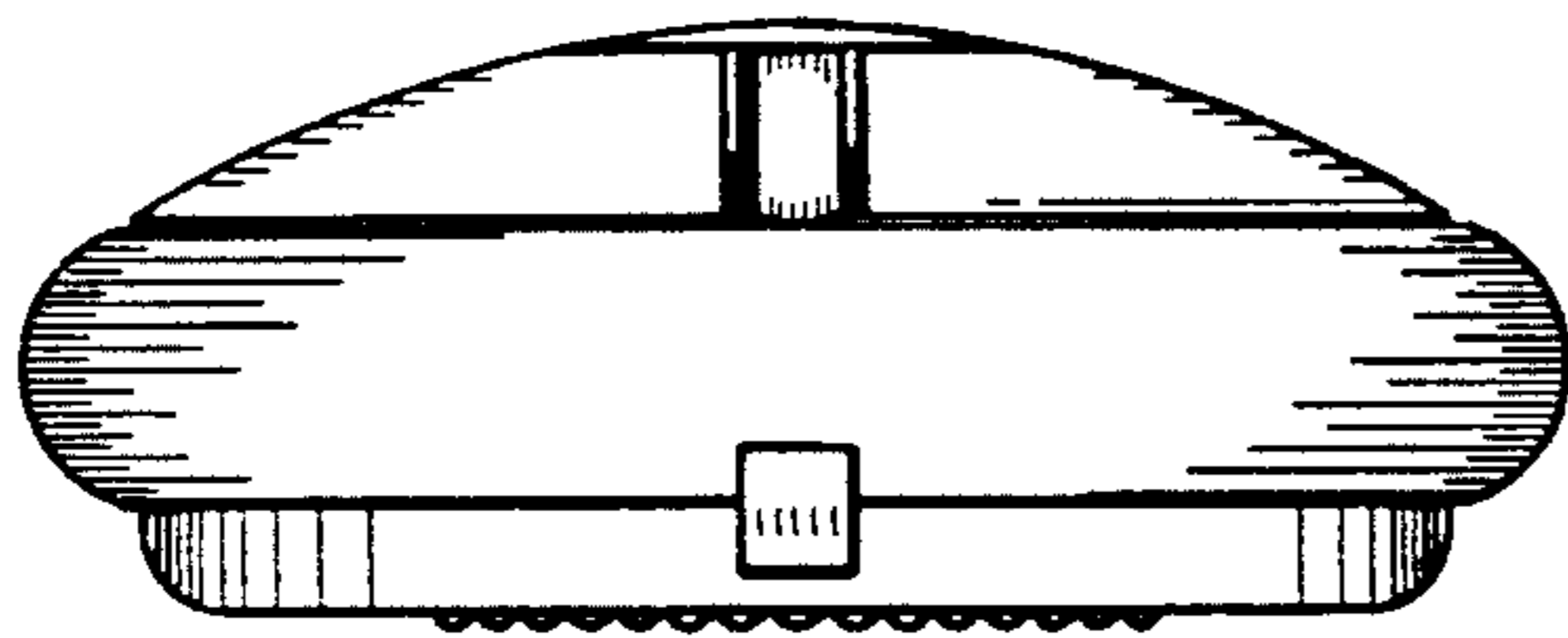


Fig. 3

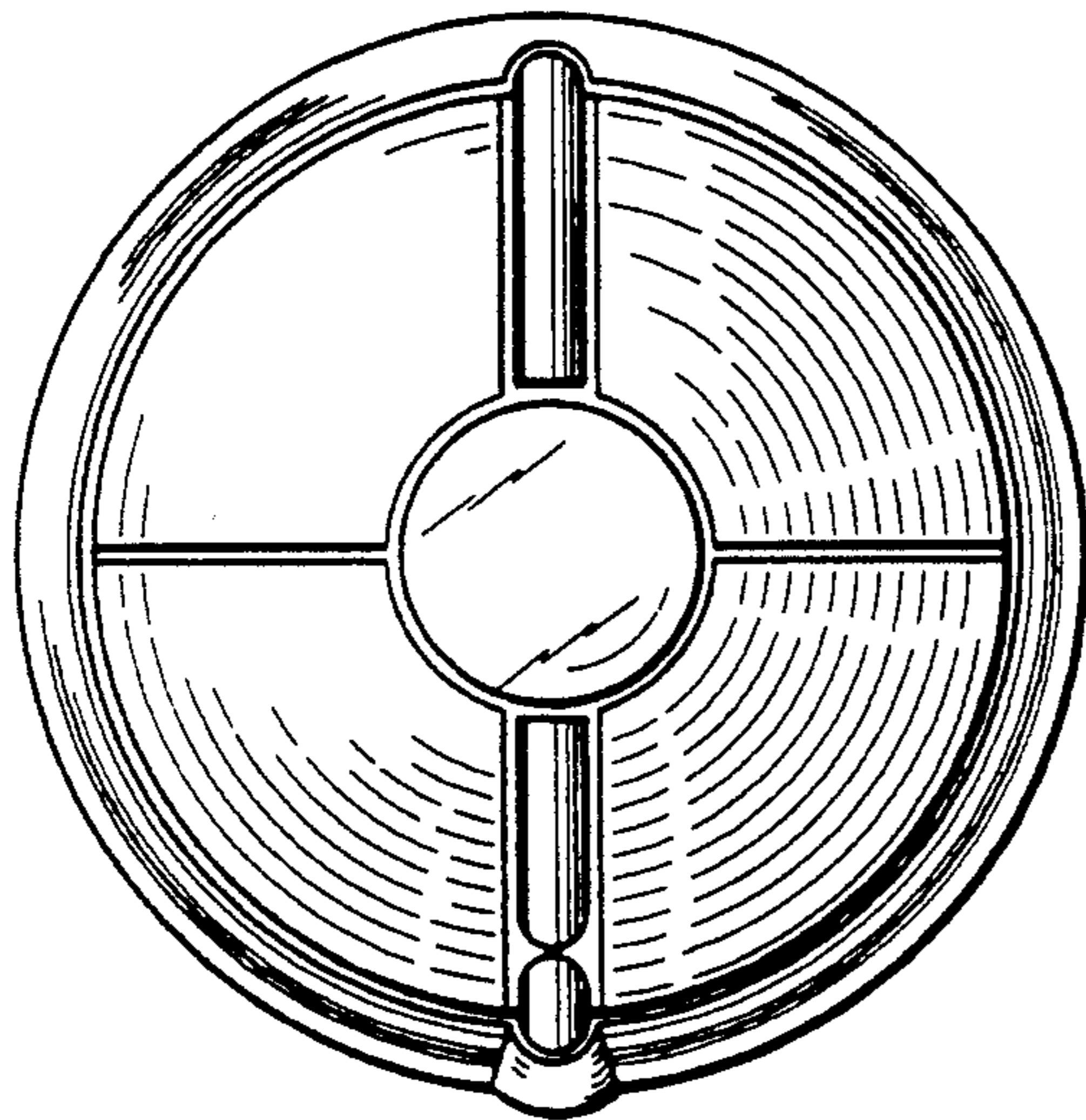


Fig. 4

Fig. 2

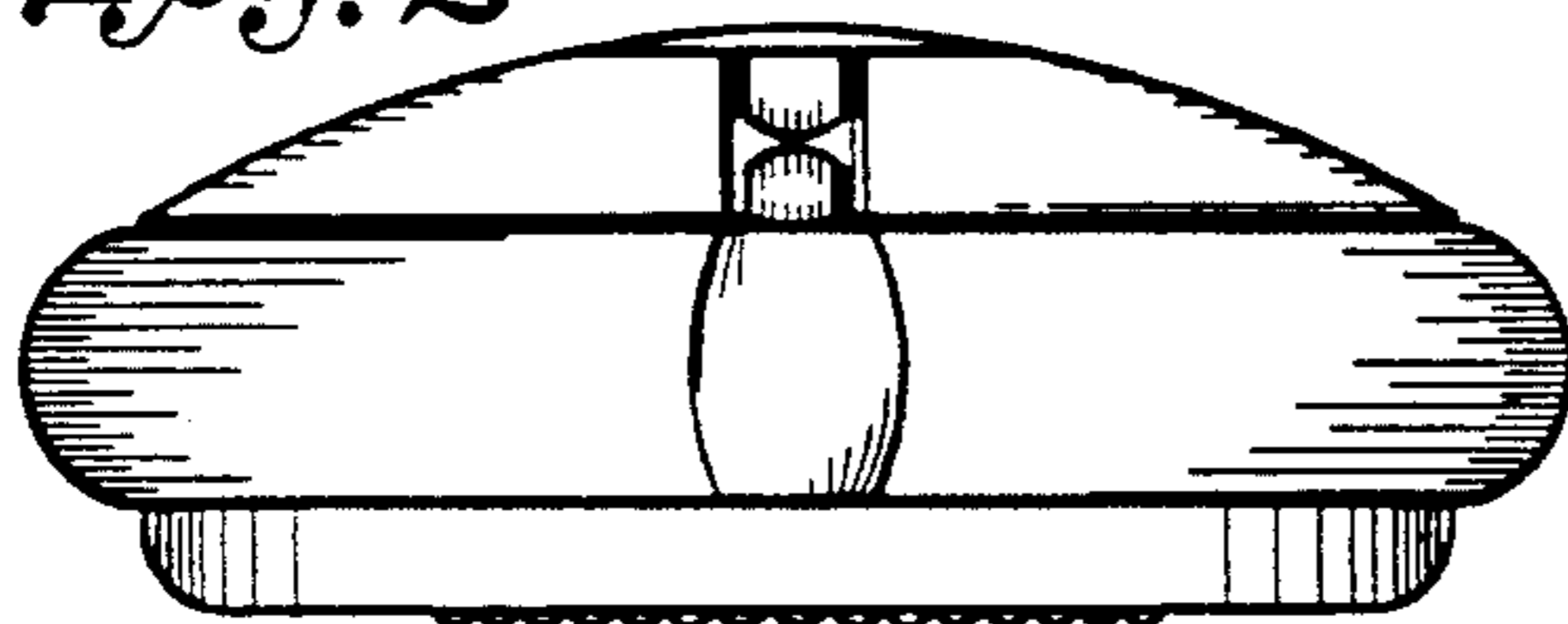


Fig. 5

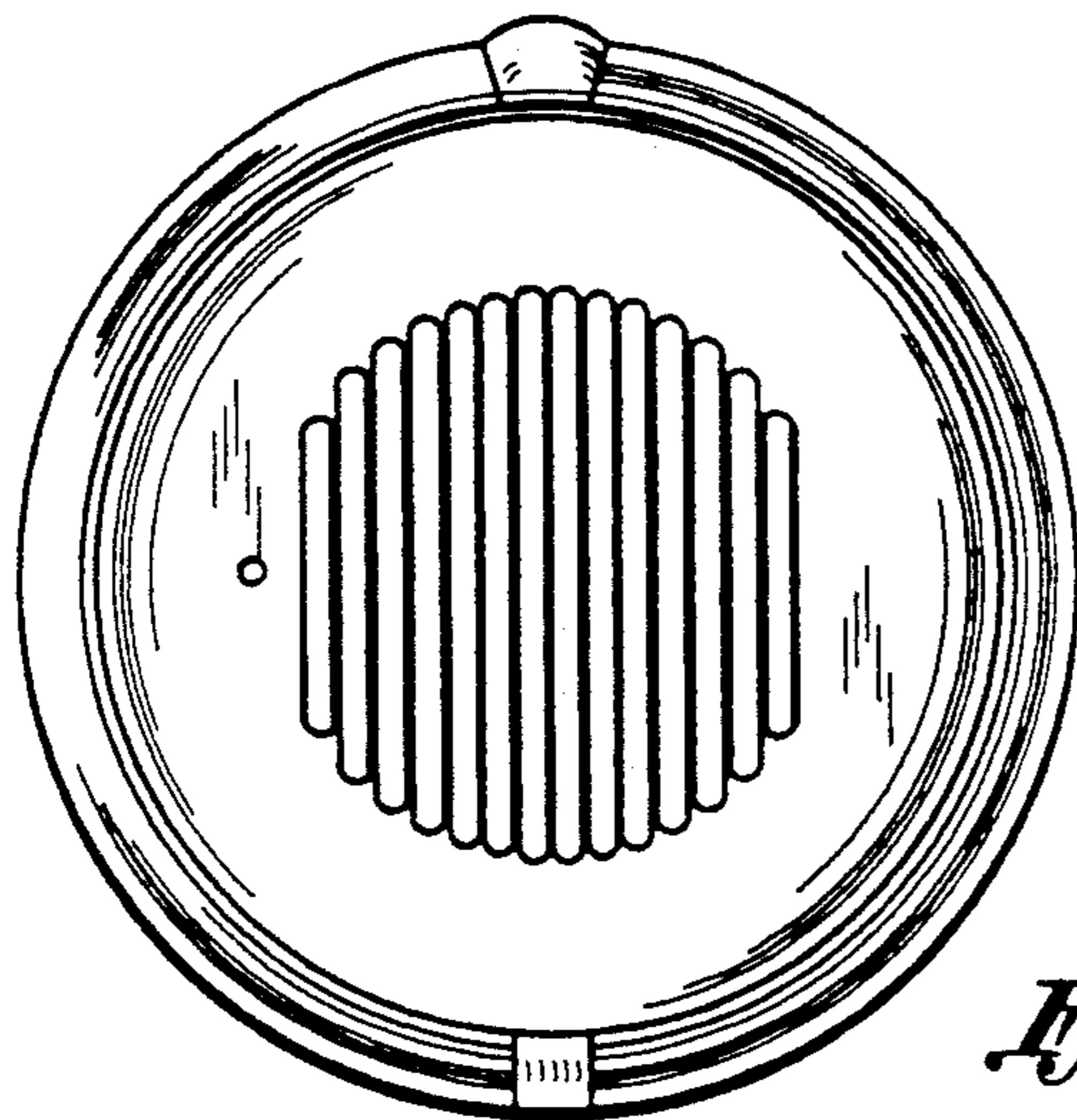
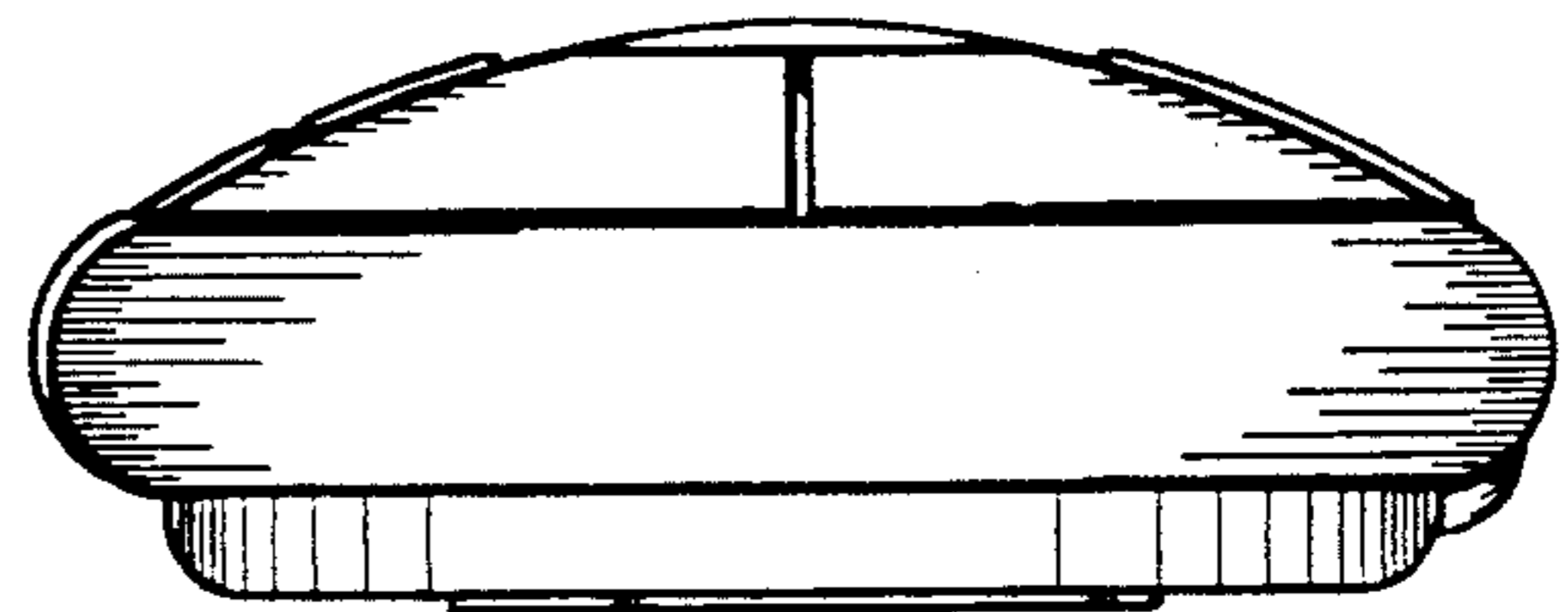


Fig. 7

Fig. 6

