

United States Patent [19]

[11] Patent Number: **Des. 331,059**

Sogabe et al.

[45] Date of Patent: **** Nov. 17, 1992**

[54] **HEADPHONE**

[75] Inventors: **Takashi Sogabe; Yoshiaki Kumagai,**
both of Tokyo, Japan

[73] Assignee: **Sony Corporation,** Tokyo, Japan

[**] Term: **14 Years**

[21] Appl. No.: **560,339**

[22] Filed: **Jul. 31, 1990**

[30] **Foreign Application Priority Data**

Feb. 28, 1990 [JP] Japan 2-6394

[52] U.S. Cl. **D14/205; D14/223**

[58] Field of Search **D14/205-207,**
D14/223, 299; 381/25, 158, 183, 189, 68;
379/430, 444; 181/129

[56] **References Cited**

U.S. PATENT DOCUMENTS

3,984,885 10/1976 Yoshimura et al. 381/158
4,499,593 2/1985 Antle 381/25

OTHER PUBLICATIONS

Dealer Scope Merchandising, Mar. 1988, p. 83, Model Lt-200 Earphone.

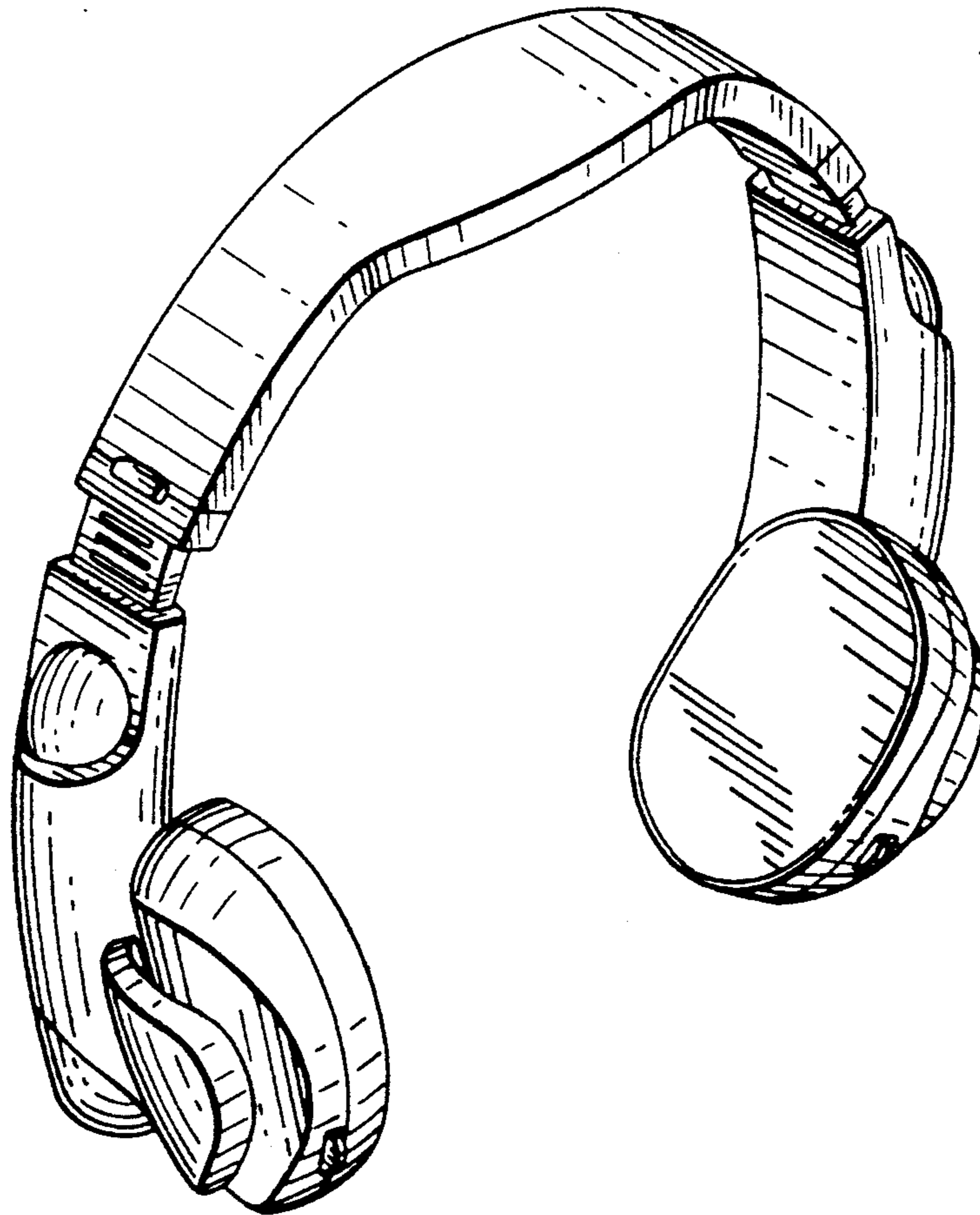
Primary Examiner—Melvin B. Feifer
Attorney, Agent, or Firm—Lewis H. Eslinger; Jay H. Maioli

[57] **CLAIM**

The ornamental design for a headphone, as shown and described.

DESCRIPTION

FIG. 1 is a top, front and left-side perspective view of a headphone showing our new design;
FIG. 2 is a top, front and left-side perspective view thereof, shown with head belt partially extended;
FIG. 3 is a front elevational view thereof;
FIG. 4 is a rear elevational view thereof;
FIG. 5 is a left-side elevational view thereof;
FIG. 6 is a right-side elevational view thereof;
FIG. 7 is a top plan view thereof; and,
FIG. 8 is a bottom plan view thereof.



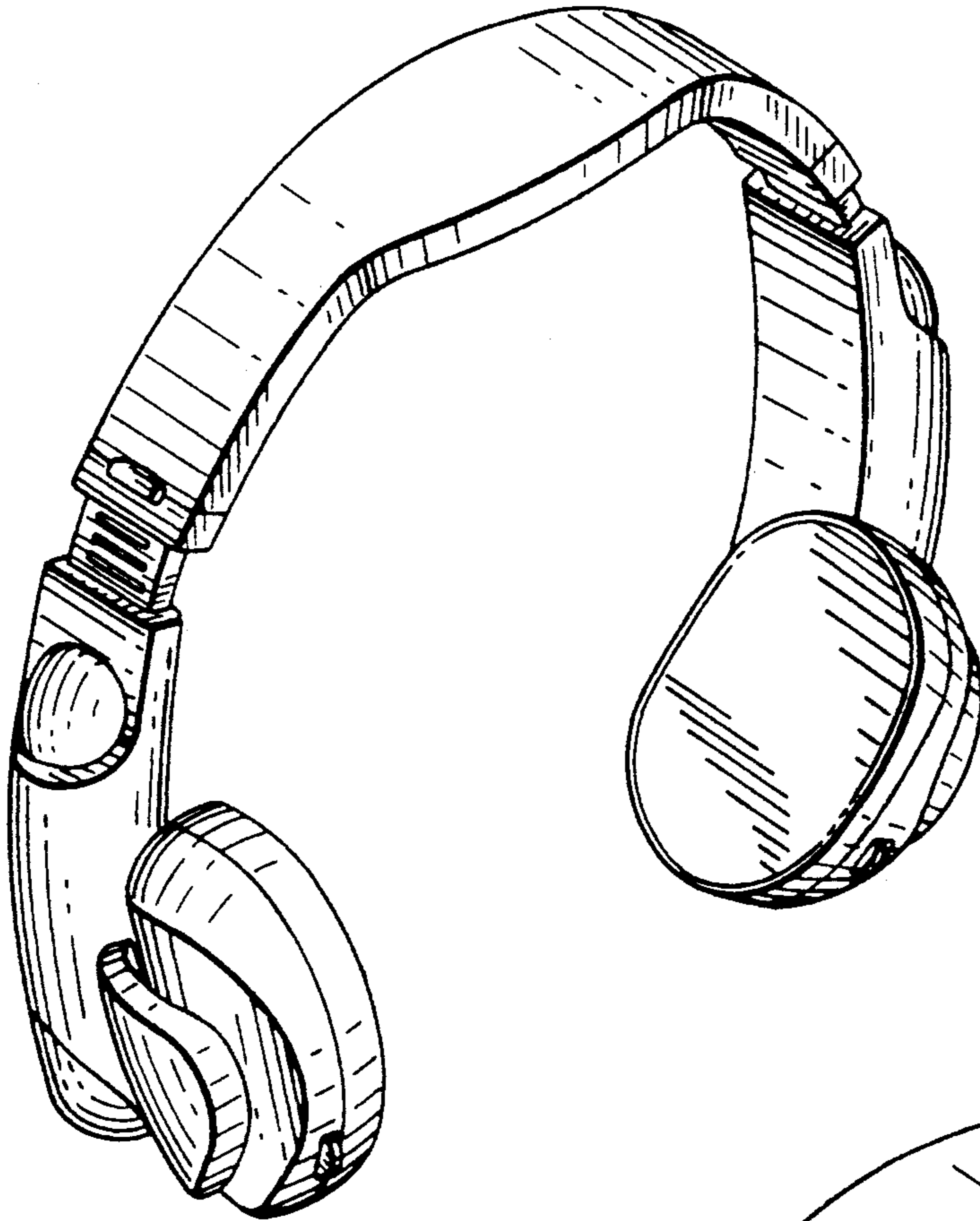


FIG. 1

FIG. 2

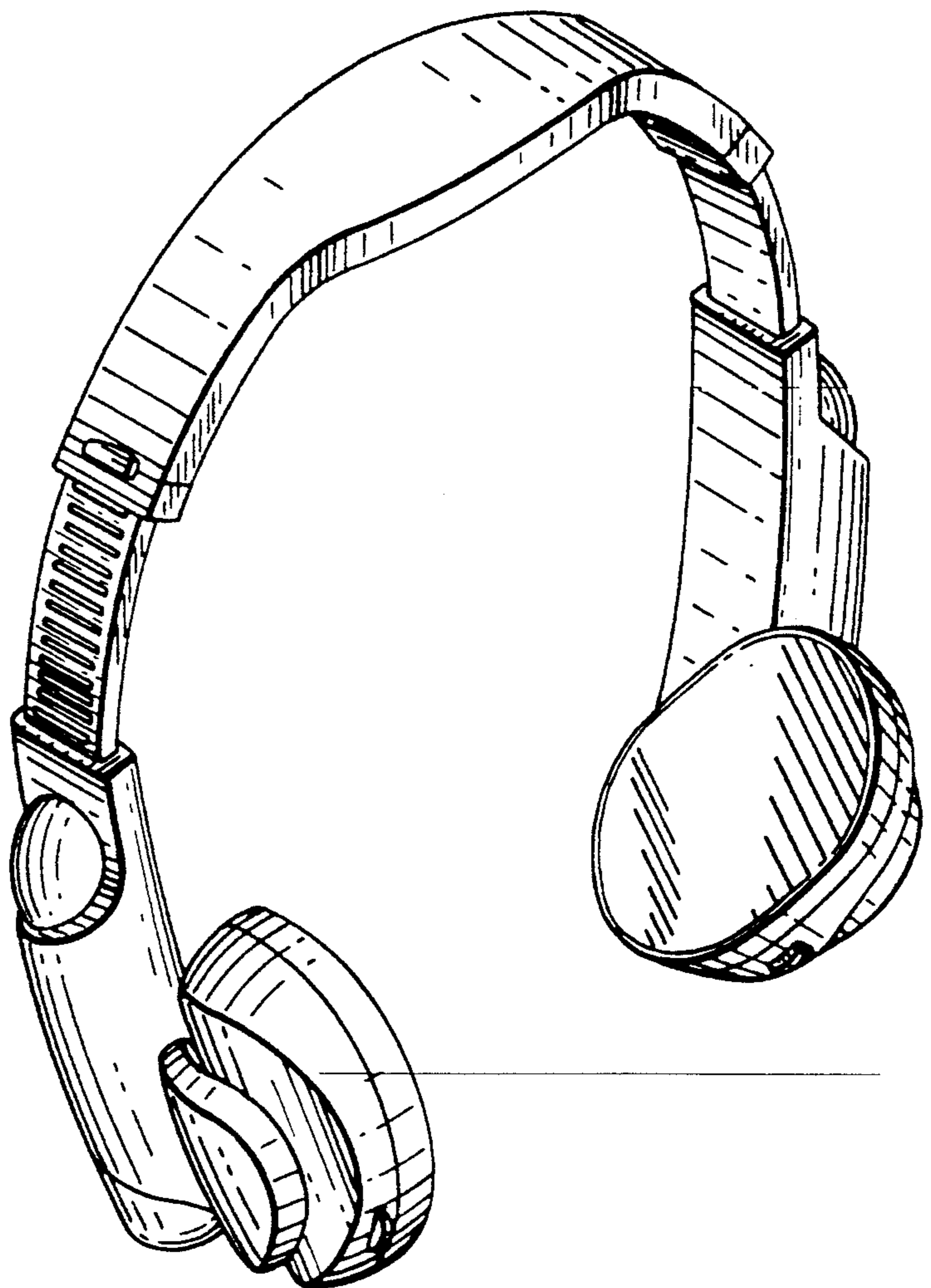


FIG. 5

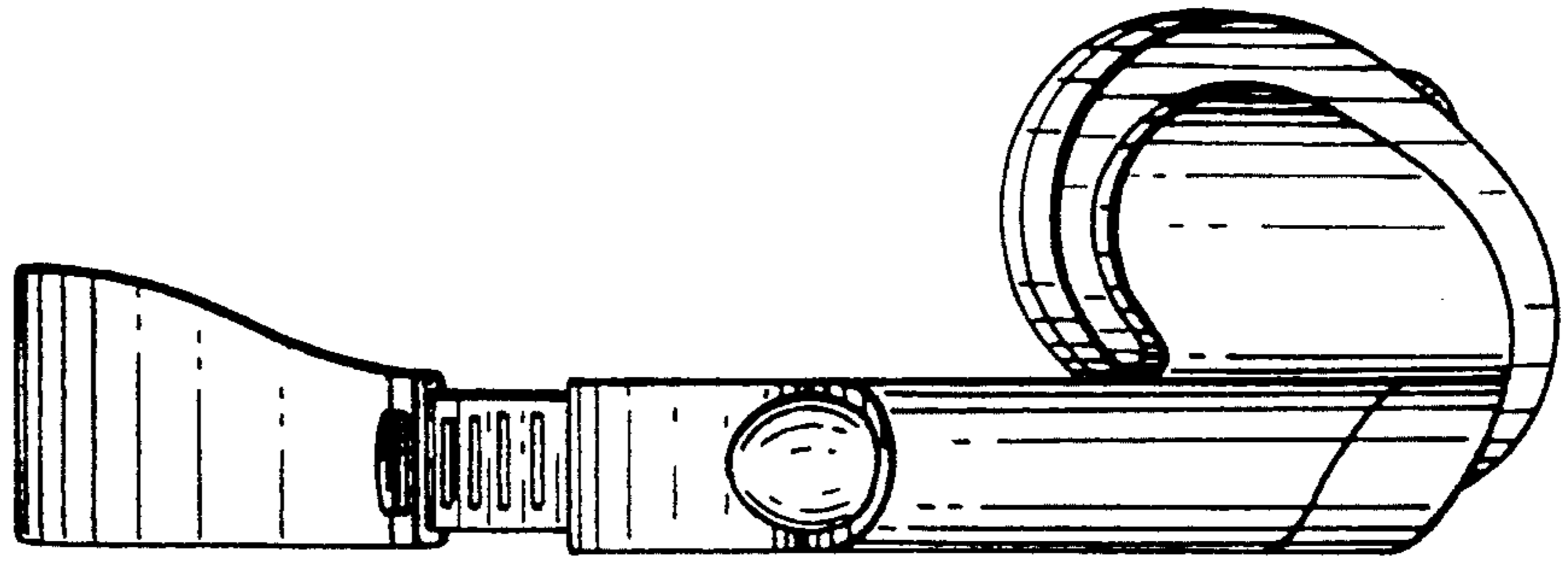


FIG. 3

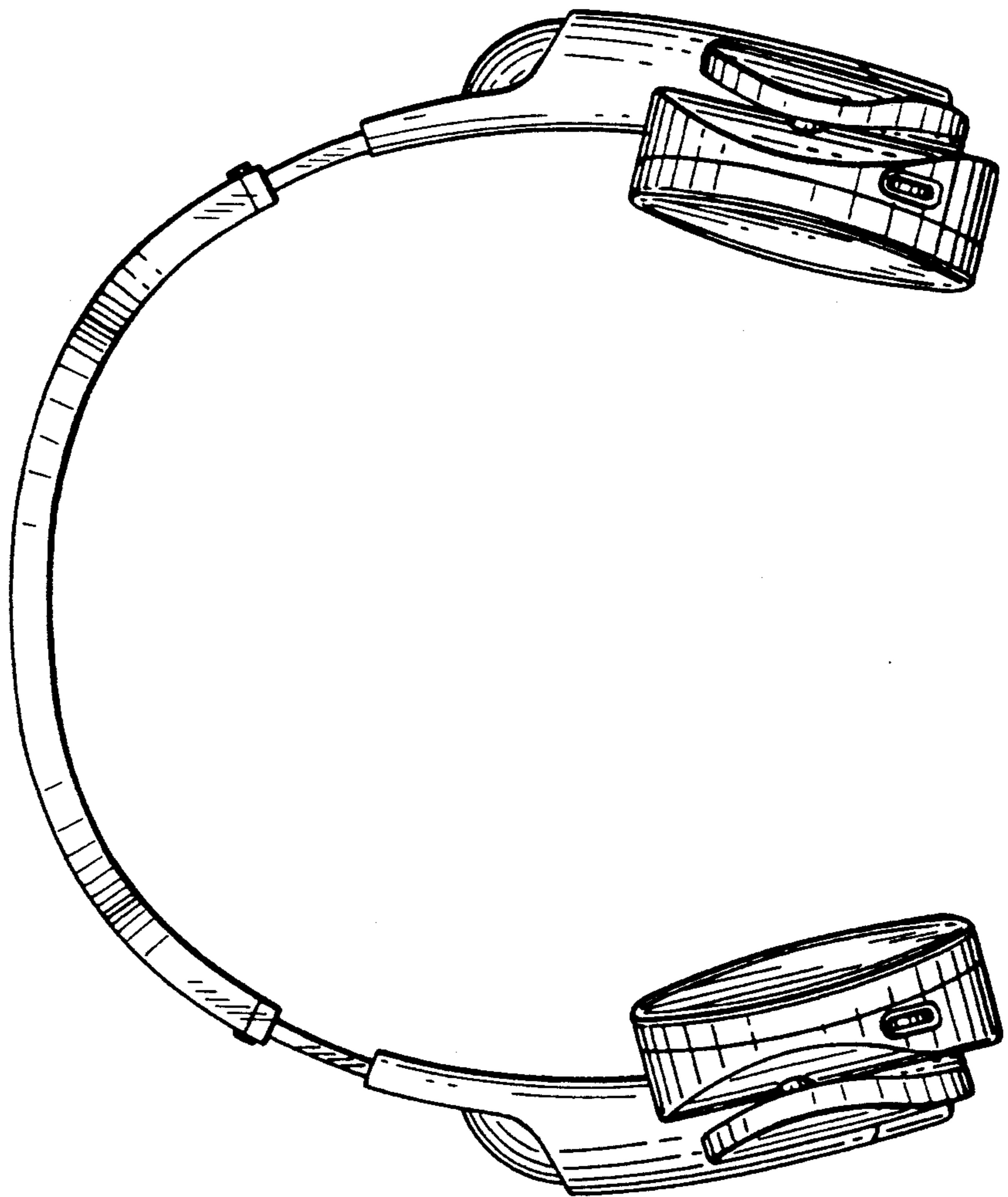


FIG. 4

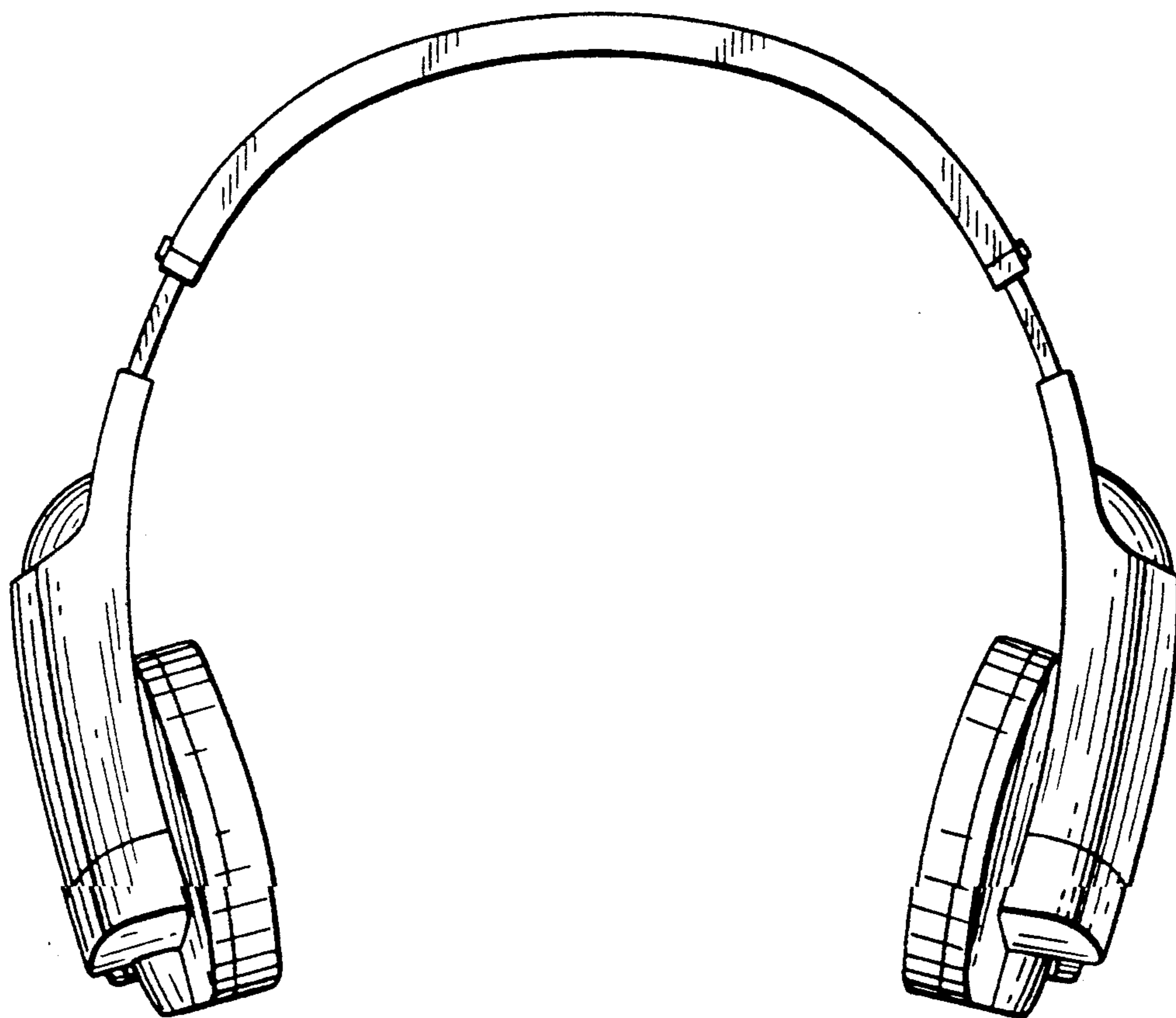


FIG. 8

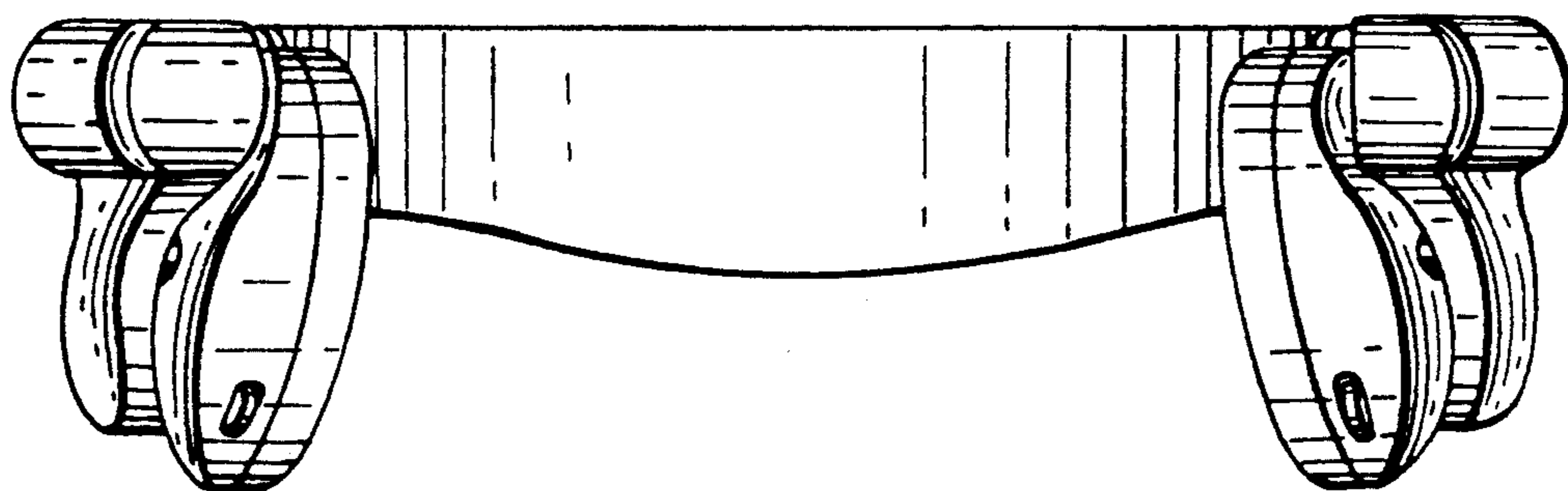


FIG. 6

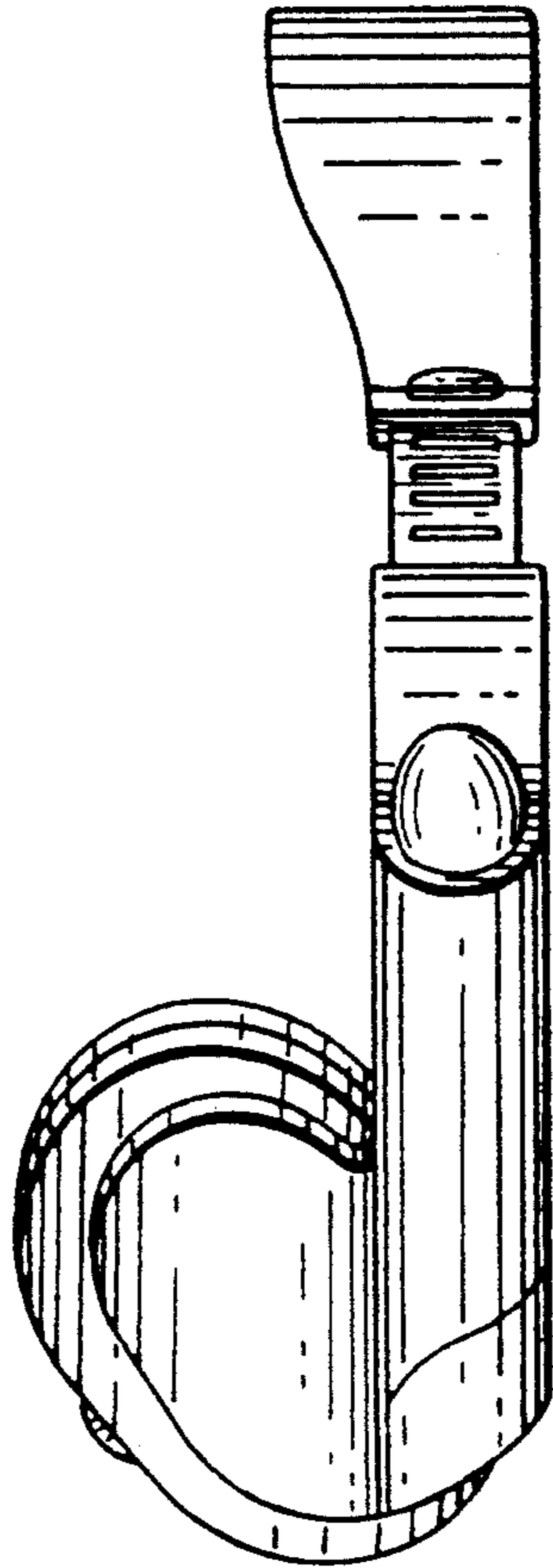


FIG. 7

