



US00D331058S

# United States Patent [19]

[11] Patent Number: **Des. 331,058**

Morales

[45] Date of Patent: **\*\* Nov. 17, 1992**

[54] TV REMOTE CONTROL UNIT

[75] Inventor: **Fernando Morales**, Reston, Va.

[73] Assignee: **TV Answer, Inc.**, Del.

[\*\*] Term: **14 Years**

[21] Appl. No.: **564,166**

[22] Filed: **Aug. 8, 1990**

[52] U.S. Cl. .... **D14/218**

[58] Field of Search ..... **D14/217, 218, 299, 114, D14/116; D13/168; 455/151, 352-355; 358/194.1**

[56] **References Cited**

**U.S. PATENT DOCUMENTS**

D. 285,431 9/1986 Hicks ..... D14/218 X

- D. 298,749 11/1988 Yant ..... D13/168
- D. 310,219 8/1990 Carlile ..... D14/218 X
- D. 315,901 4/1991 Knowles ..... D14/116
- D. 320,013 9/1991 Siemiatkowski et al. .... D14/116

*Primary Examiner*—Theodore M. Shooman

[57] **CLAIM**

The ornamental design of a TV remote control unit, as shown and described.

**DESCRIPTION**

FIG. 1 is a top, front and right side perspective view of a TV remote control unit showing my new design; FIG. 2 is a right side elevational view thereof, the left side being a mirror image; FIG. 3 is a rear elevational view thereof; FIG. 4 is a front elevational view thereof; and, FIG. 5 is a bottom plan view thereof.

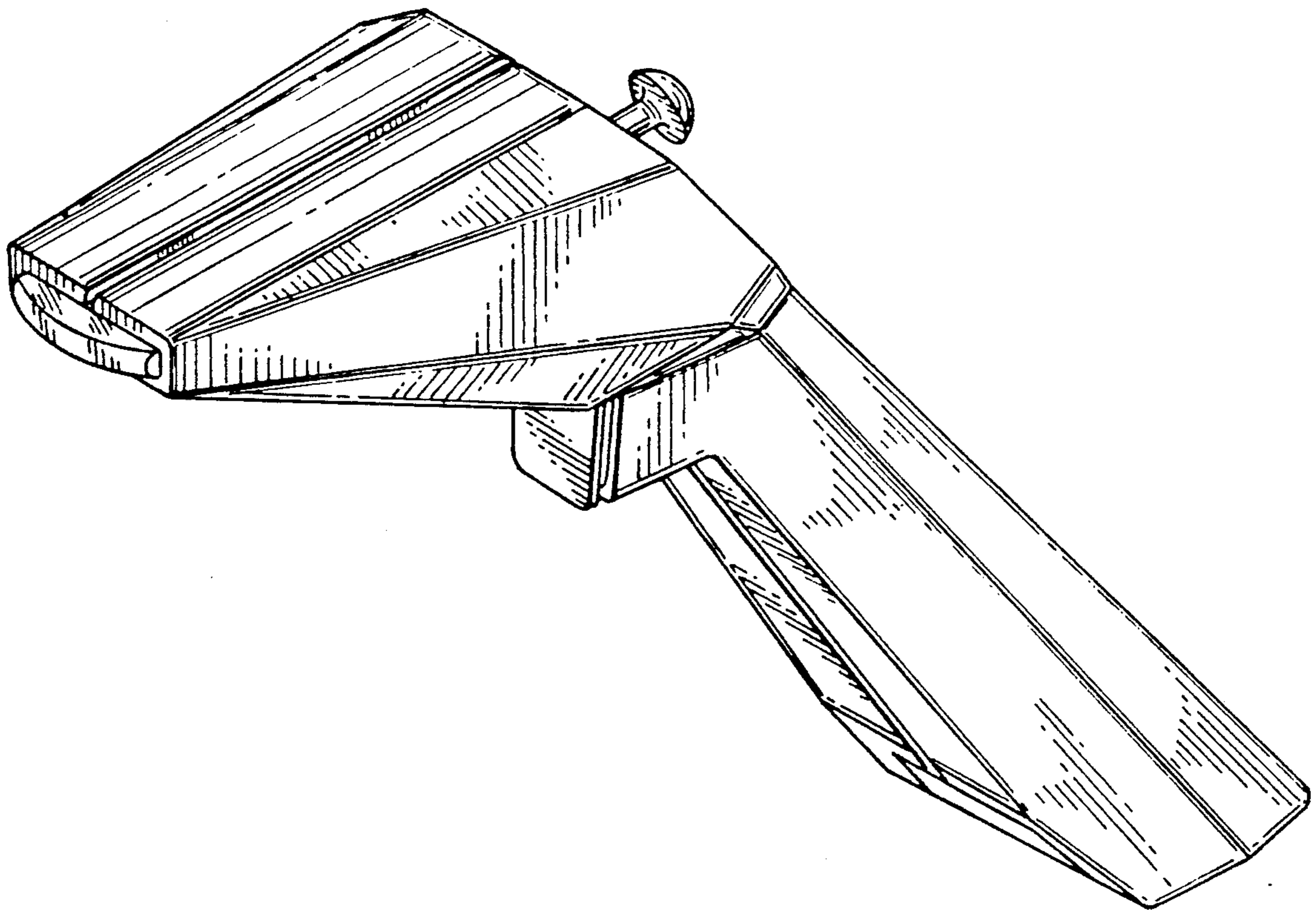


FIG. 1

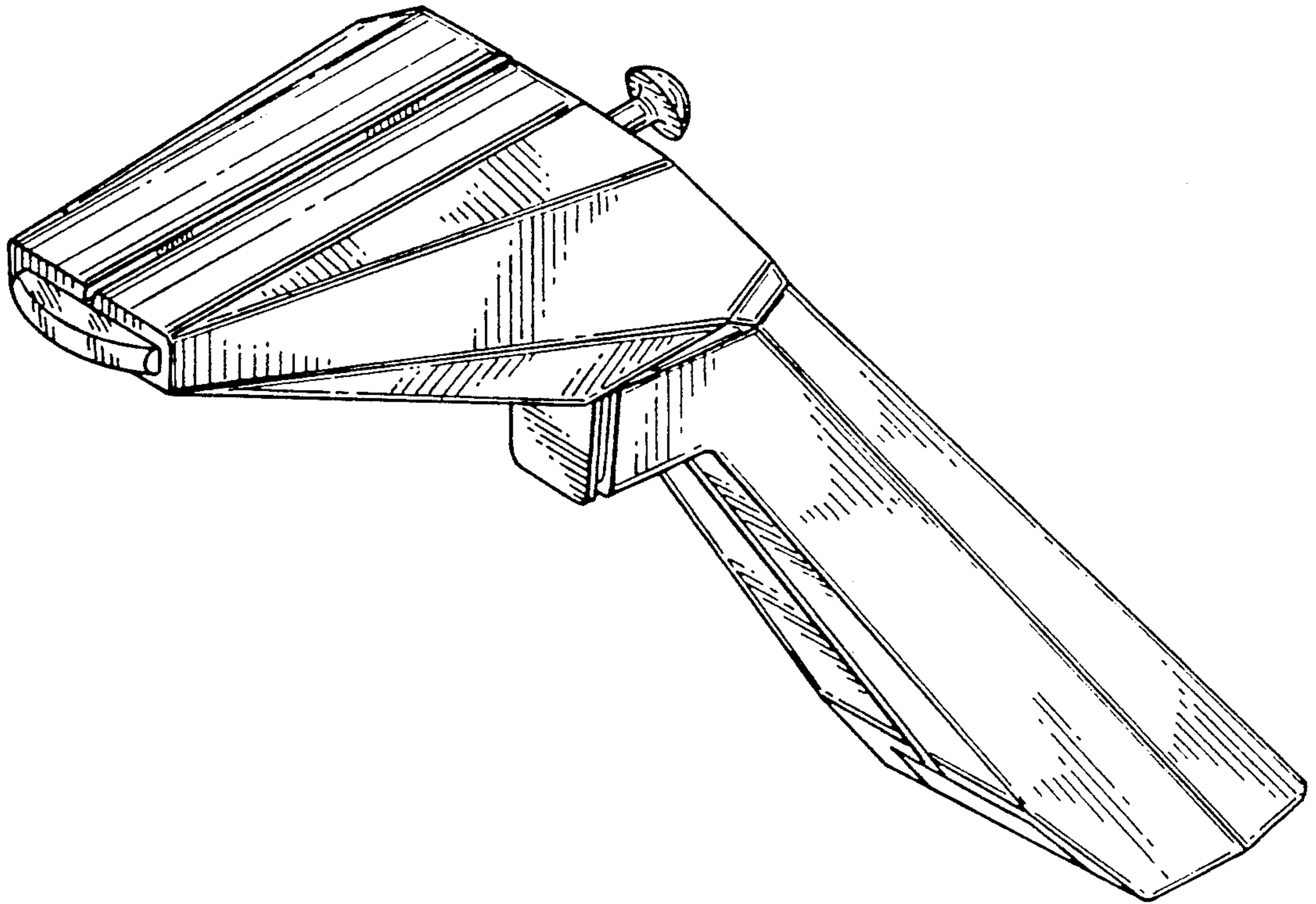
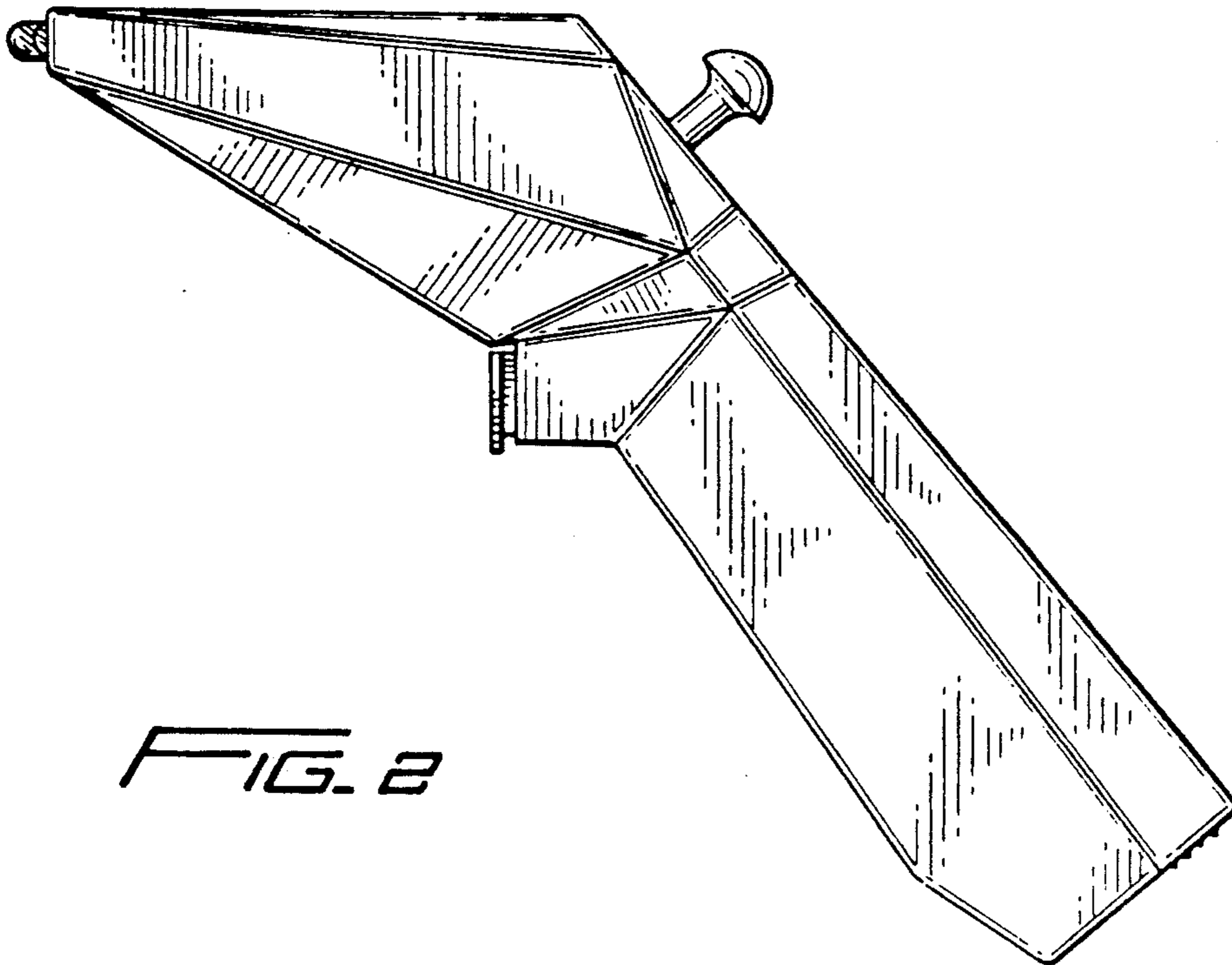


FIG. 2



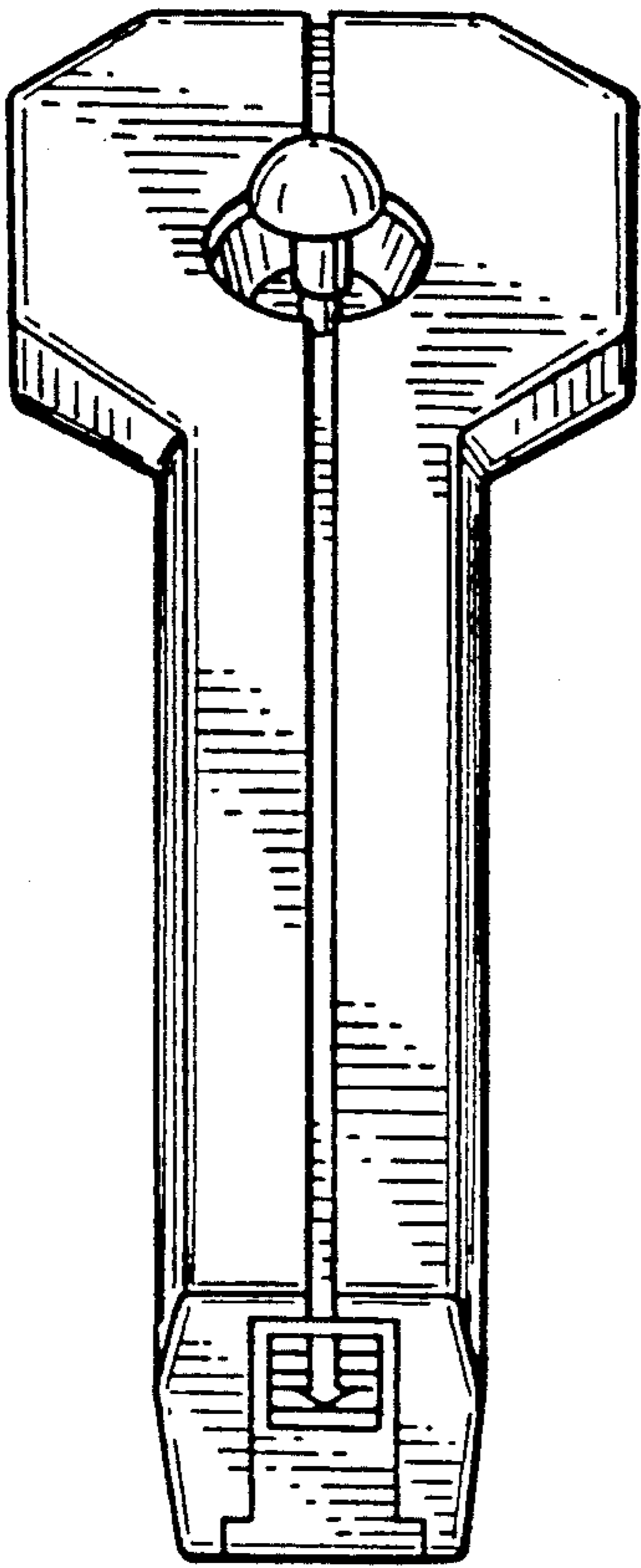


FIG. 3

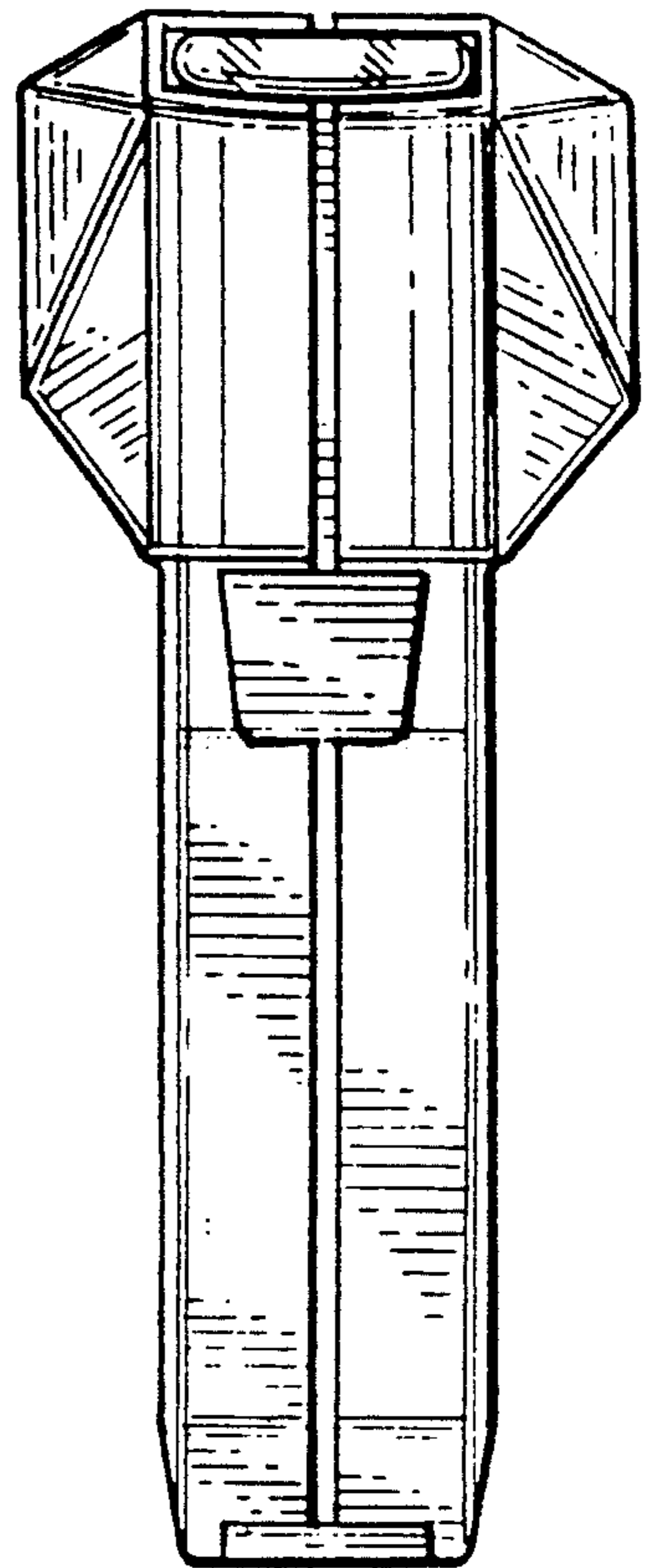


FIG. 4

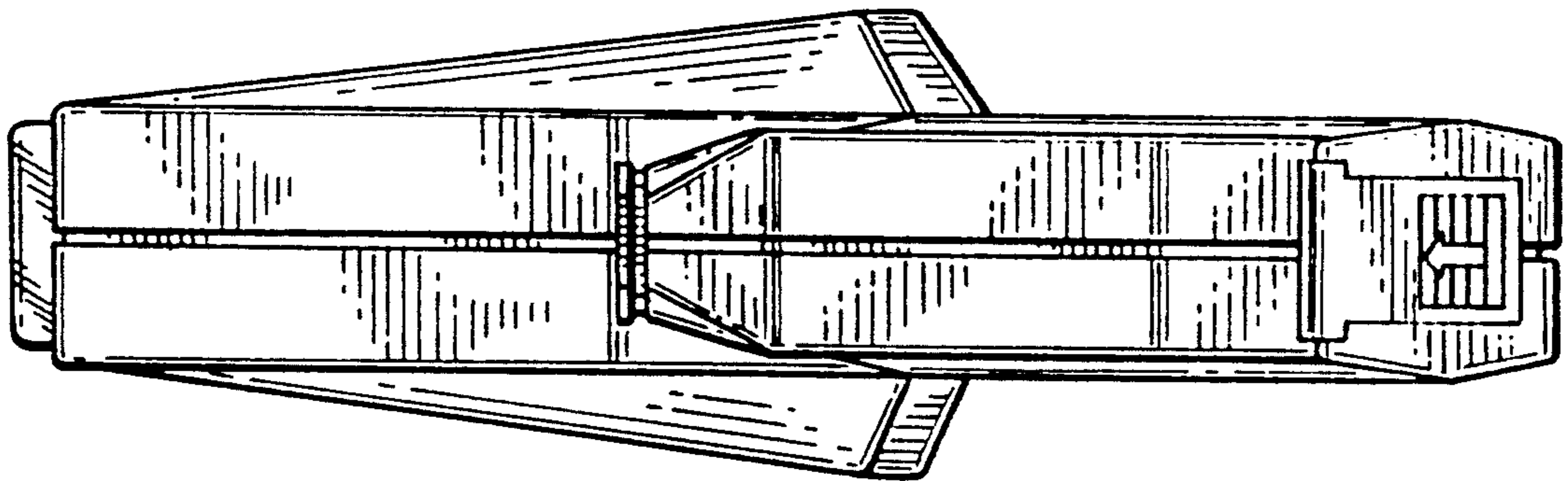


FIG. 5