



US00D331056S

# United States Patent [19] Yu

[11] Patent Number: **Des. 331,056**

[45] Date of Patent: **\*\* Nov. 17, 1992**

- [54] TELEPHONE SET
- [75] Inventor: **Him-Chi Yu**, North Point, Hong Kong
- [73] Assignee: **Picotronics Industries Limited**, Kowloon, Hong Kong
- [\*\*] Term: **14 Years**
- [21] Appl. No.: **688,340**
- [22] Filed: **Apr. 22, 1991**
- [30] Foreign Application Priority Data
  - Oct. 22, 1990 [GB] United Kingdom ..... 2010410
- [52] U.S. Cl. .... **D14/151; D14/148; D14/248**
- [58] Field of Search ..... D14/149, 248, 151, 148; 379/436, 433, 440

D. 313,800 1/1991 Appleby ..... D14/151

### FOREIGN PATENT DOCUMENTS

897533 4/1972 Canada ..... D14/151

### OTHER PUBLICATIONS

*B. A. Pargh, Catalog 1987, ©1987: at p. 281 Pactal Trimlite Plus Phone; Order No. P656RWPAT.*

*Primary Examiner—Horace B. Fay, Jr.  
Attorney, Agent, or Firm—Leydig, Voit & Mayer*

### [57] CLAIM

The ornamental design for a telephone set, as shown and described.

### DESCRIPTION

FIG. 1 is a top plan views of a telephone set showing my new design in cradled relationship;

FIGS. 2 and 3 are respectively front end and rear end elevational views of the telephone set in cradled position;

FIG. 4 is a right side elevational view of the cradled telephone set;

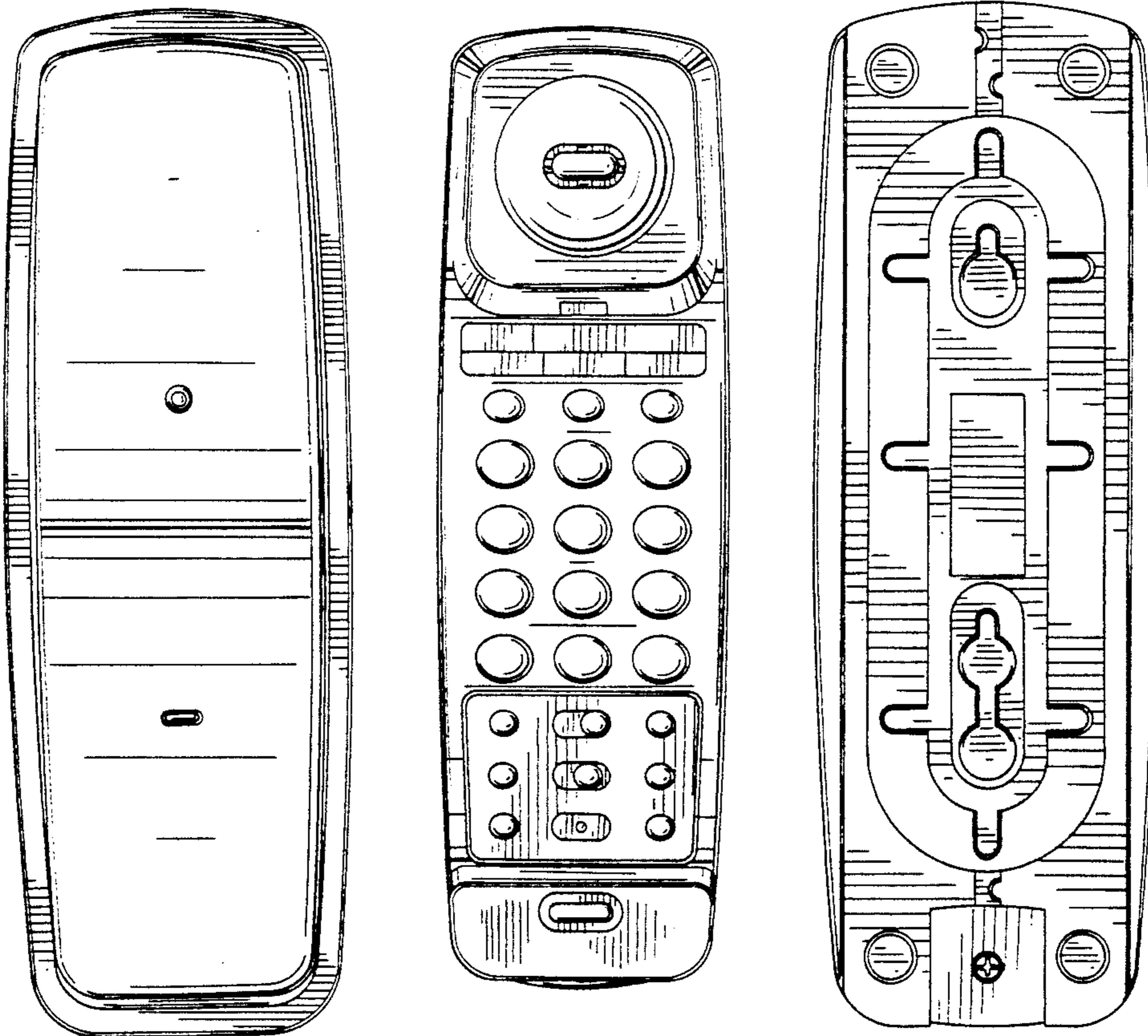
FIG. 5 is a left side elevational view of the handset alone;

FIGS. 6 and 7 are respectively front and rear side elevational views thereof; and,

FIGS. 8 and 9 are respectively front and rear elevational views of the base unit thereof.

### [56] References Cited U.S. PATENT DOCUMENTS

- D. 202,787 11/1965 Dreyfuss et al. .... D14/148
- D. 202,788 11/1965 Dreyfuss et al. .... D14/248
- D. 262,255 12/1981 Murawski ..... D14/149 X
- D. 275,853 10/1984 Marshall ..... D14/149
- D. 280,816 10/1985 Aldrich ..... D14/248
- D. 287,964 1/1987 Perkins ..... D14/149
- D. 303,383 9/1989 Reichenstein ..... D14/149 X
- D. 305,120 12/1989 Gariano ..... D14/150 X
- D. 311,917 11/1990 de Arri ..... D14/151



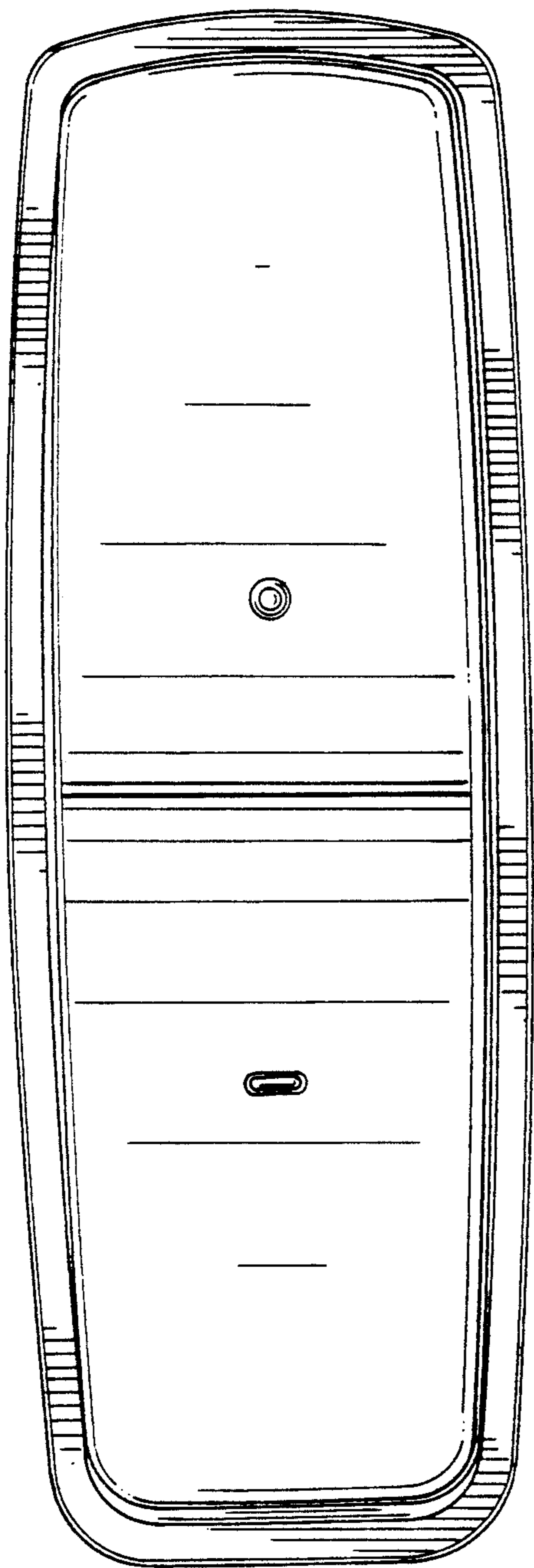


FIG. 1

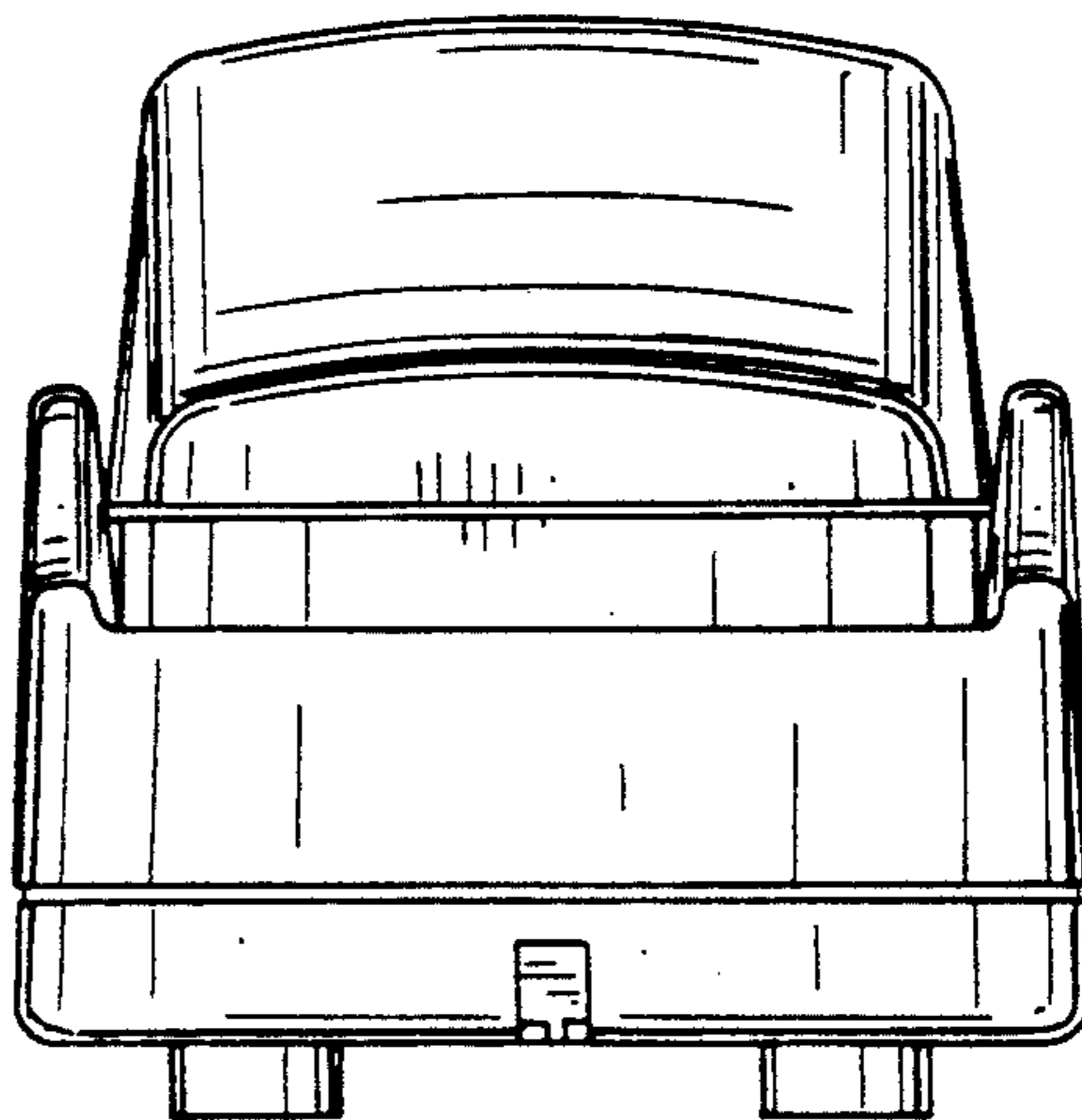


FIG. 2

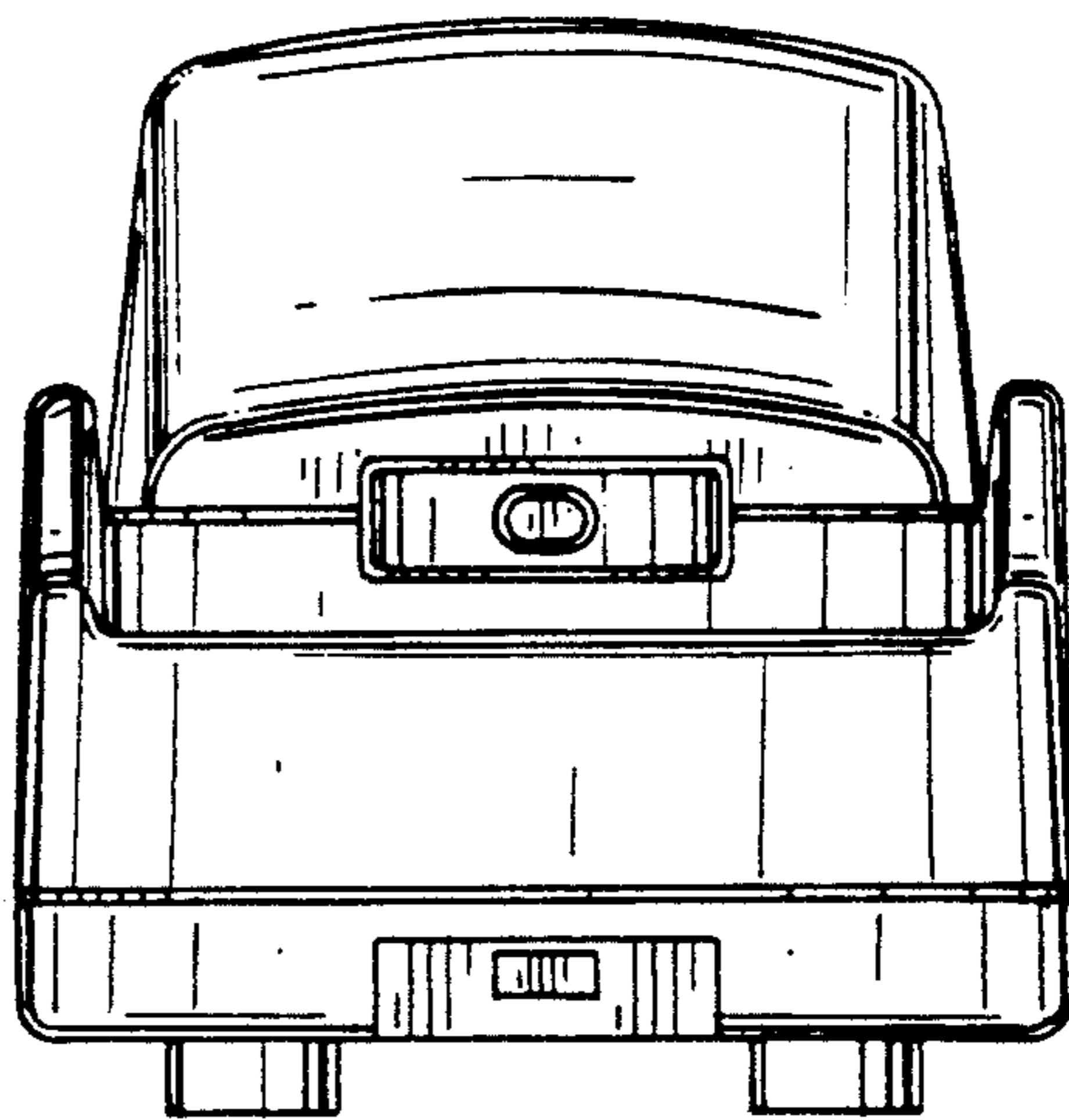


FIG. 3

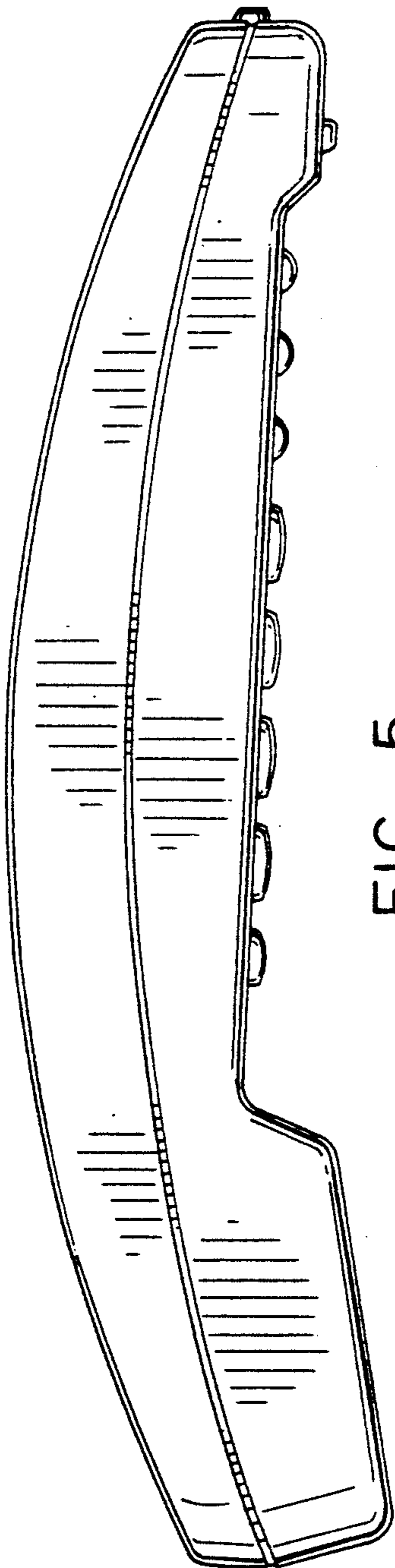


FIG. 5

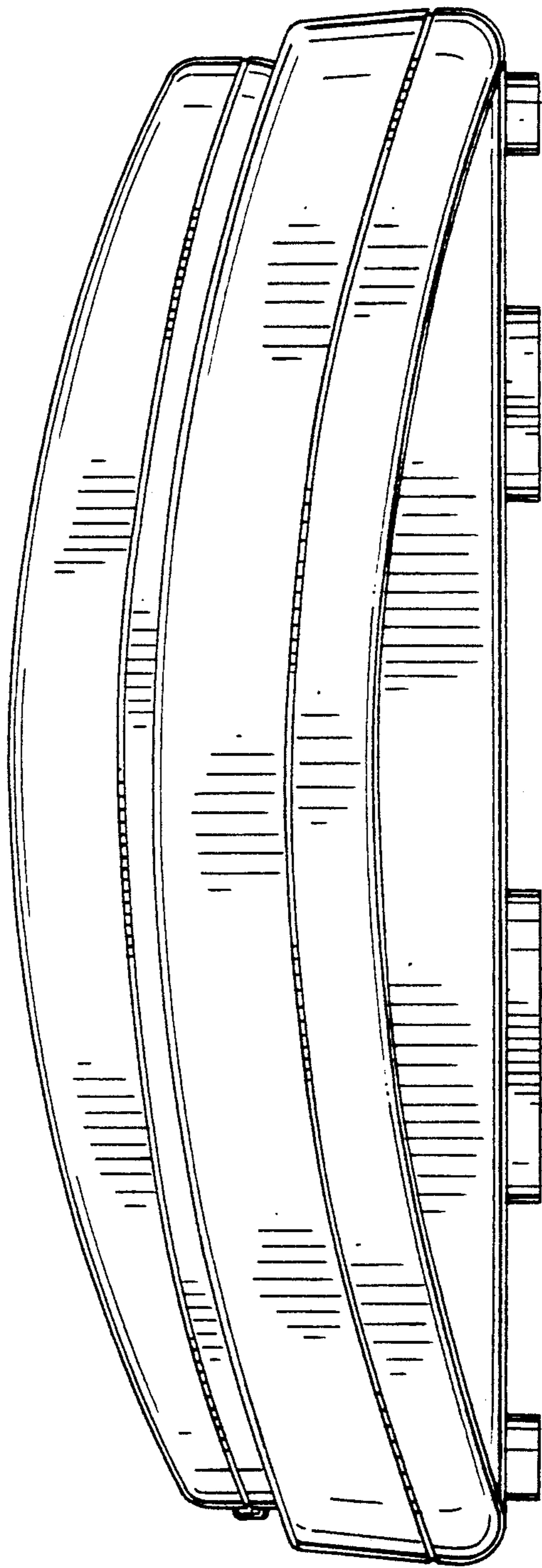


FIG. 4

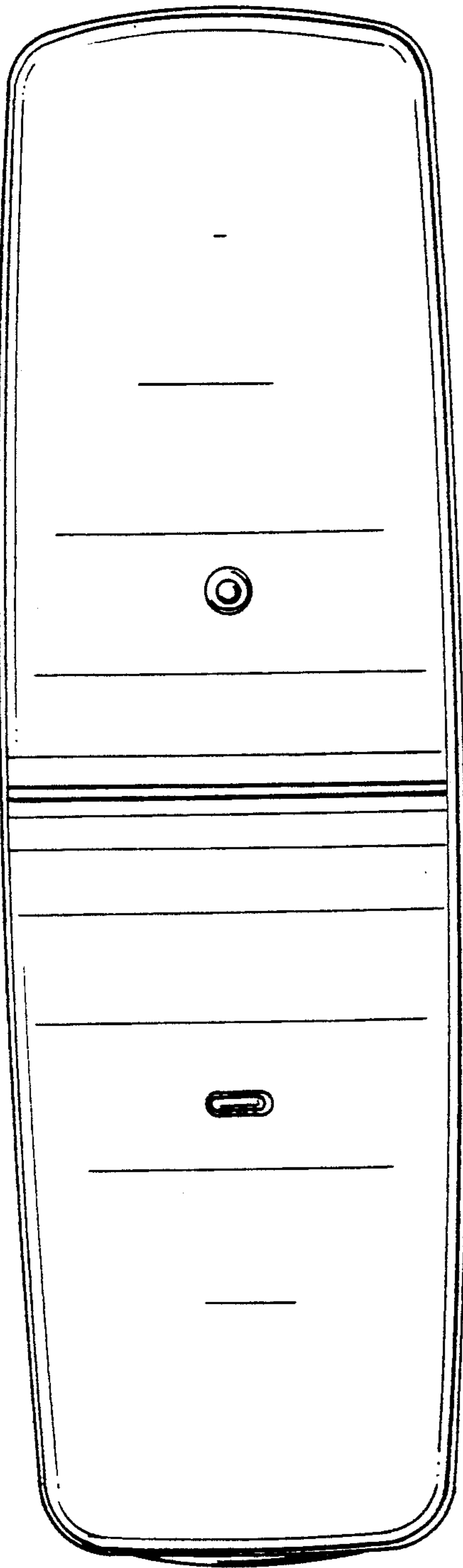


FIG. 7

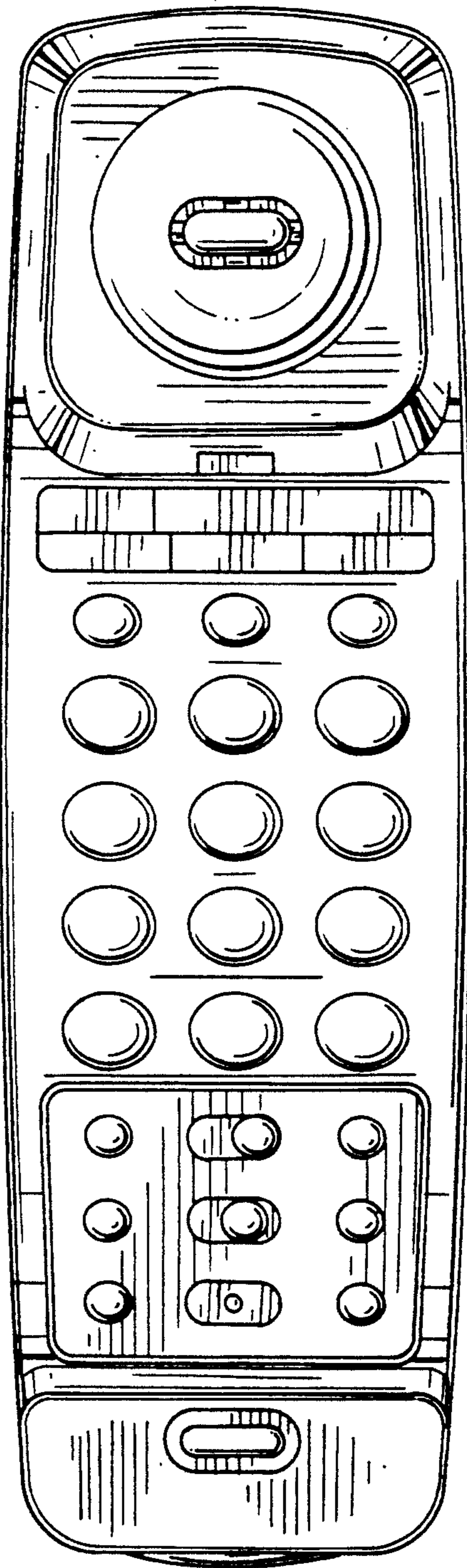


FIG. 6

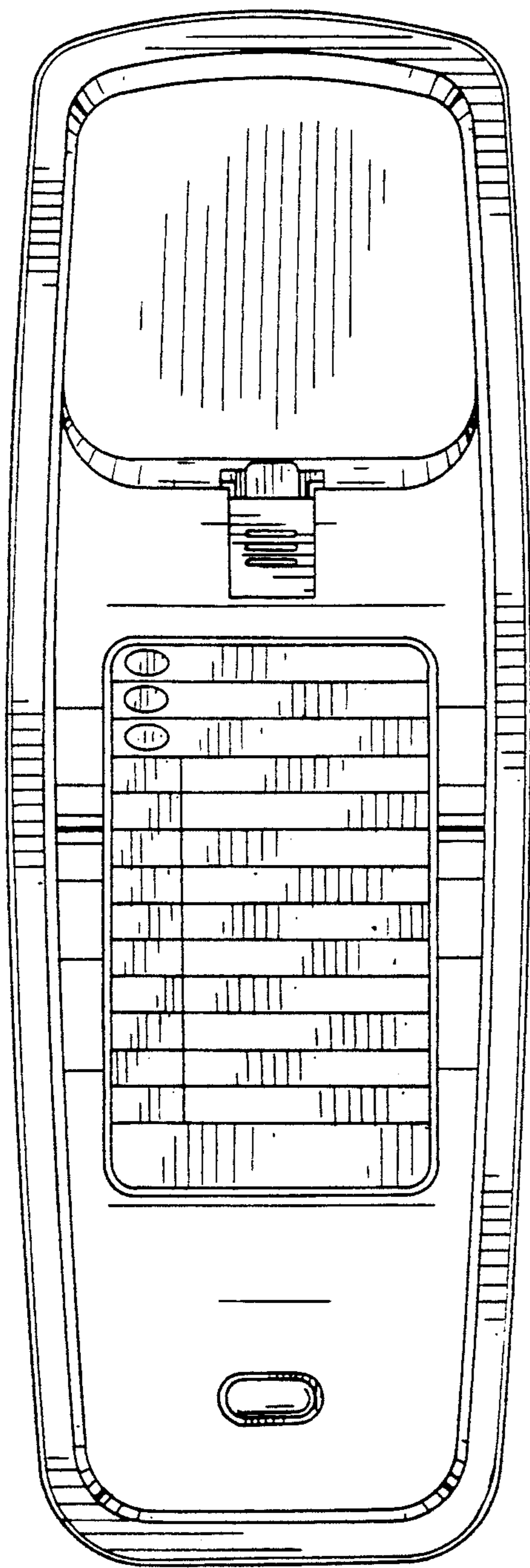


FIG. 8

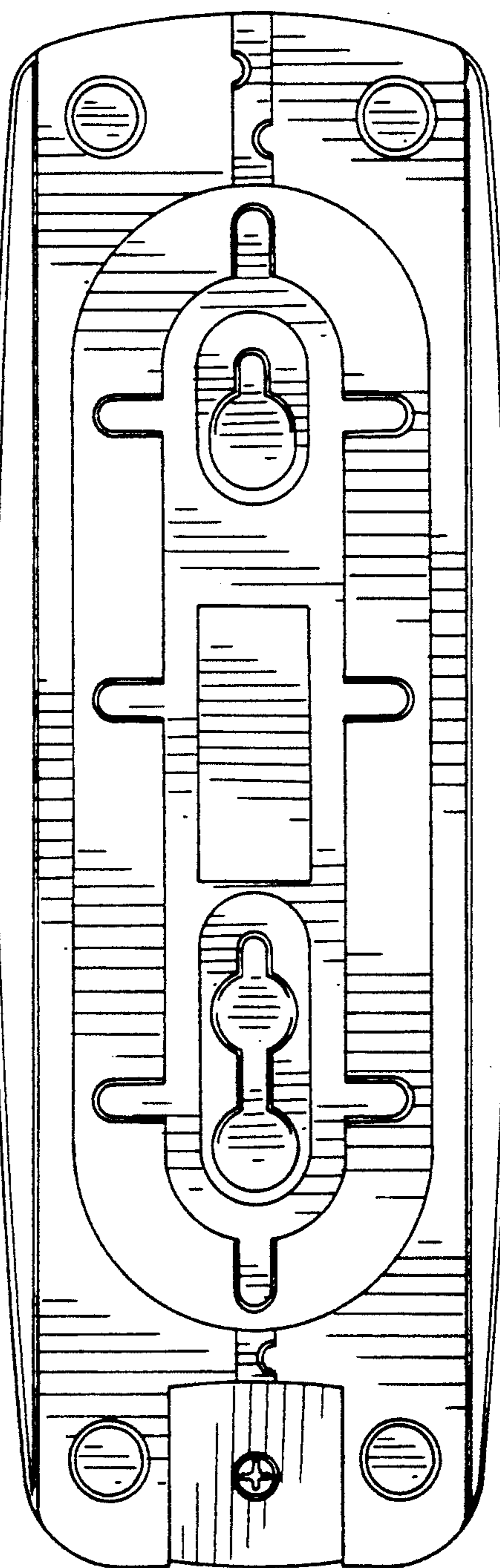


FIG. 9