



US00D331054S

United States Patent [19]

[11] Patent Number: **Des. 331,054**

Brahler

[45] Date of Patent: **** Nov. 17, 1992**

[54] **CONFERENCE BOX**

[76] Inventor: **Helmut Brahler**, Kapellenweg 15,
5330 Königswinter 21, Fed. Rep. of
Germany

[**] Term: **14 Years**

[21] Appl. No.: **413,563**

[22] Filed: **Sep. 28, 1989**

[52] U.S. Cl. **D14/124; D14/159;**
D14/299

[58] Field of Search **D14/124, 137, 155, 157,**
D14/159, 188, 258, 265, 299; 455/73, 89-90,
128

[56] **References Cited**

U.S. PATENT DOCUMENTS

D. 205,139 6/1966 Joslow D14/299
D. 296,100 6/1988 Kubota D14/228

D. 309,734 8/1990 Mackin D14/167 X
D. 314,764 2/1991 Rondel et al. D14/124
D. 316,412 4/1991 Van Noy D14/158

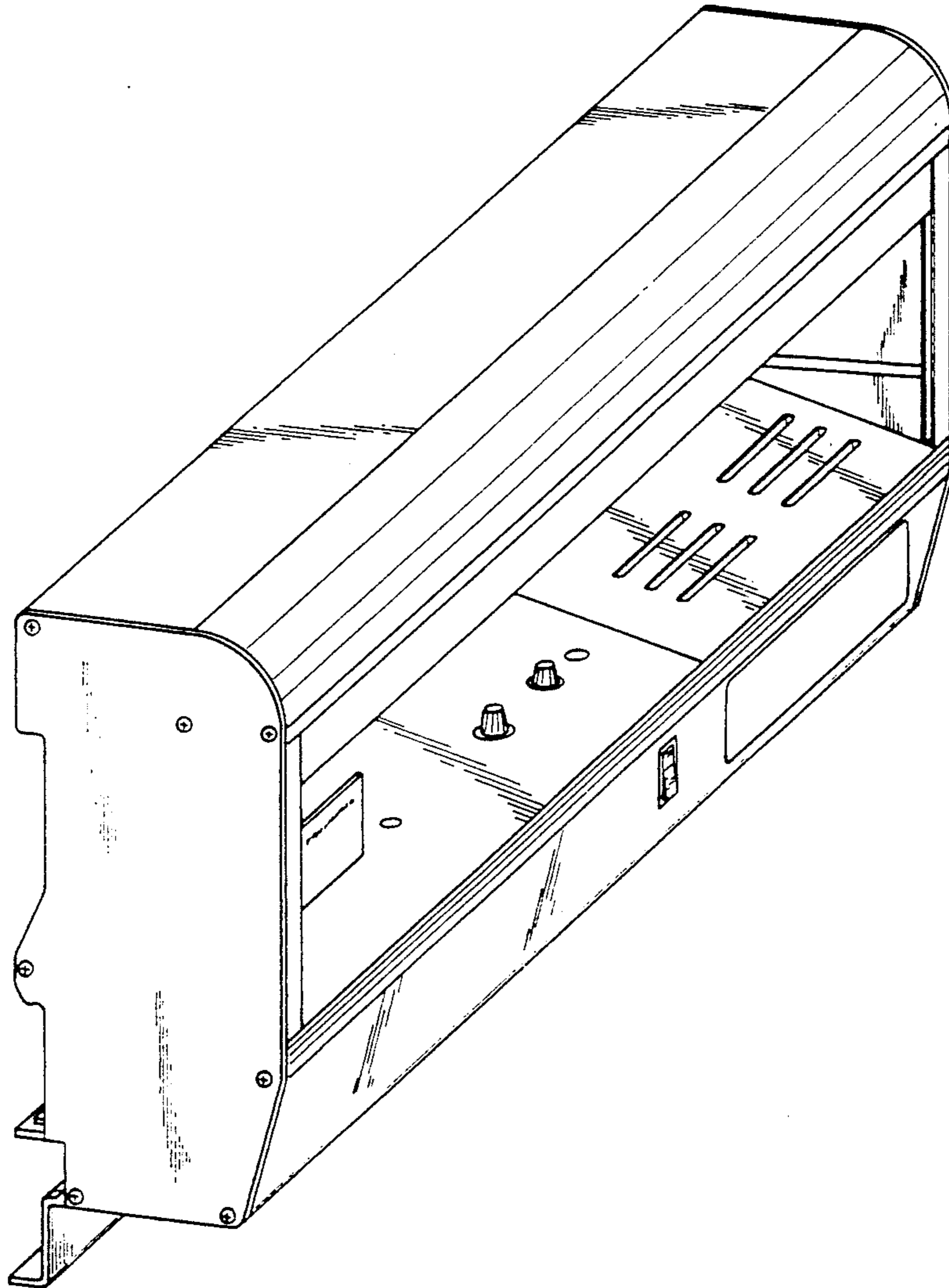
Primary Examiner—Theodore M. Shooman
Attorney, Agent, or Firm—Lowe, Price, LeBlanc &
Becker

[57] **CLAIM**

The ornamental design for a conference box, as shown
and described.

DESCRIPTION

FIG. 1 is a top, front, and left side perspective of a
conference box showing my new design;
FIG. 2 is a front elevational view thereof;
FIG. 3 is a cross-sectional view thereof taken along the
line 3—3 in FIG. 2;
FIG. 4 is a rear elevational view thereof;
FIG. 5 is a right side elevational view thereof; and,
FIG. 6 is a bottom plan view thereof.



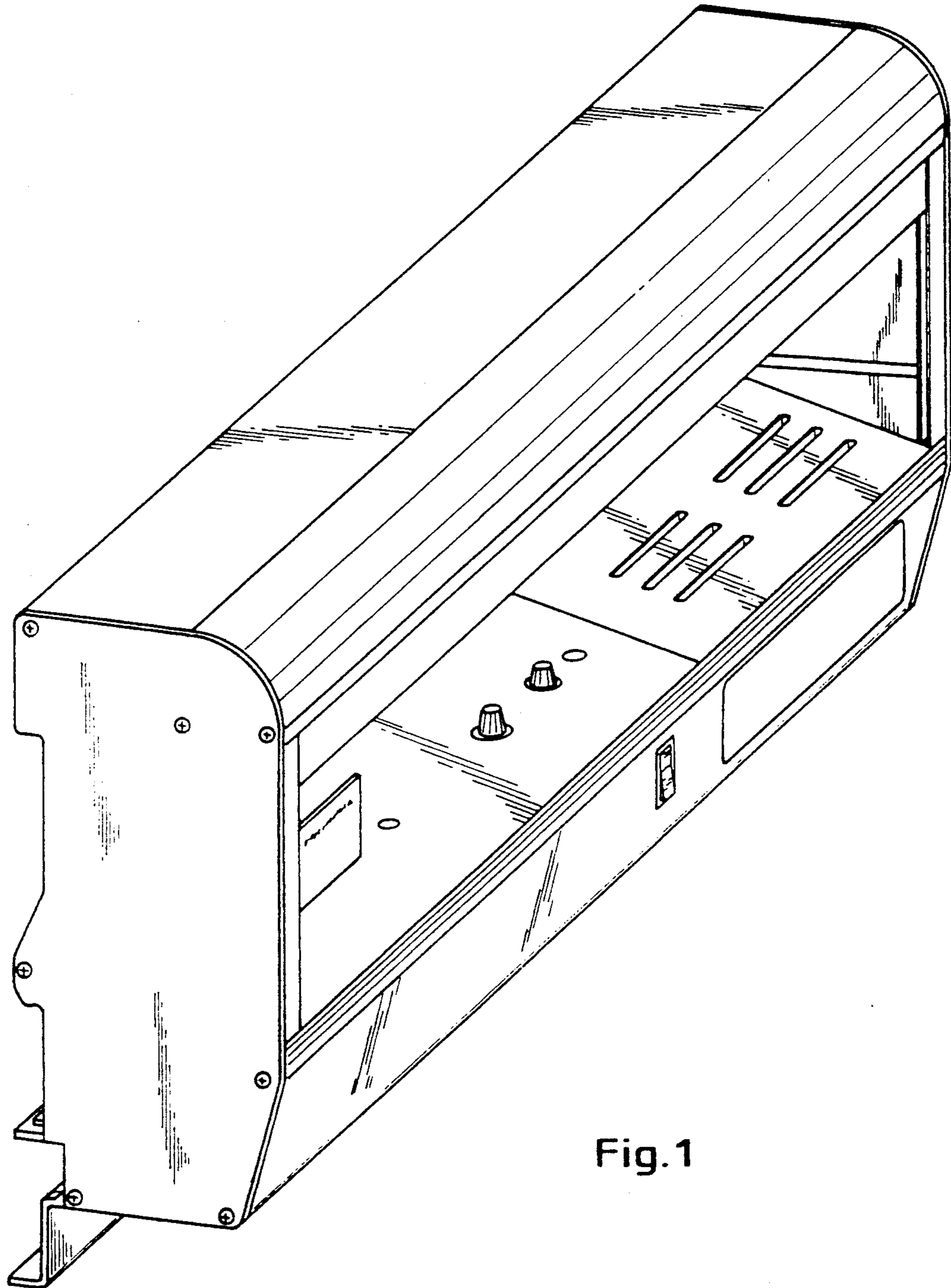


Fig.1

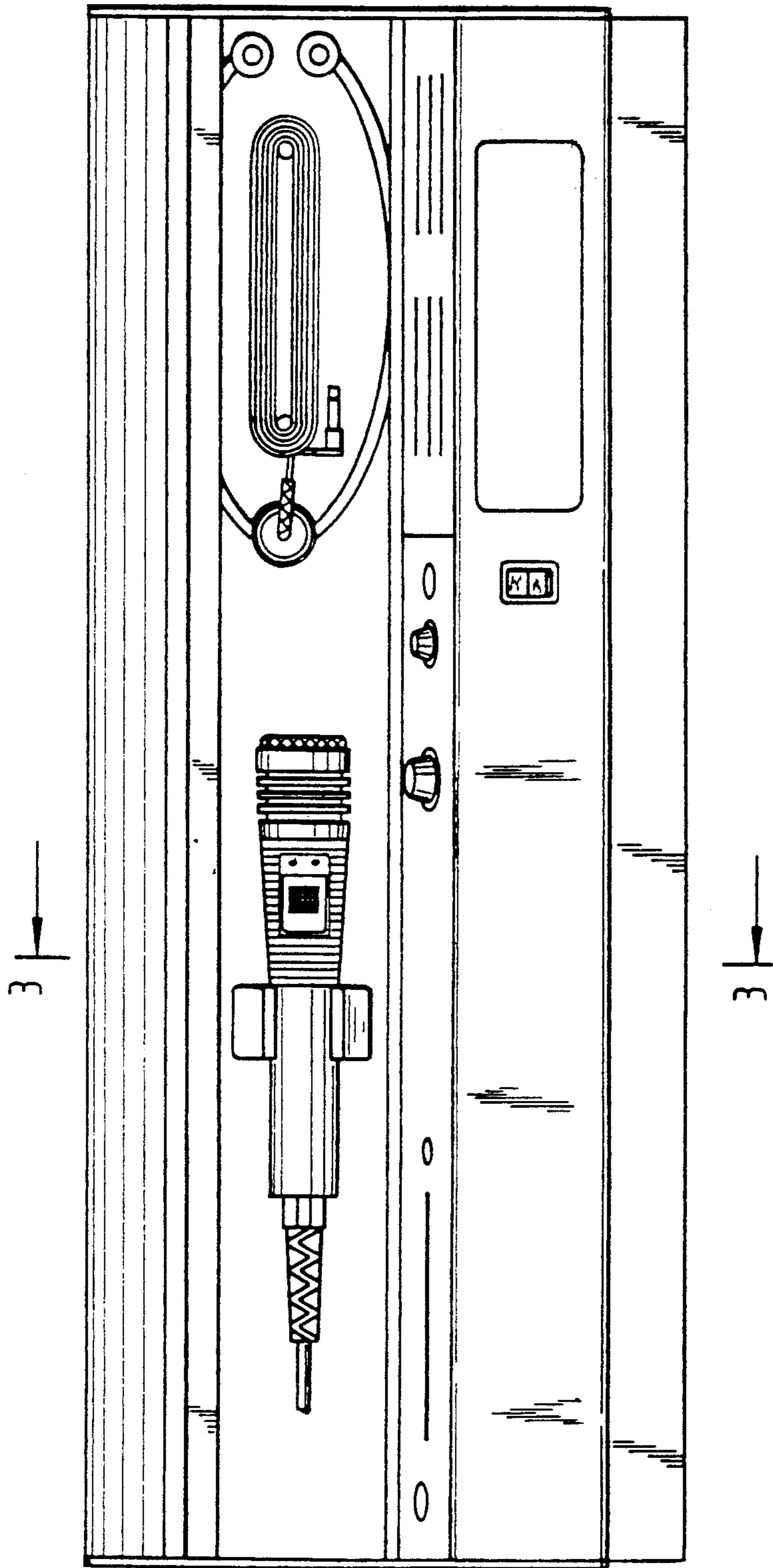


Fig. 2

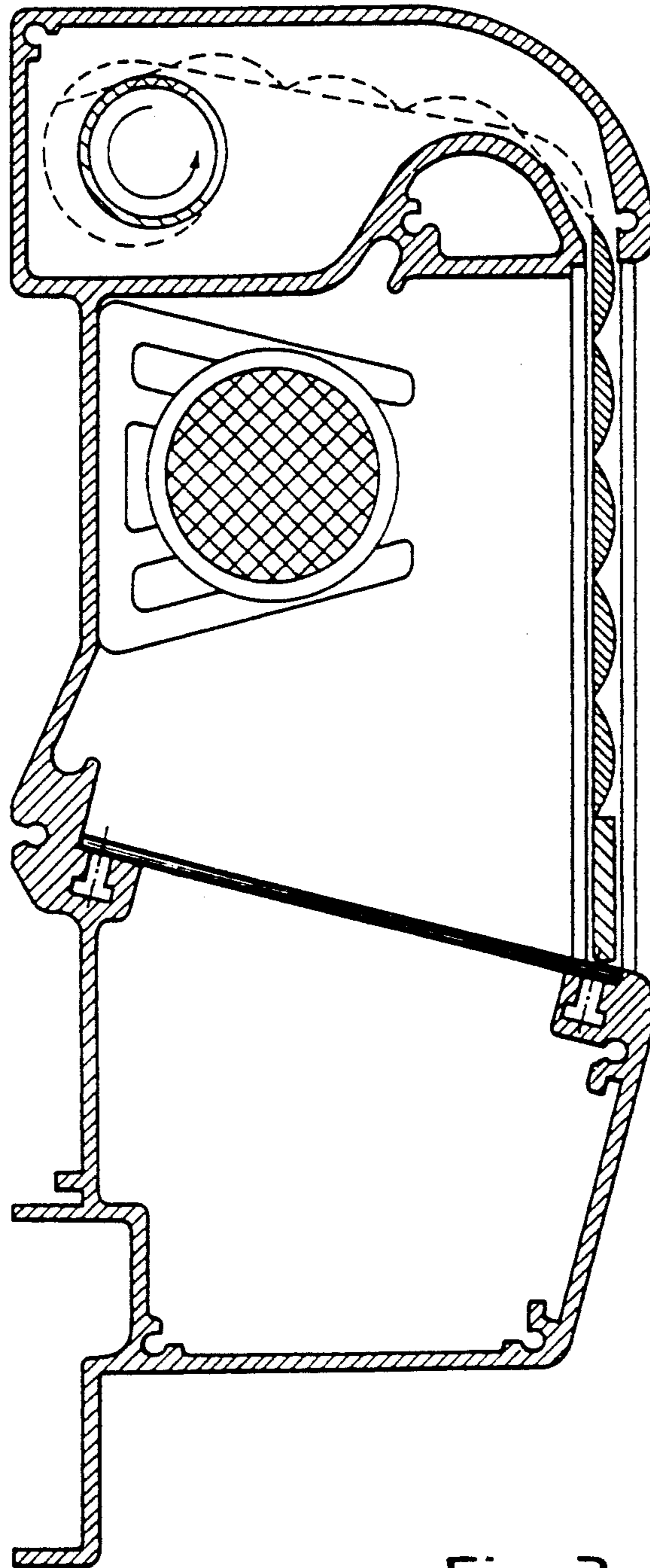


Fig. 3

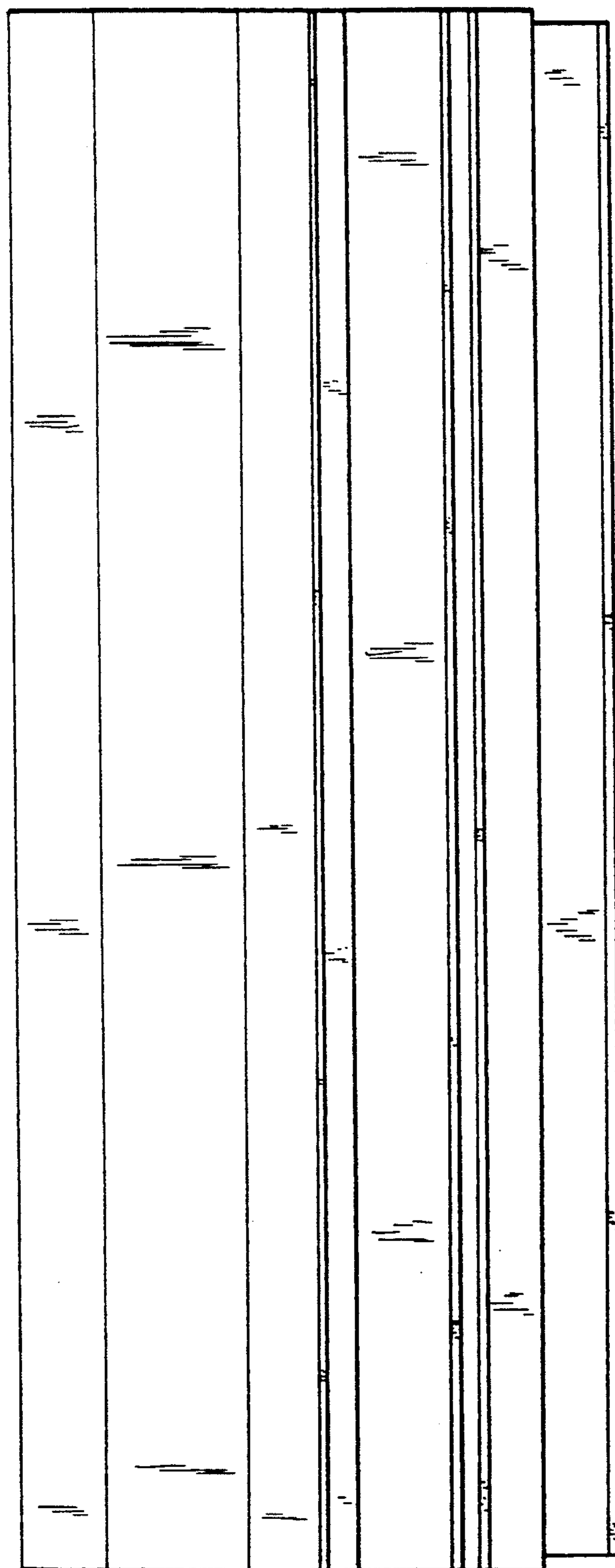


Fig. 4

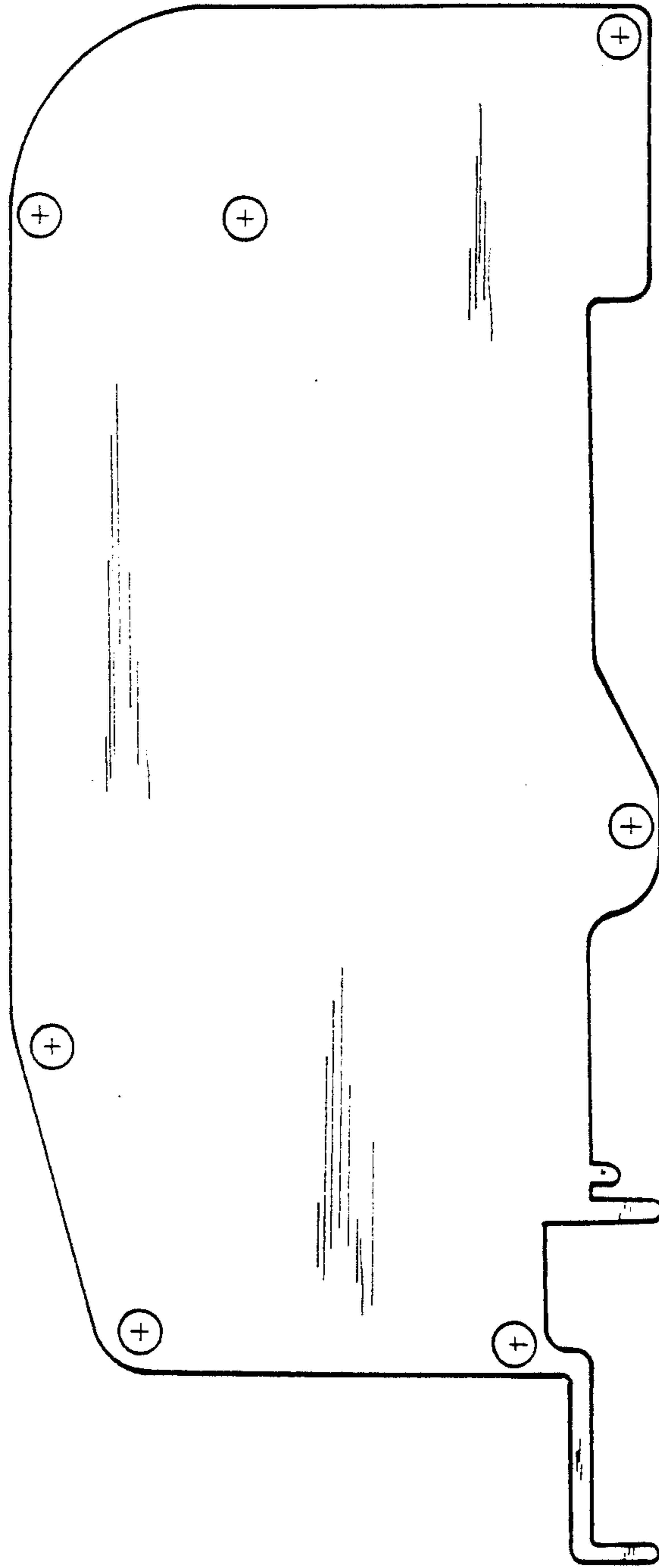


Fig. 5

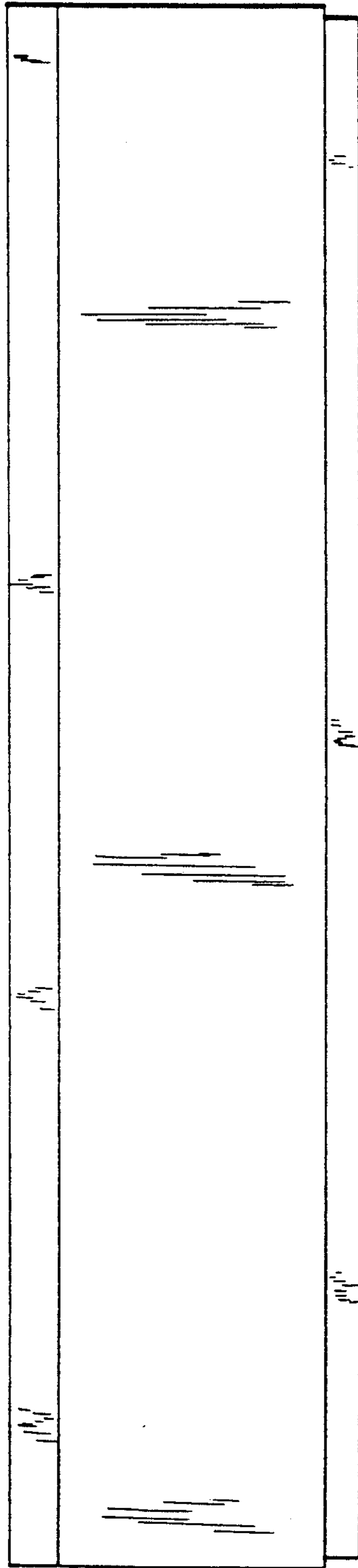


Fig. 6