



US00D331052S

United States Patent [19]

[11] Patent Number: **Des. 331,052**

Wada

[45] Date of Patent: **** Nov. 17, 1992**

[54] REEL HUB FOR A TAPE CASSETTE

D. 308,056 5/1990 Takeda D14/121
4,715,558 12/1987 Fair et al. 242/199

[75] Inventor: Yuko Wada, Tokyo, Japan

Primary Examiner—Theodore M. Shooman
Attorney, Agent, or Firm—Lewis H. Eslinger; Jay H. Maioli

[73] Assignee: Sony Corporation, Tokyo, Japan

[**] Term: 14 Years

[21] Appl. No.: 517,610

[57] CLAIM

[22] Filed: May 2, 1990

The ornamental design for a reel hub for a tape cassette, as shown and described.

[30] Foreign Application Priority Data

DESCRIPTION

Nov. 28, 1989 [JP] Japan 1-43164

[52] U.S. Cl. **D14/121**

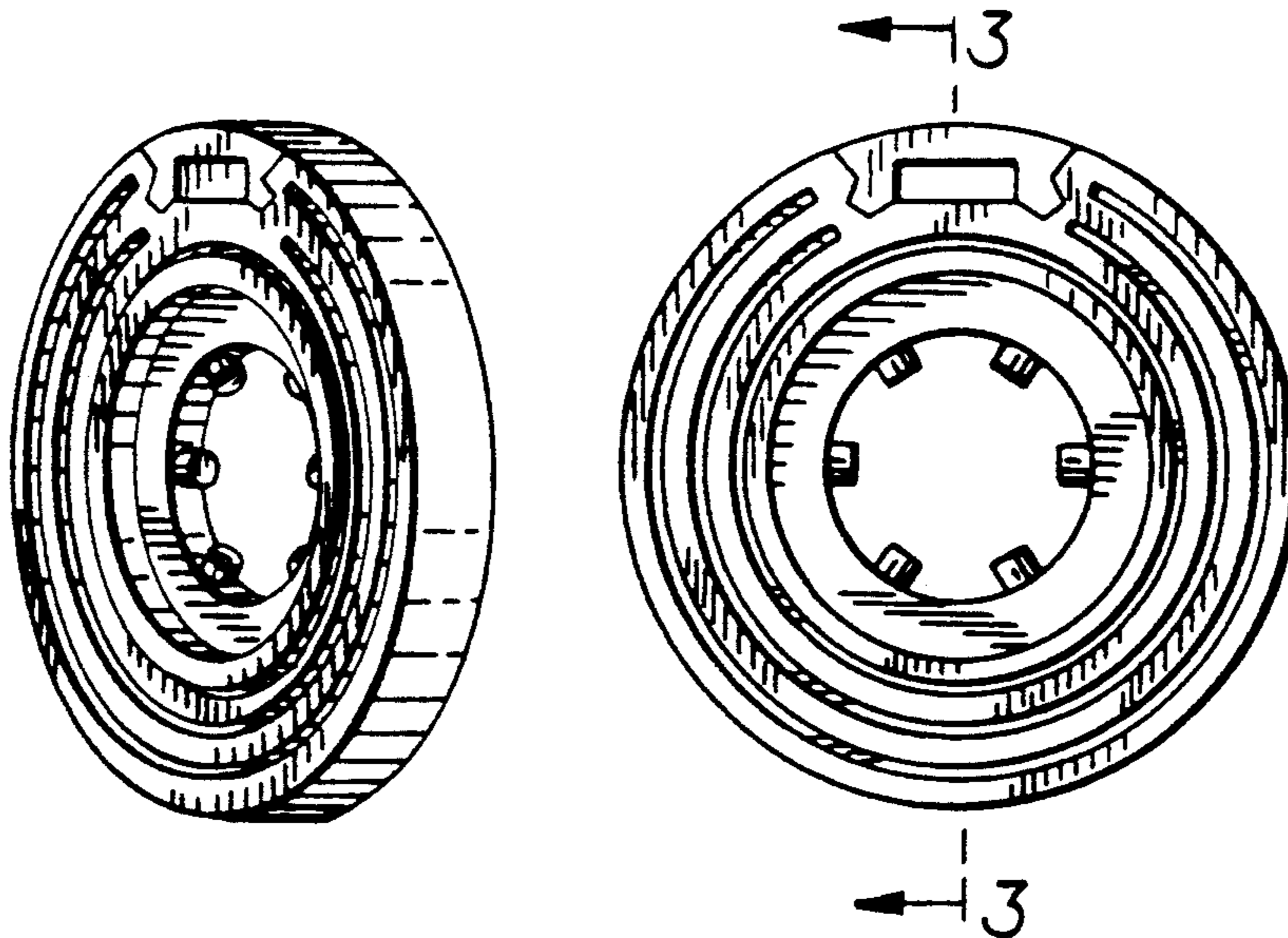
[58] Field of Search D14/114, 120, 121, 122;
242/71.8, 197-199

FIG. 1 is a front and right-side perspective view of a reel hub for a tape cassette, showing my new design; FIG. 2 is a front elevational view thereof, the rear view being a mirror image thereof; FIG. 3 is an elevational view in cross section taken along section lines 3—3 of FIG. 2; FIG. 4 is a left-side elevational view thereof, the right-side being a mirror image thereof; FIG. 5 is a top plan view thereof; and, FIG. 6 is a bottom plan view thereof.

[56] References Cited

U.S. PATENT DOCUMENTS

D. 194,719 2/1963 Martinez et al. D14/122
D. 291,304 8/1987 Fujimoto D14/121
D. 291,434 8/1987 Fujimoto D14/121



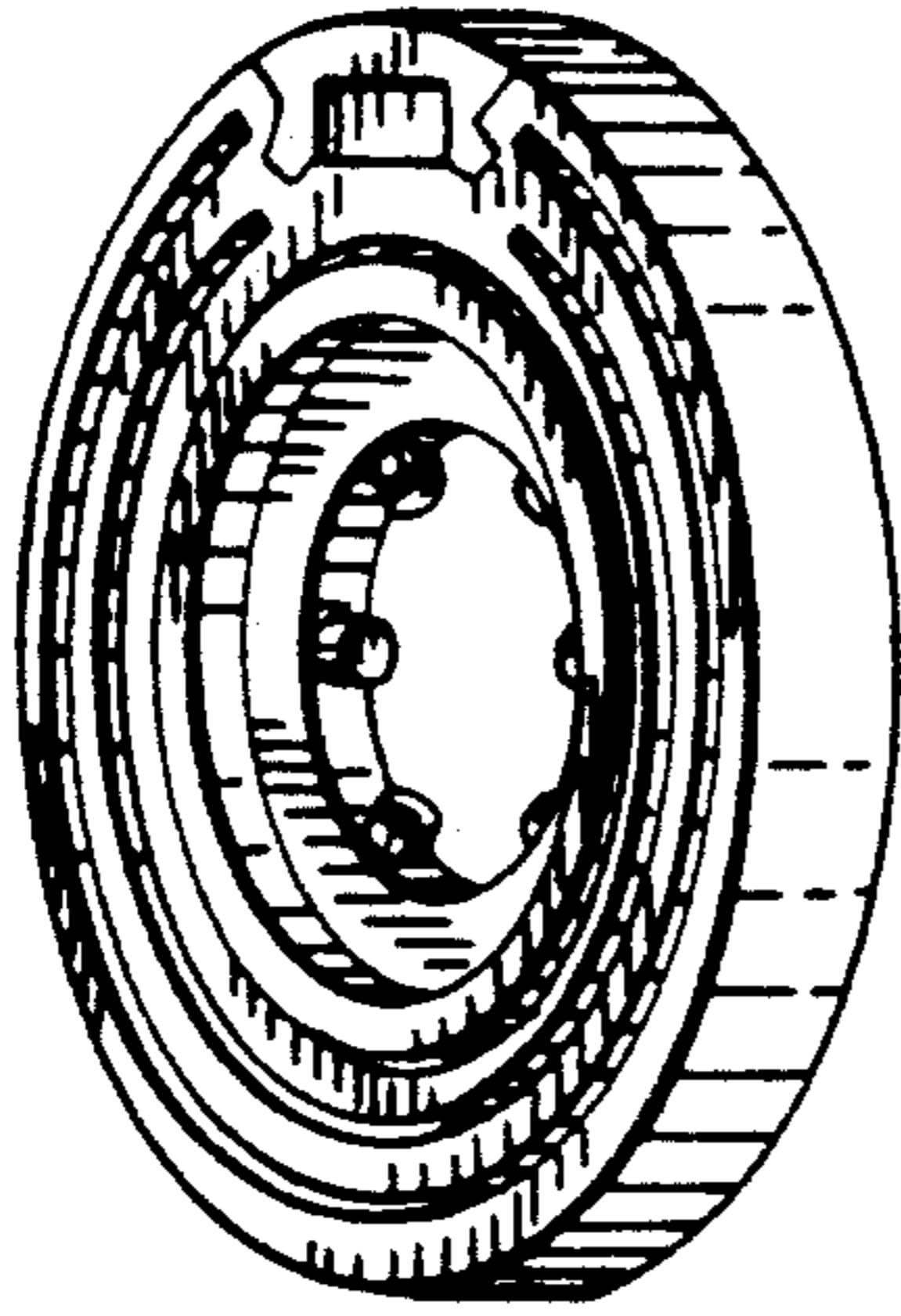


FIG. 1

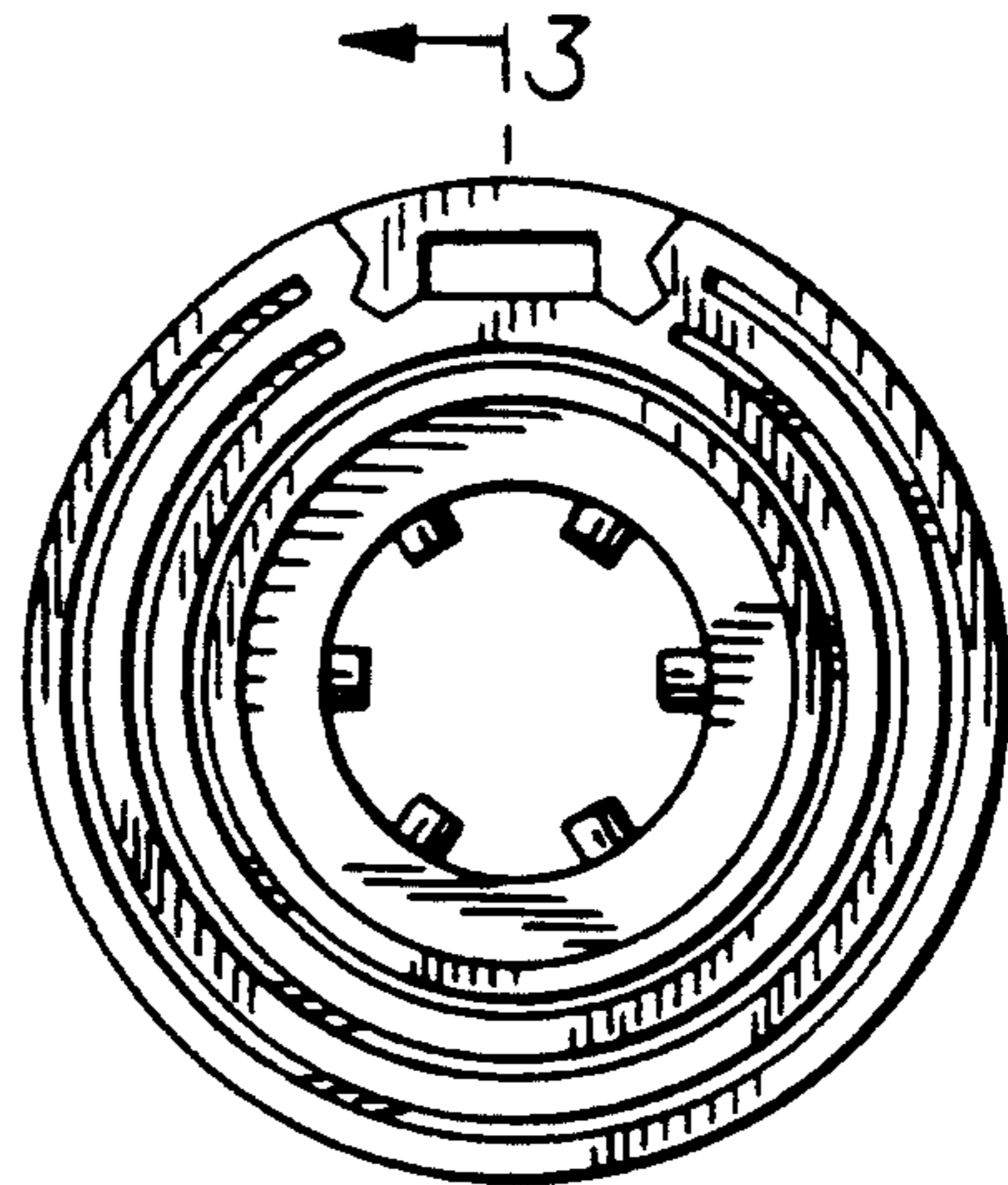


FIG. 2



FIG. 3



FIG. 4



FIG. 5



FIG. 6