



US00D331051S

# United States Patent [19]

[11] Patent Number: **Des. 331,051**

**Inukai**

[45] Date of Patent: **\*\* Nov. 17, 1992**

[54] **FACSIMILE**

[75] Inventor: **Yoshinori Inukai, Tokyo, Japan**

[73] Assignee: **Canon Kabushiki Kaisha, Tokyo, Japan**

[\*\*] Term: **14 Years**

[21] Appl. No.: **704,634**

[22] Filed: **May 23, 1991**

[30] **Foreign Application Priority Data**

Nov. 26, 1990 [JP] Japan ..... 2-39490

[52] U.S. Cl. .... **D14/118**

[58] Field of Search ..... **D14/118, 124, 299; D18/36, 37; 358/400, 401**

[56] **References Cited**

**U.S. PATENT DOCUMENTS**

D. 287,364	12/1986	Kando	.....	D14/94
D. 293,673	1/1988	Nishio	.....	D14/94
D. 295,284	4/1988	Kando	.....	D14/94
D. 300,137	3/1989	Kando	.....	D14/118
D. 300,139	3/1989	Nishio	.....	D14/118
D. 304,182	10/1989	Takahashi	.....	D14/118
D. 304,185	10/1989	Yoshihara	.....	D14/118
D. 304,187	10/1989	Komatsu	.....	D14/118
D. 304,723	11/1989	Yoshihara	.....	D14/117

D. 311,914	11/1990	Yoshihara	.....	D14/118
D. 312,079	11/1990	Komatsu	.....	D14/118
D. 312,252	11/1990	Nishio et al.	.....	D14/118
D. 312,455	11/1990	Takayama et al.	.....	D14/118
D. 314,957	2/1991	Tsukada	.....	D14/118
D. 315,152	3/1991	Takayama et al.	.....	D14/118
D. 315,340	3/1991	Takahashi	.....	D14/118
D. 315,341	3/1991	Komatsu	.....	D14/118
D. 315,342	3/1991	Yoshihara	.....	D14/118
D. 315,344	3/1991	Yoshihara	.....	D14/118
D. 315,555	3/1991	Komatsu	.....	D14/118
D. 315,726	3/1991	Inukai	.....	D14/118

*Primary Examiner*—Theodore M. Shooman  
*Attorney, Agent, or Firm*—Fitzpatrick, Cella, Harper & Scinto

[57] **CLAIM**

The ornamental design for a facsimile, as shown and described.

**DESCRIPTION**

FIG. 1 is a front elevational view of a facsimile showing my new design;  
FIG. 2 is a rear elevational view thereof;  
FIG. 3 is a top plan view thereof;  
FIG. 4 is a bottom plan view thereof;  
FIG. 5 is a left side elevational view thereof;  
FIG. 6 is a right side elevational view thereof; and,  
FIG. 7 is a perspective view thereof.

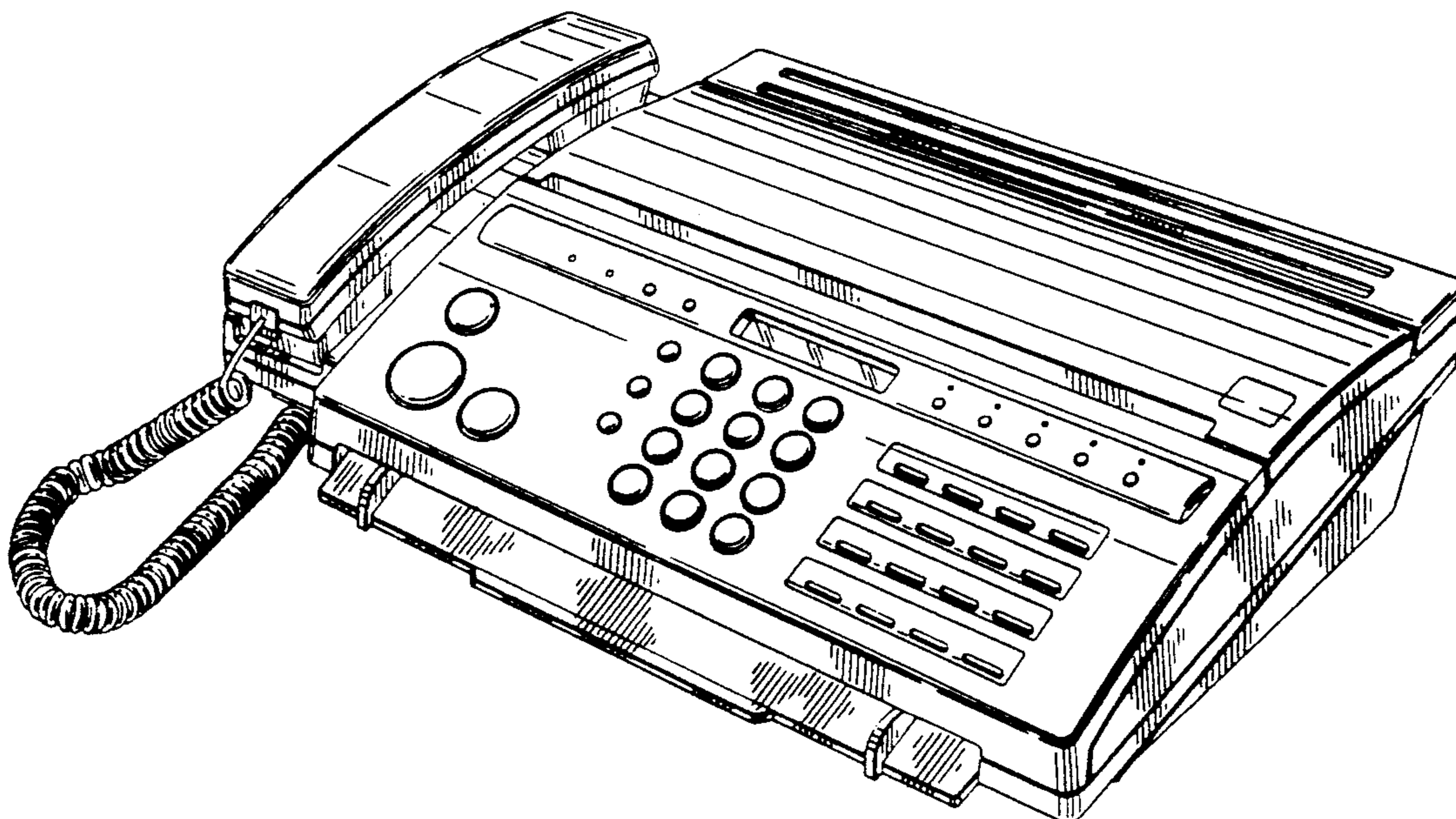


FIG. 1

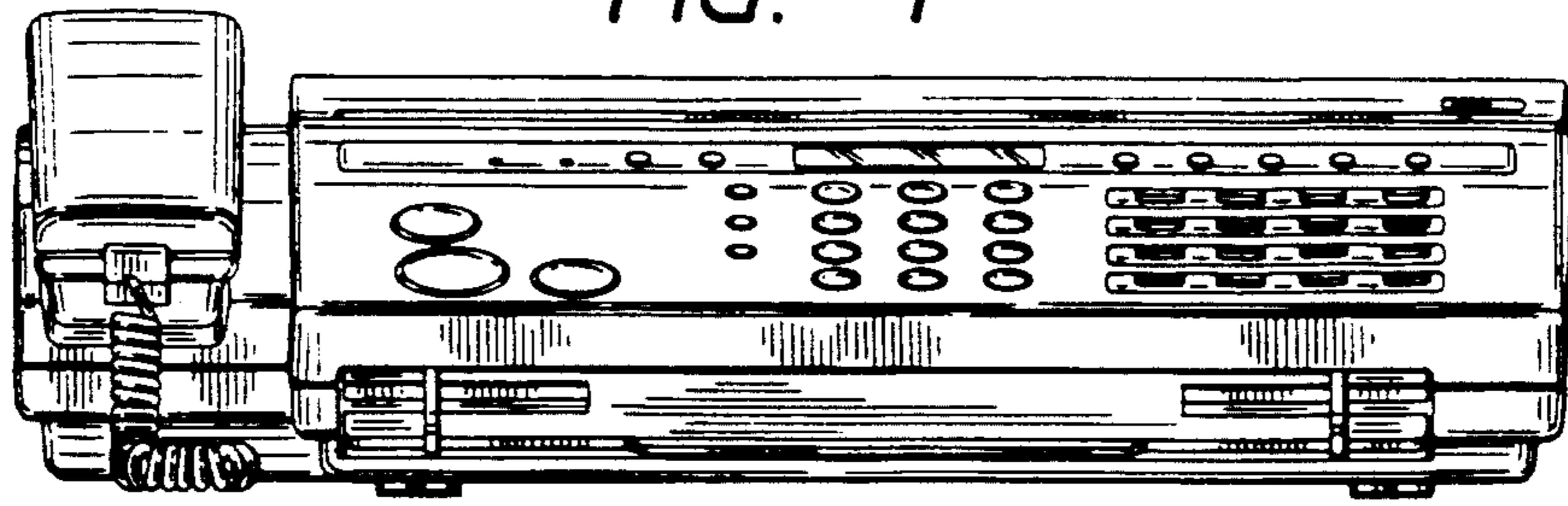


FIG. 2

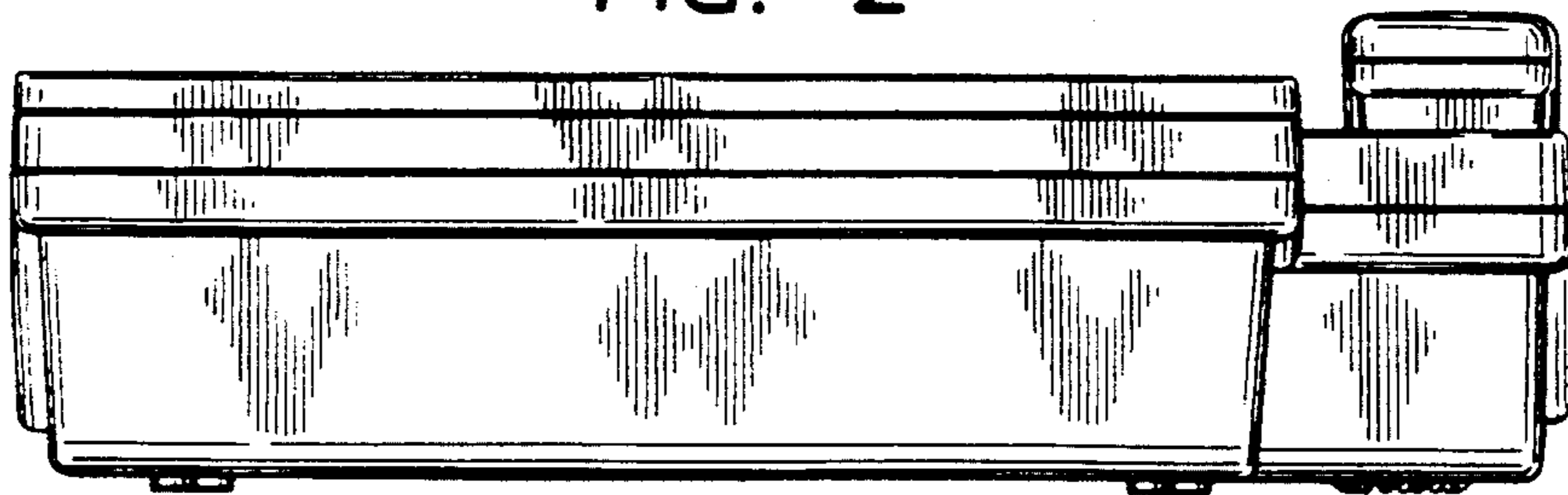
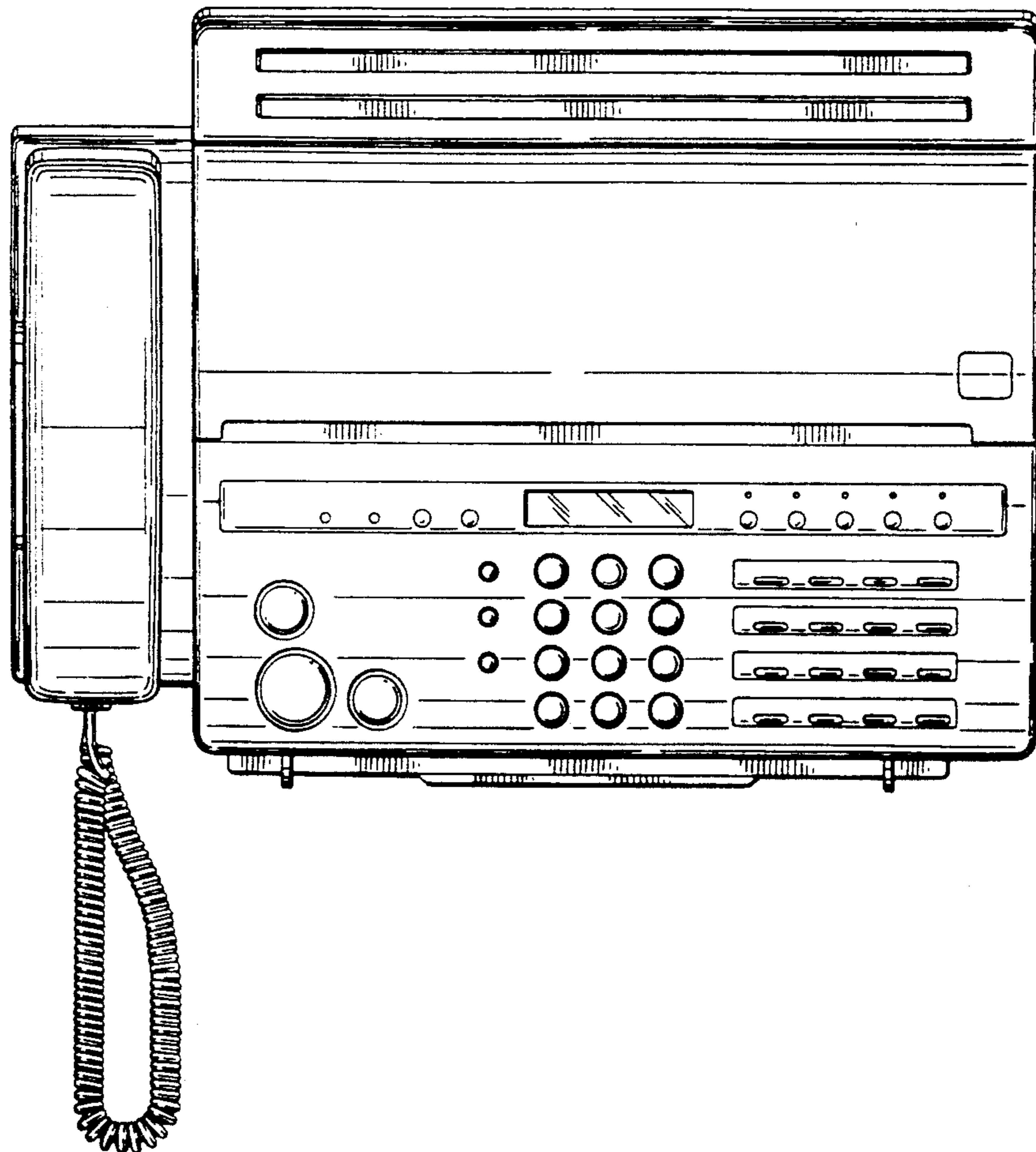


FIG. 3





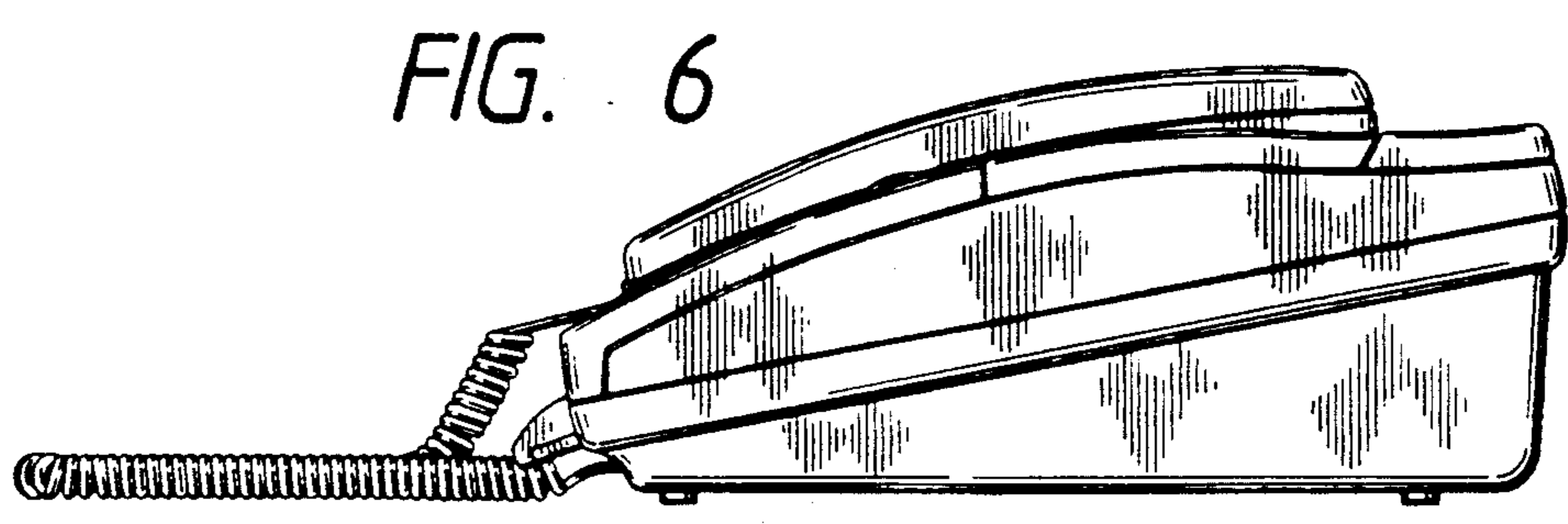
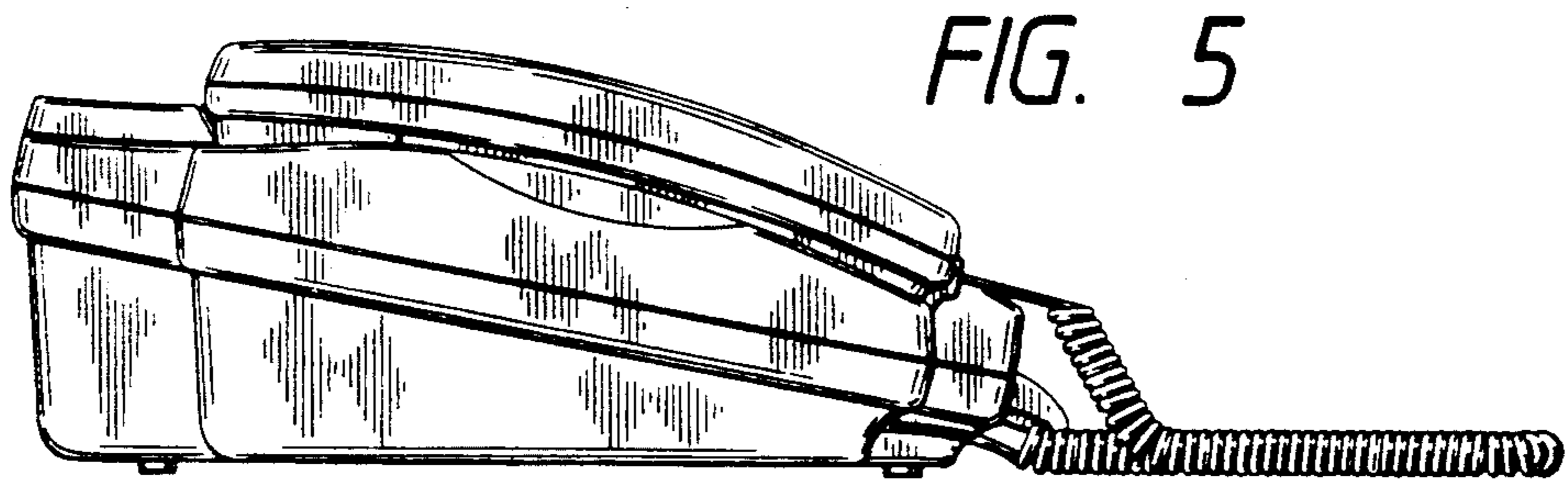
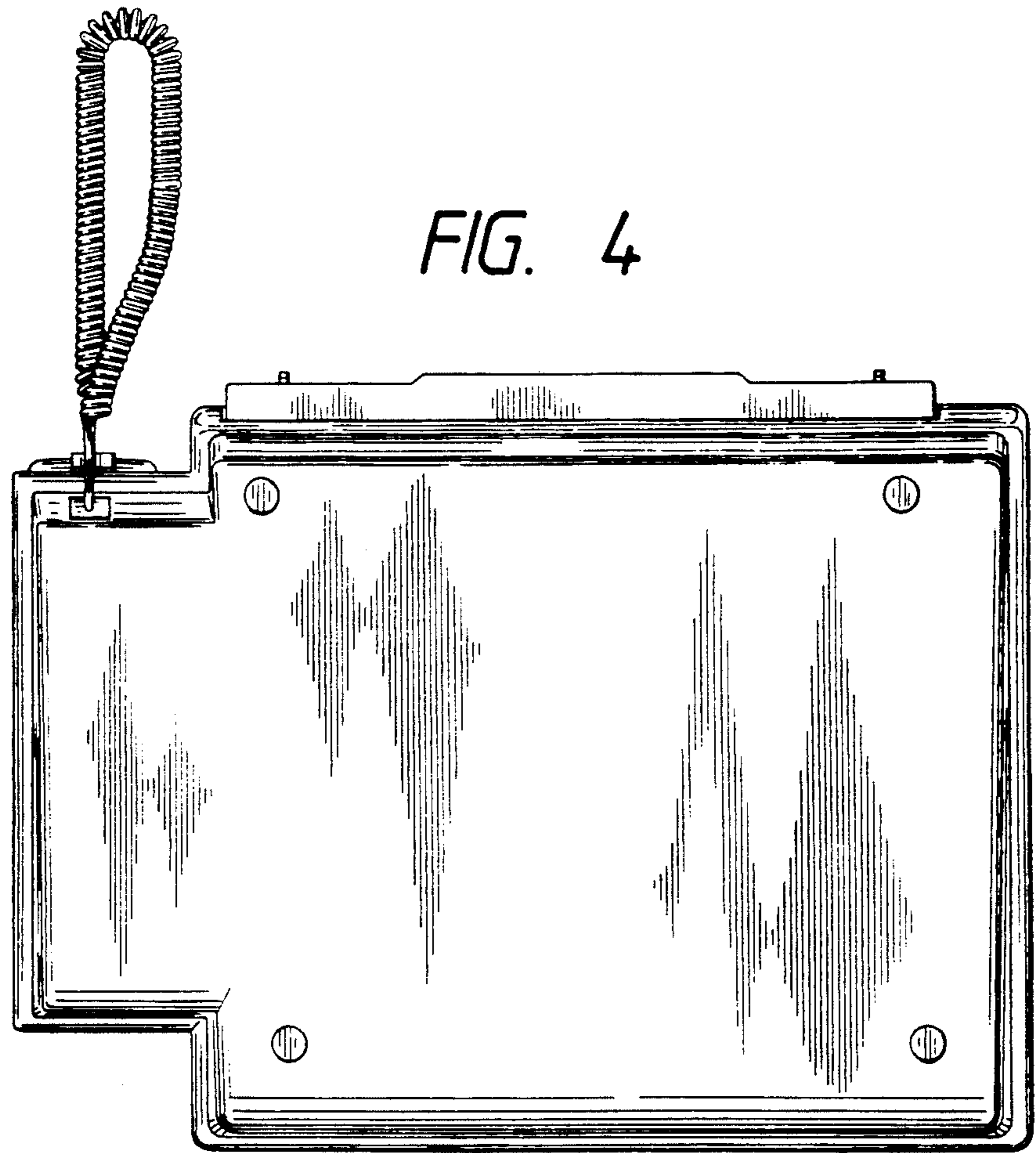


FIG. 7

