



US00D331048S

United States Patent [19]

[11] Patent Number: **Des. 331,048**

Ito et al.

[45] Date of Patent: **** Nov. 17, 1992**

[54] **FRONT PANEL FOR A DISC DRIVE**

290,844 7/1987 Shibuya et al. D14/109
D. 309,727 8/1990 Stead D14/100

[75] Inventors: **Masafumi Ito**, Tokyo; **Shigeru Hasegawa**, Kodaira; **Katsuhiro Takashyma**, Yokohama, all of Japan

OTHER PUBLICATIONS

Teac SB-3000 (Product Information Sheet).

[73] Assignee: **Teac Corporation**, Tokyo, Japan

Primary Examiner—Wallace R. Burke

[**] Term: **14 Years**

Assistant Examiner—Freda S. Nunn

[21] Appl. No.: **503,696**

Attorney, Agent, or Firm—Michael N. Meller

[22] Filed: **Apr. 3, 1990**

[57] CLAIM

[30] Foreign Application Priority Data

The ornamental design for a front panel for a disc drive, as shown and described.

Oct. 5, 1989 [JP] Japan 1-36448

DESCRIPTION

[52] U.S. Cl. **D14/115**

[58] Field of Search D14/100, 102, 107, 108, D14/109; D13/184, 199, 163; 312/208; 360/97.01-99.12, 132, 133; 361/330-335, 380-385, 390-395, 415; 200/5 A, 5 R, 6 A, 6 R

FIG. 1 is a top plan view of a front panel for a disc drive showing our new design;

FIG. 2 is a bottom plan view thereof;

FIG. 3 is a front elevational view thereof;

FIG. 4 is a left side elevational view thereof;

FIG. 5 is a right side elevational view thereof; and,

FIG. 6 is a slightly reduced perspective view thereof.

[56] References Cited

U.S. PATENT DOCUMENTS

D. 262,968 2/1982 Hutcheson D14/107

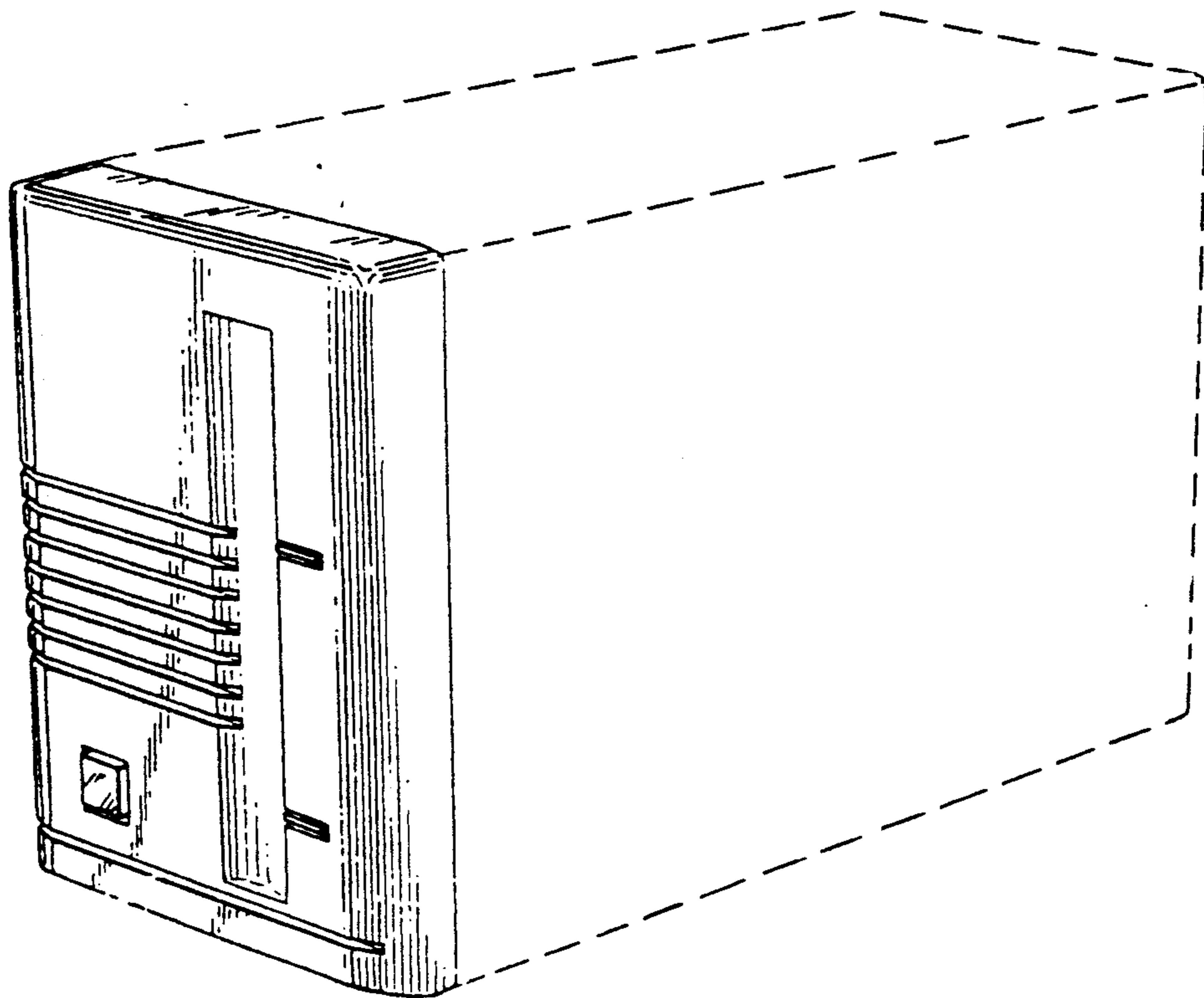


FIG. 1

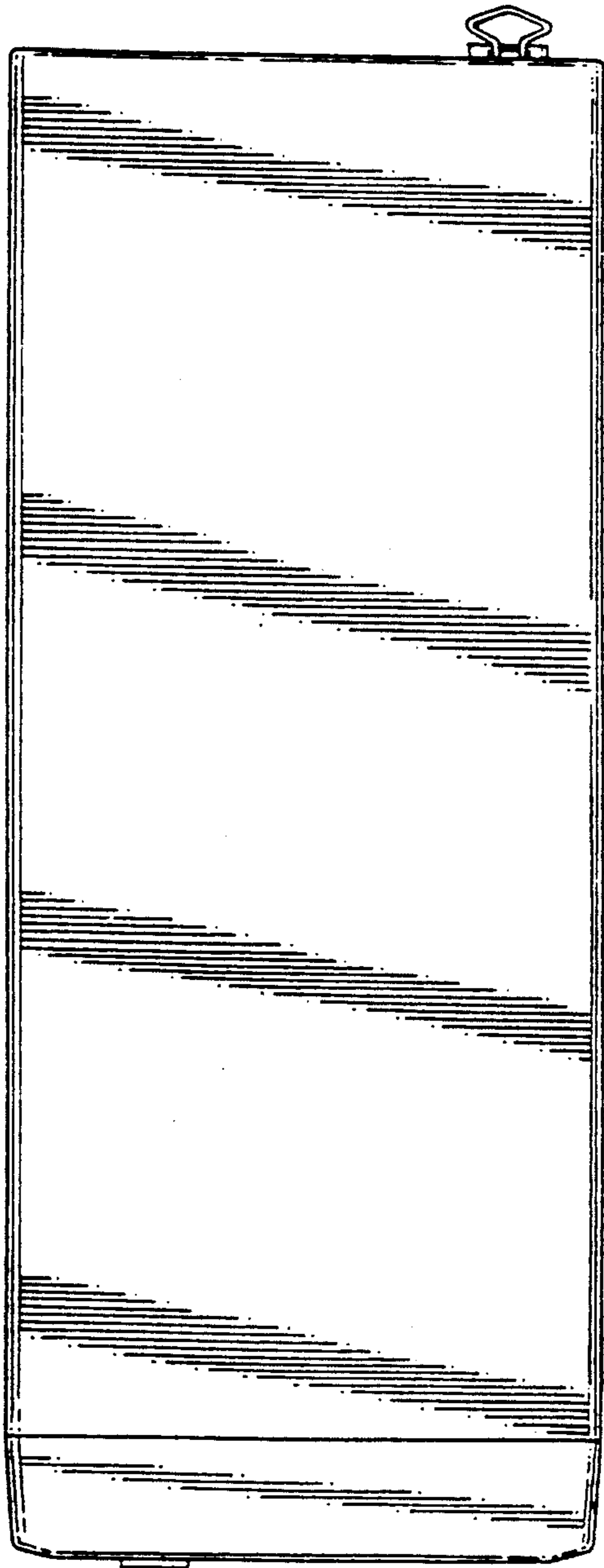


FIG. 2

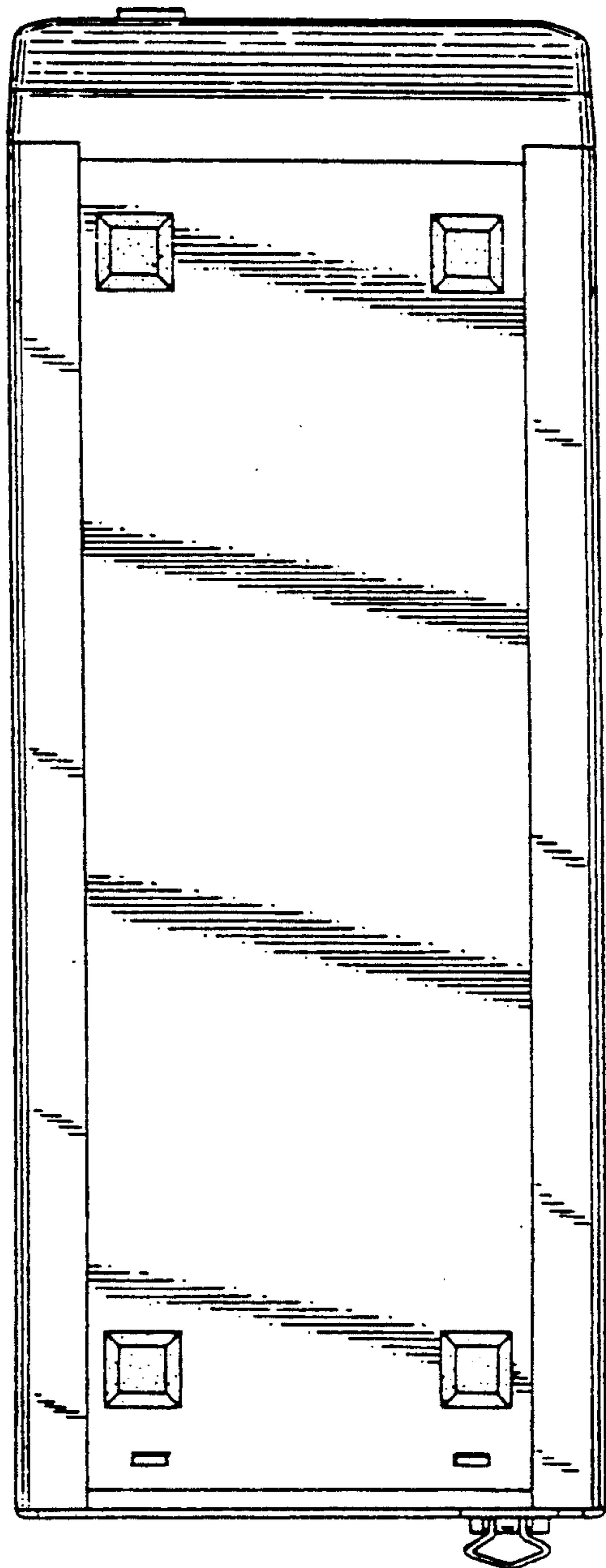


FIG. 3

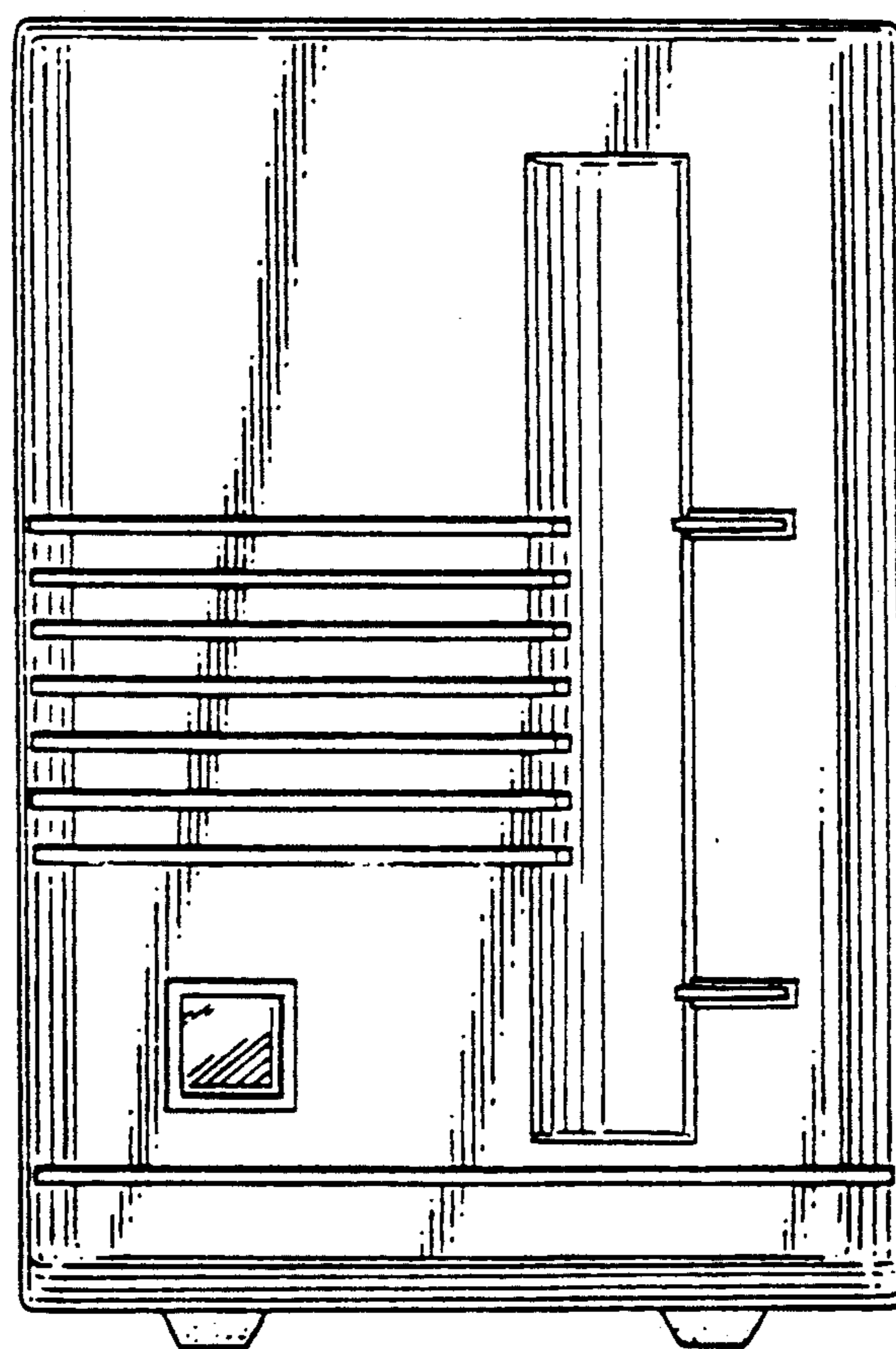


FIG. 4

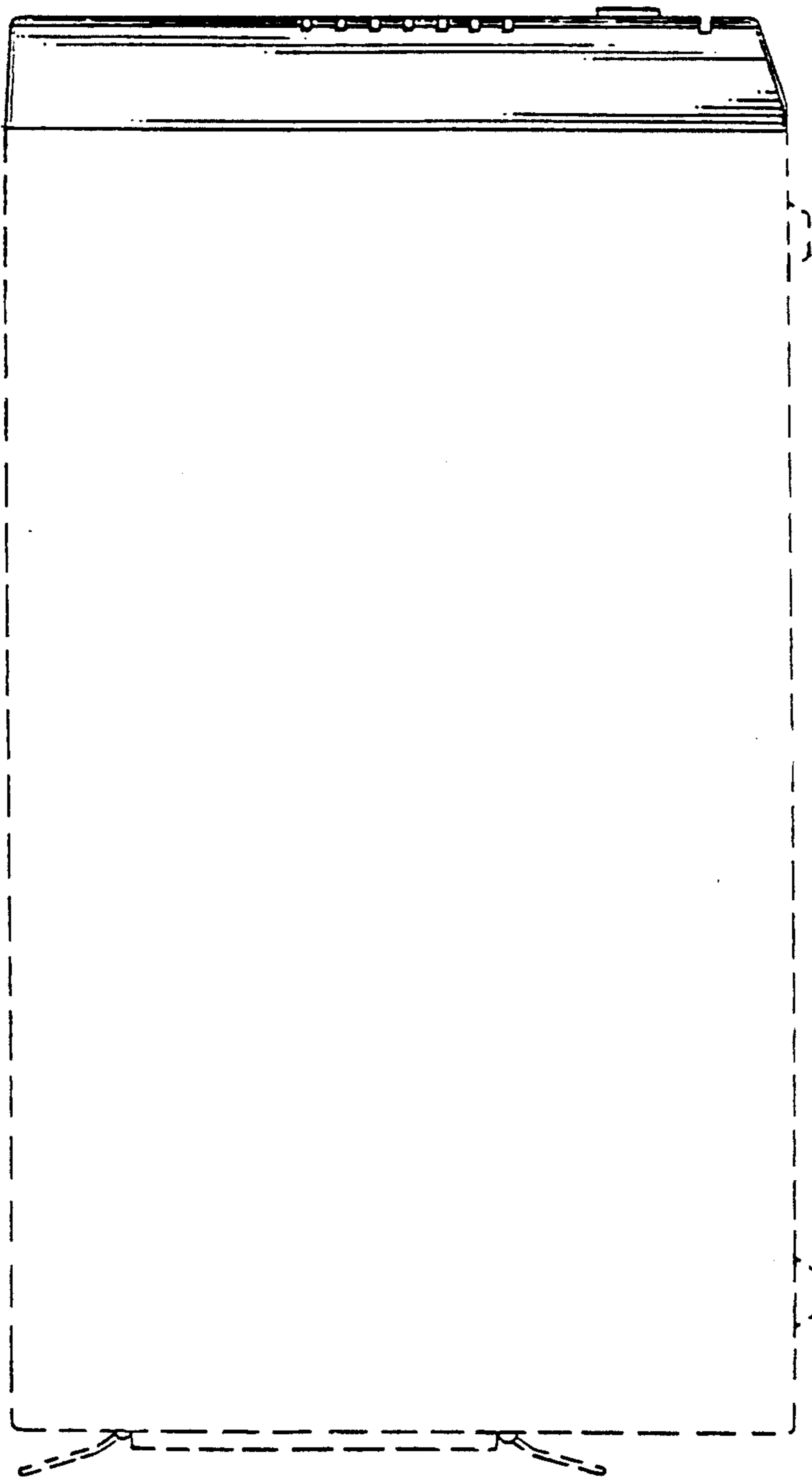


FIG. 5

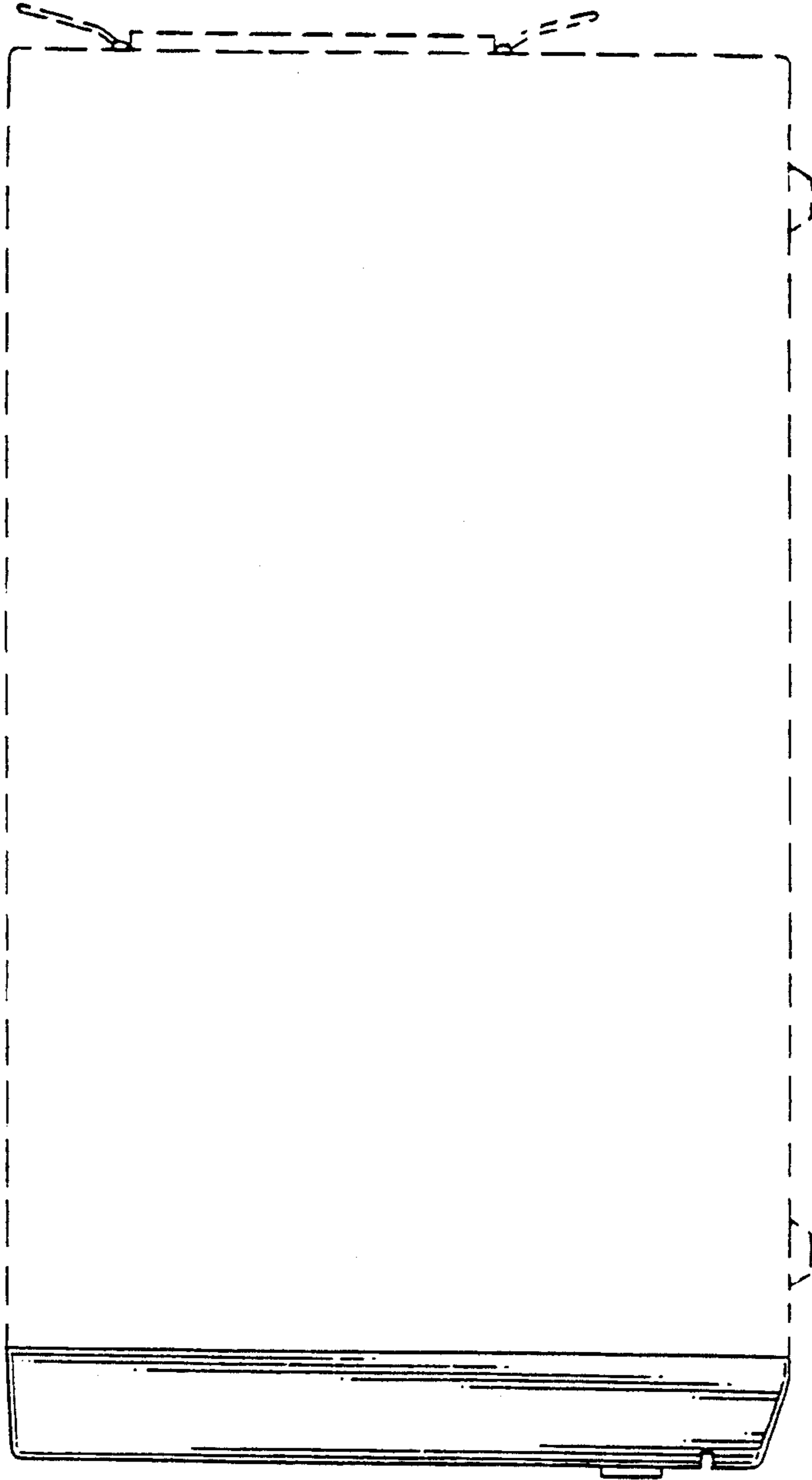


FIG. 6

