



US00D331045S

United States Patent [19]

[11] Patent Number: **Des. 331,045**

Moerke

[45] Date of Patent: **** Nov. 17, 1992**

[54] COMBINED COMPUTER KEYBOARD AND MOUSE PAD DRAWER

[76] Inventor: **Duane Moerke**, 9806 10th Ave. South, Minneapolis, Minn. 55420

[**] Term: **14 Years**

[21] Appl. No.: **579,984**

[22] Filed: **Sep. 10, 1990**

[52] U.S. Cl. **D14/114; D6/510**

[58] Field of Search **D14/114; D6/449, 429-431, D6/474, 509-510, 582-594; 312/196, 9.36, 322, 198, 204-205, 208, 270.3, 306, 348.5; 340/700, 709, 710; D19/75, 92, 99, 86, 87**

[56] References Cited

U.S. PATENT DOCUMENTS

D. 257,778	1/1981	Macowski	D19/92	X
D. 285,270	8/1986	Hannah et al.	D6/430	X
D. 287,678	1/1987	Hatcher et al.	D14/114	X
D. 289,240	4/1987	Sylvester et al.	D6/429	
D. 299,476	1/1989	Wolff	D19/75	X
D. 316,710	5/1991	Drake et al.	D14/114	
4,834,502	5/1989	Bristol et al.	340/710	X

OTHER PUBLICATIONS

Inmac item Mouse Deck p. 3, bottom left corner.

Primary Examiner—Wallace R. Burke

Assistant Examiner—M. H. Tung

Attorney, Agent, or Firm—Haugen and Nikolai

[57] CLAIM

The ornamental design for the combined computer keyboard and mouse pad drawer, as shown and described.

DESCRIPTION

FIG. 1 is an isometric view of a combined computer keyboard and mouse pad drawer showing my new design;

FIG. 2 is a left side elevational view thereof, the right side being a mirror image;

FIG. 3 is a right side cross-sectional view thereof, taken on line 3—3 of FIG. 1;

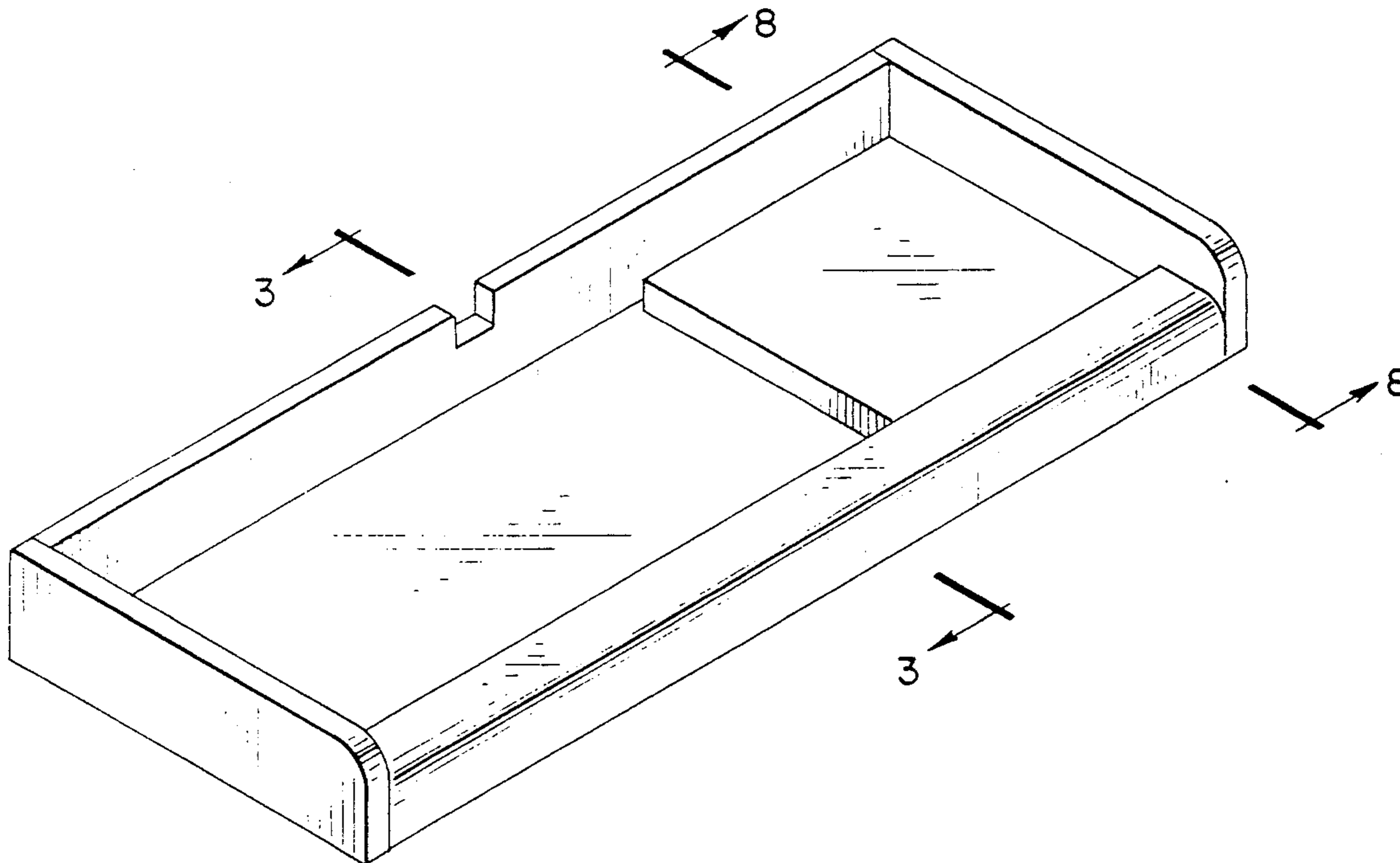
FIG. 4 is a front elevational view thereof;

FIG. 5 is a top plan view thereof;

FIG. 6 is a rear elevational view thereof;

FIG. 7 is a bottom plan view thereof; and,

FIG. 8 is a left side cross-sectional view thereof, taken on line 8—8 of FIG. 1.



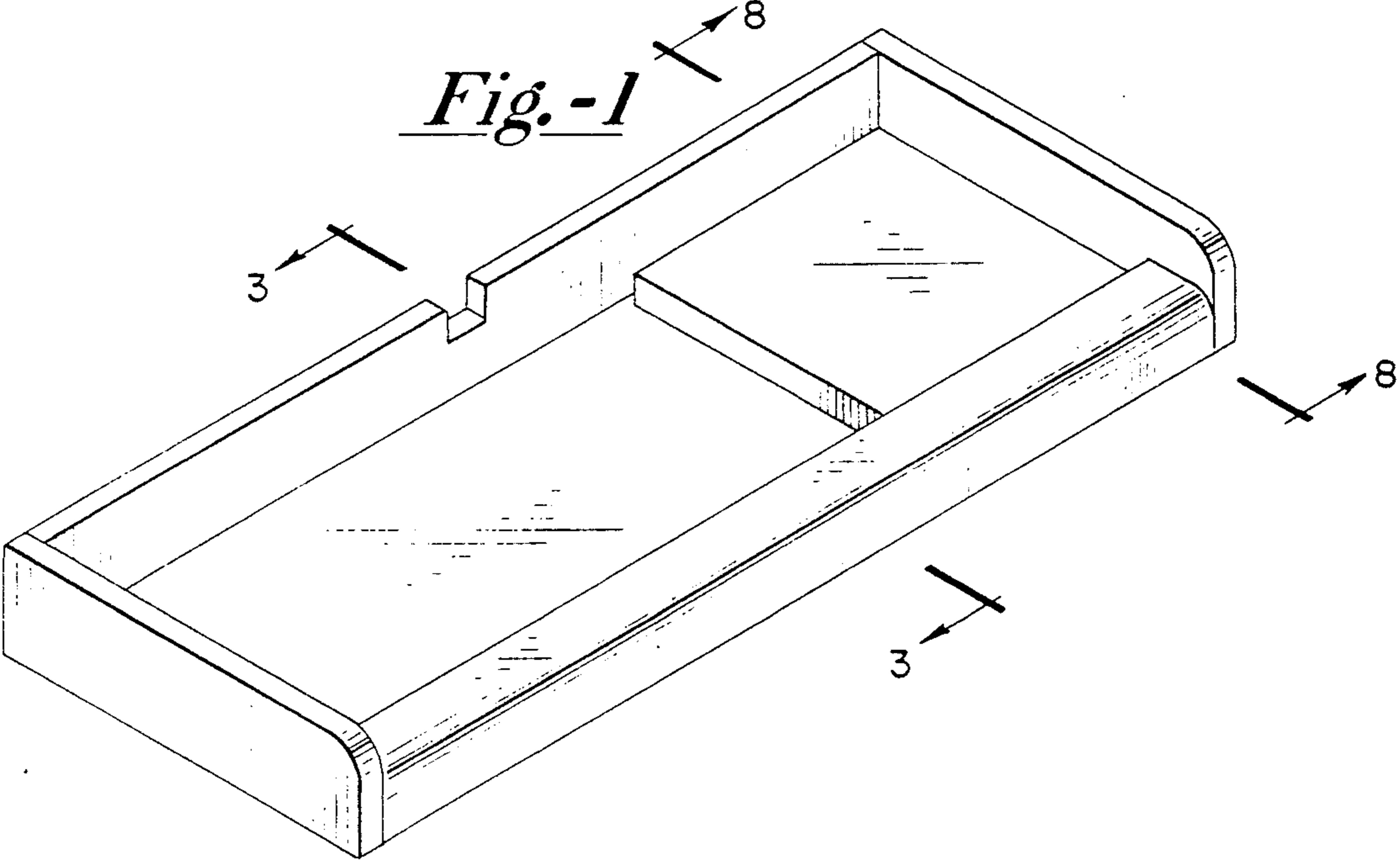


Fig.-2



Fig.-3

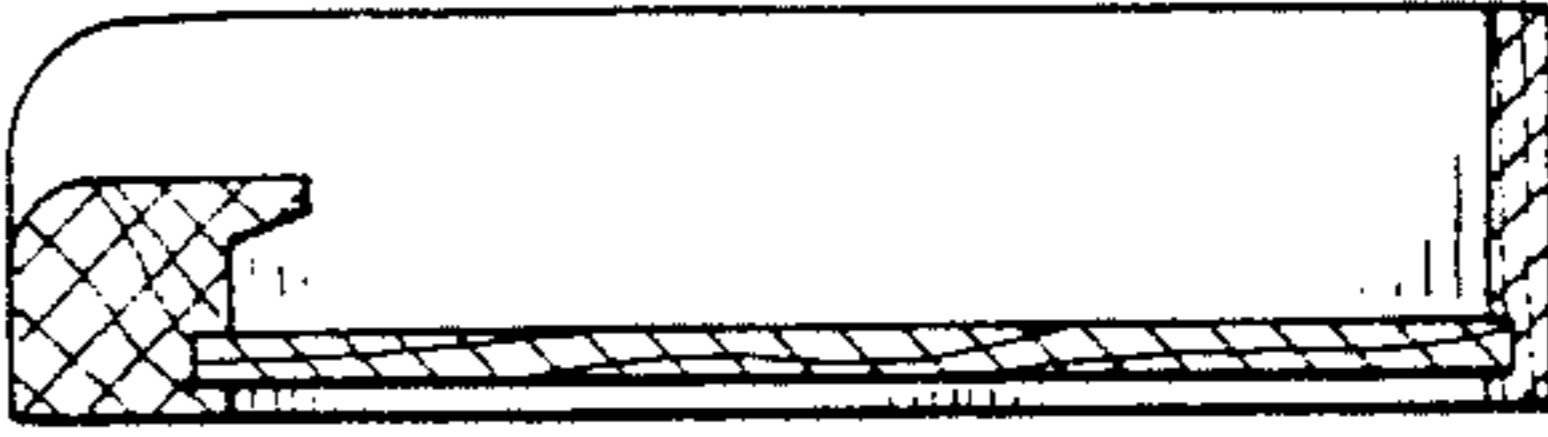


Fig.-4

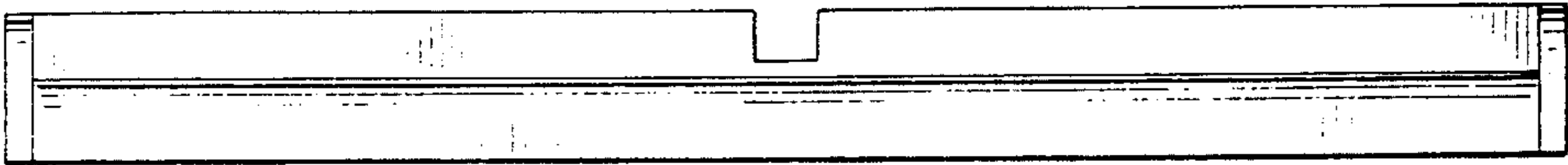


Fig.-5

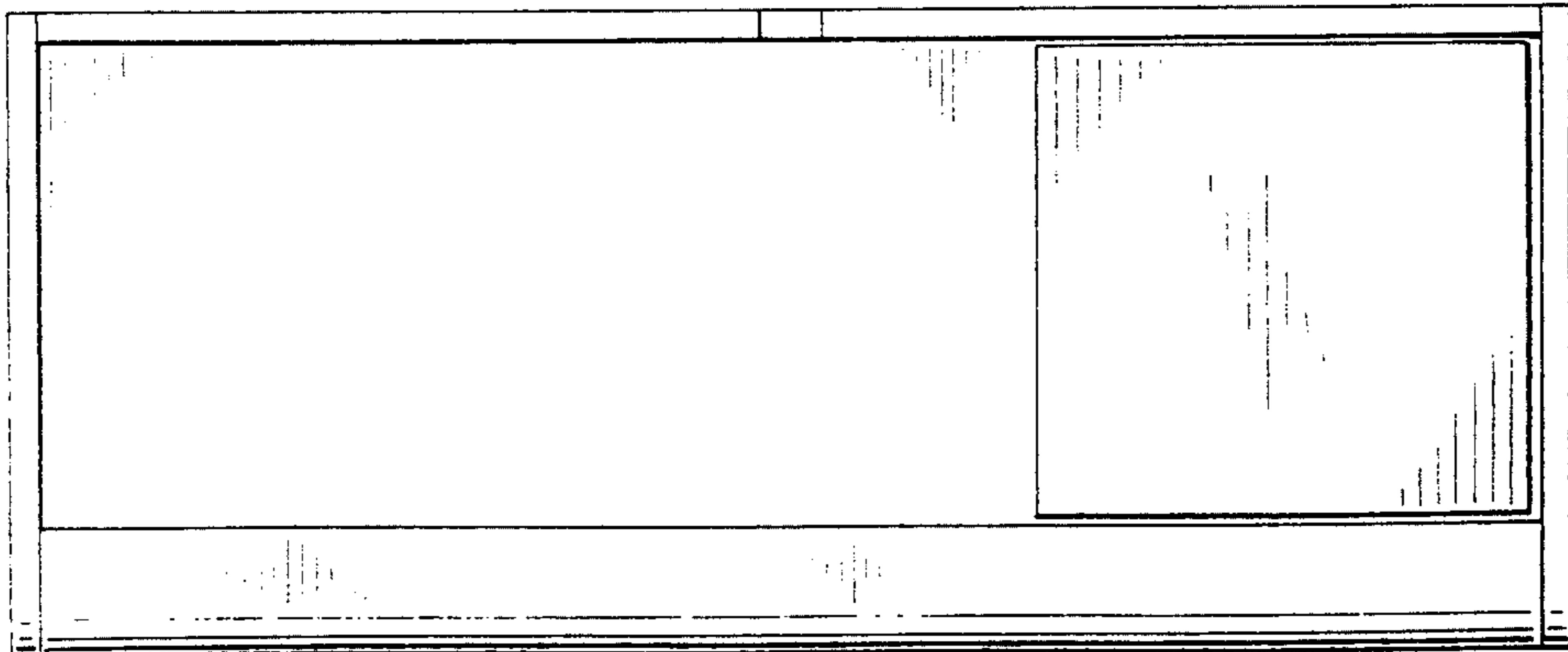


Fig.-6

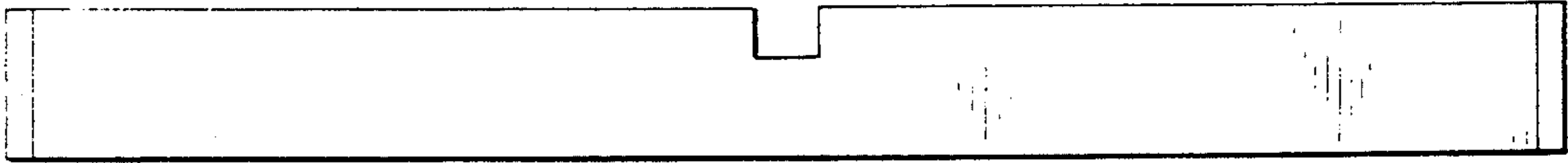


Fig.-7

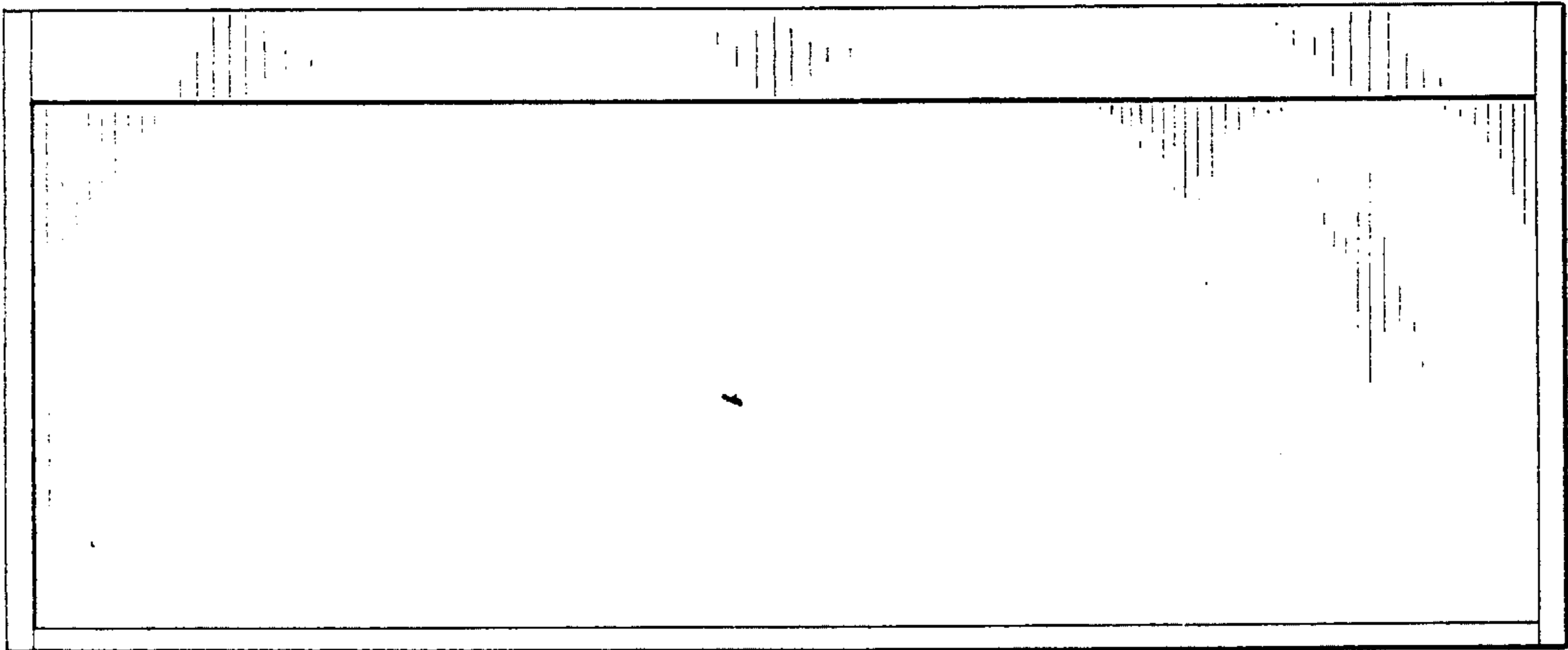


Fig.-8

