



US00D331044S

United States Patent [19]

[11] Patent Number: **Des. 331,044**

Tse

[45] Date of Patent: **** Nov. 17, 1992**

[54] **JOYSTICK**

[75] Inventor: **Michael K. M. Tse, Kowloon, Hong Kong**

[73] Assignee: **STD Electronic International Ltd., Kowloon, Hong Kong**

[**] Term: **14 Years**

[21] Appl. No.: **592,867**

[22] Filed: **Oct. 4, 1990**

[30] **Foreign Application Priority Data**

May 15, 1990 [GB] United Kingdom 2006849

[52] U.S. Cl. **D14/114**

[58] Field of Search D14/100, 114; D13/158; D21/48; 178/18, 19; 200/5 R, 5 A, 6 R, 6 A; 273/148 B; 340/707, 709-710; 74/471 XY

[56] **References Cited**

U.S. PATENT DOCUMENTS

D. 306,615 3/1990 Hayes D21/48

D. 317,331 6/1991 Monoway D21/48
D. 317,948 7/1991 Tse D21/48
4,590,339 5/1986 Scott-Jackson et al. ... 74/471 XY X
4,658,666 4/1987 Liu 273/148 B X

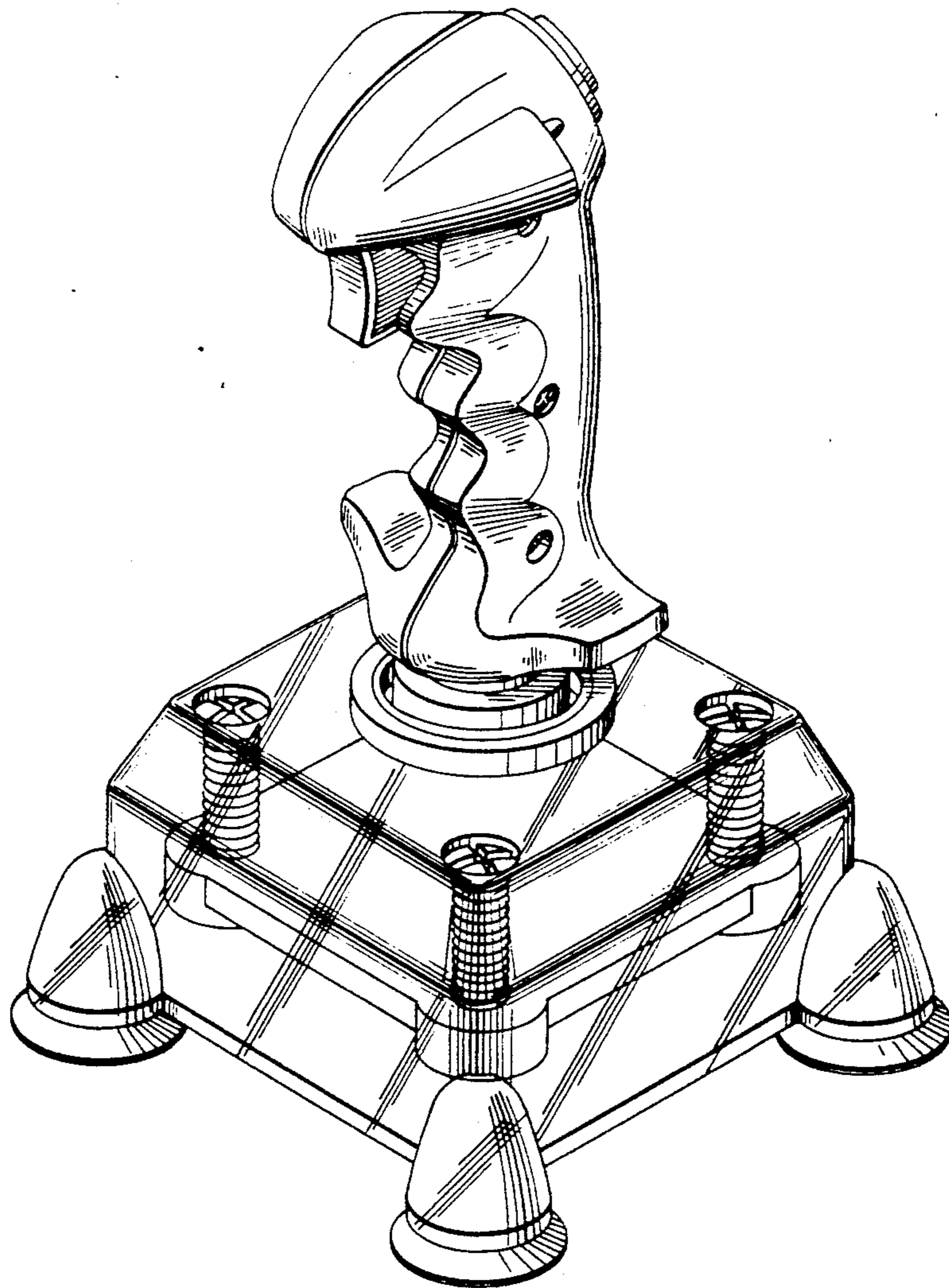
Primary Examiner—Susan J. Lucas
Assistant Examiner—M. H. Tung
Attorney, Agent, or Firm—Burns, Doane, Swecker & Mathis

[57] **CLAIM**

The ornamental design for a joystick, as shown and described.

DESCRIPTION

FIG. 1 is a perspective view of a joystick showing my new design;
FIG. 2 is a front elevational view thereof;
FIG. 3 is a rear elevational view thereof;
FIG. 4 is a left side elevational view thereof;
FIG. 5 is a right side elevational view thereof;
FIG. 6 is a top plan view thereof; and,
FIG. 7 is a bottom plan view thereof.



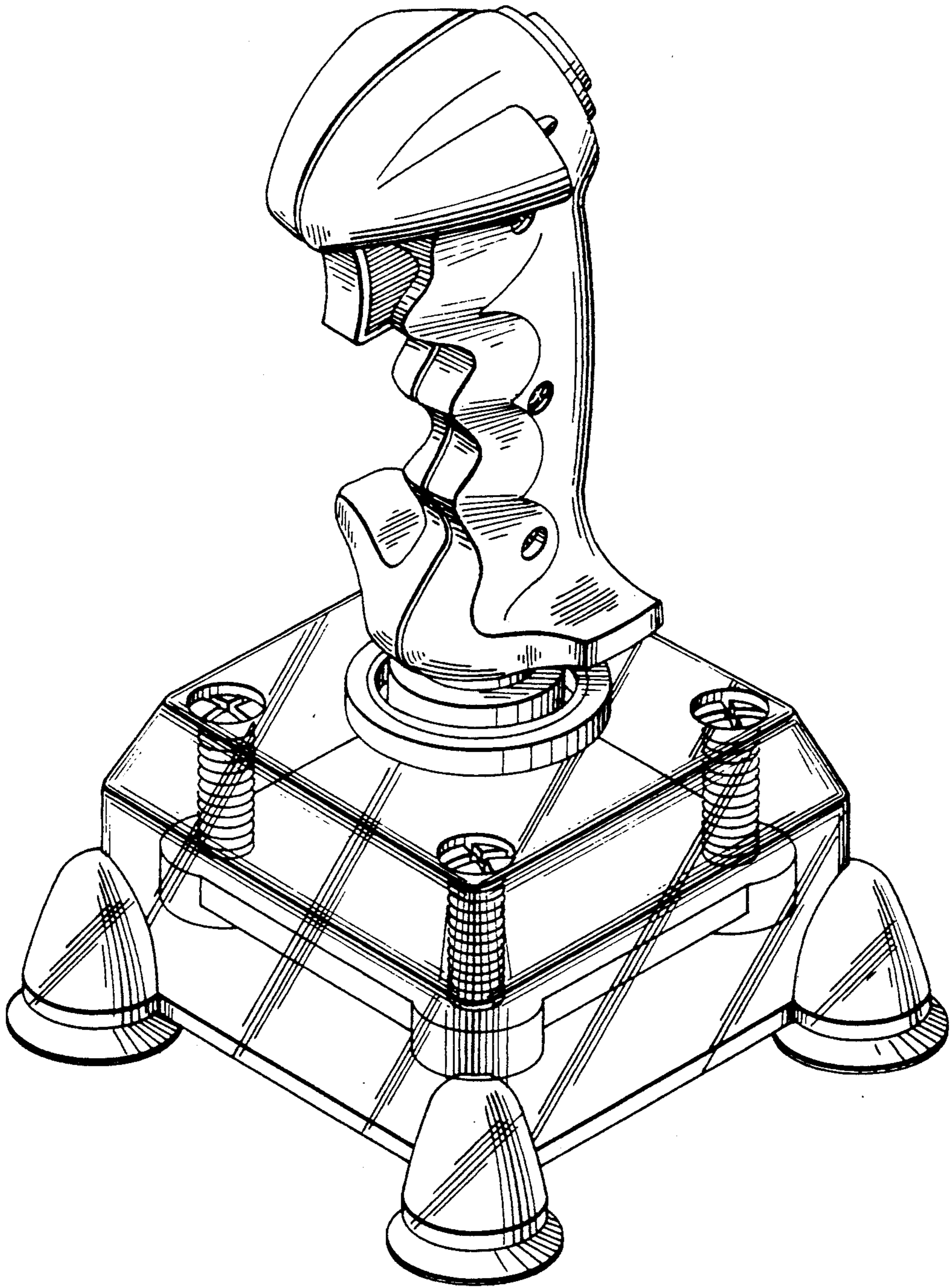


Fig. 1

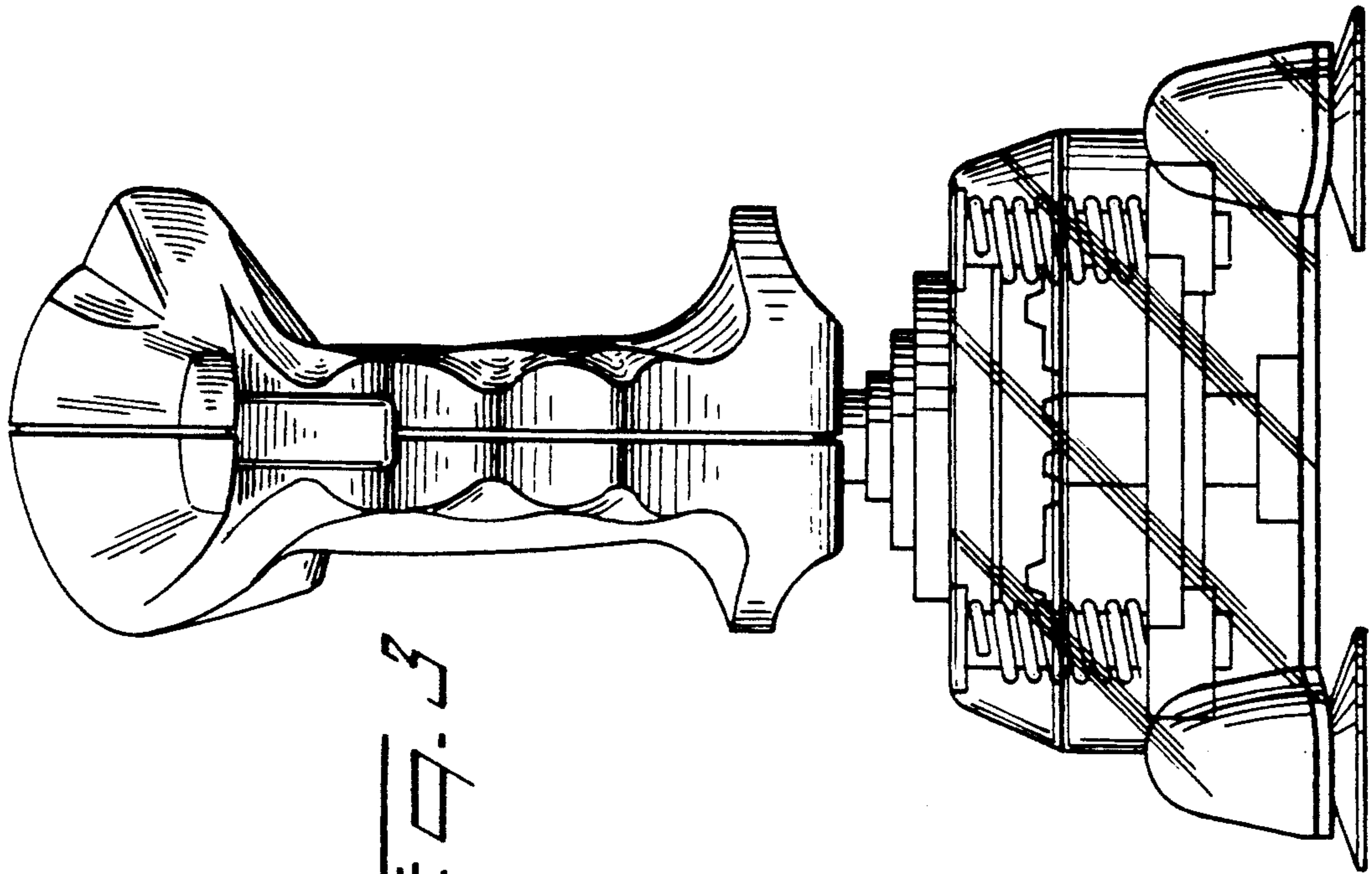


FIG. 3

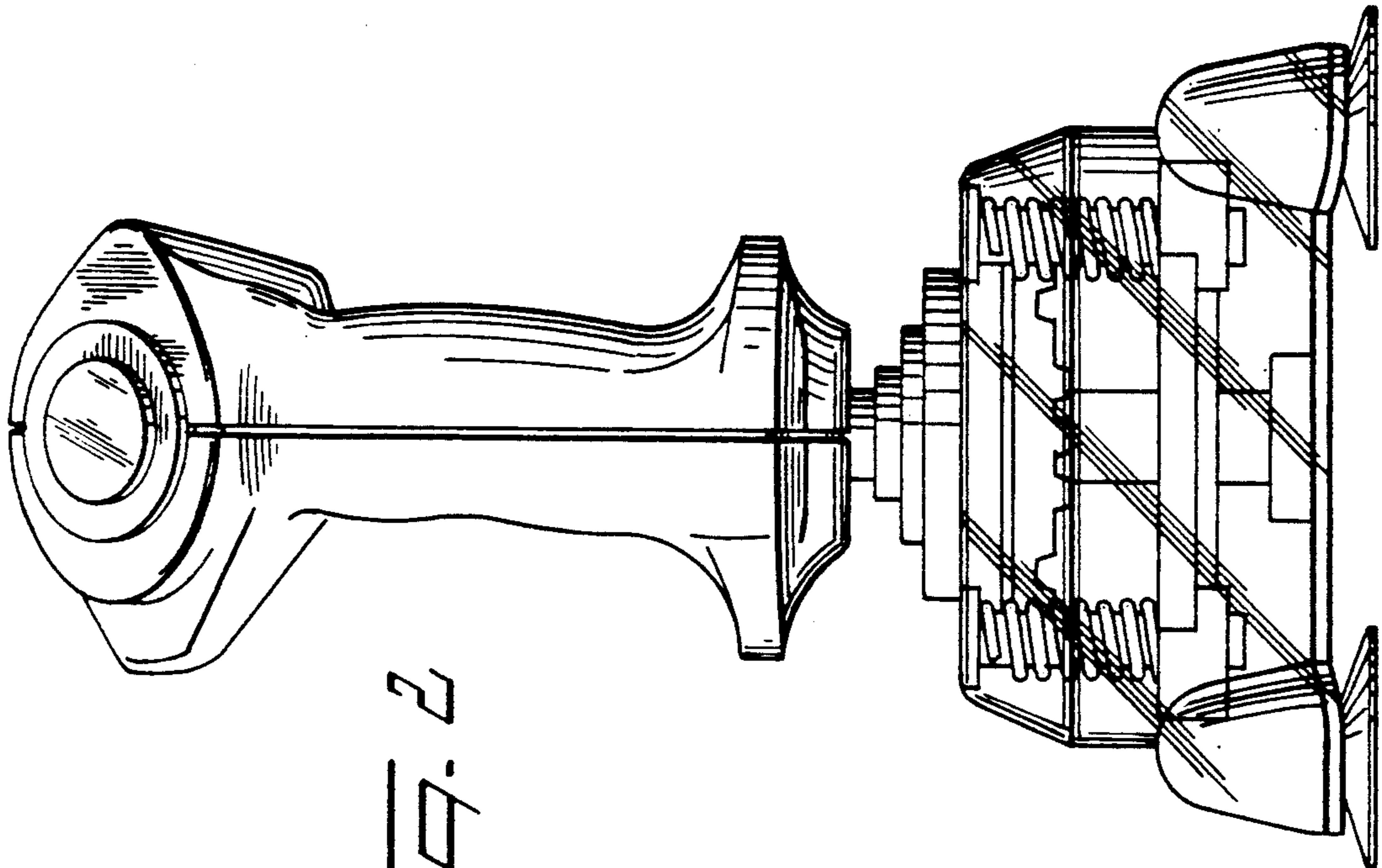


FIG. 2

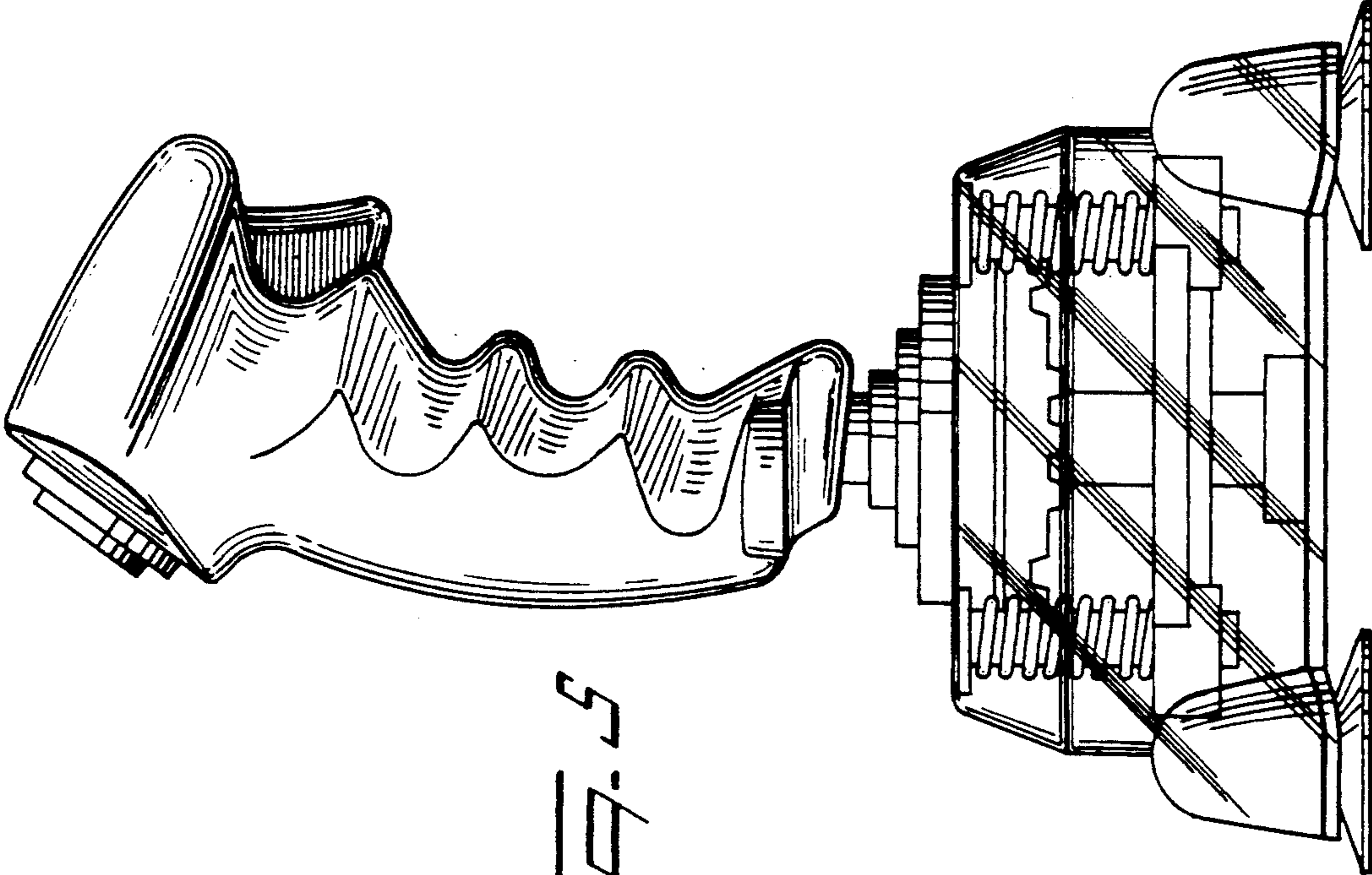


FIG. 3

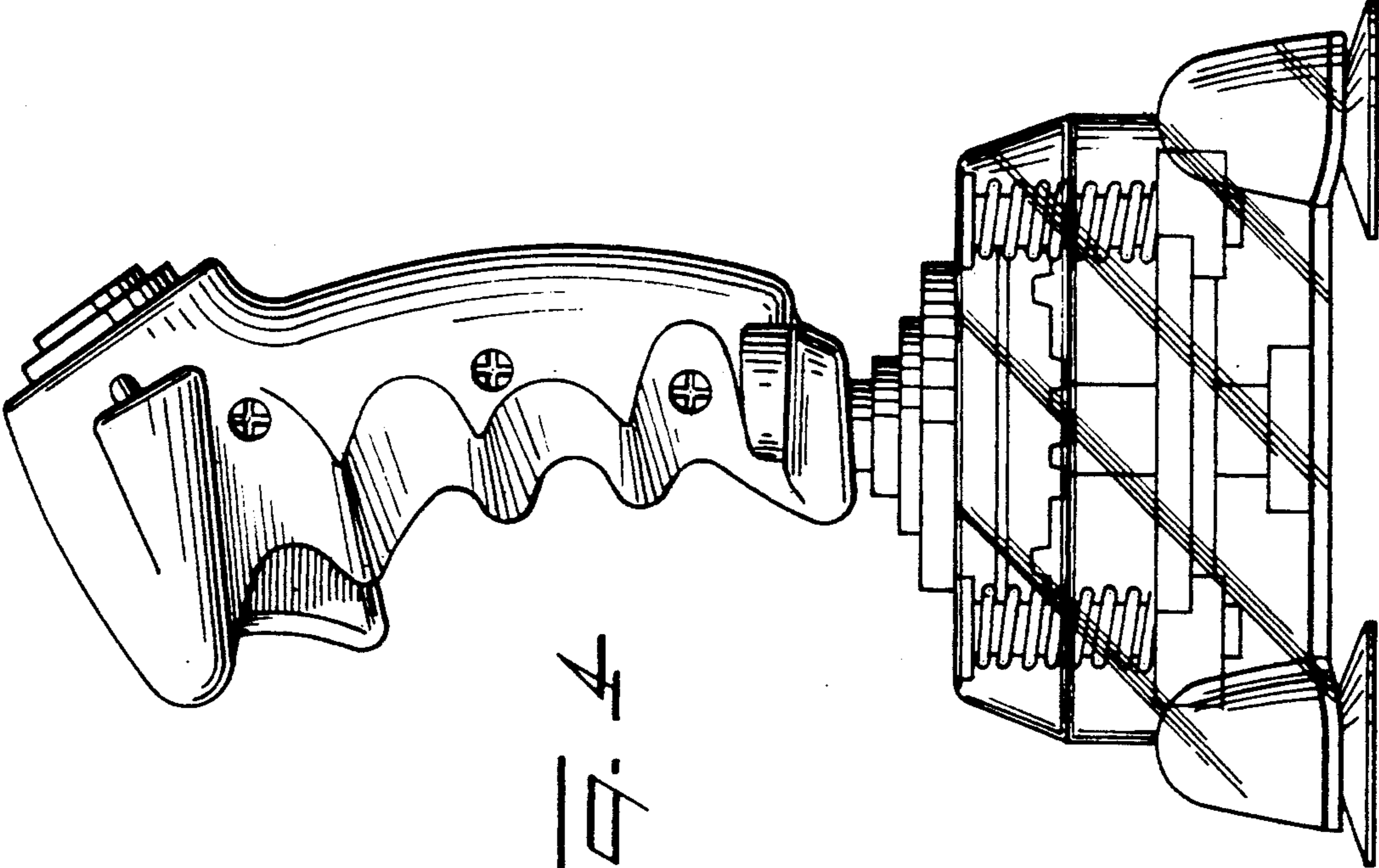


FIG. 4

FIG. 6

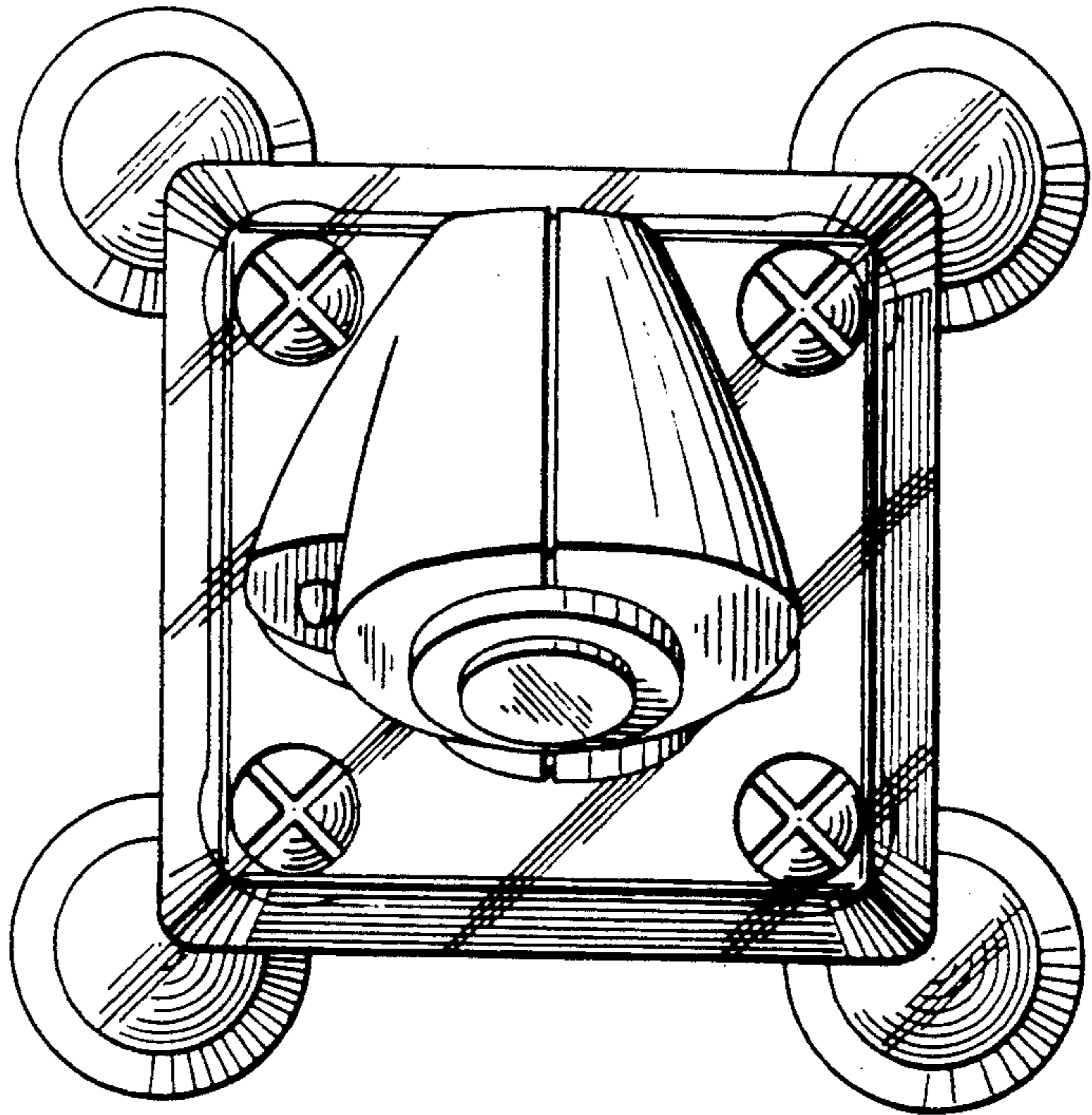


FIG. 7

