



US00D331041S

# United States Patent [19]

[11] Patent Number: **Des. 331,041**

Fountain

[45] Date of Patent: **\*\* Nov. 17, 1992**

## [54] REMOTE BATTERY DISCONNECT

[76] Inventor: **John G. Fountain**, Rte. #8 Box 60, Asheboro, N.C. 27203

[\*\*] Term: **14 Years**

[21] Appl. No.: **631,067**

[22] Filed: **Dec. 20, 1990**

[52] U.S. Cl. .... **D13/160; D13/158**

[58] Field of Search ..... **D13/120, 158, 160, 178; 200/48 KB, 331, 332, 334, 337**

## [56] References Cited

### U.S. PATENT DOCUMENTS

D. 299,822	2/1989	Constable et al. ....	D13/120
1,546,802	7/1925	Steinmayer .....	200/337 X
2,119,888	6/1938	Nixon .....	200/331
2,156,024	4/1939	O'Brien .....	200/337 X
2,174,236	9/1939	Crabbs .....	200/337 X
3,103,130	9/1963	Gunter, Sr. ....	200/331 X

### FOREIGN PATENT DOCUMENTS

0817991	7/1969	Canada .....	200/331
0183931	6/1986	European Pat. Off. ....	200/331
1097925	7/1955	France .....	200/48 KB
0980181	12/1982	U.S.S.R. ....	200/331

## OTHER PUBLICATIONS

Sparkless switch in IBM Technical Disclosure Bulletin vol. 18 No. 7, 12-75.

*Primary Examiner*—Wallace R. Burke  
*Assistant Examiner*—Joel Sincavage  
*Attorney, Agent, or Firm*—Leon Gilden

## [57] CLAIM

The ornamental design for a remote battery disconnect, as shown and described.

## DESCRIPTION

FIG. 1 is a front elevational view of the remote battery disconnect showing my new design;  
 FIG. 2 is a rear elevational view thereof;  
 FIG. 3 is a left side elevational view thereof;  
 FIG. 4 is a right side elevational view thereof;  
 FIG. 5 is a top plan view thereof;  
 FIG. 6 is a bottom plan view thereof;  
 FIG. 7 is a front elevational view showing a use thereof; and,  
 FIG. 8 is a perspective view thereof.

The broken line showing of the battery cable and battery is included for the purpose of illustrating environmental elements only and forms no part of the claimed design.

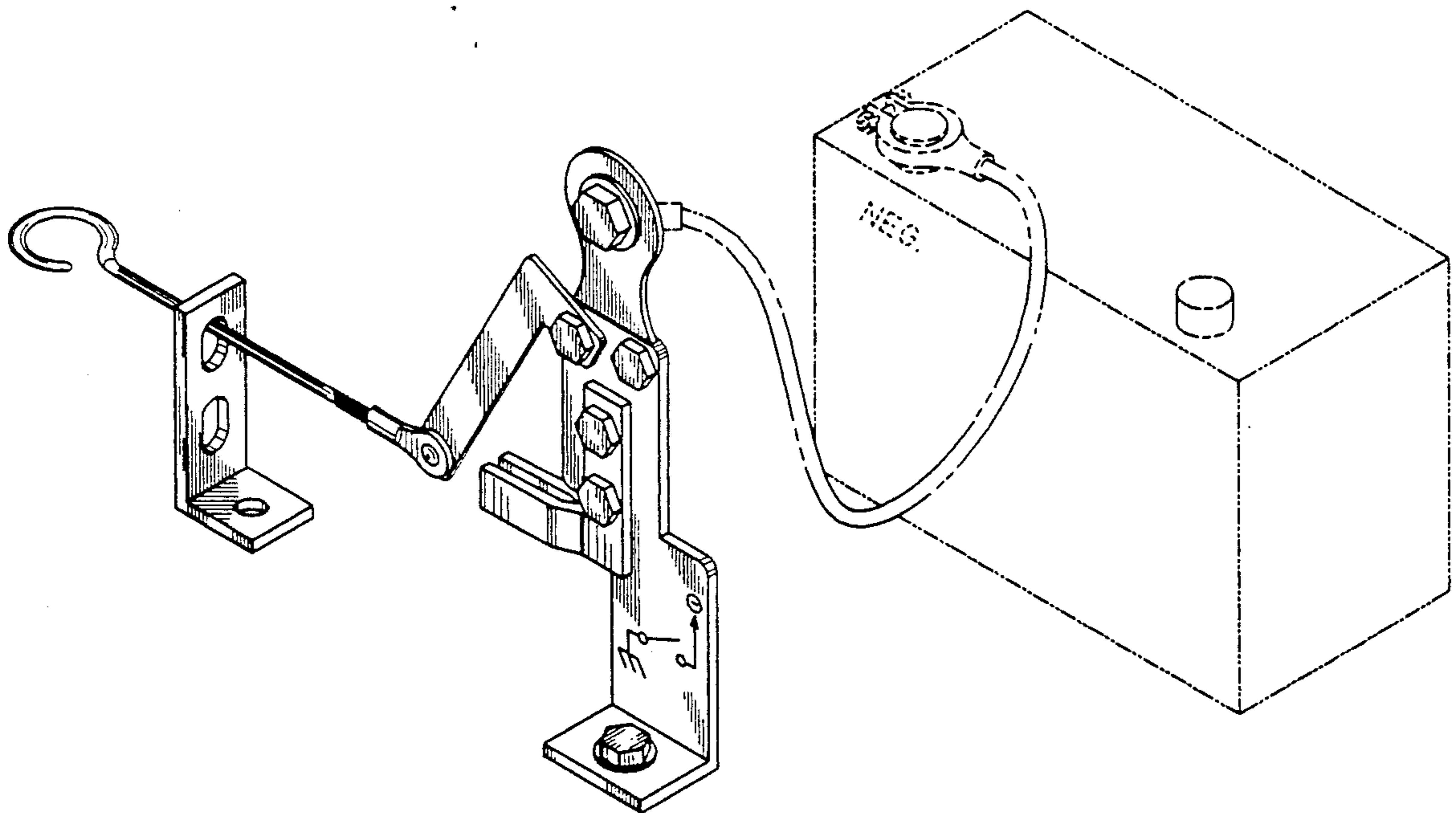


FIG. 1

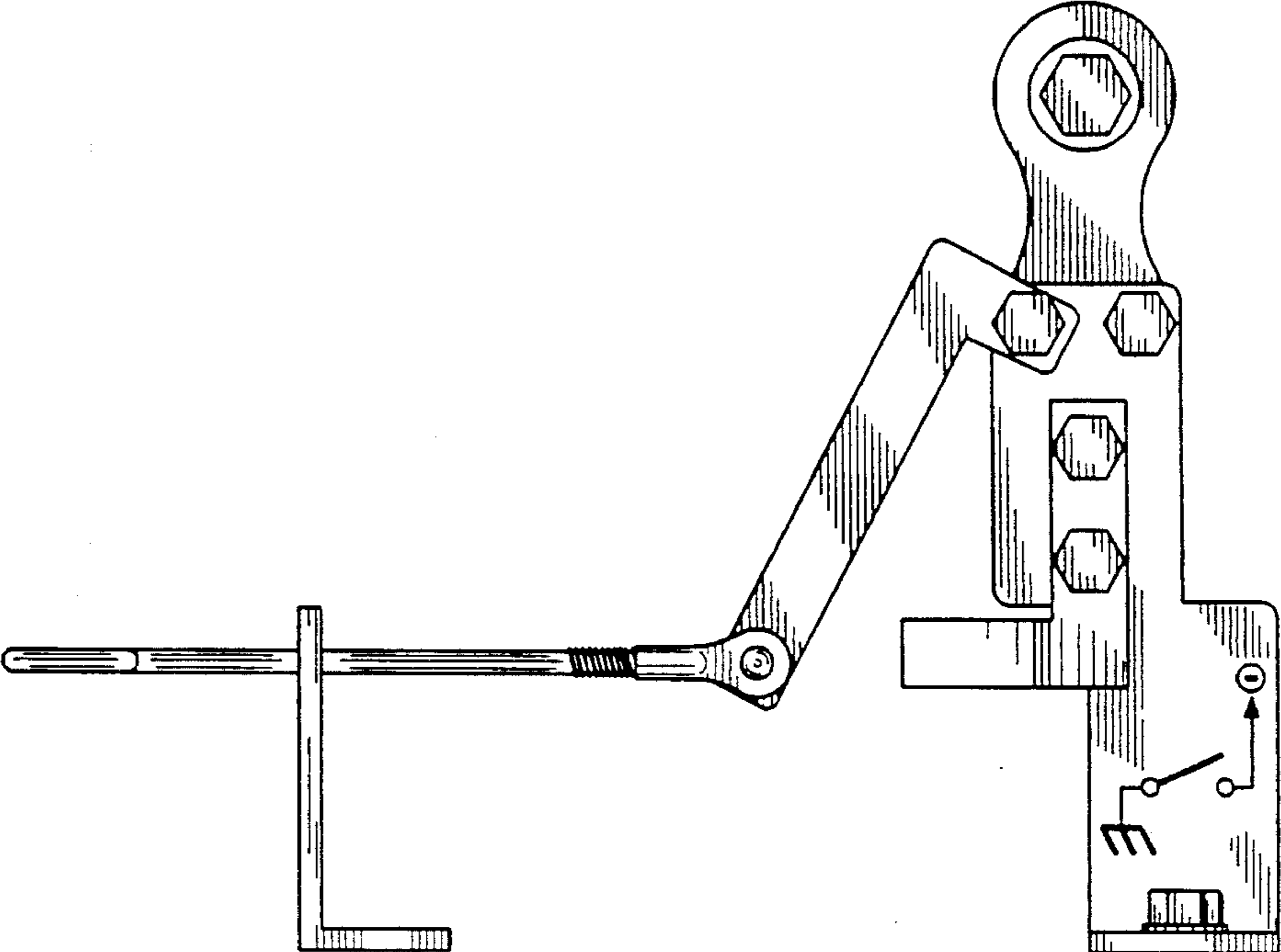


FIG. 2

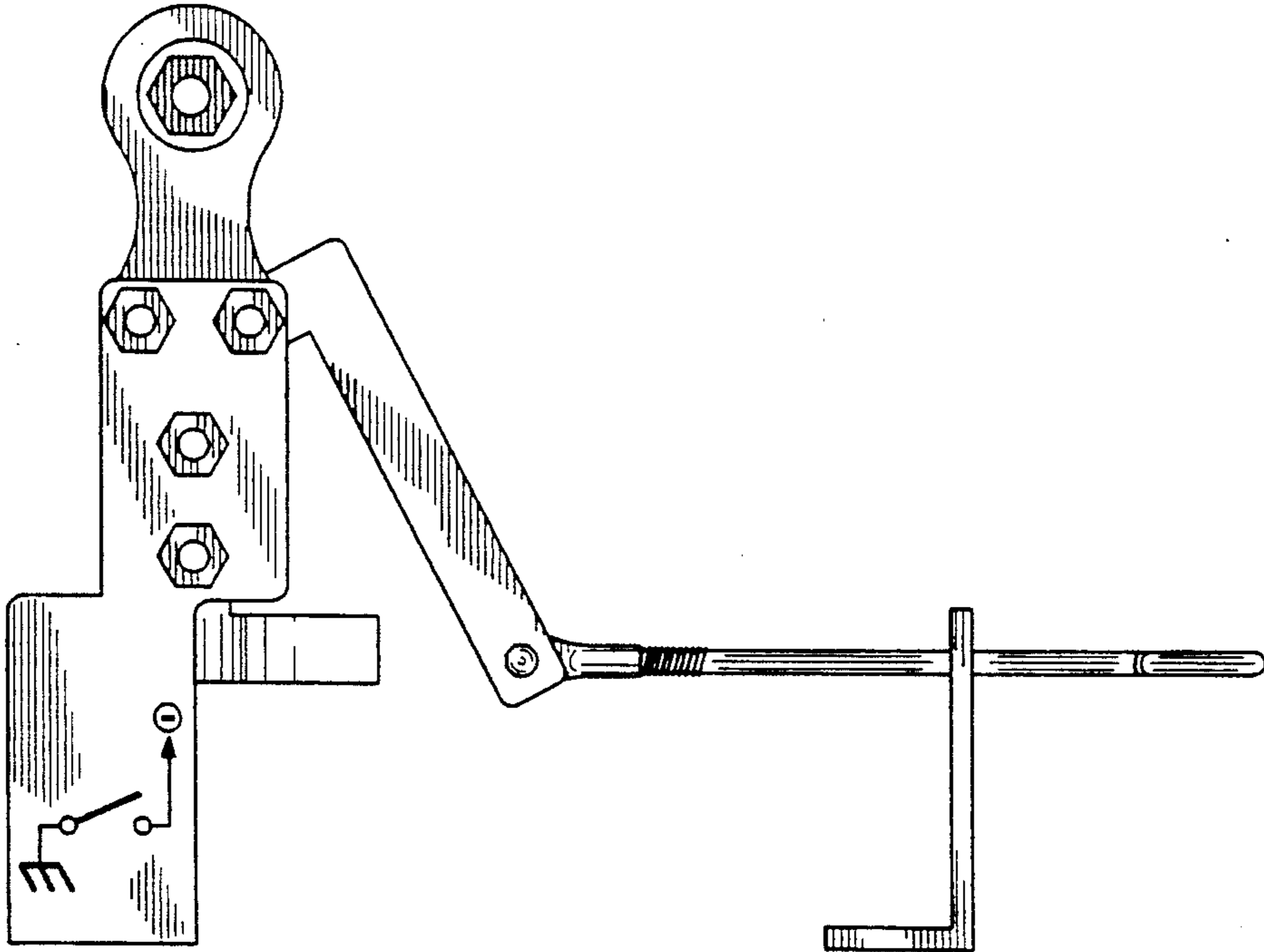


FIG. 4

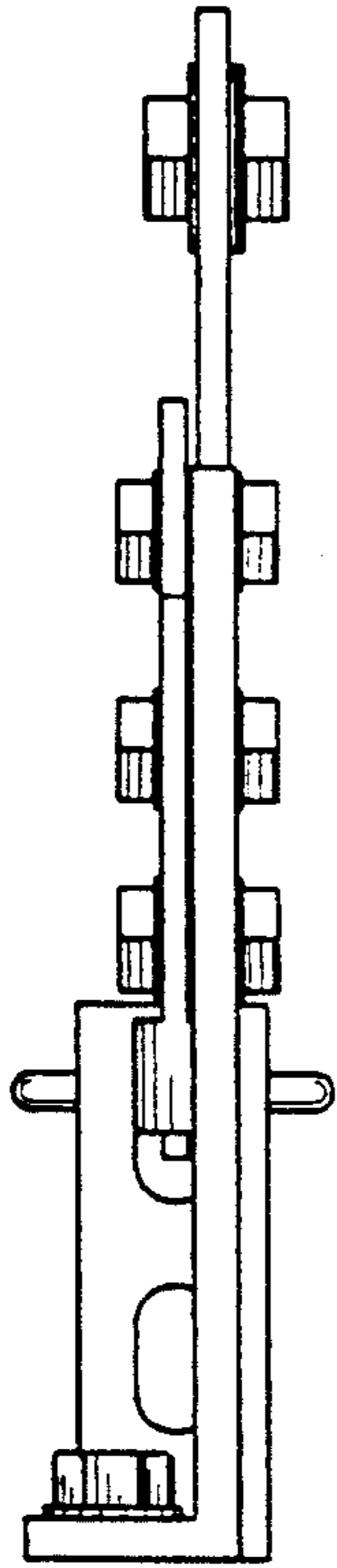


FIG. 3

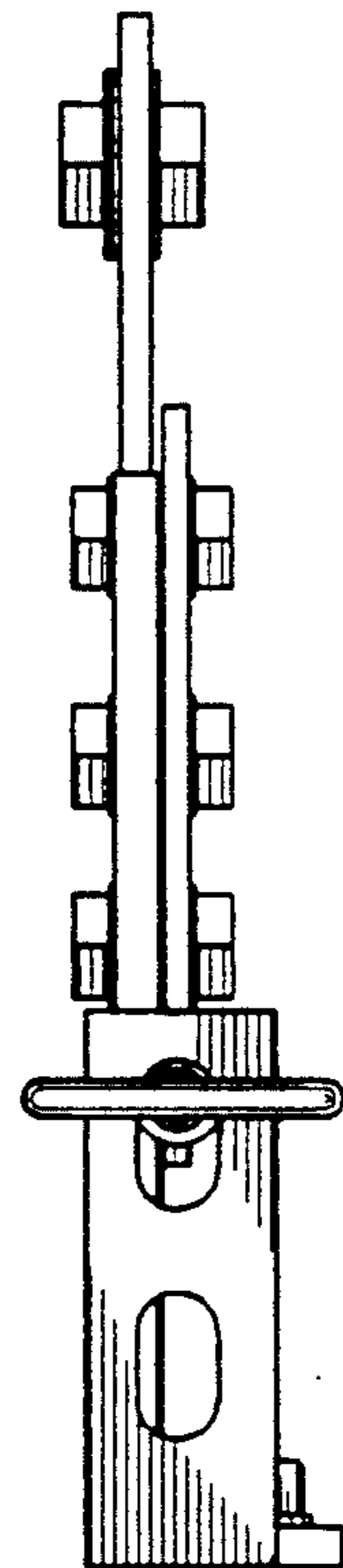


FIG. 5

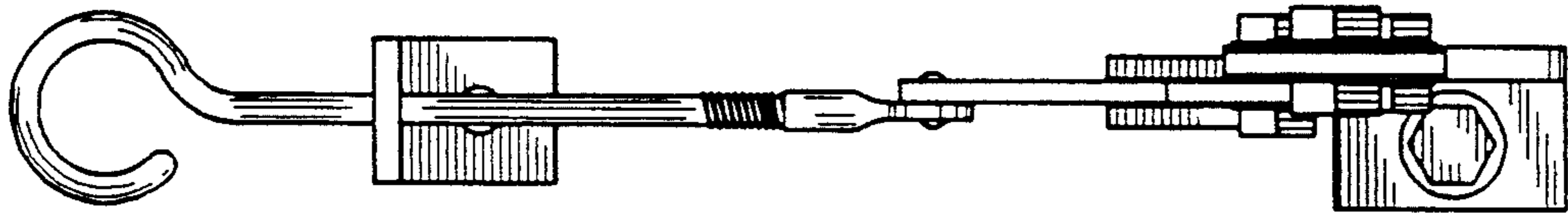


FIG. 6

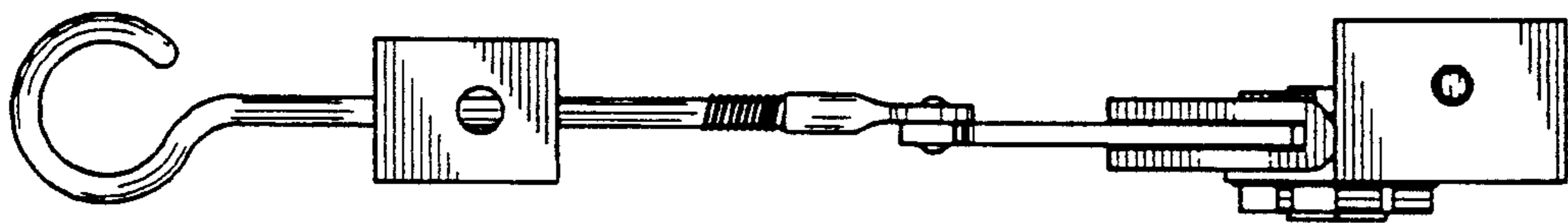


FIG. 7

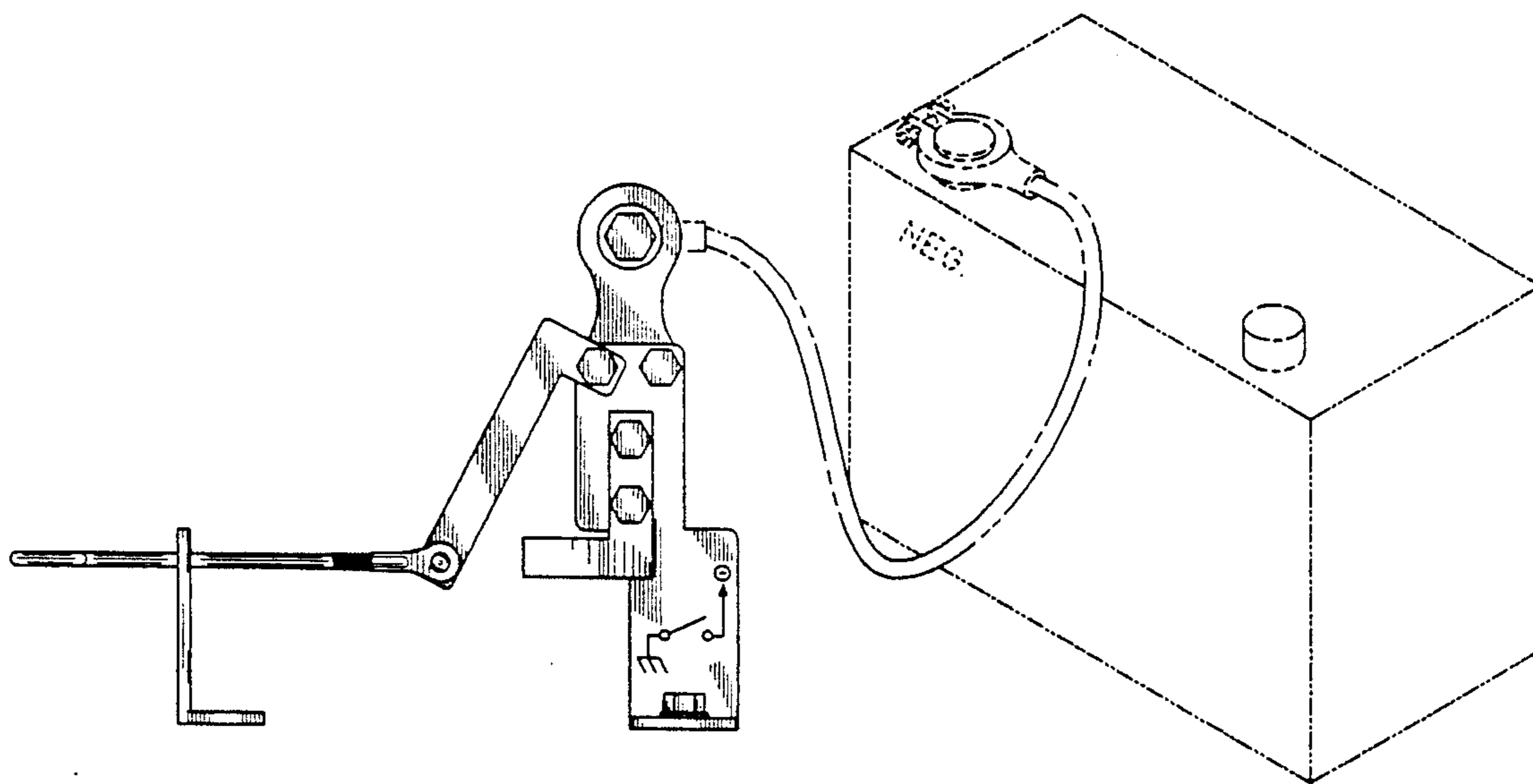


FIG. 8

