



US00D331036S

# United States Patent [19]

[11] Patent Number: **Des. 331,036**

Isley

[45] Date of Patent: **\*\* Nov. 17, 1992**

[54] REAR VIEW MIRROR WIPER WASHER

[57] CLAIM

[76] Inventor: **Richard E. Isley**, 14313 SE. 12th St.,  
Vancouver, Wash. 98684

The ornamental design for a rear view mirror wiper washer, as shown and described.

[\*\*] Term: **14 Years**

### DESCRIPTION

[21] Appl. No.: **574,941**

FIG. 1 is a front elevational view of the rear view mirror wiper washer showing my new design;  
FIG. 2 is a rear elevational view thereof;  
FIG. 3 is a left side elevational view thereof;  
FIG. 4 is a right side elevational view;  
FIG. 5 is a top plan view thereof;  
FIG. 6 is a bottom plan view thereof;  
FIG. 7 is an enlarged front elevational view thereof;  
FIG. 8 is a front elevational view of a rear view mirror wiper washer showing a second embodiment of my new design;  
FIG. 9 is a rear elevational view of FIG. 8;  
FIG. 10 is a left side elevational view of FIG. 8;  
FIG. 11 is a right side elevational view of FIG. 8;  
FIG. 12 is a top plan view of FIG. 8;  
FIG. 13 is a bottom plan view of FIG. 8; and,  
FIG. 14 is an enlarged front elevational view of FIG. 8. The broken line showing of a rear view mirror in FIGS. 7 and 14 of the drawing is for illustrative purposes only and forms no part of the claimed design.

[22] Filed: **Aug. 30, 1990**

[52] U.S. Cl. .... **D12/155; D12/188**

[58] Field of Search ..... **D12/155, 187, 188;**  
**15/250 B, 250.01; 350/582**

### [56] References Cited

#### U.S. PATENT DOCUMENTS

3,855,661 12/1974 Prince ..... 15/250 B  
4,763,381 8/1988 Williams ..... 15/250 B

*Primary Examiner*—James M. Gandy  
*Attorney, Agent, or Firm*—Leon Gilden

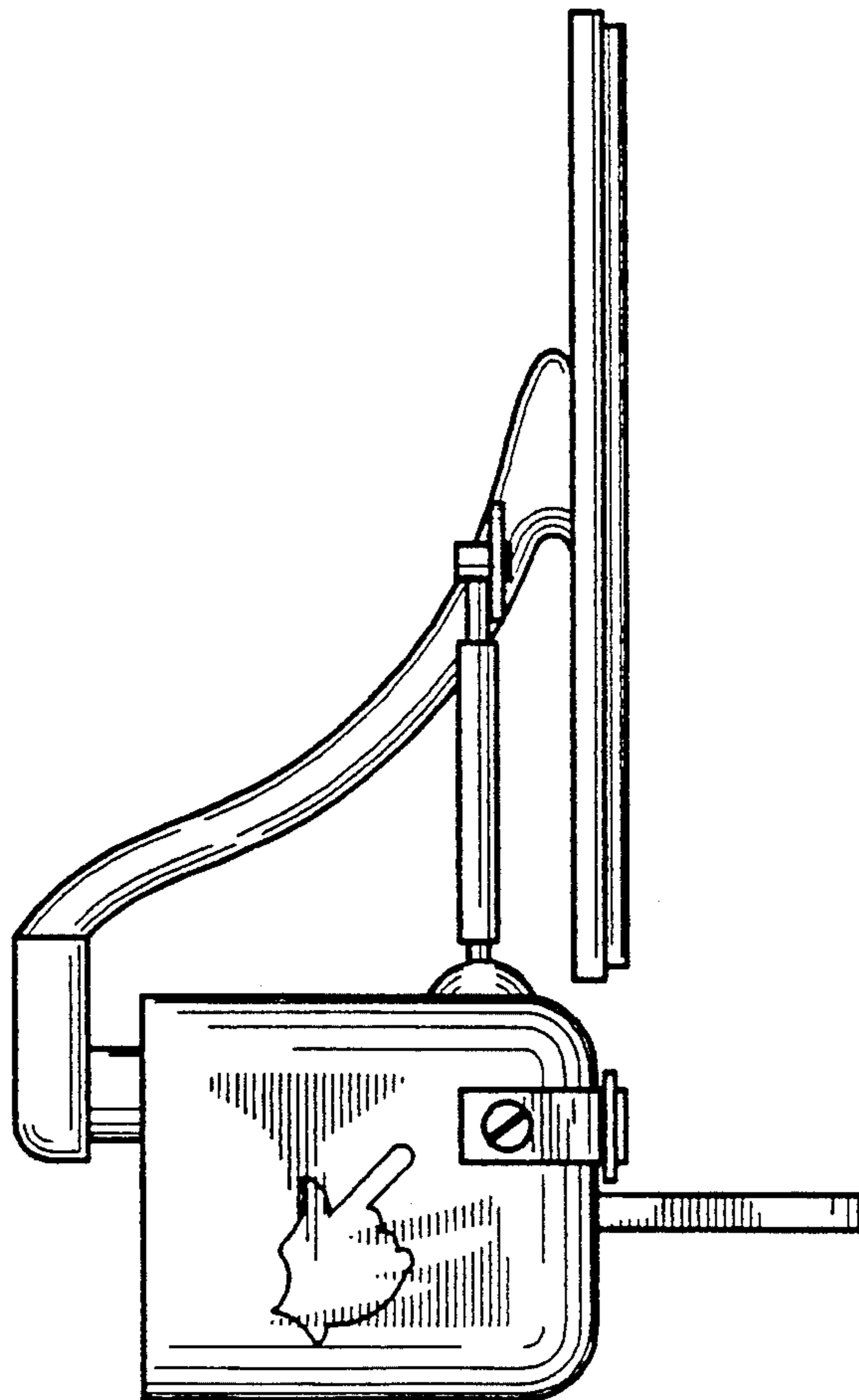


FIG. 1

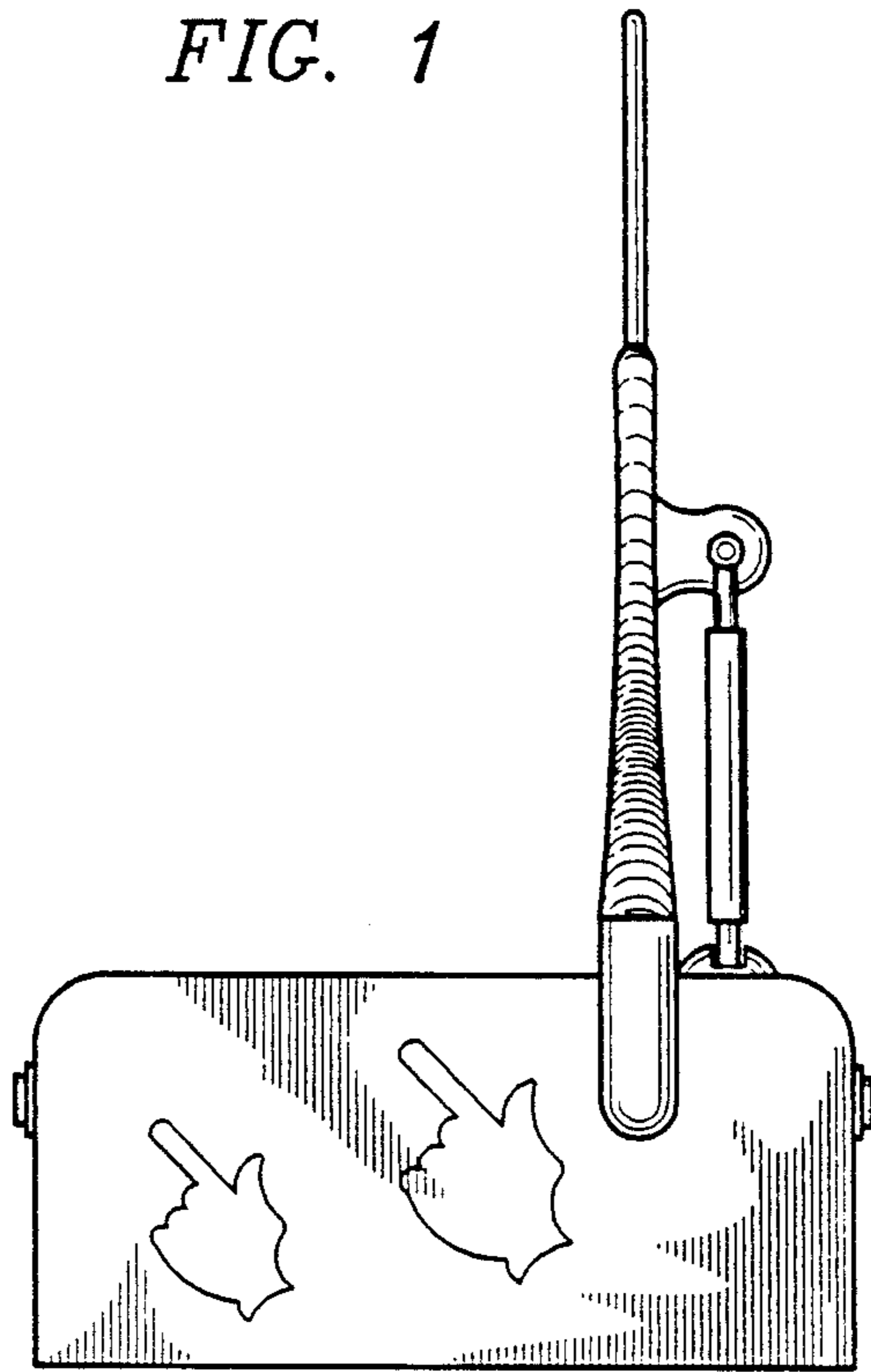


FIG. 2

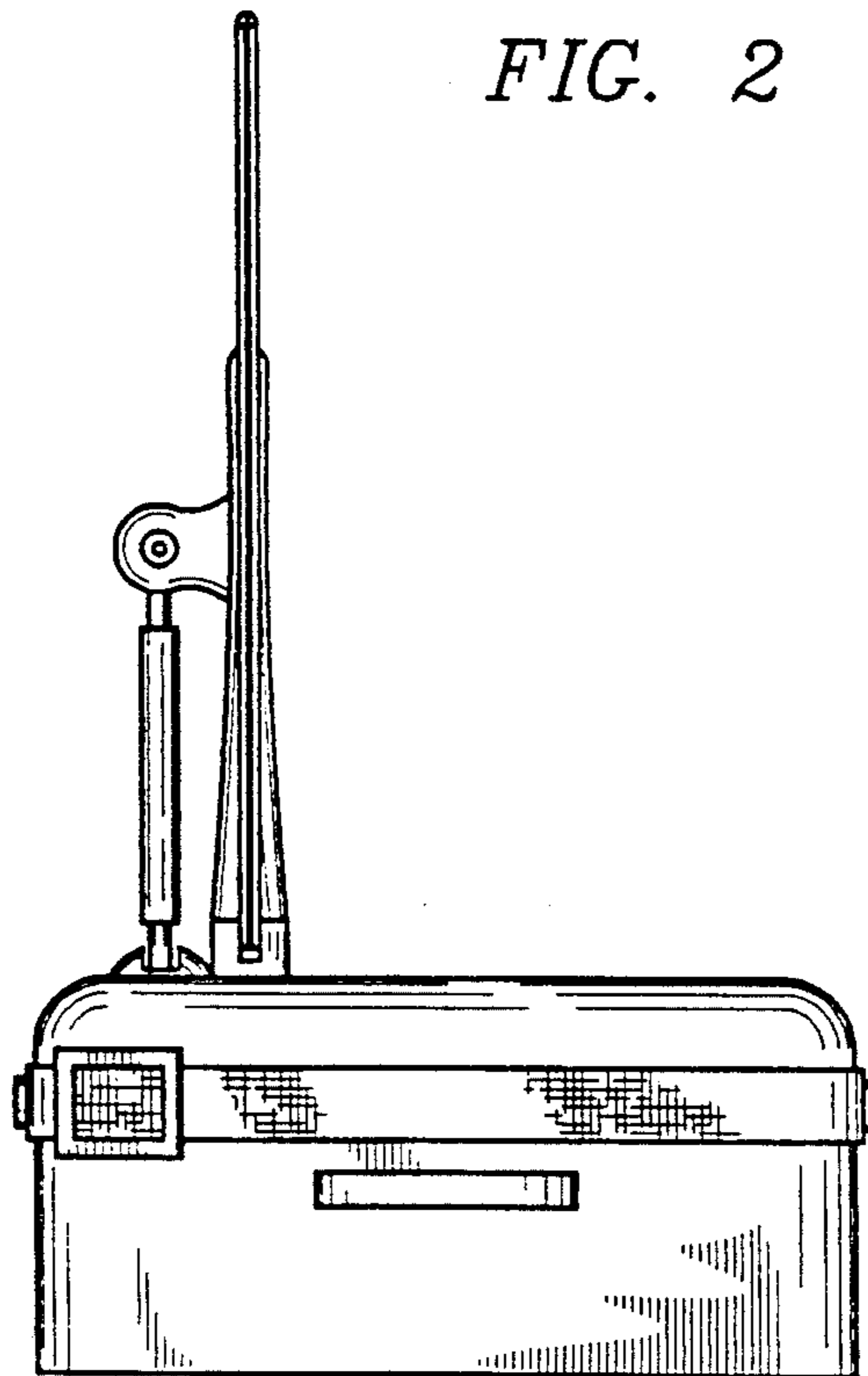


FIG. 3

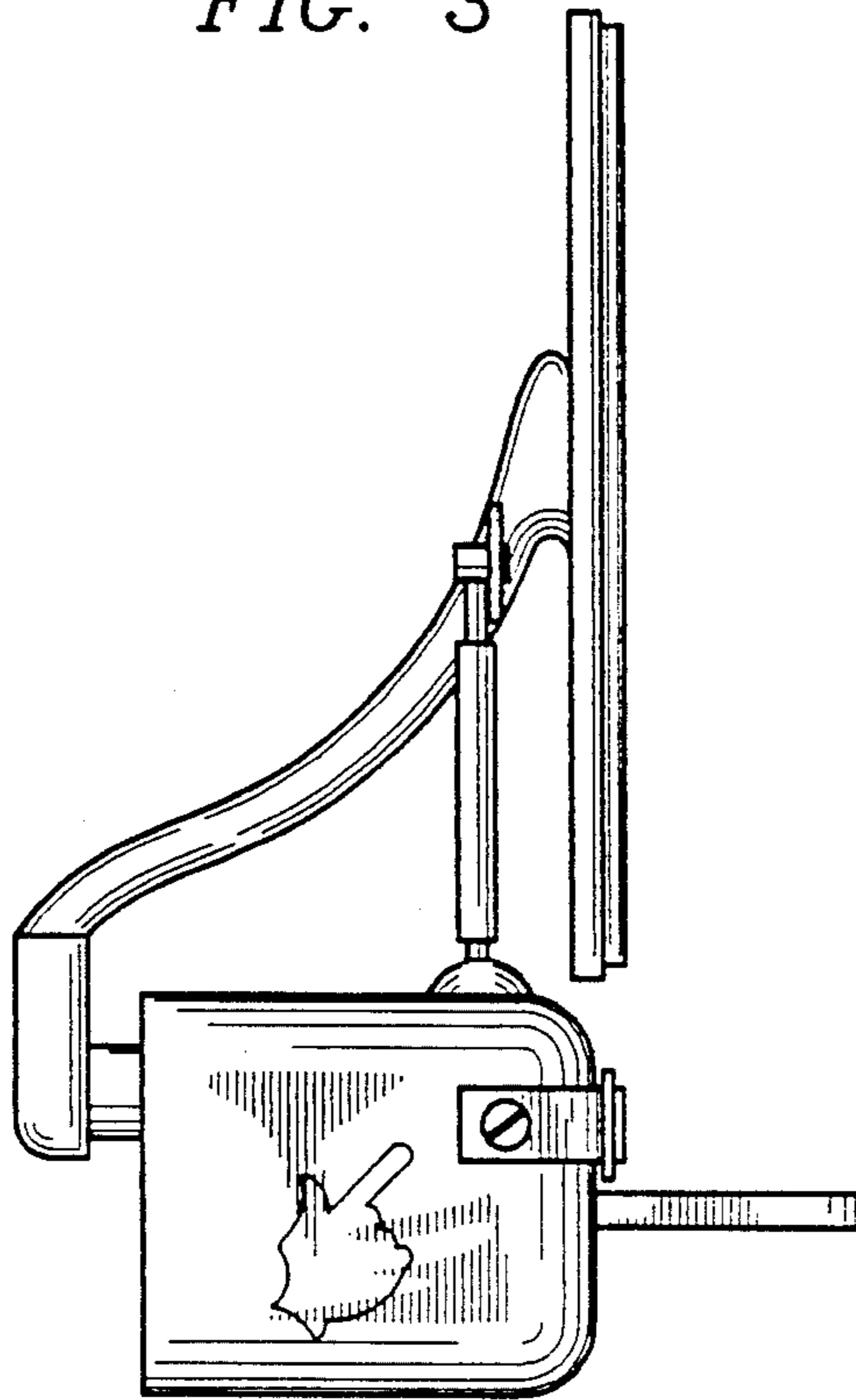


FIG. 4

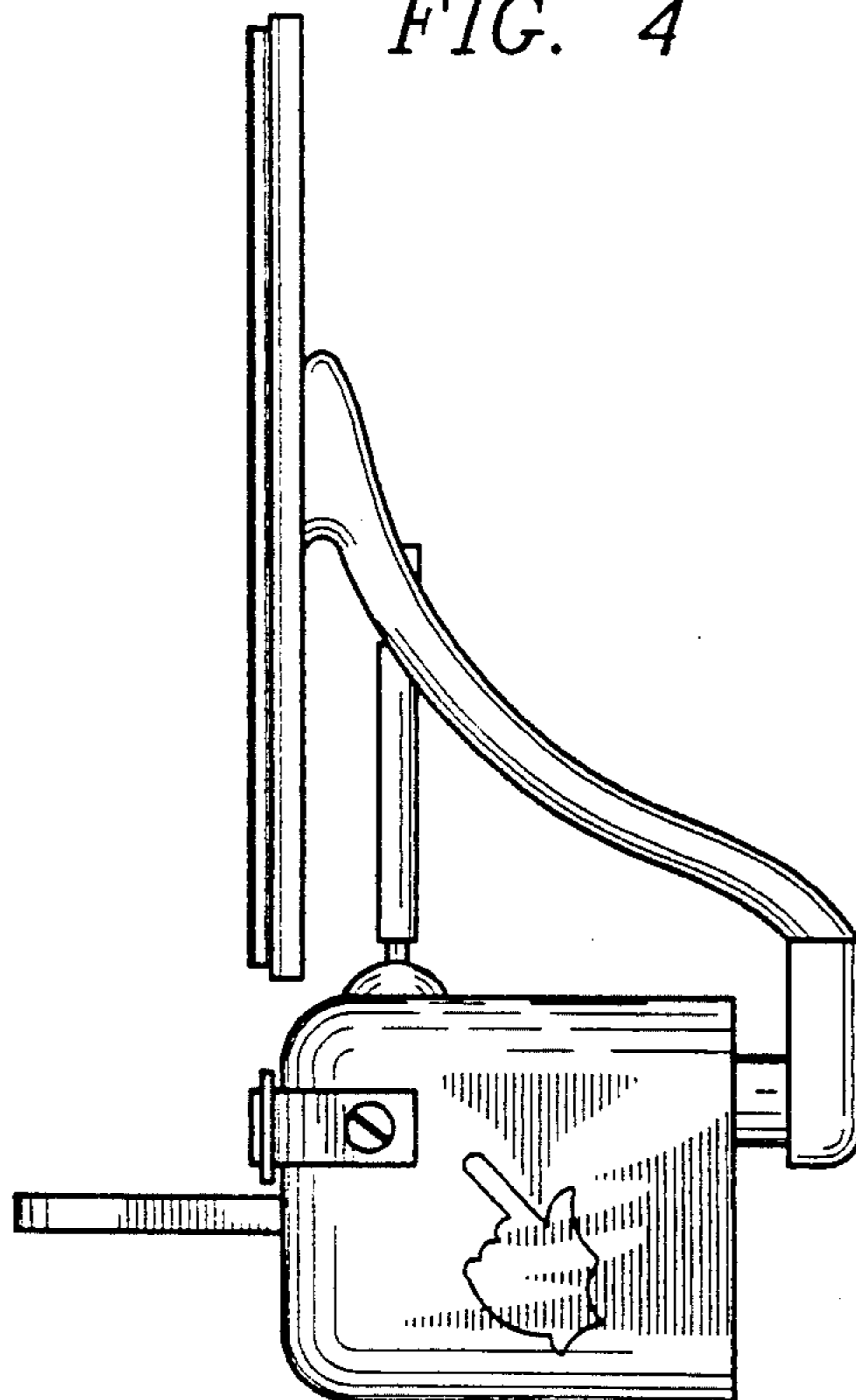


FIG. 5

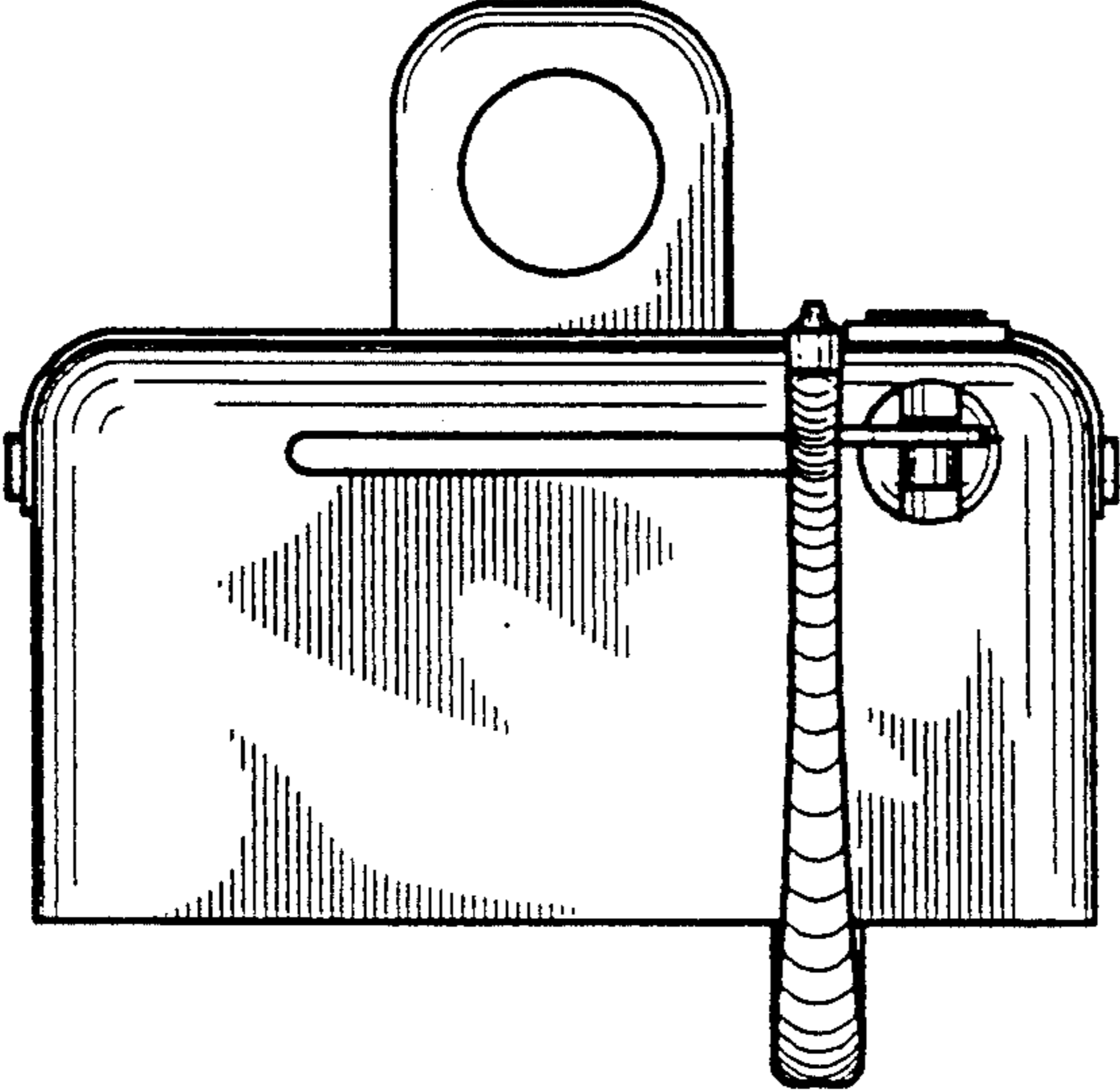


FIG. 6

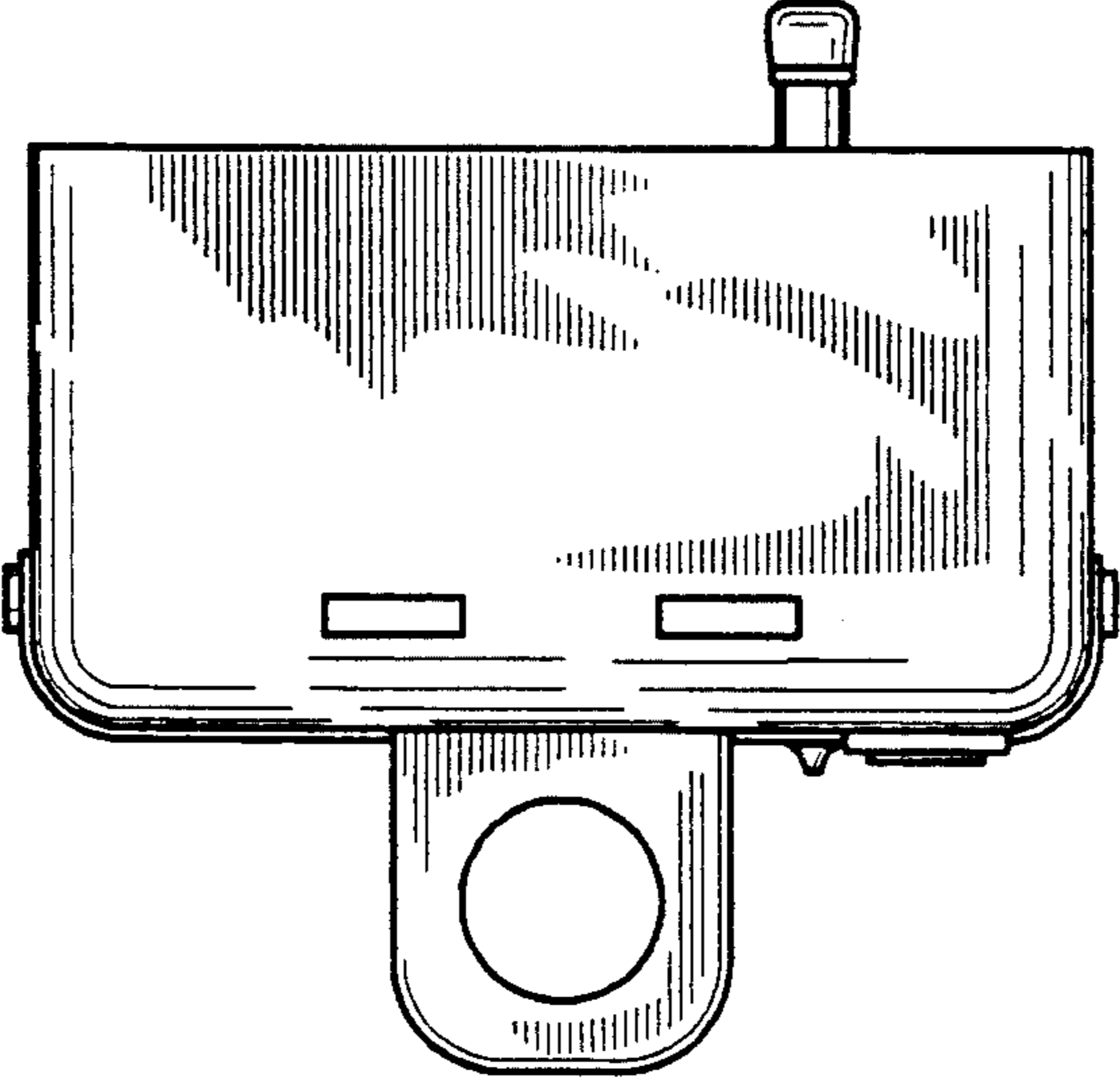


FIG. 7

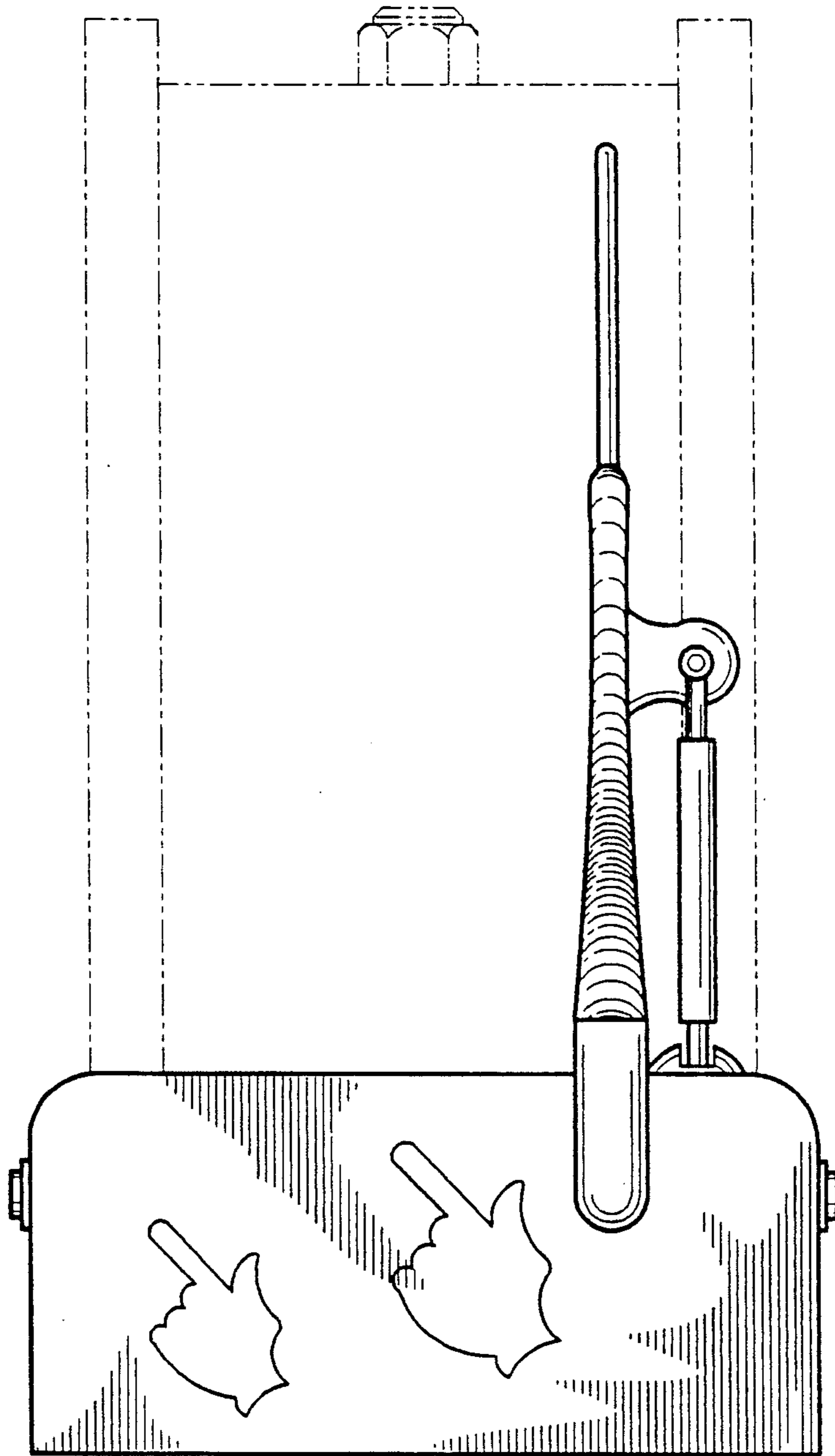


FIG. 8

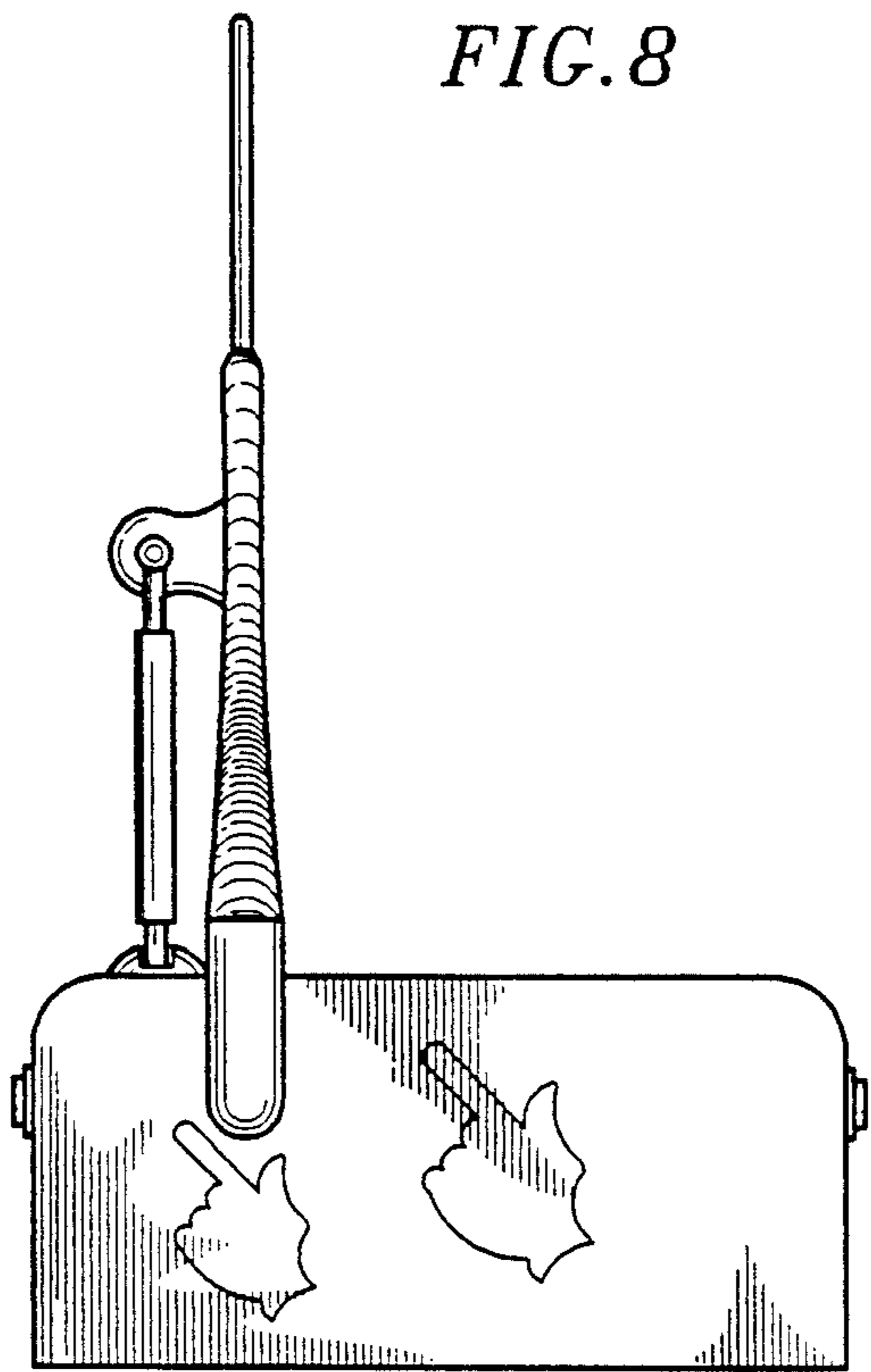
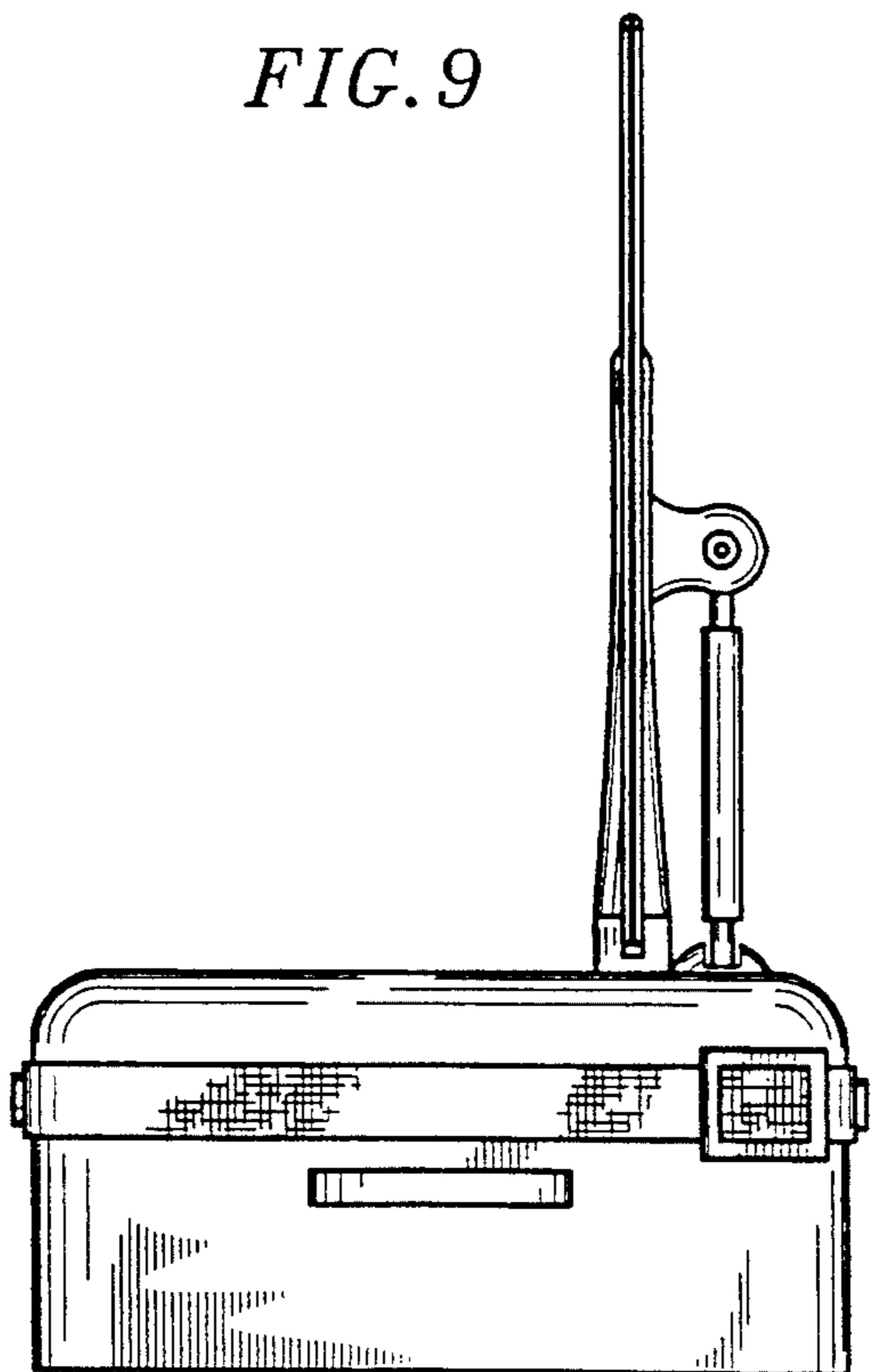
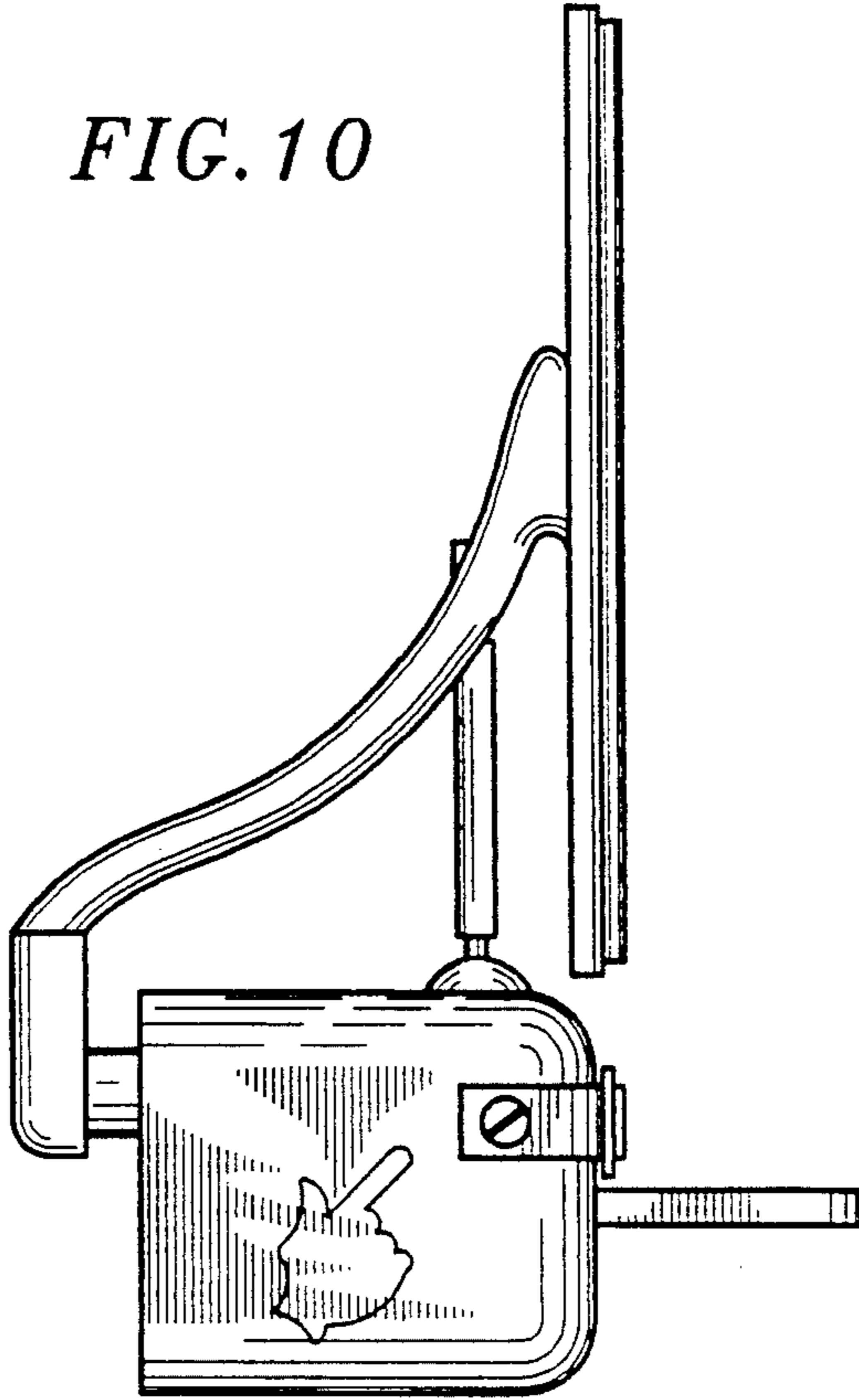


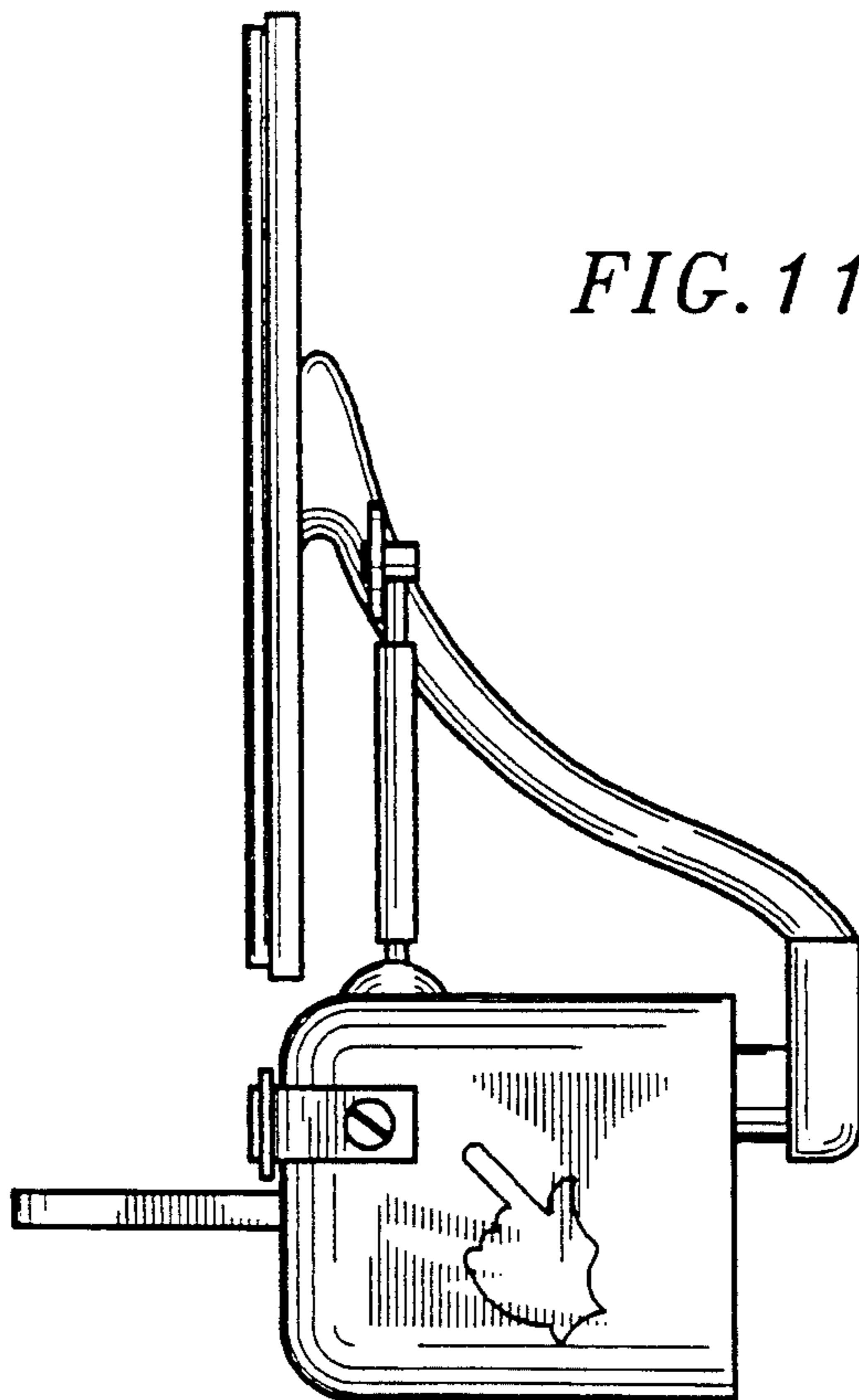
FIG. 9



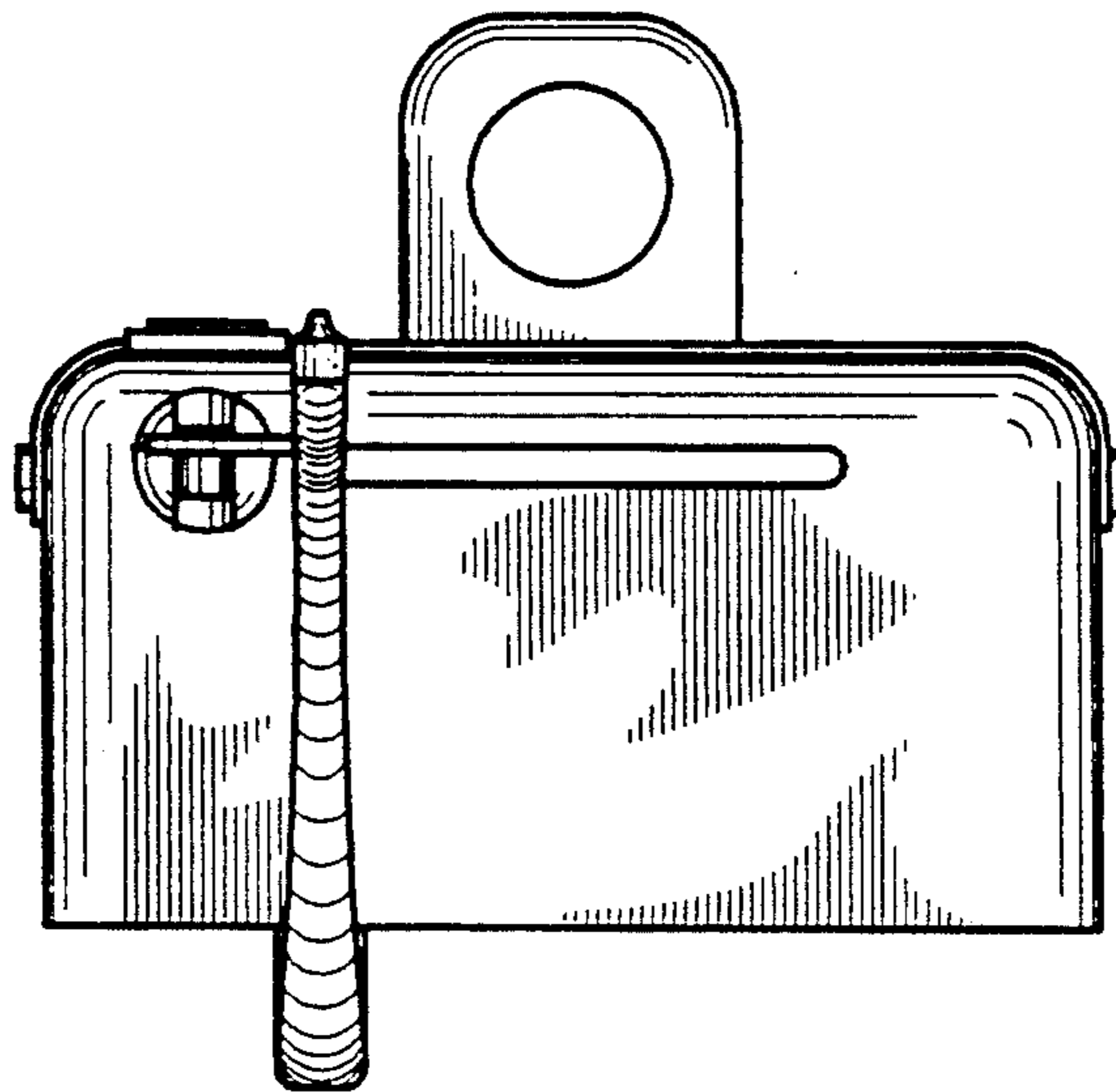
*FIG. 10*



*FIG. 11*



*FIG. 12*



*FIG. 13*

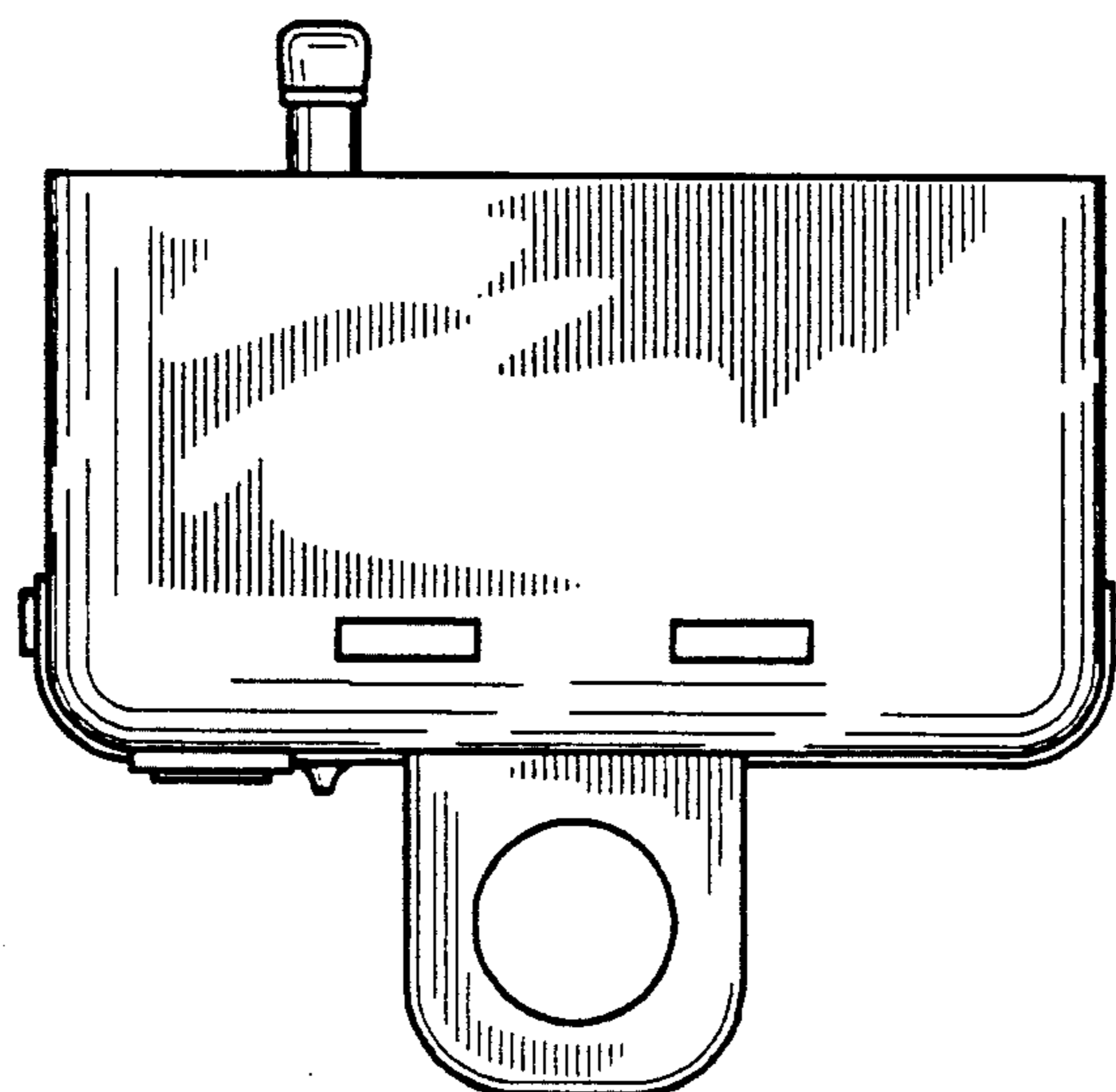




FIG. 14

