



US00D331034S

United States Patent [19]
McMurtrey

[11] Patent Number: **Des. 331,034**

[45] Date of Patent: **** Nov. 17, 1992**

[54] **BICYCLE PEDAL TREAD**

[75] Inventor: **David K. McMurtrey**, Maysville, Ky.

[73] Assignee: **Wald Manufacturing Co., Inc.**,
Maysville, Ky.

[**] Term: **14 Years**

[21] Appl. No.: **736,127**

[22] Filed: **Jul. 26, 1991**

[52] U.S. Cl. **D12/125**

[58] Field of Search **D12/125; 74/594.4, 594.6**

[56] **References Cited**

U.S. PATENT DOCUMENTS

| | | | |
|------------|--------|--------------------|----------|
| D. 251.552 | 4/1979 | Humlong | D12/125 |
| D. 260.249 | 8/1981 | Humlong | D12/125 |
| D. 282.730 | 2/1986 | Pawsat et al. | 74/594.4 |
| 3,709.058 | 1/1973 | Pawsat | 74/594.4 |

OTHER PUBLICATIONS

Model C Pedal Rubbert, p. 284, Japan's Bicycle Guide 1985.

Model VP-306 Pedal, Hung Kuang Industrial Co., Ltd., p. 362, Taiwan Bicycles & Parts Buyers' Guide, 1988.

Primary Examiner—Wallace R. Burke

Assistant Examiner—Melody Brown

Attorney, Agent, or Firm—Wood, Herron & Evans

[57] **CLAIM**

The ornamental design for a bicycle pedal tread, as shown and described.

DESCRIPTION

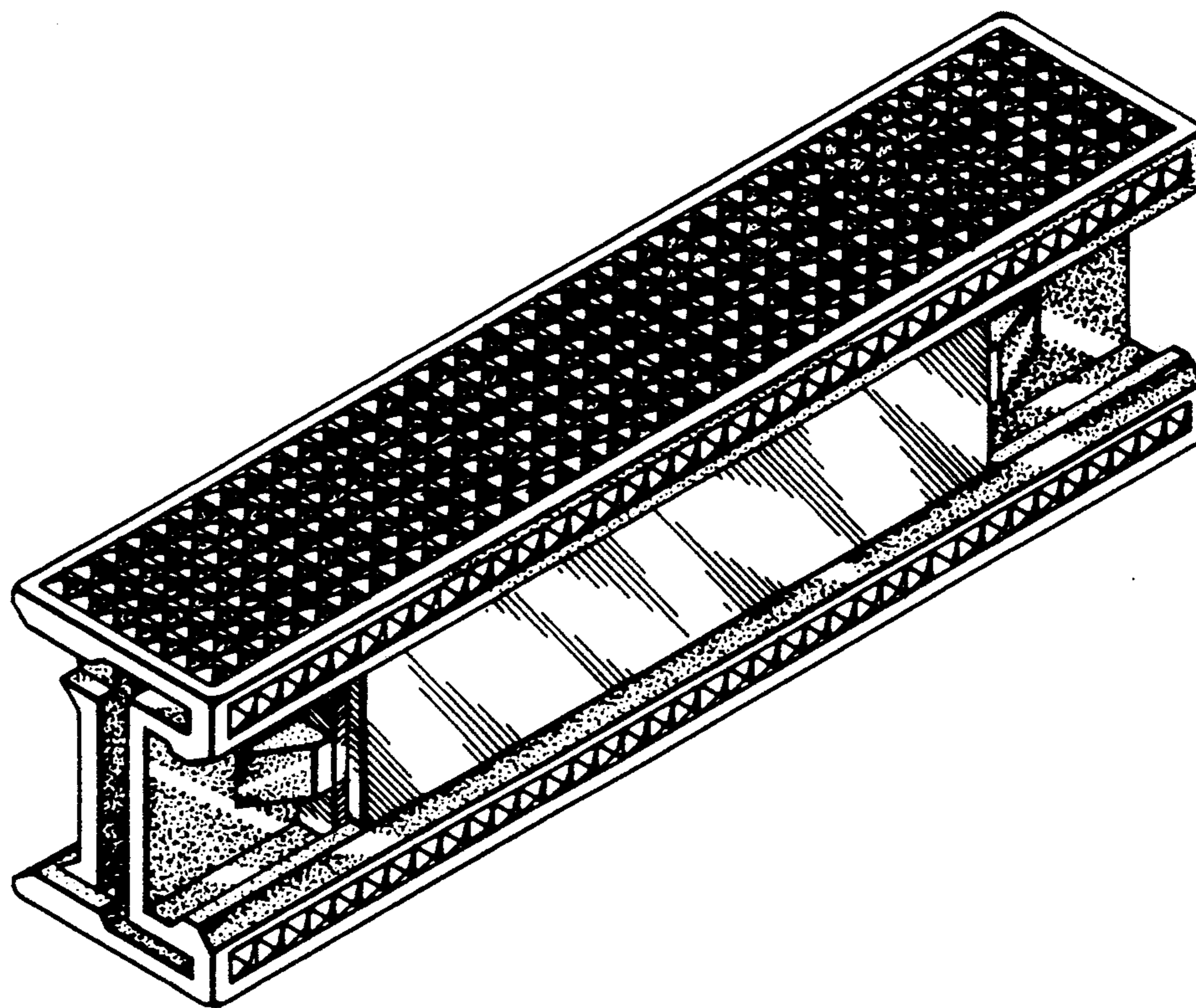
FIG. 1 is a top perspective view of a bicycle pedal tread, showing my new design;

FIG. 2 is an end elevational view thereof, the opposite end being a mirror image thereof;

FIG. 3 is a front elevational view thereof;

FIG. 4 is a top plan view thereof, the bottom plan view being a mirror image thereof; and,

FIG. 5 is a rear elevational view thereof.



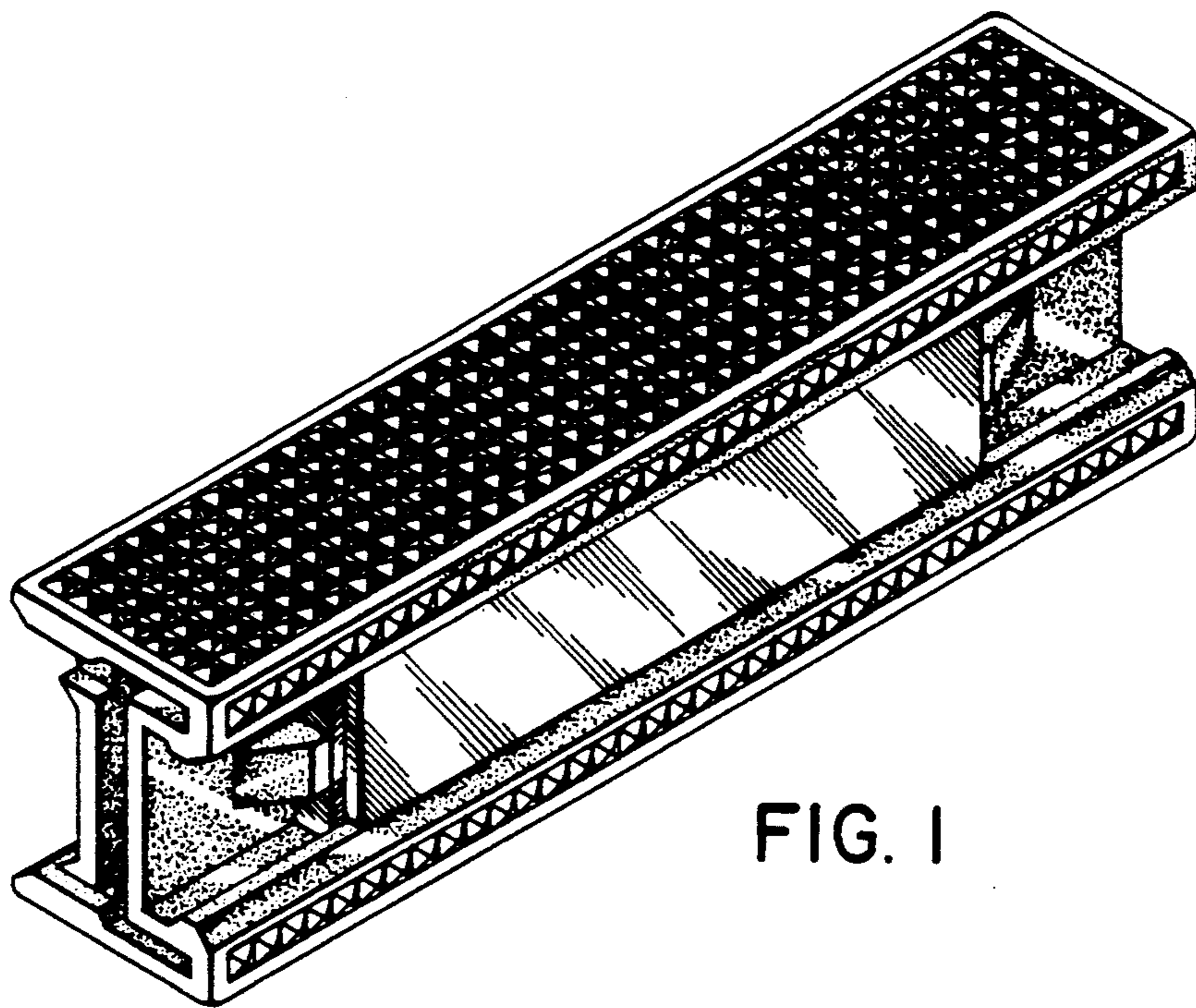


FIG. 1

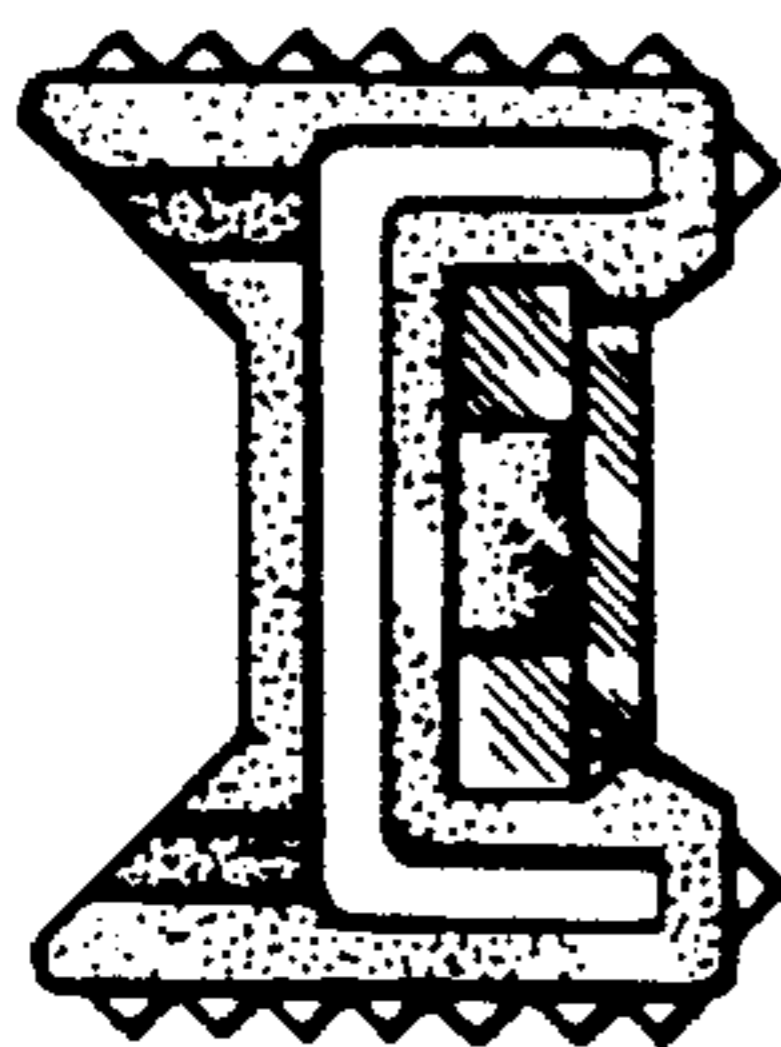


FIG. 2

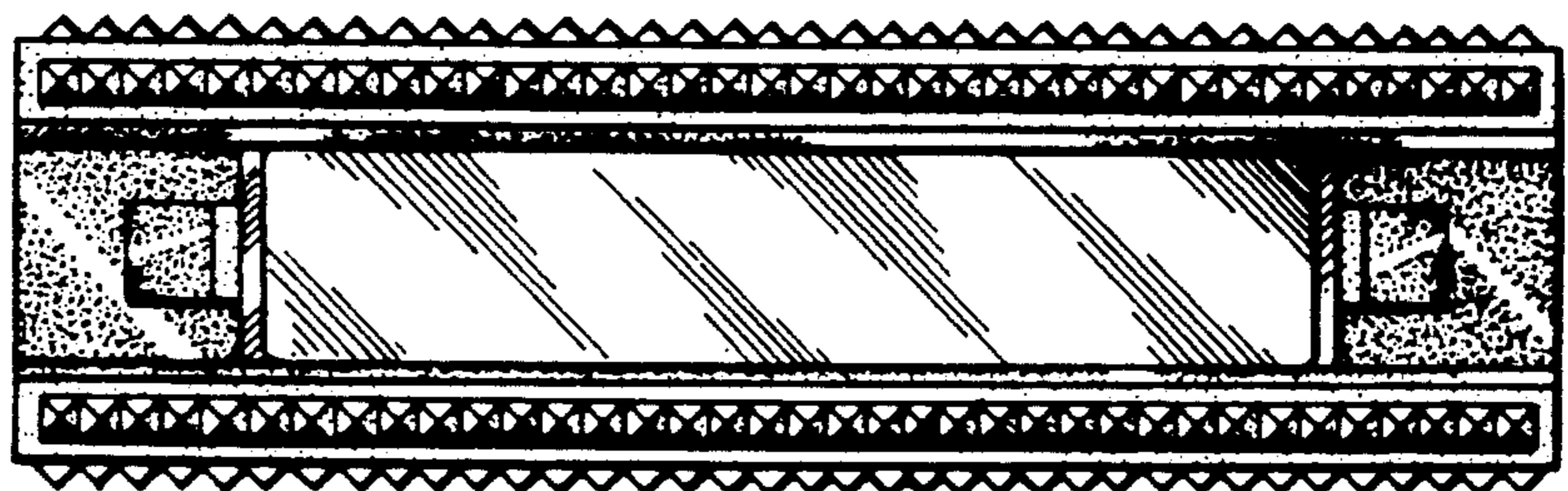


FIG. 3

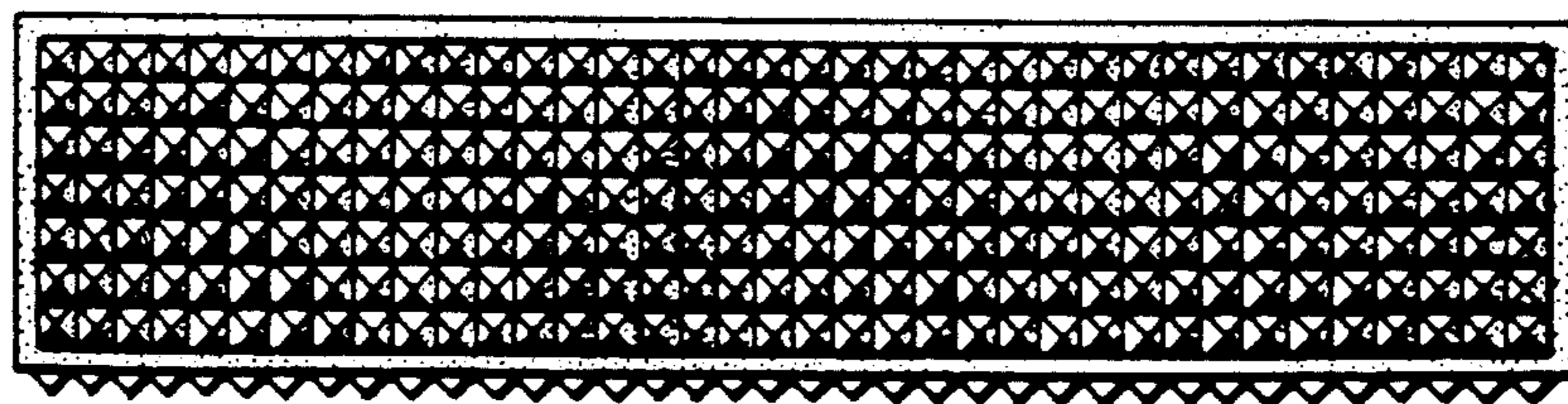


FIG. 4

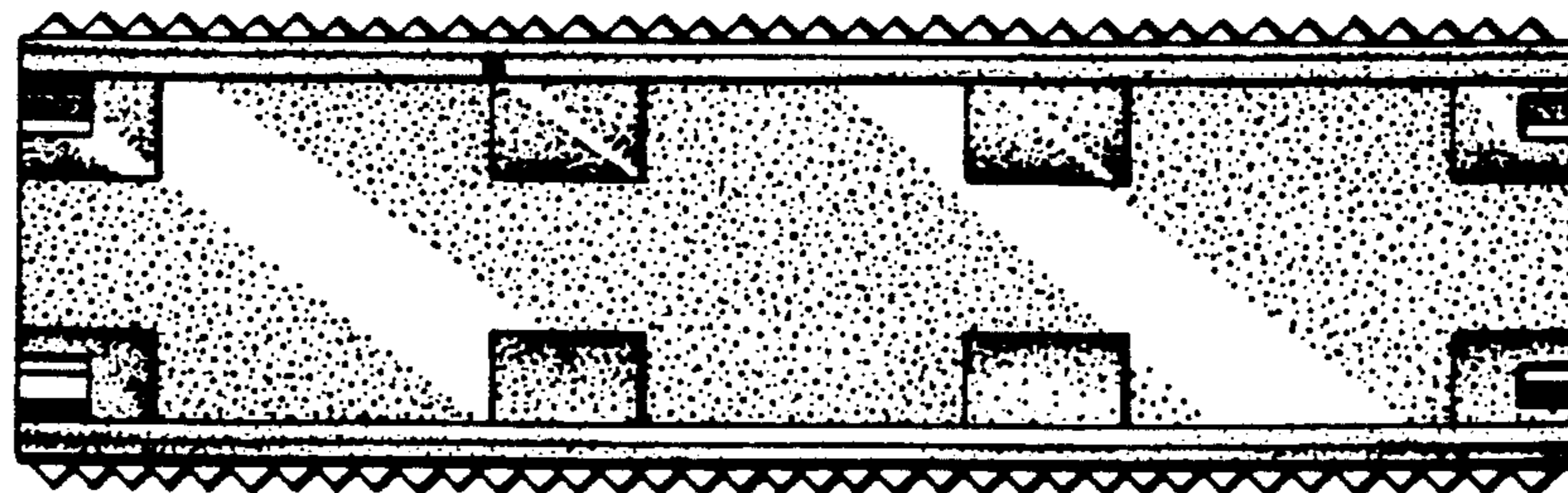


FIG. 5