



US00D331031S

United States Patent [19]

[11] Patent Number: **Des. 331,031**

Janoff

[45] Date of Patent: **** Nov. 17, 1992**

[54] **LAND SLED**

Attorney, Agent, or Firm—James F. Duffy

[76] Inventor: **William E. Janoff**, 11611 N. 106th St., Scottsdale, Ariz. 85259

[57] **CLAIM**

The ornamental design for a land sled, as shown and described.

[**] Term: **14 Years**

[21] Appl. No.: **713,341**

DESCRIPTION

[22] Filed: **Jun. 10, 1991**

[52] U.S. Cl. **D12/6**

[58] Field of Search D12/6, 11; 280/21.1, 280/87.01, 87.042

FIG. 1 is a perspective view of a land sled showing my new design;

FIG. 2 is a right side elevational view thereof, the left side view being a mirror image thereof;

FIG. 3 is a top plan view thereof;

FIG. 4 is a bottom plan view thereof;

FIG. 5 is a front elevational view thereof;

FIG. 6 is a rear elevational view thereof;

FIG. 7 is a perspective view of a land sled showing a second embodiment of my new design;

FIG. 8 is a right side elevational view of FIG. 7, the left side view being a mirror image of FIG. 8;

FIG. 9 is a top plan view of FIG. 7;

FIG. 10 is a bottom plan view of FIG. 7;

FIG. 11 is a front elevational view of FIG. 7; and,

FIG. 12 is a rear elevational view of FIG. 7.

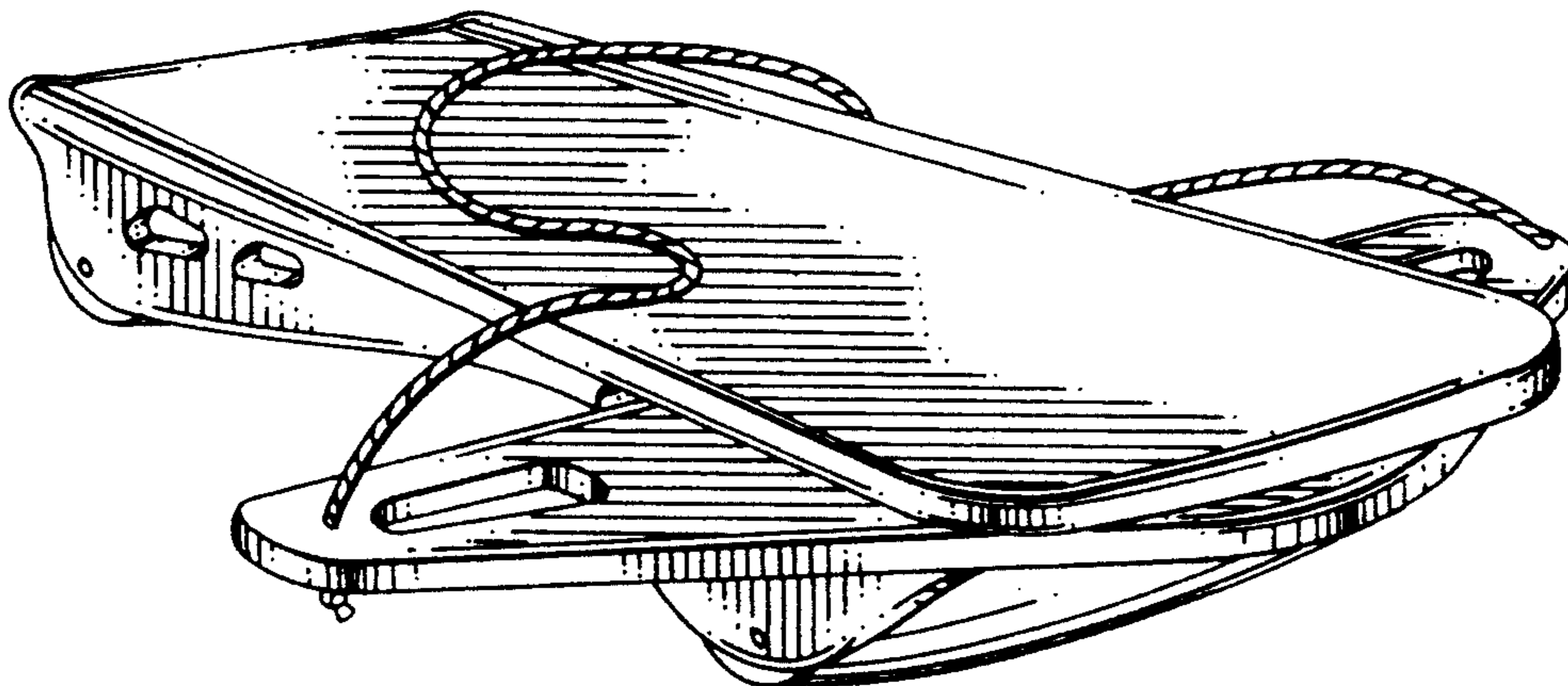
[56] References Cited

U.S. PATENT DOCUMENTS

D. 234,584	3/1975	Morris	D12/6
4,098,519	4/1978	Reid, Jr.	280/87.01
4,323,258	4/1982	Culpeper	280/87.01
4,336,952	6/1982	Rochman	280/87.01
5,046,747	9/1991	Nielsen, Jr.	280/87.042
5,106,109	4/1992	Tattersoll et al.	280/87.01

Primary Examiner—Wallace R. Burke

Assistant Examiner—Melody Brown



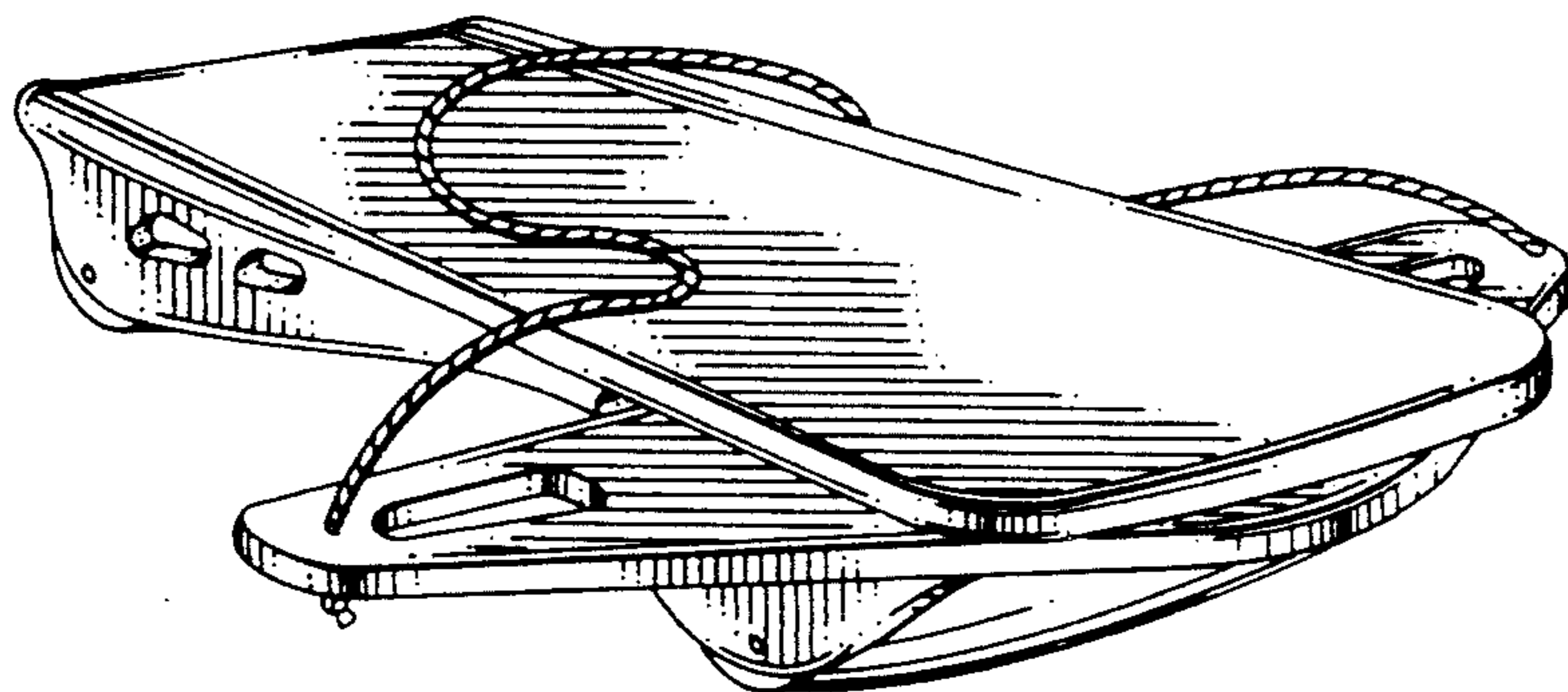


FIG. 1

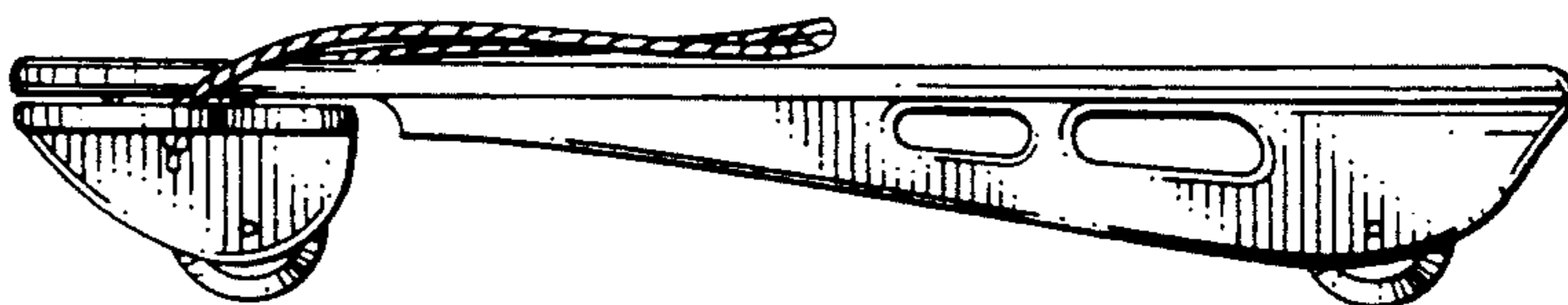


FIG. 2

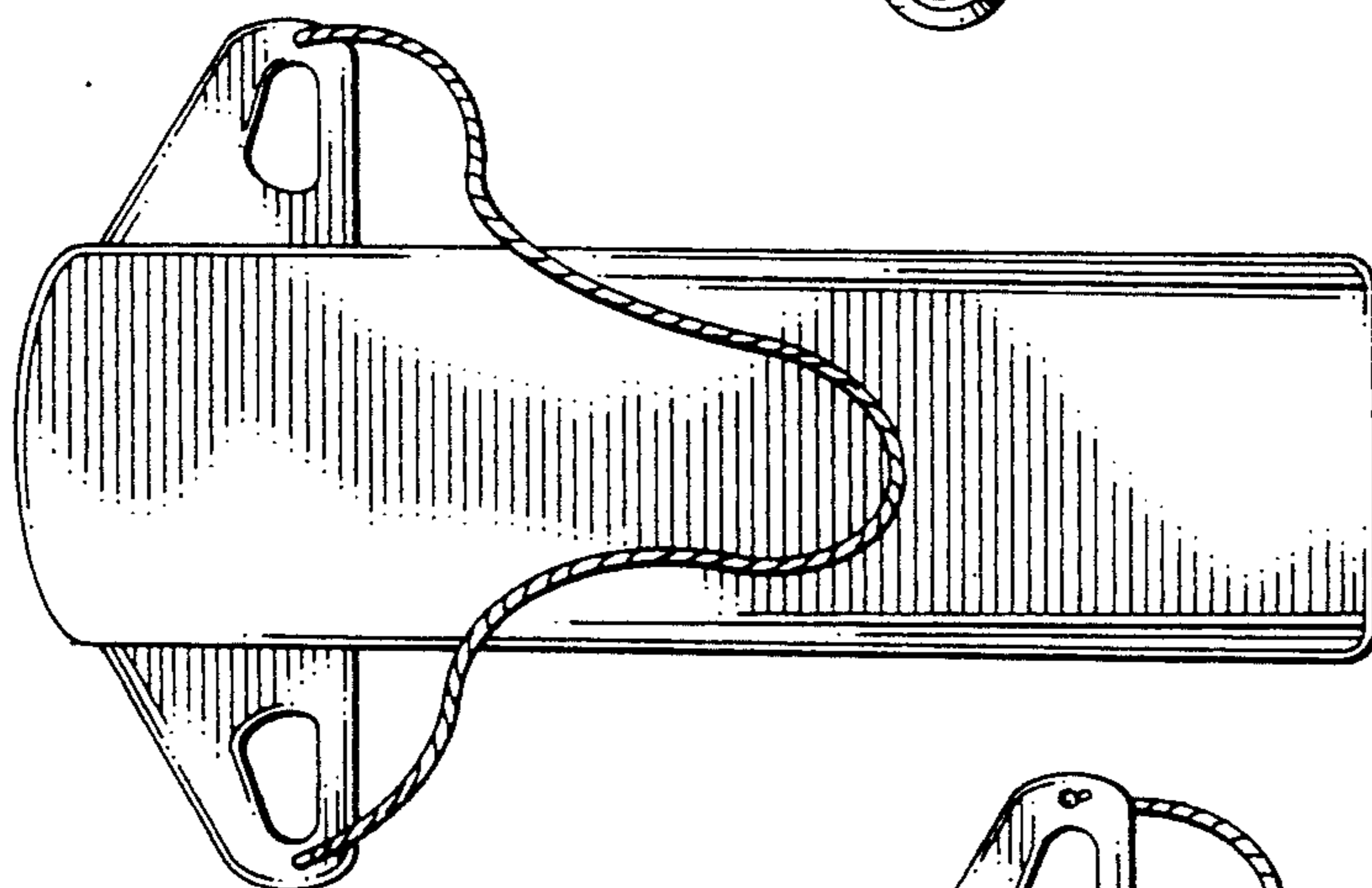


FIG. 3

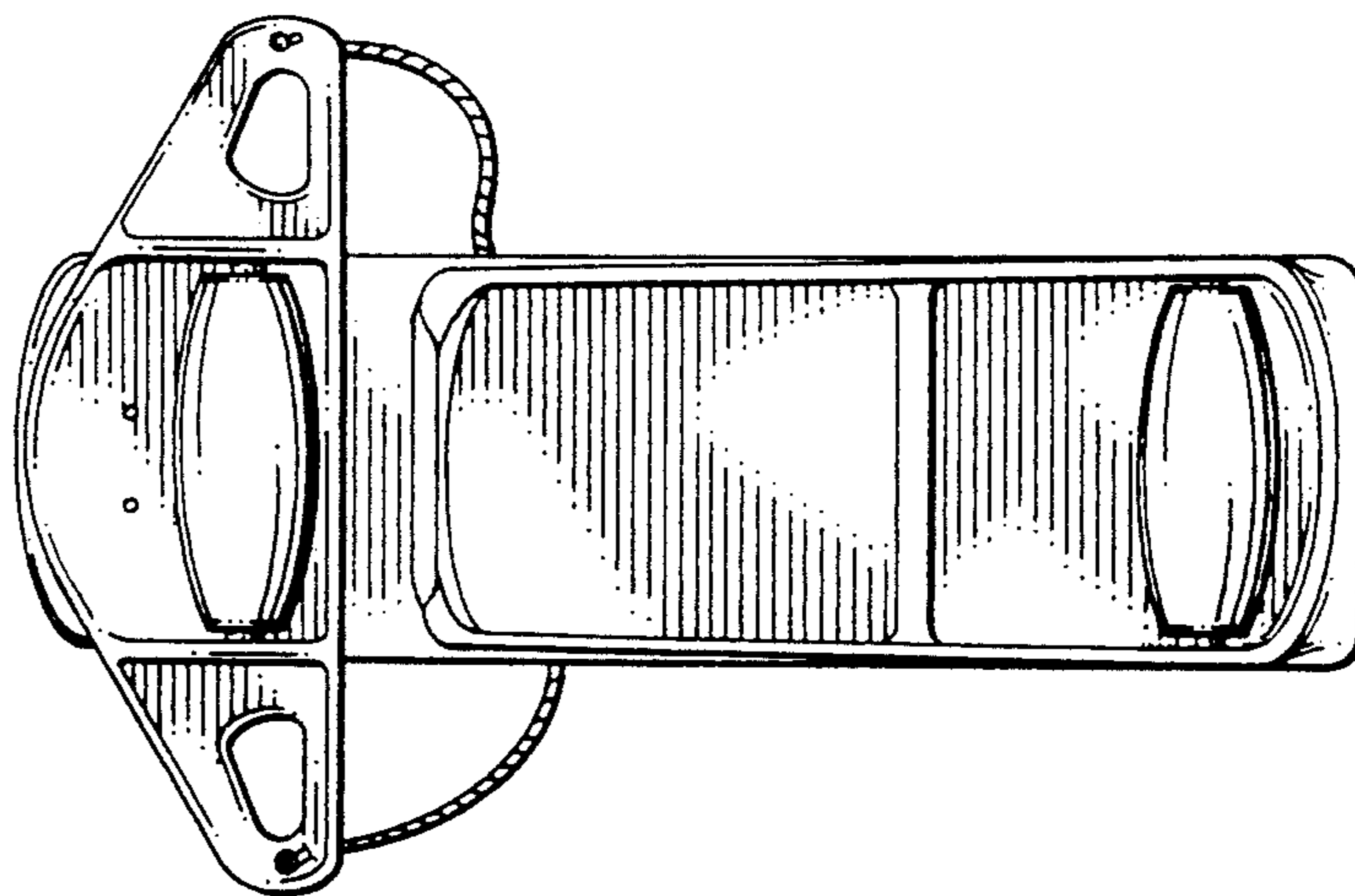


FIG. 4

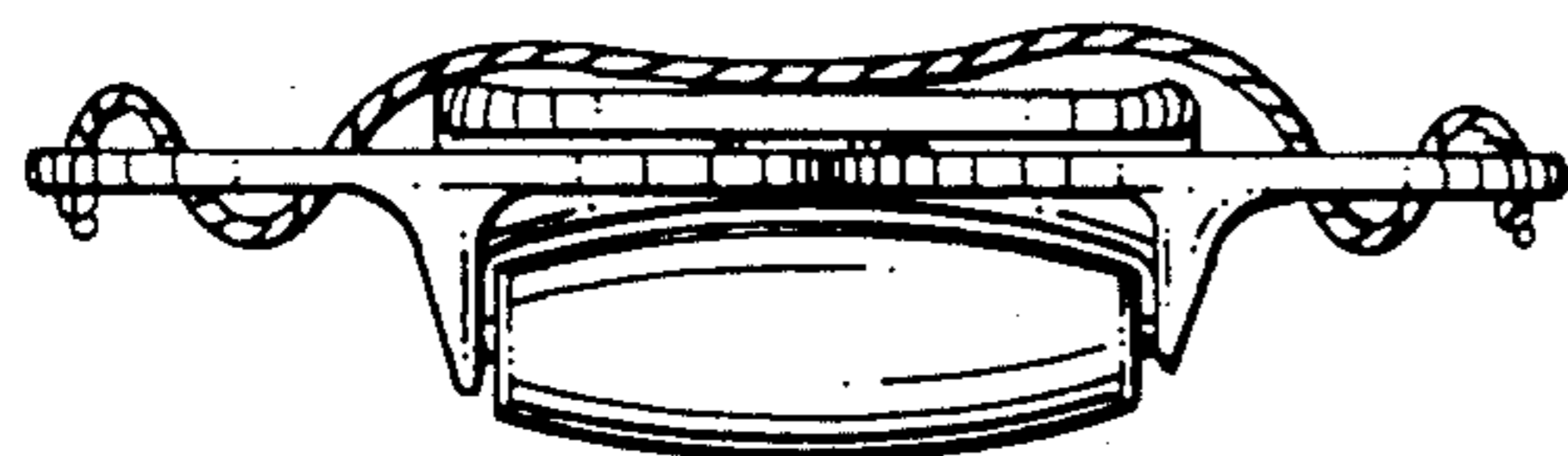


FIG. 5

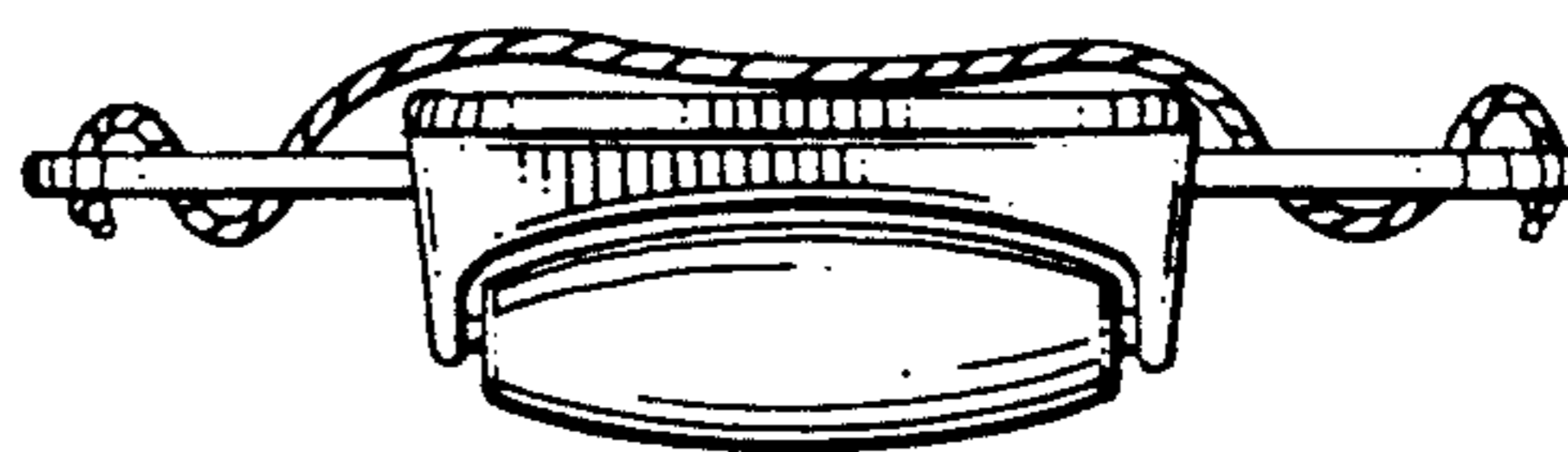


FIG. 6

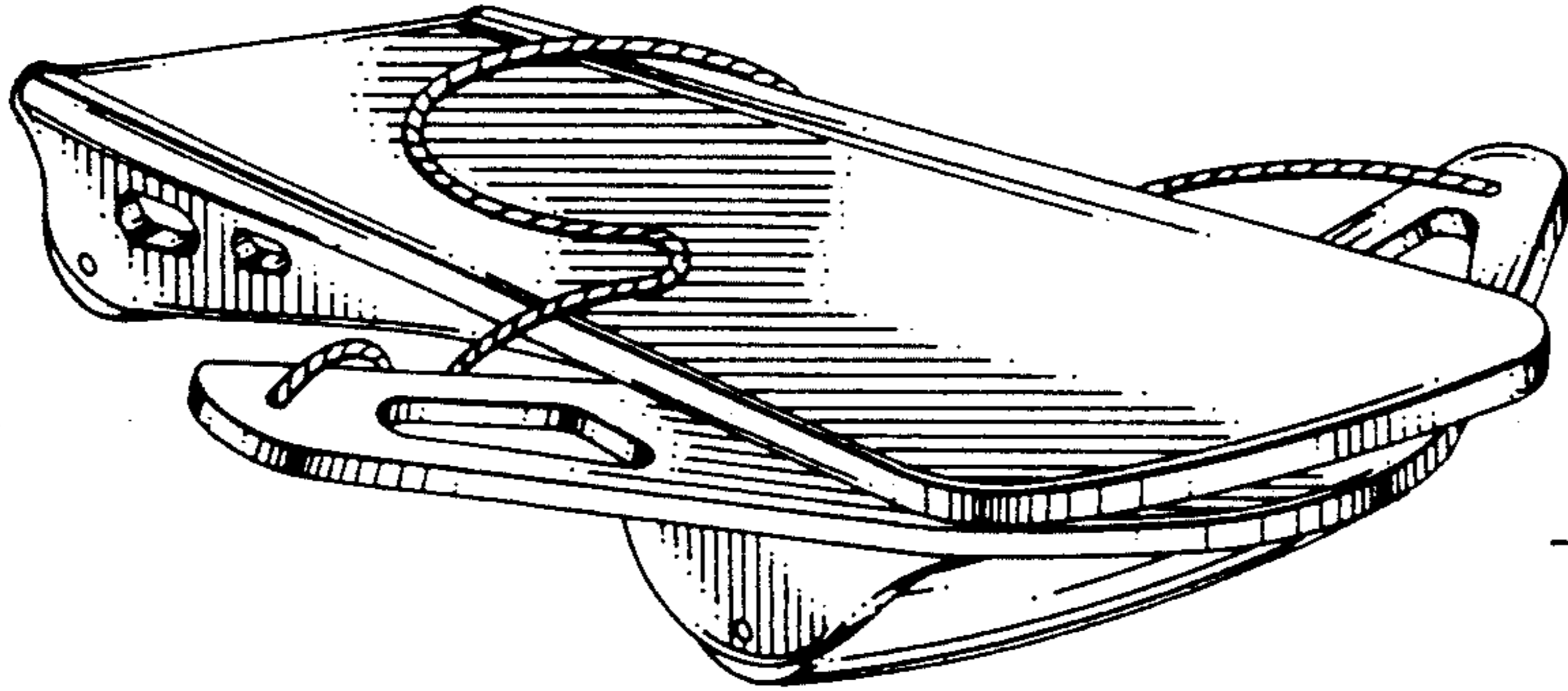


FIG. 7

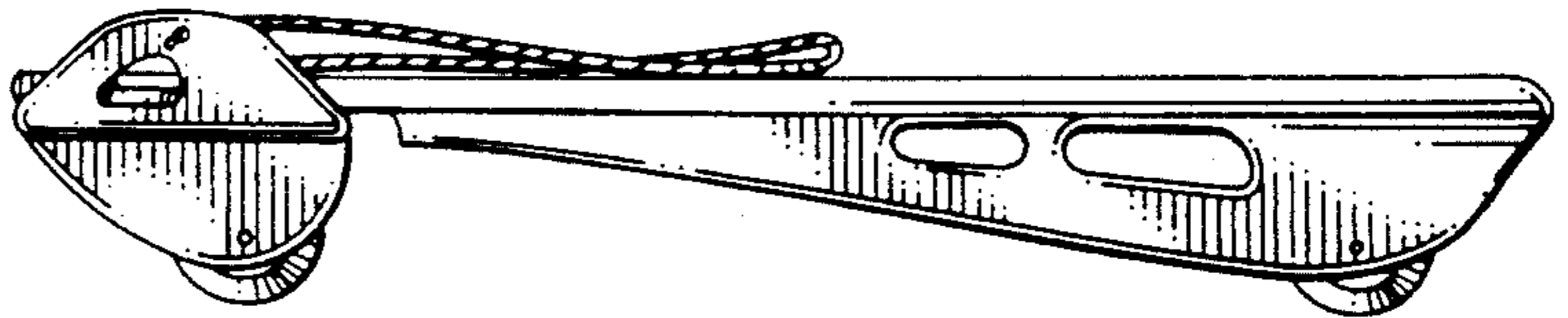


FIG. 8

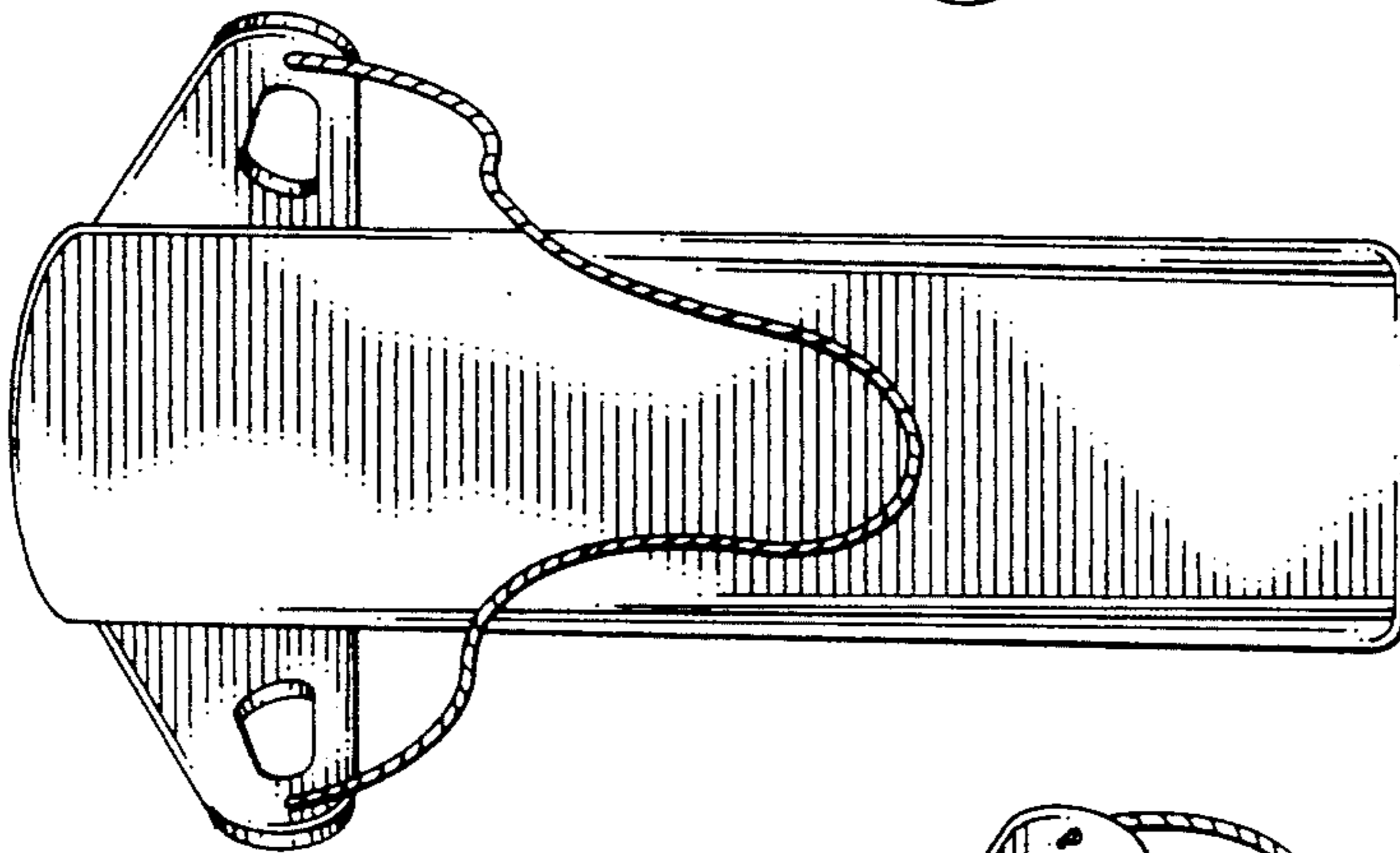


FIG. 9

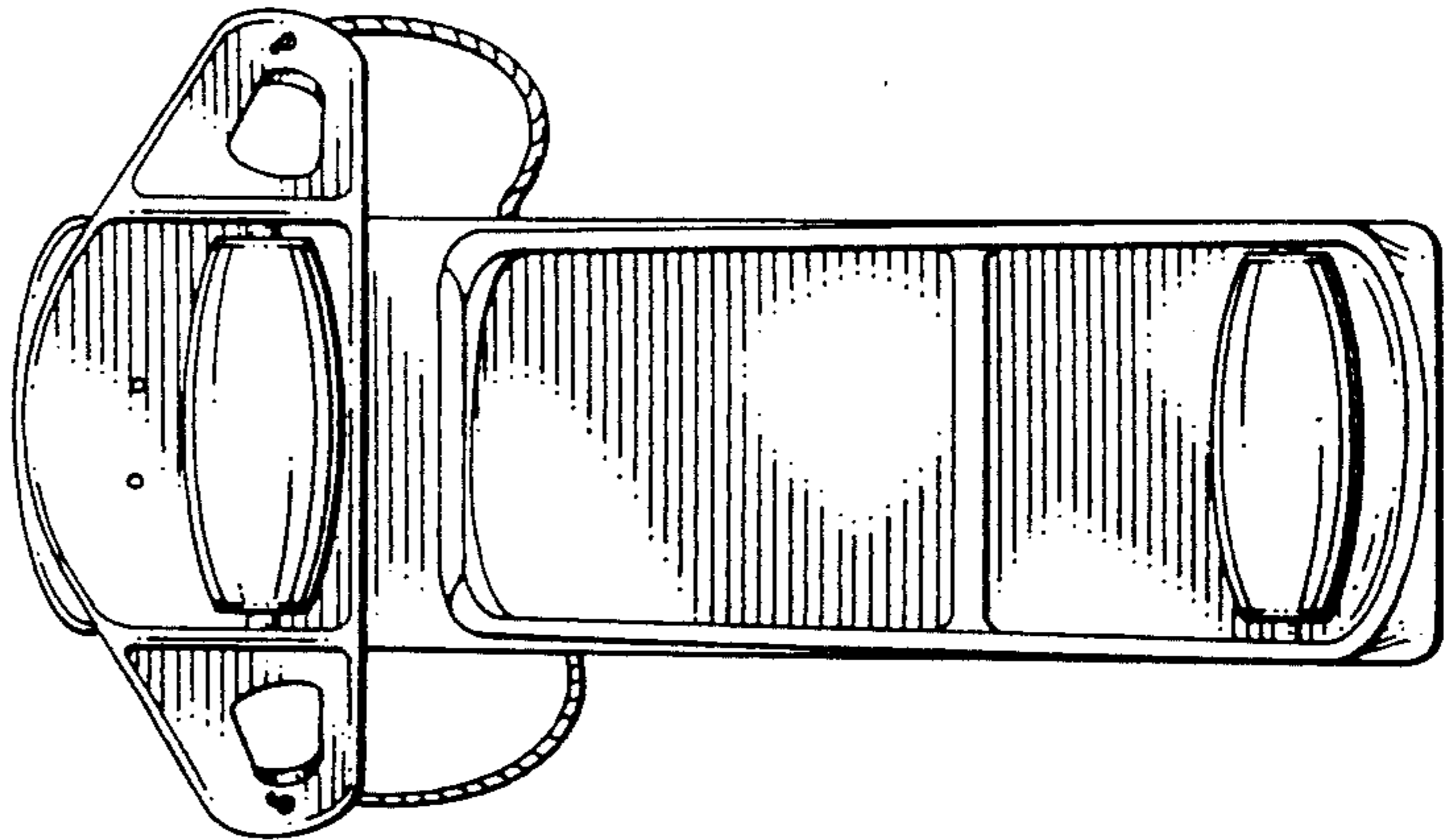


FIG. 10

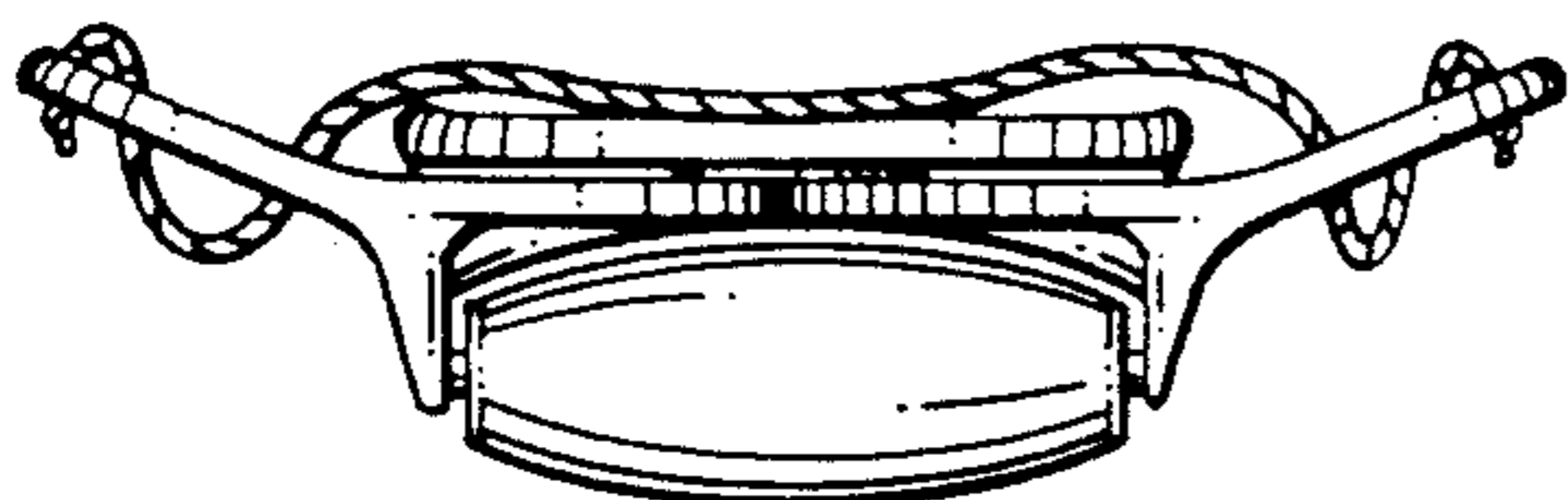


FIG. 11

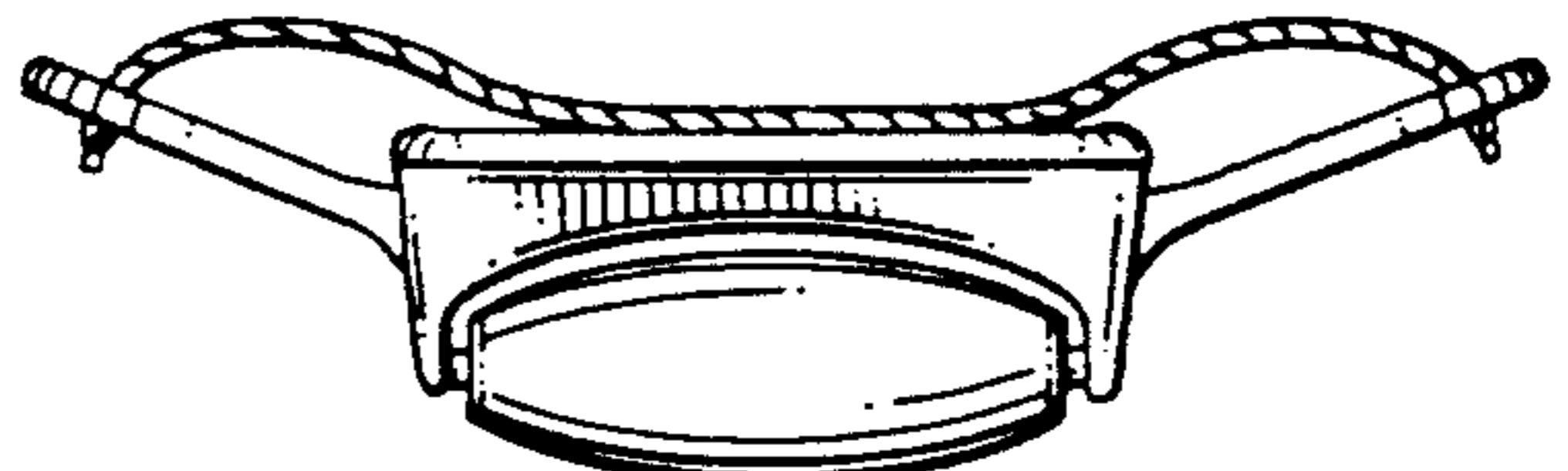


FIG. 12