



US00D331030S

United States Patent [19]

[11] Patent Number: **Des. 331,030**

Ziaylek et al.

[45] Date of Patent: **** Nov. 17, 1992**

[54] **UNIT FOR USE WITH AN EMERGENCY VEHICLE FOR STORAGE AND RETRIEVAL OF REMOTELY LOCATED EMERGENCY DEVICES**

4,826,387	5/1989	Audet	414/462
4,838,753	6/1989	Gehman et al.	414/917
4,844,490	7/1989	Kohler	414/462

[75] Inventors: **Michael P. Ziaylek**, 3 Brook La., Yardley, Pa. 19067; **Antonio L. Sala**, Marlton, N.J.; **Kenneth P. Wickham**, East Greenville; **George Wisser, Jr.**, Philadelphia, both of Pa.

Primary Examiner—Wallace R. Burke
Assistant Examiner—Melody Brown
Attorney, Agent, or Firm—Sperry, Zoda & Kane

[73] Assignee: **Michael P. Ziaylek**, Yardley, Pa.

[57] **CLAIM**

[**] Term: **14 Years**

The ornamental design for a unit for use with an emergency vehicle for storage and retrieval or remotely located emergency devices, as shown and described.

[21] Appl. No.: **643,649**

DESCRIPTION

[22] Filed: **Jan. 18, 1991**

FIG. 1 is a side perspective view of a unit for use with an emergency vehicle for storage and retrieval of remotely located emergency devices showing our new design;

[52] U.S. Cl. **D12/1**

FIG. 2 is a front elevational view thereof;

[58] Field of Search **D12/1; 414/462, 680,**

414/917

FIG. 3 is a rear elevational view thereof;

FIG. 4 is a side elevational view thereof;

FIG. 5 is a top plan view thereof; and,

FIG. 6 is a bottom plan view thereof.

[56] **References Cited**

U.S. PATENT DOCUMENTS

3,963,136	6/1976	Spanke	414/462
4,808,056	2/1989	Oshima	414/462

The broken line showing of environmental structure in FIGS. 2, 3, 5 and 6 is for illustrative purposes only and forms no part of the claimed design.

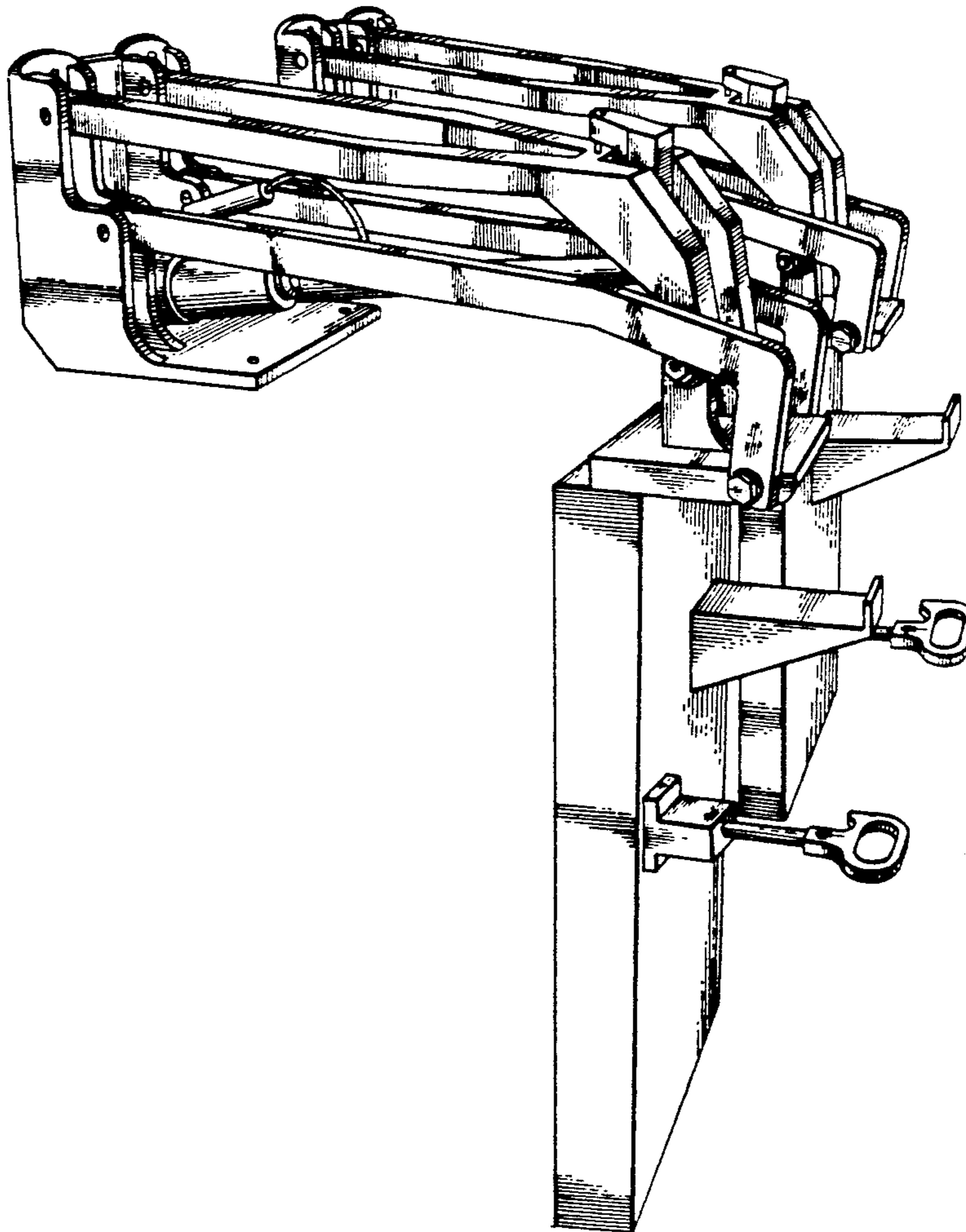


FIG. 1

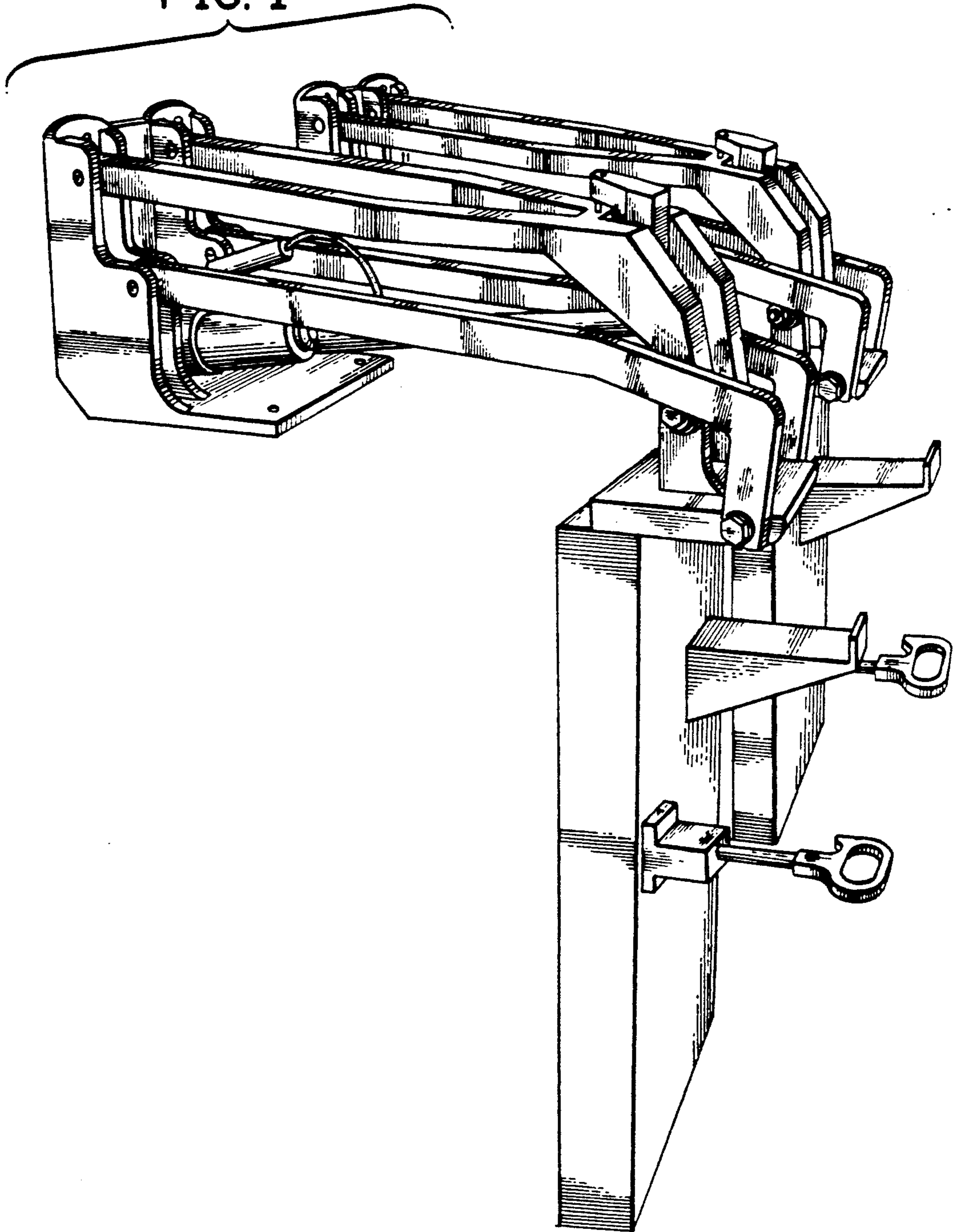


FIG. 2

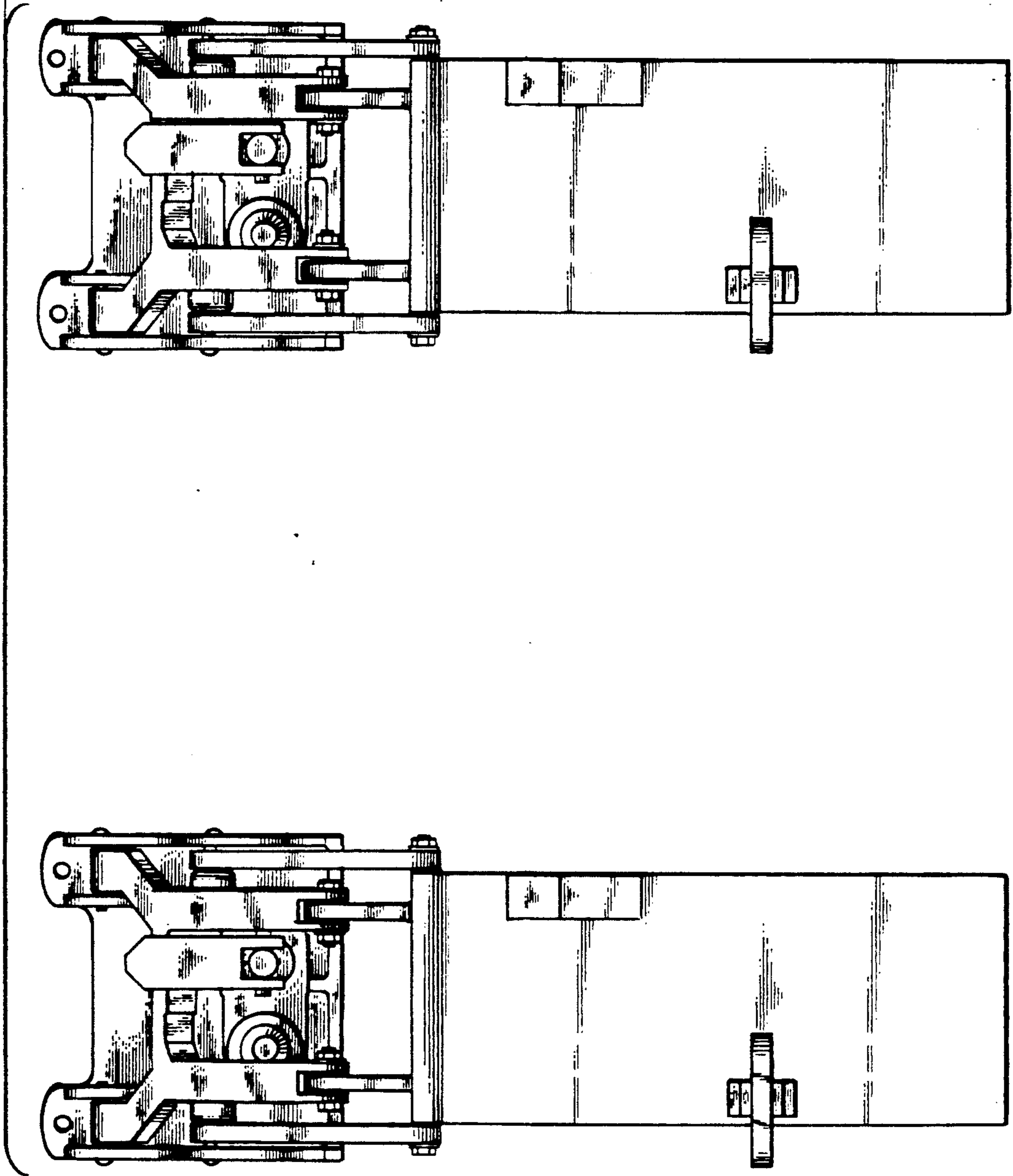


FIG. 3

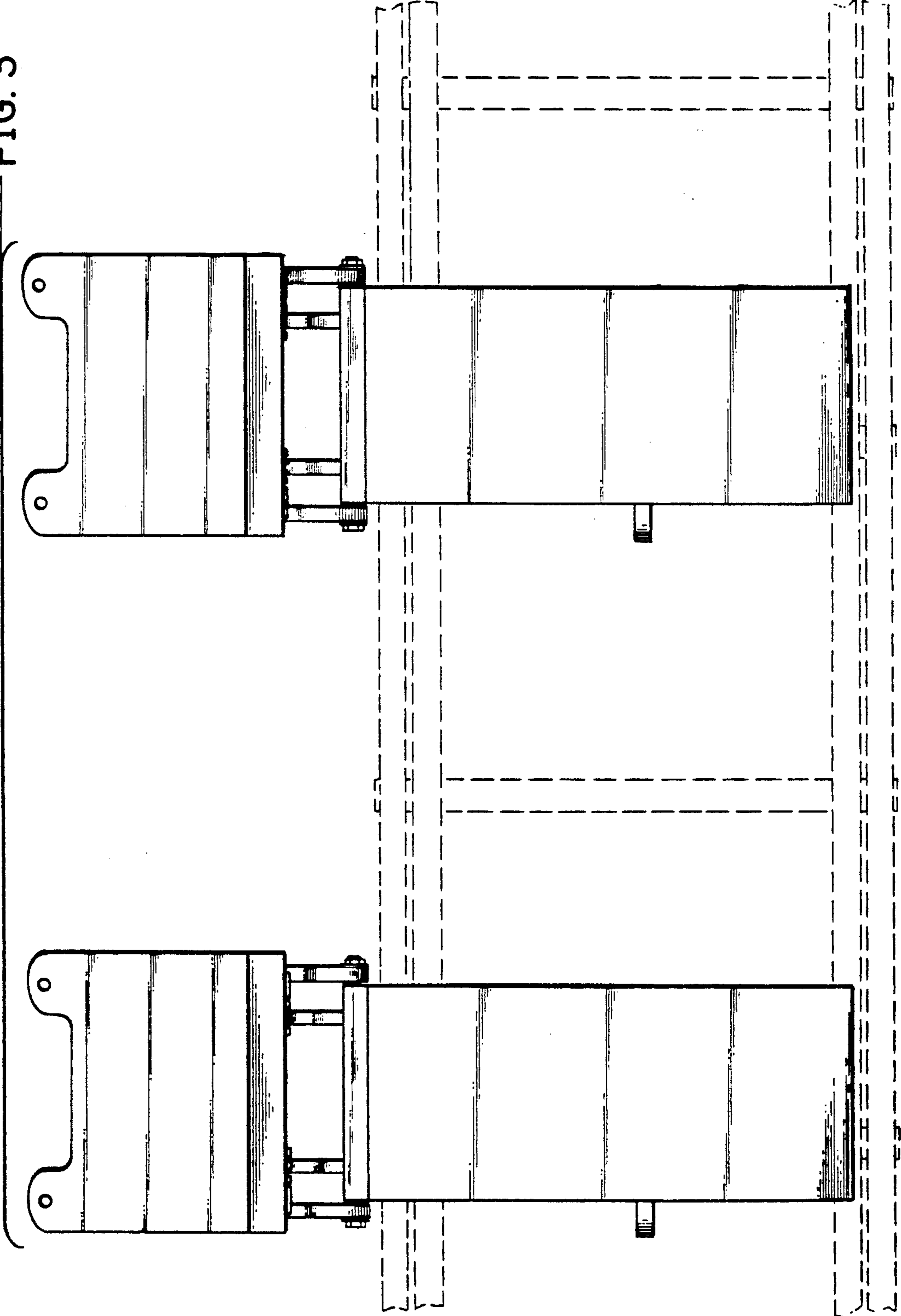


FIG. 4

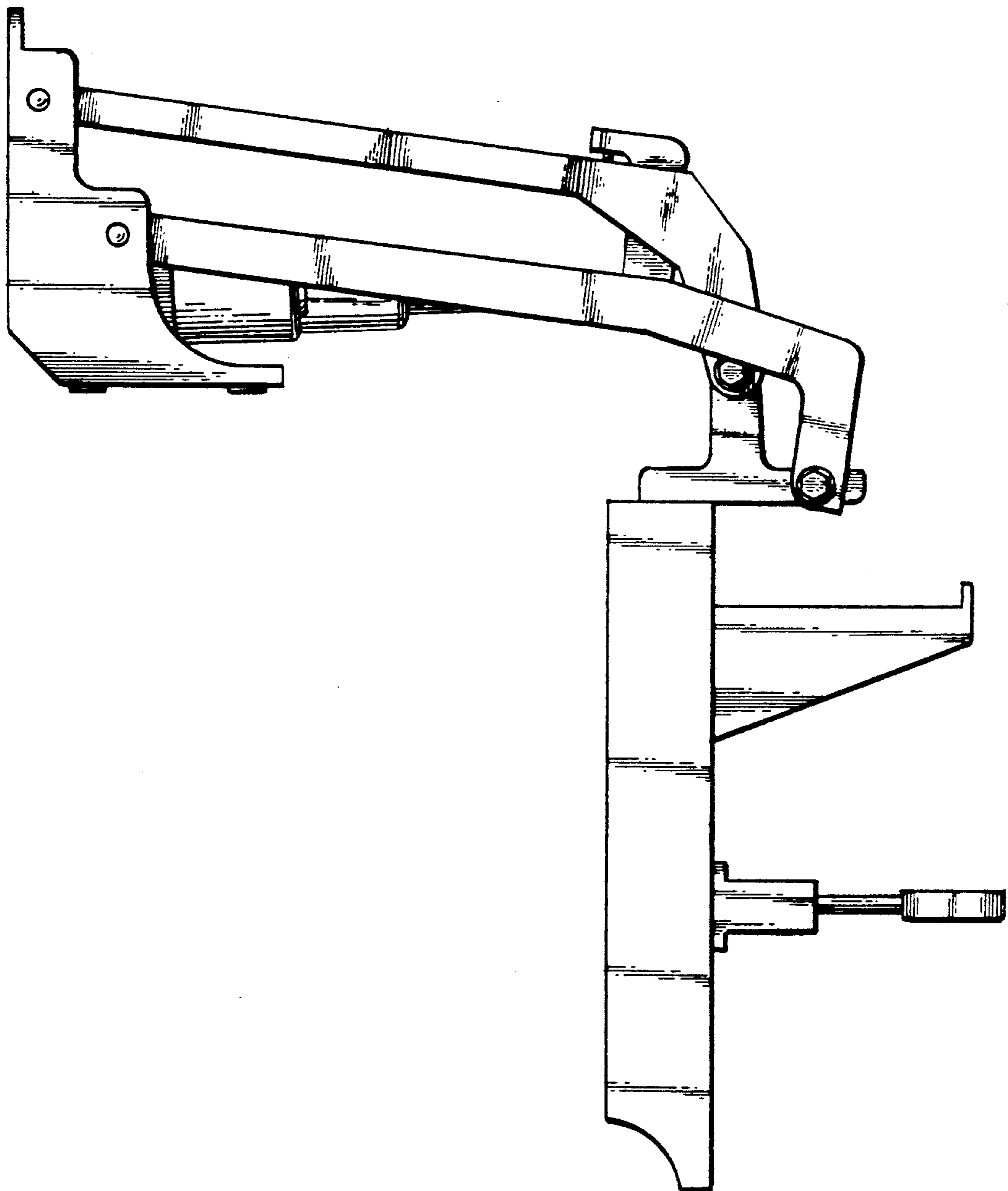
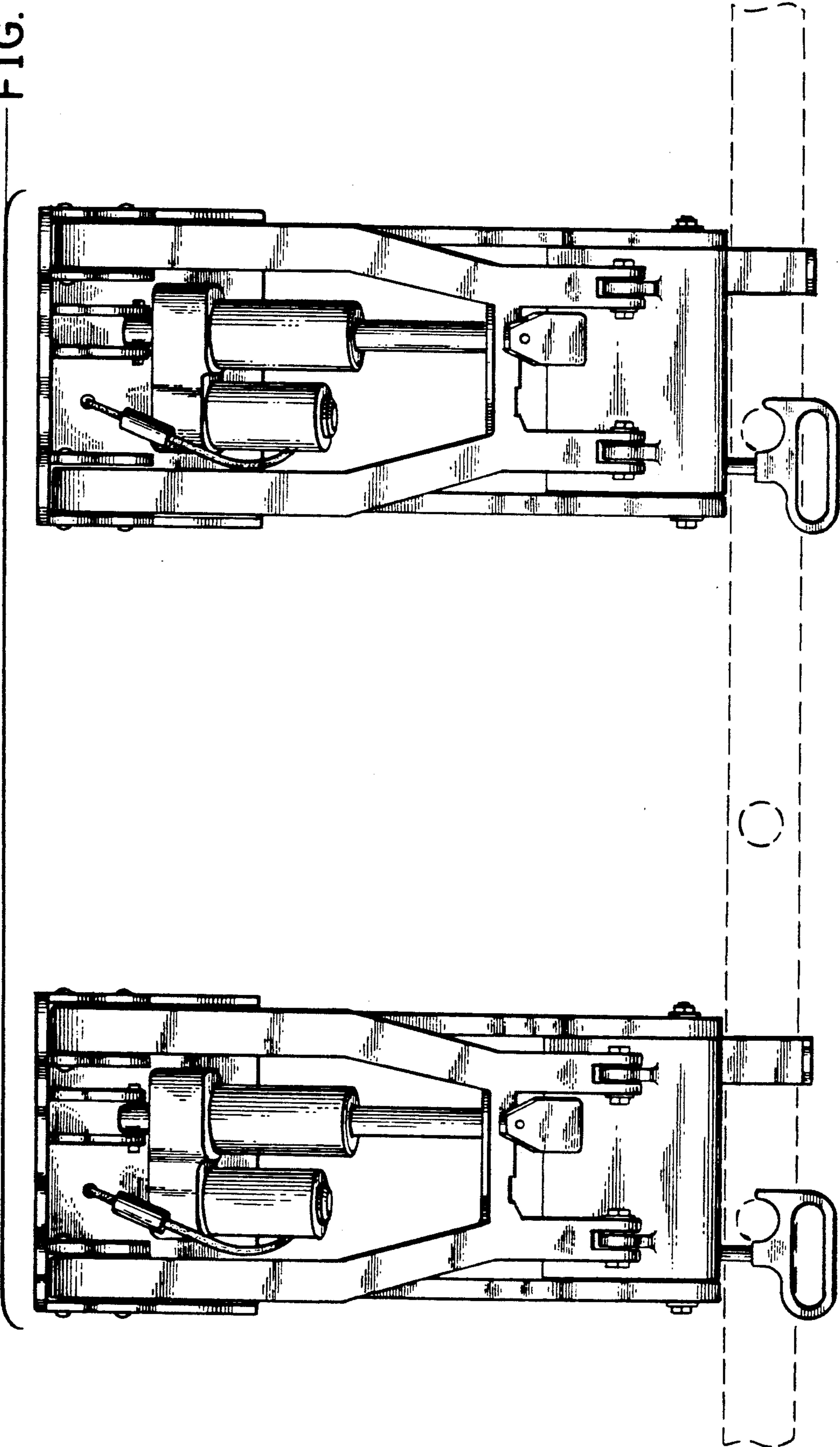


FIG. 5



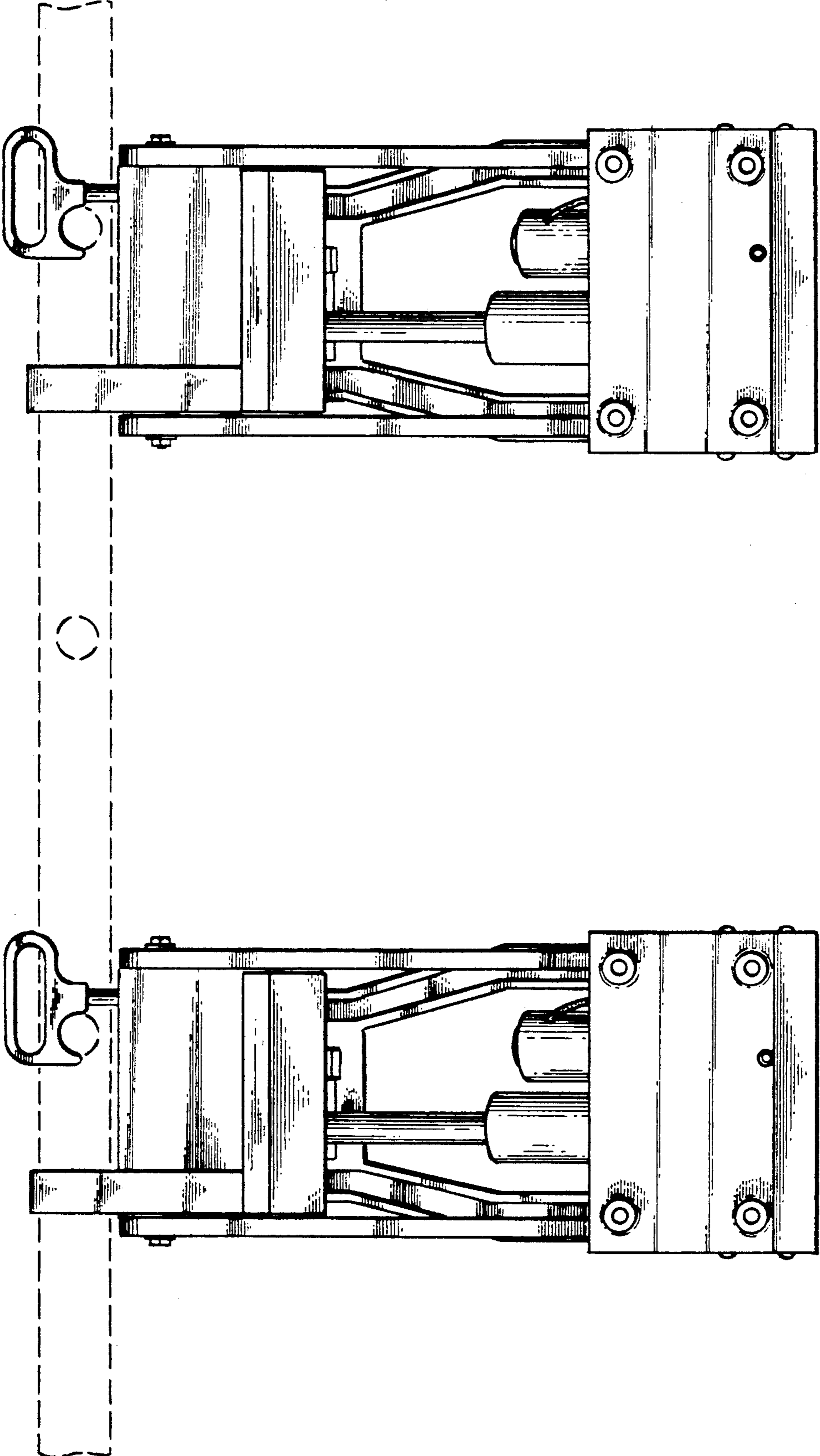


FIG. 6