



US00D331020S

United States Patent [19]

[11] Patent Number: **Des. 331,020**

Ishii et al.

[45] Date of Patent: **** Nov. 17, 1992**

[54] **PULSE MONITOR**

[75] Inventors: **Ichinosuke Ishii, Agatsuma; Kazuyoshi Ohshima, Seta, both of Japan**

[73] Assignee: **Nihon Seimitsu Sokki Co., Ltd., Gunma, Japan**

[**] Term: **14 Years**

[21] Appl. No.: **667,102**

[22] Filed: **Mar. 8, 1991**

[30] **Foreign Application Priority Data**

Oct. 19, 1990 [JP] Japan 2-35021

[52] U.S. Cl. **D10/31; D10/30; D10/46; D10/78; D10/97**

[58] Field of Search **D10/30, 31, 32, 46, D10/38, 39, 78, 96, 97; 128/687, 688, 689, 690; 368/10**

[56] **References Cited**

U.S. PATENT DOCUMENTS

D. 263,031 2/1982 Carre D10/39

D. 266,491	10/1982	Abe	D10/39
D. 303,092	8/1989	Wakamatsu	D10/31
4,406,290	9/1983	Walbcoffe-Wilson et al.	128/690 X
4,409,983	10/1983	Albert	128/690
4,901,733	2/1990	Kaida et al.	128/690 X
5,101,829	4/1992	Fujikawa et al.	128/690 X

Primary Examiner—Donald P. Walsh
Assistant Examiner—Antoine D. Davis
Attorney, Agent, or Firm—Nikaido, Marmelstein, Murray & Oram

[57] **CLAIM**

The ornamental design for a pulse monitor, as shown and described.

DESCRIPTION

FIG. 1 is a perspective view of a pulse monitor showing our new design;
FIG. 2 is a front elevational view;
FIG. 3 is a rear elevational view;
FIG. 4 is a right side elevational view;
FIG. 5 is a left side elevational view;
FIG. 6 is a top plan view; and,
FIG. 7 is a bottom plan view thereof.

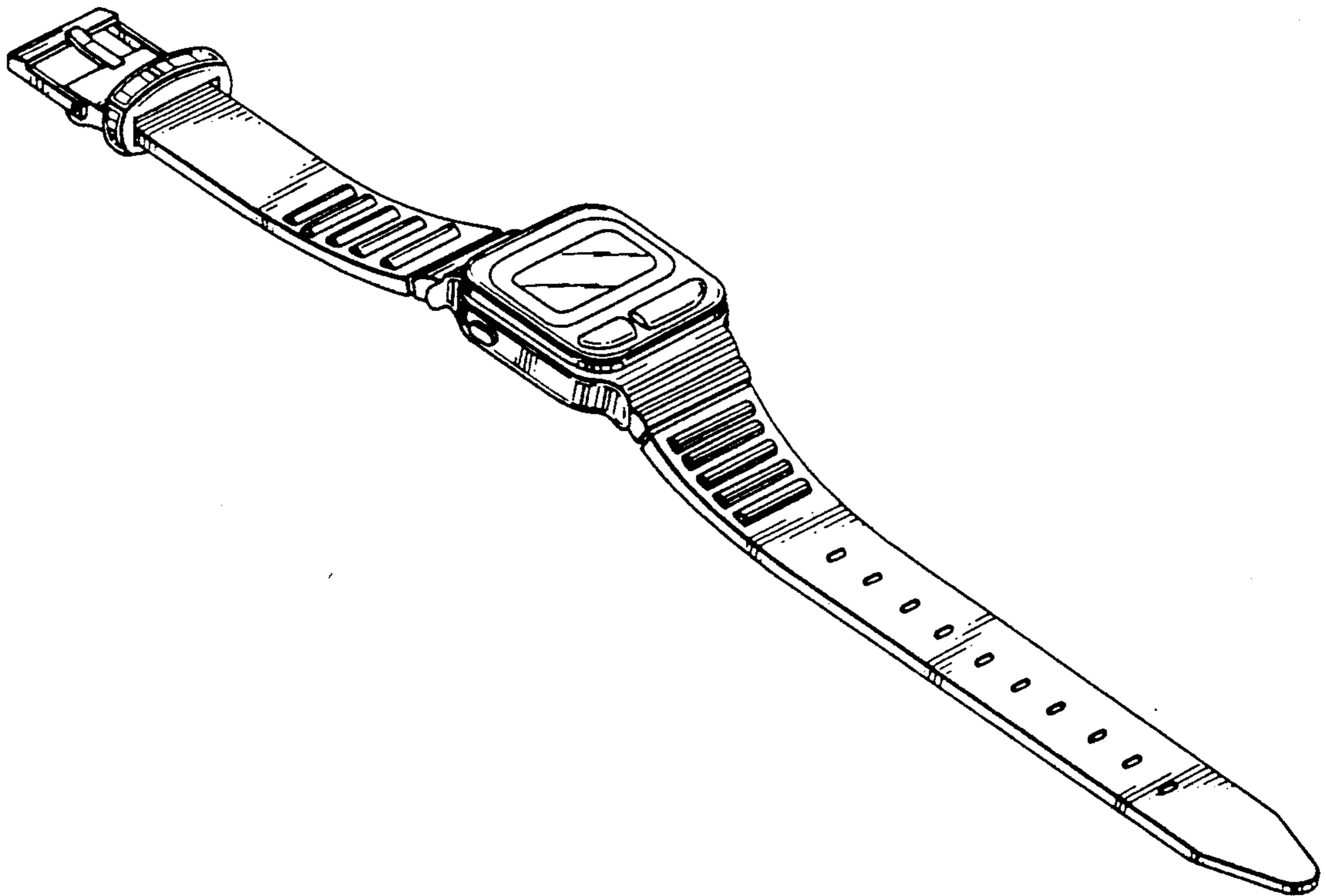


FIG. 1

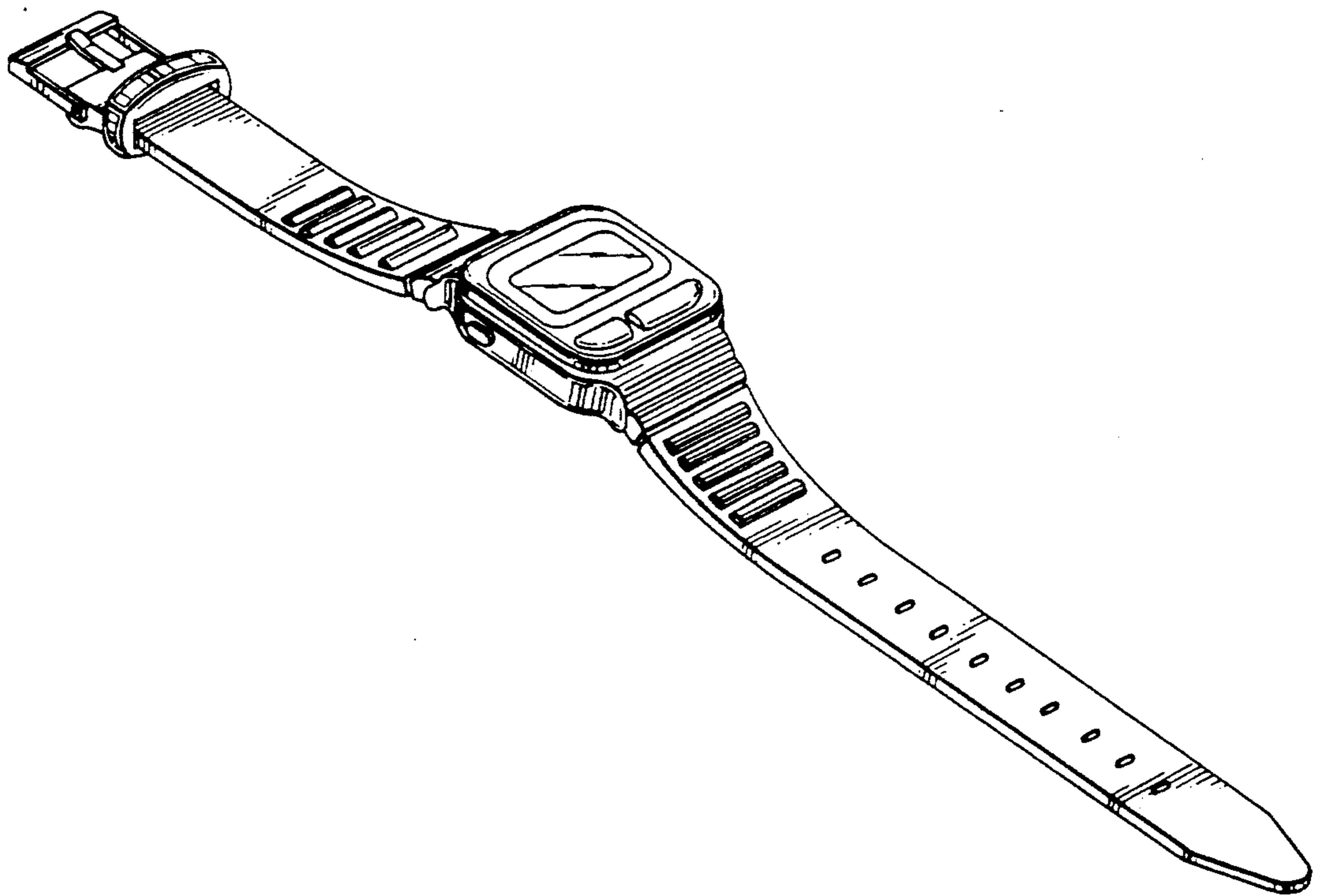


FIG.2

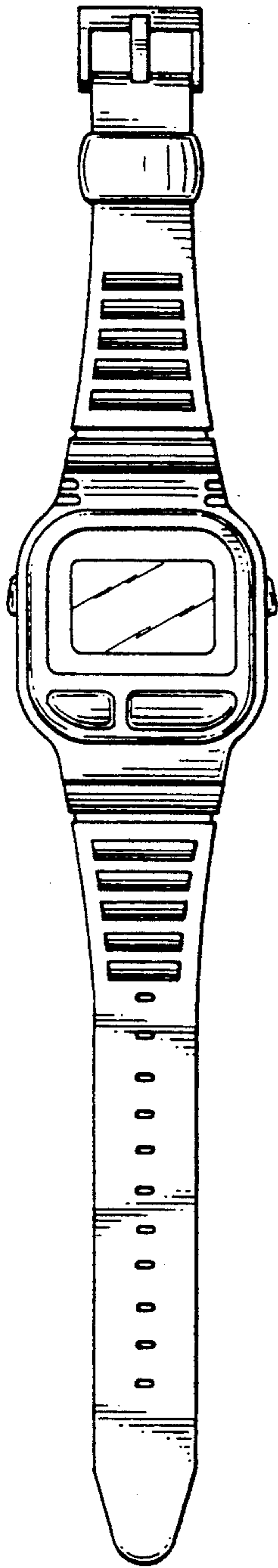


FIG.3

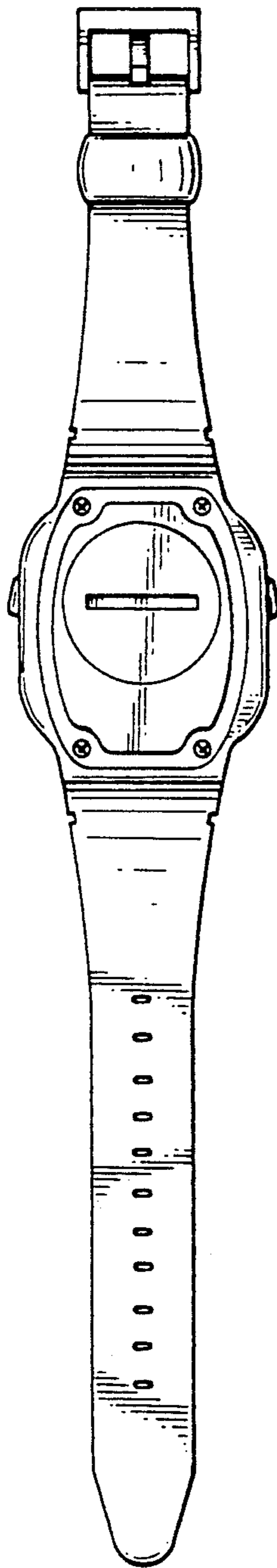


FIG.4



FIG.5

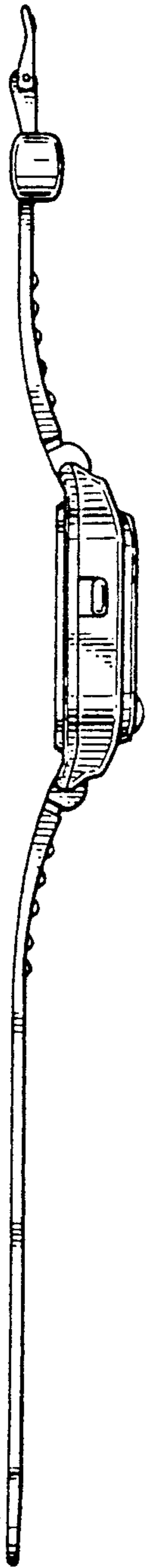


FIG.6

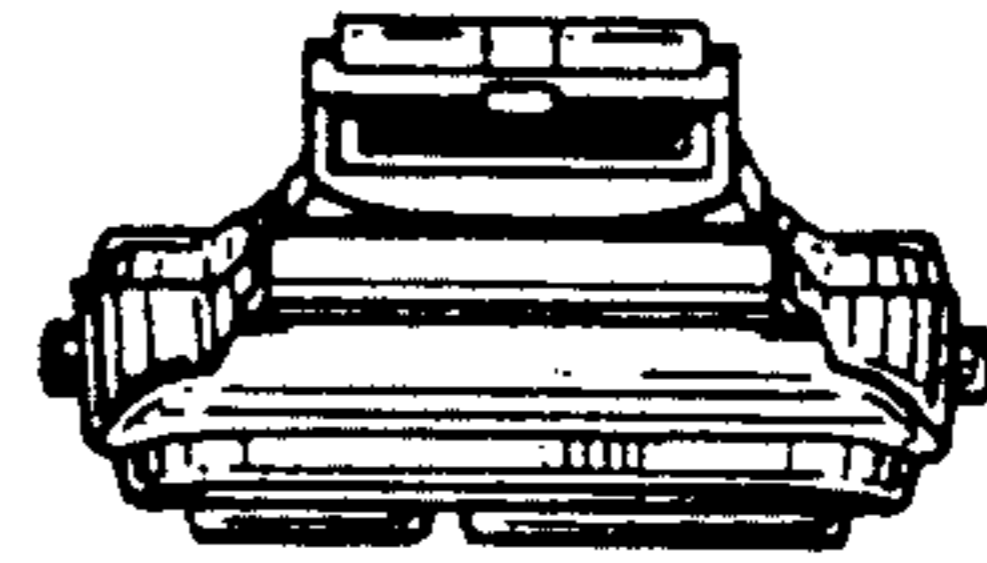


FIG.7

