



US00D331014S

United States Patent [19]

[11] Patent Number: **Des. 331,014**

Sewell

[45] Date of Patent: **** Nov. 17, 1992**

[54] **DUNNAGE**

4,247,237	1/1981	Brown	410/121 X
4,372,717	2/1983	Sewell et al.	410/154
4,865,889	9/1989	Boyse	410/154 X

[76] Inventor: **James D. Sewell**, 5005 Yarrow Ct., Fair Oaks, Calif. 95628

Primary Examiner—Bernard Ansher
Assistant Examiner—Dominic Simone
Attorney, Agent, or Firm—Lothrop & West

[**] Term: **14 Years**

[21] Appl. No.: **533,037**

[57] **CLAIM**

[22] Filed: **Jun. 4, 1990**

The ornamental design for a dunnage, as shown and described.

[52] U.S. Cl. **D9/434; D9/456**

[58] Field of Search D9/434, 456; 206/523, 206/524, 584, 814; 267/136, 139, 140, 141.1; 410/121, 154, 155

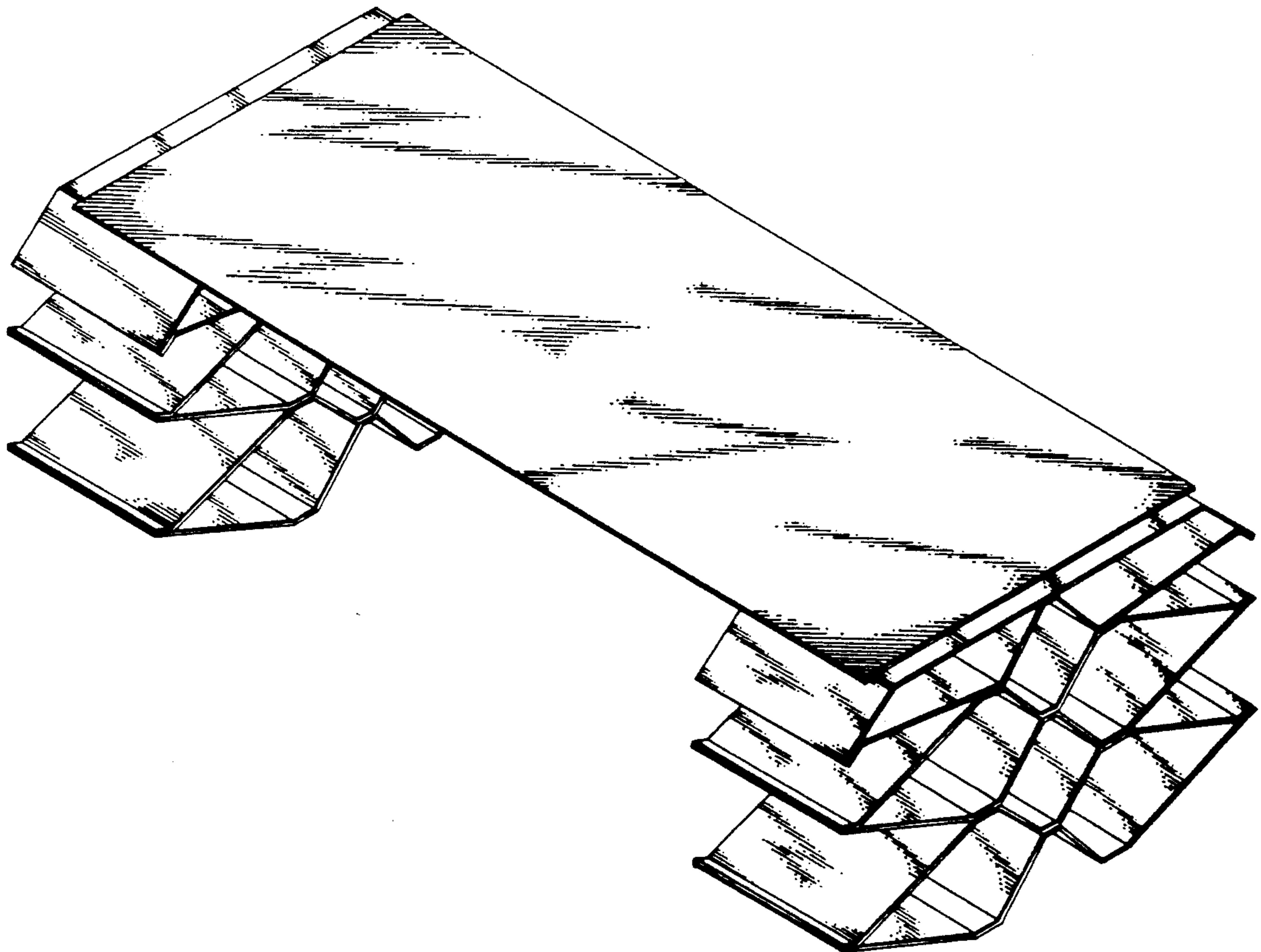
DESCRIPTION

[56] **References Cited**

U.S. PATENT DOCUMENTS

2,196,470	4/1940	Montgomery et al.	410/121
3,405,659	10/1968	Heis	410/154
3,464,367	9/1969	Latter	410/155
3,593,671	7/1971	Bramlett	410/154
4,027,892	6/1977	Parks	410/121 X

FIG. 1 is a right front perspective of a dunnage, showing my new design;
FIG. 2 is a front elevational view, the rear elevational view being substantially a mirror image, thereof;
FIG. 3 is a top plan view, thereof;
FIG. 4 is a bottom plan view, thereof; and,
FIG. 5 is an elevational view of one end, the opposite end elevational view being substantially a mirror image, thereof.



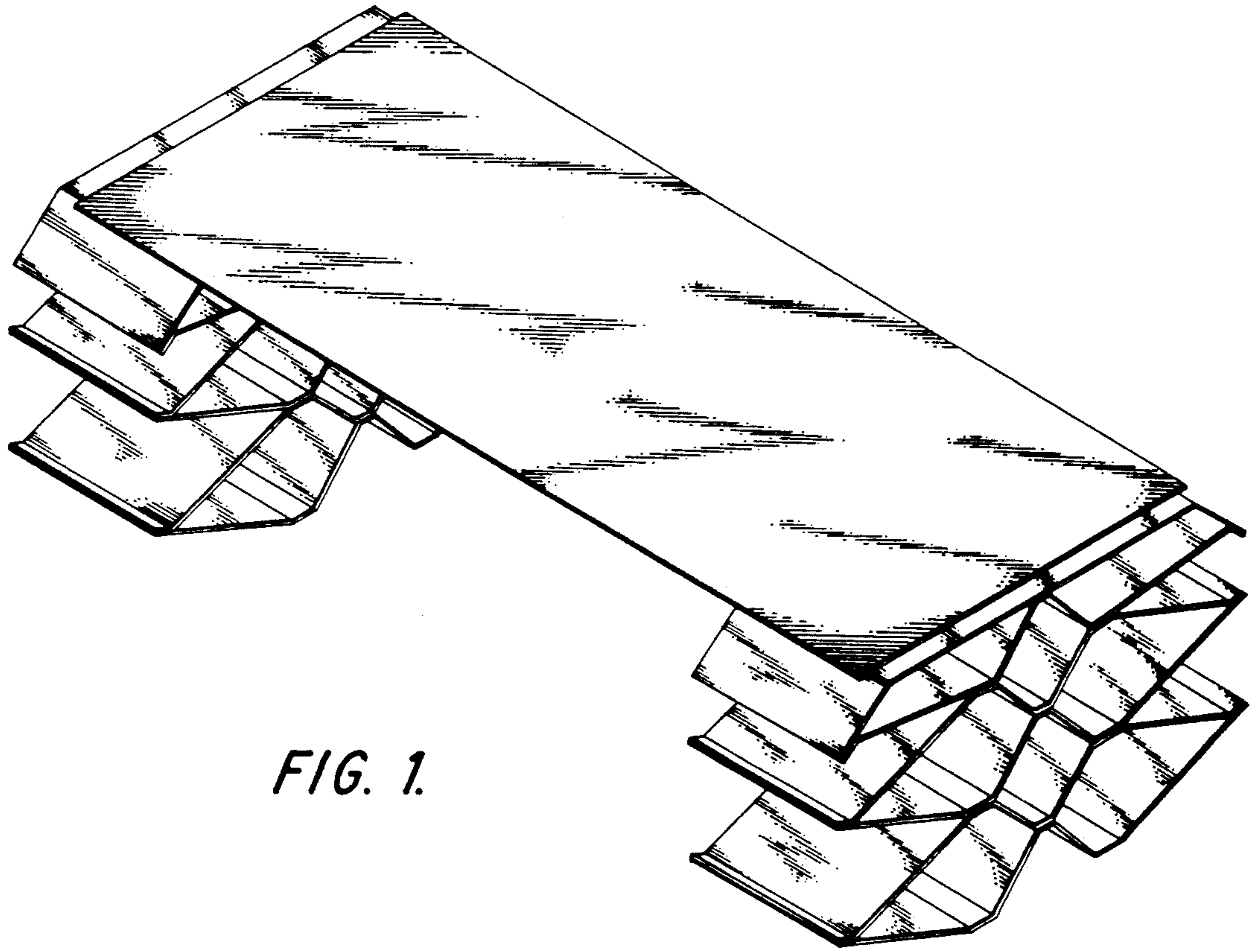


FIG. 1.

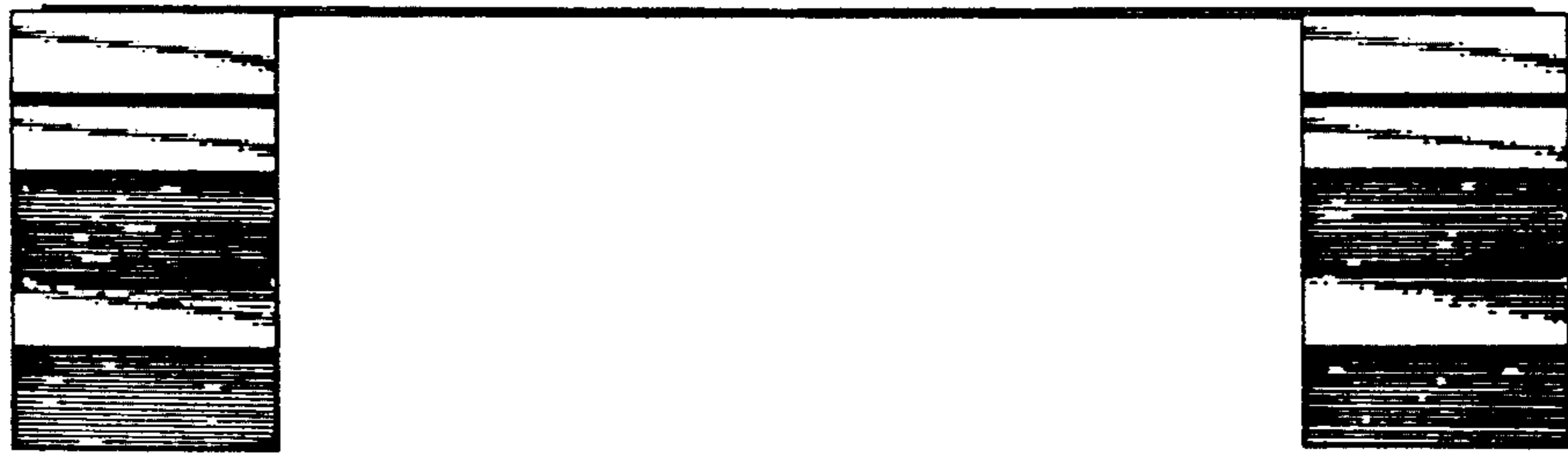


FIG. 2.

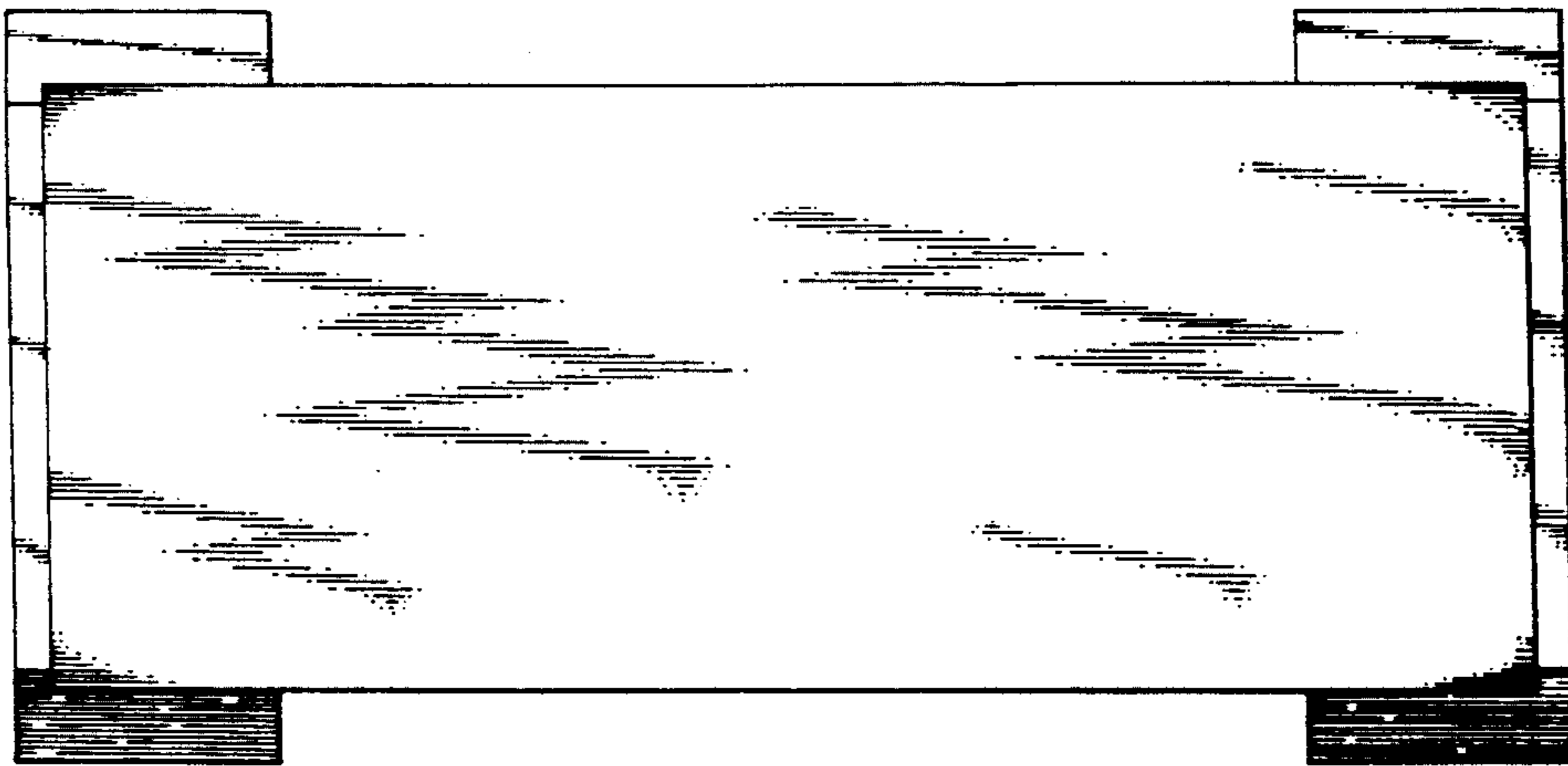


FIG. 3.

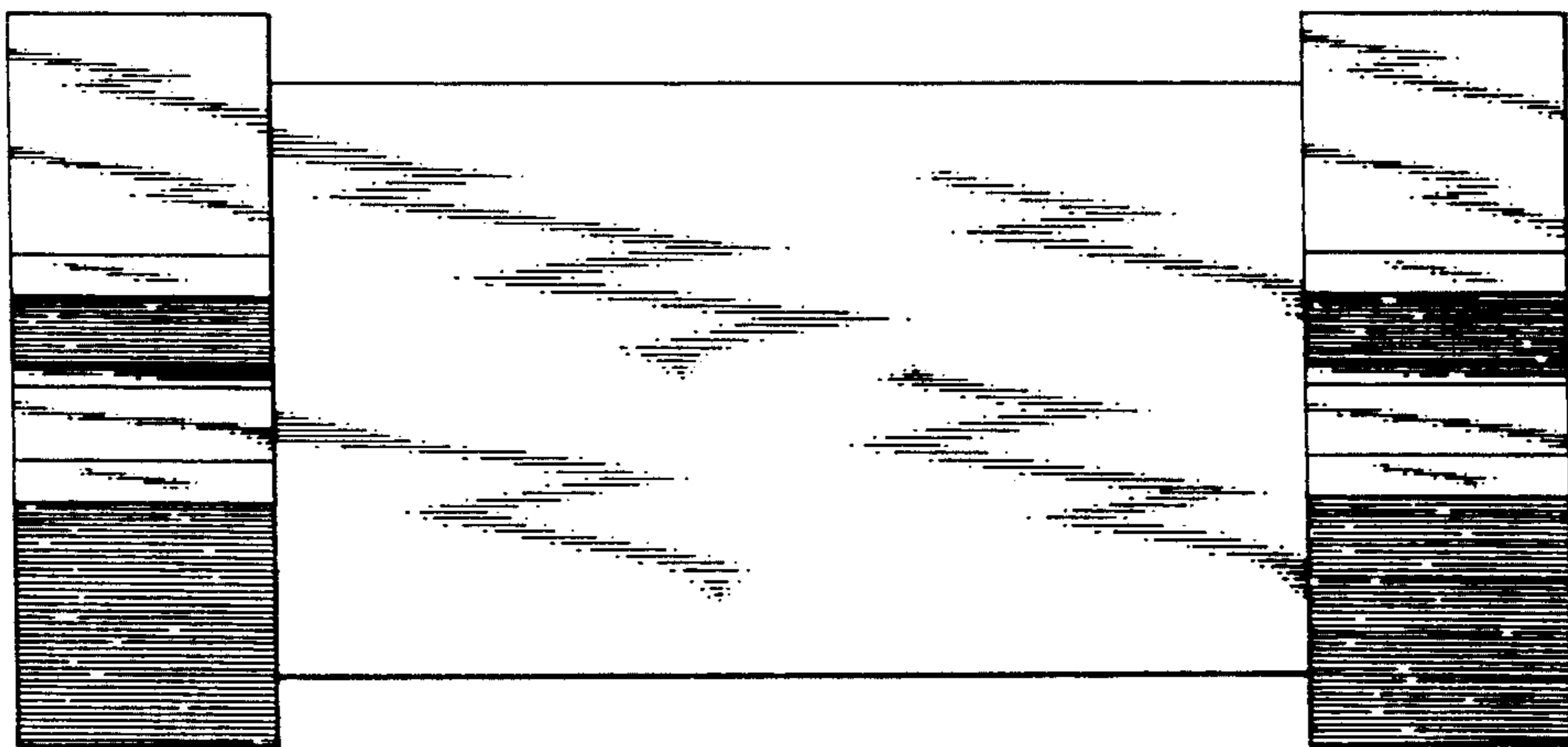


FIG. 4.

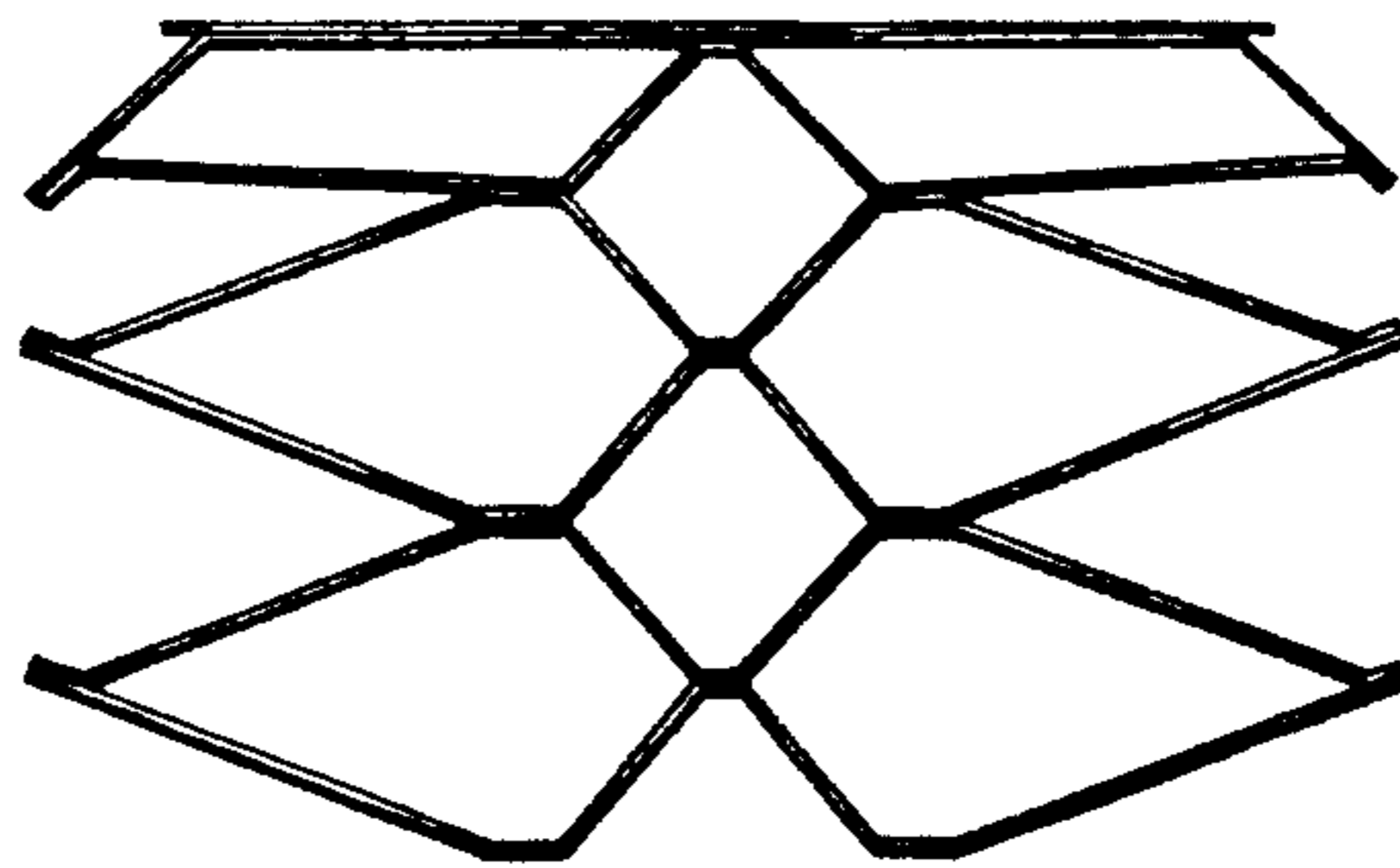


FIG. 5.