



US00D331010S

United States Patent [19]

[11] Patent Number: Des. 331,010

Garner

[45] Date of Patent: ** Nov. 17, 1992

[54] TOOLBOX GUARD

[76] Inventor: Terry D. Garner, 227 Sheryl Dr.,
Madison, Miss. 39110

[**] Term: 14 Years

[21] Appl. No.: 461,458

[22] Filed: Jan. 5, 1990

[52] U.S. Cl. D8/403; D25/119

[58] Field of Search D6/491, 495; D25/119;
D8/403; 312/137, DIG. 33; D20/43; D3/30.1

[56] **References Cited**

U.S. PATENT DOCUMENTS

- D. 110,435 7/1938 Lowry D25/119
- D. 221,958 9/1971 Finebaum D8/403

OTHER PUBLICATIONS

- Dahlstrom Catalog #12, Published 1969, p. 107 Moulding #2505.
- Dahlstrom Catalog #12, Published 1969, p. 83 Moulding #1016.
- Dahlstrom Cat. #12, 1969, Moulding #1925, p. 101.

Primary Examiner—Carmen H. Vales-Lado
Assistant Examiner—Janice E. Seeger
Attorney, Agent, or Firm—Richard C. Litman

[57] **CLAIM**

The ornamental design for a toolbox guard, as shown and described.

DESCRIPTION

FIG. 1 is a perspective view of a toolbox guard, showing my new design, shown broken away whereby to indicate indeterminate length;

FIG. 2 is a perspective view on a reduced scale, the broken lines being for environmental purposes and forming no part of the claimed design;

FIG. 3 is an end elevational view thereof, the opposite end being a mirror image;

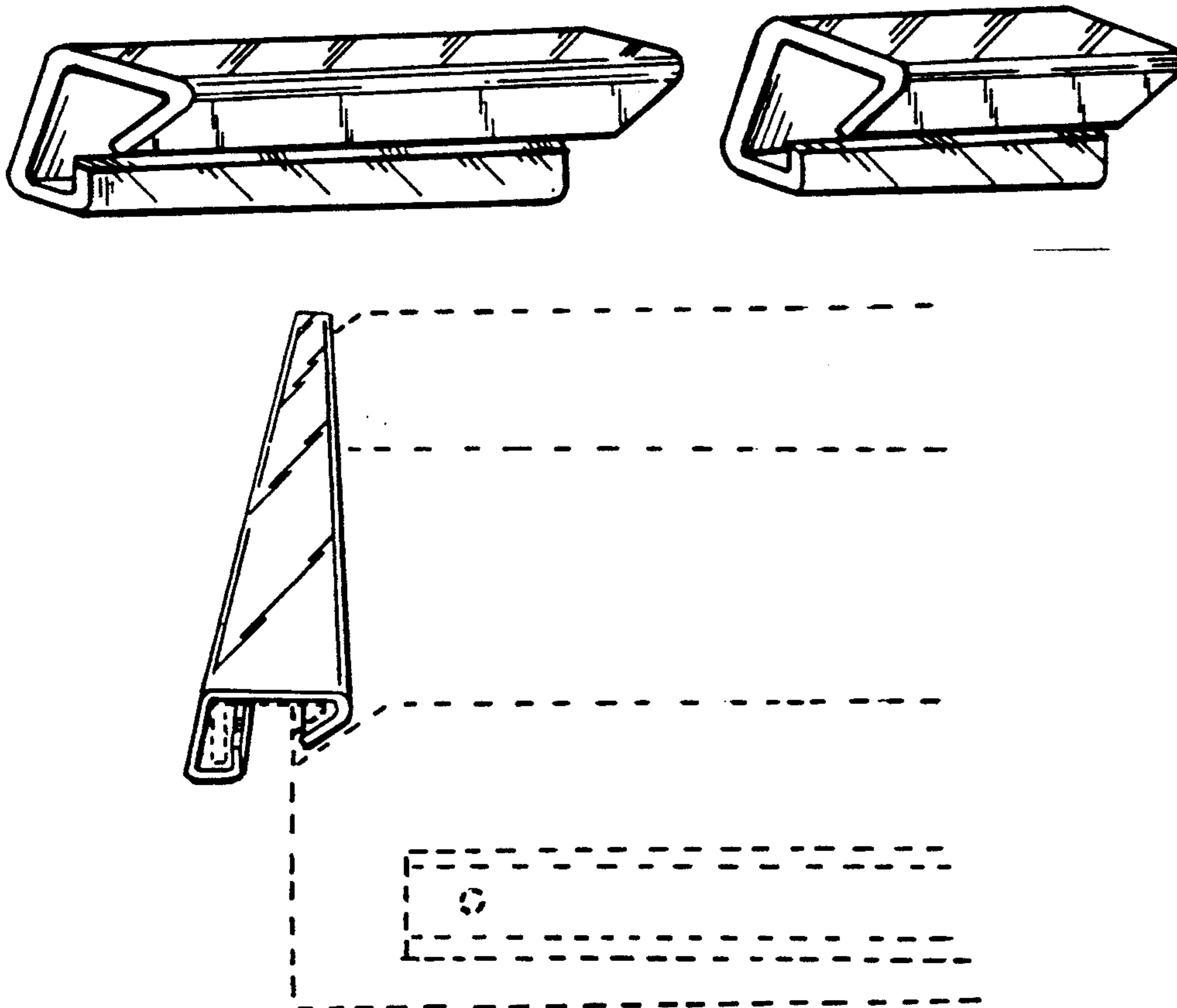
FIG. 4 is a fragmentary rear elevational view;

FIG. 5 is a fragmentary front elevational view;

FIG. 6 is a fragmentary bottom plan view; and,

FIG. 7 is a fragmentary top plan view thereof.

One end of the article has been shortened in FIGS. 4 through 7 in order to conserve space and to provide clarity in the drawing figures.



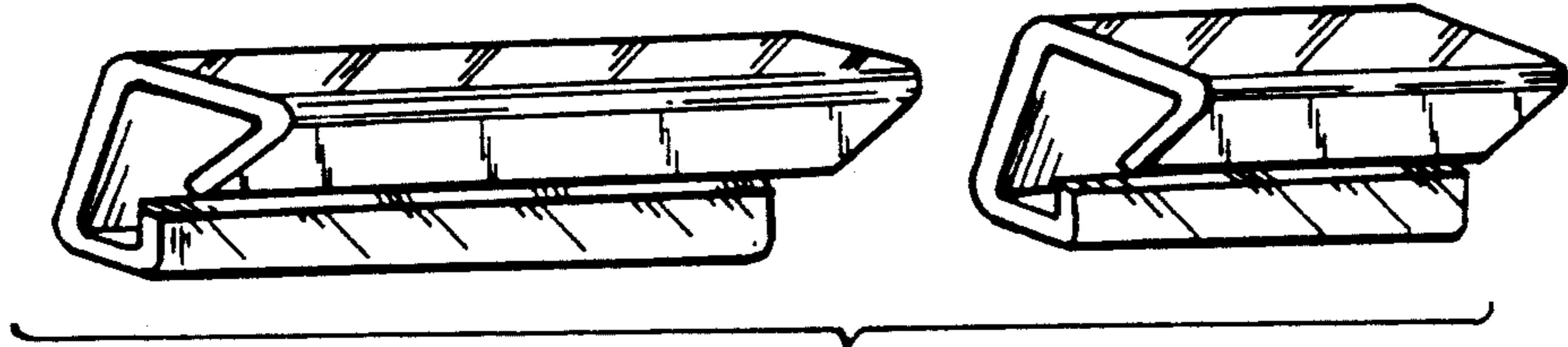


FIG. 1

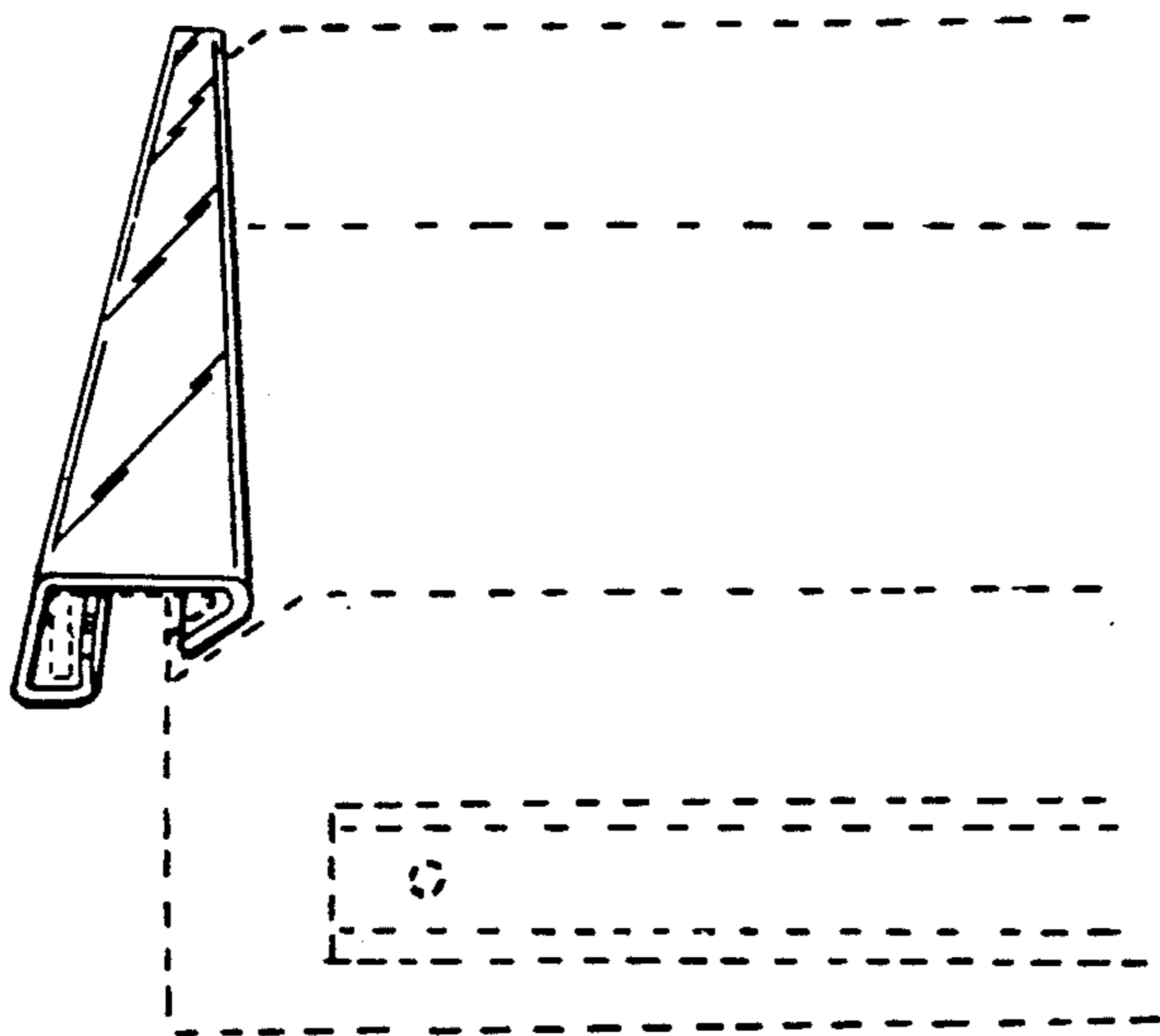


FIG. 2

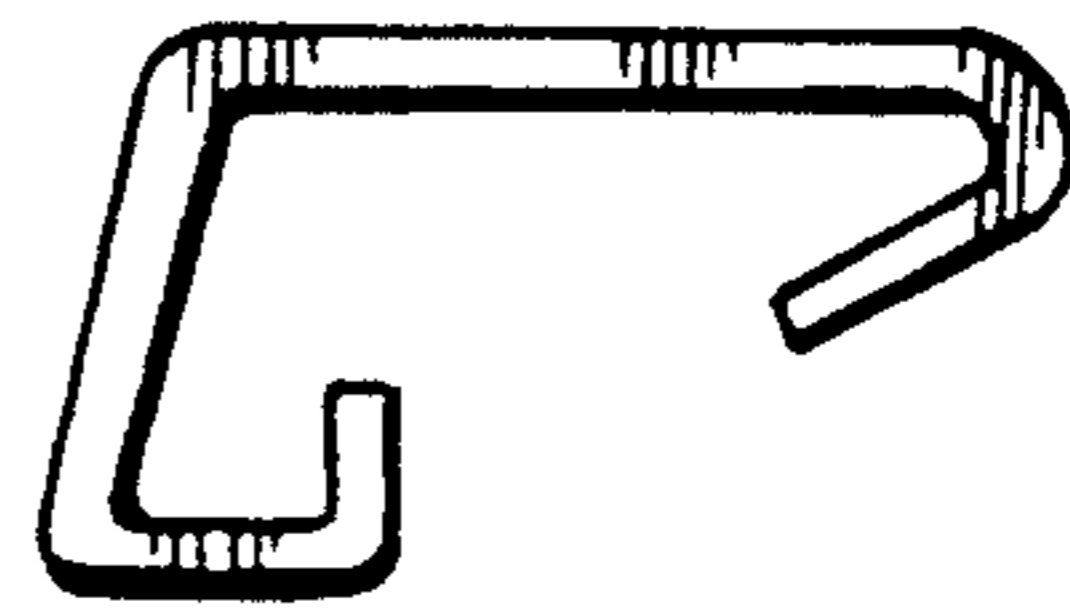


FIG. 3

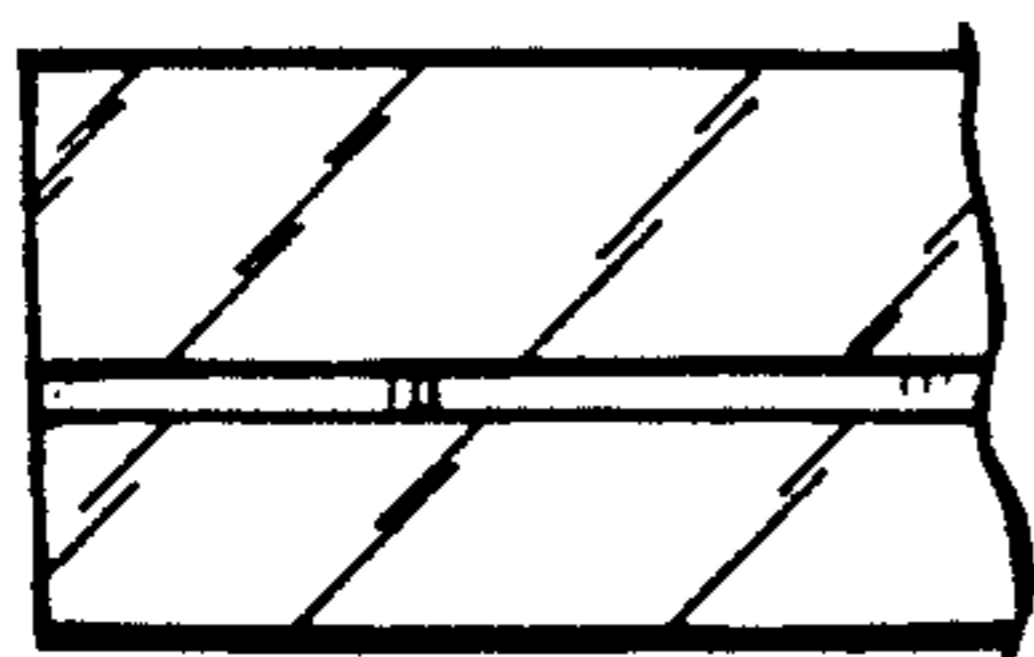


FIG. 4

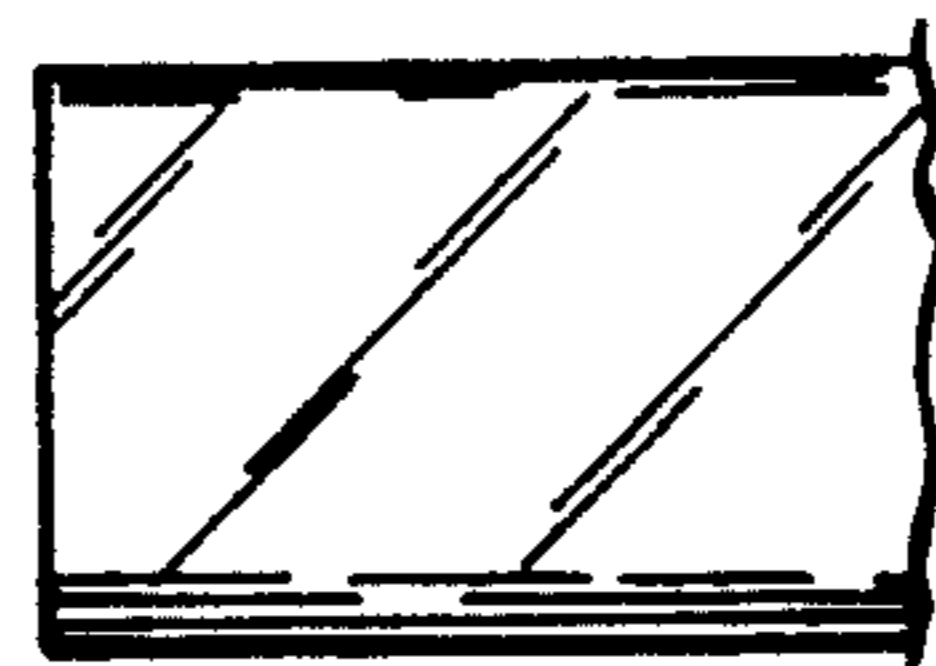


FIG. 5

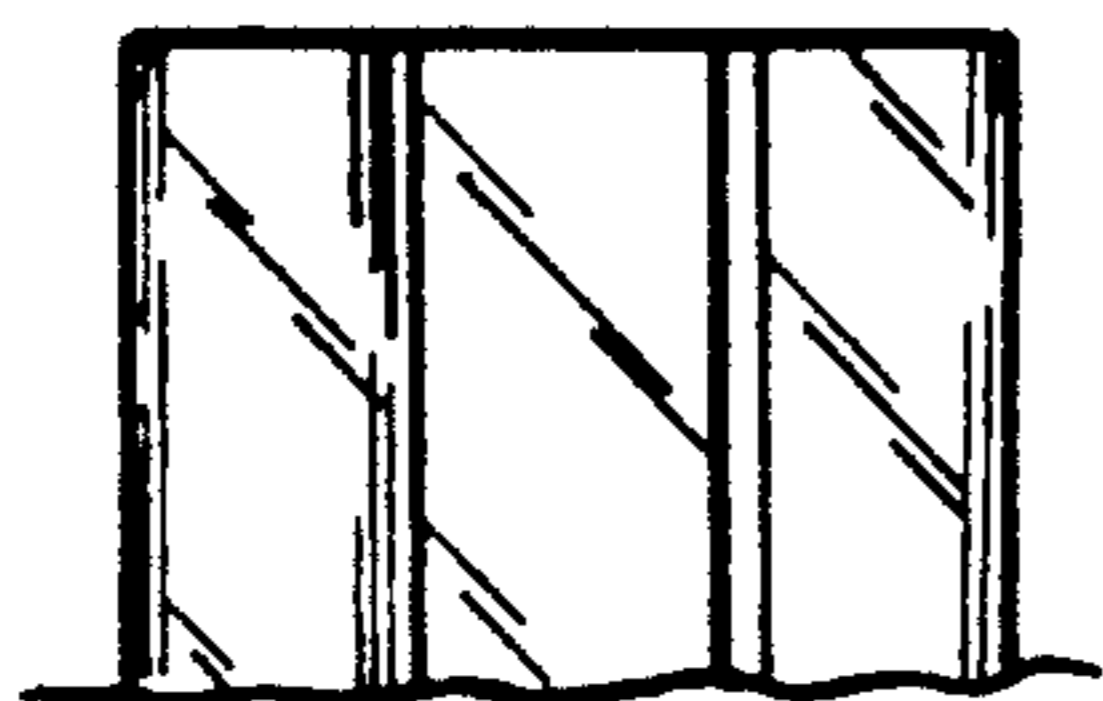


FIG. 6

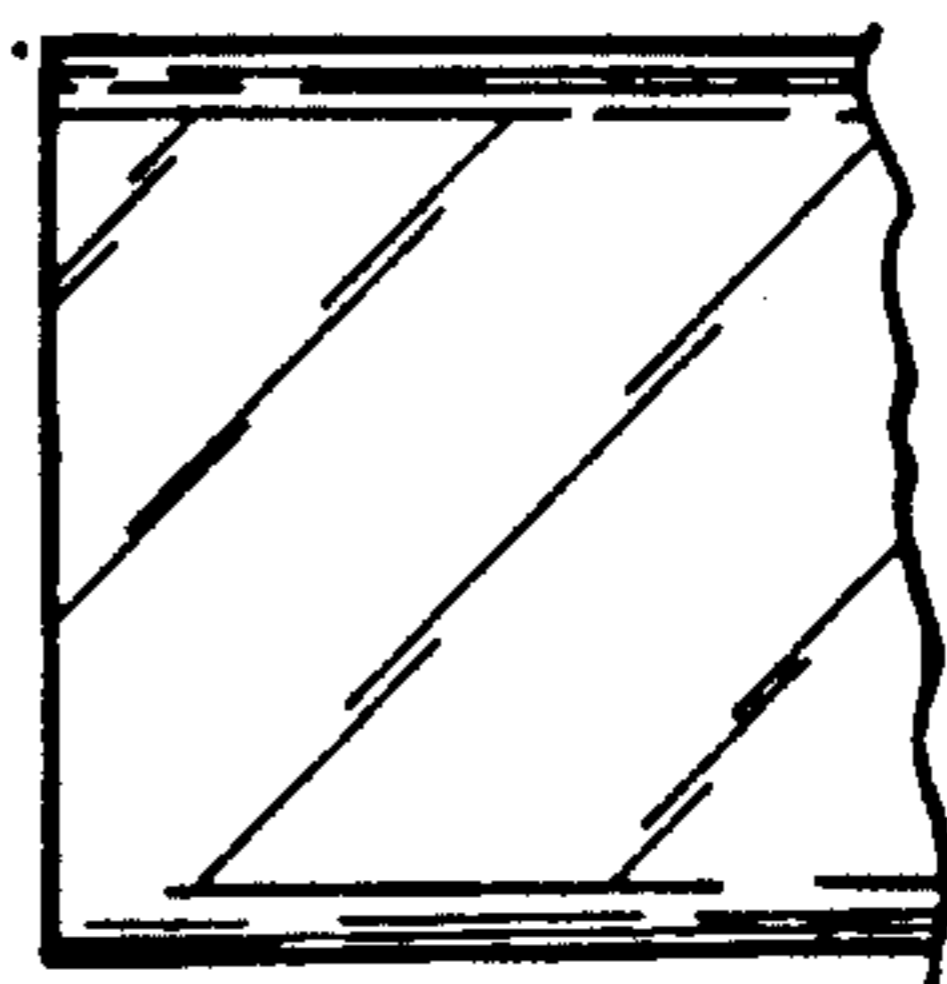


FIG. 7