



US00D331007S

United States Patent [19]

[11] Patent Number: **Des. 331,007**

Roick

[45] Date of Patent: **** Nov. 17, 1992**

[54] FURNITURE SPRING HOOK

[76] Inventor: **Reinhard M. Roick**, P.O. Box 734,
R.R. #1, Burks Falls, Ontario,
Canada, P0A 1C0

[**] Term: **14 Years**

[21] Appl. No.: **568,325**

[22] Filed: **Aug. 16, 1990**

[52] U.S. Cl. **D8/367; D8/395;**
D8/499

[58] Field of Search **D8/349, 367, 354, 356,**
D8/383, 395, 499; D6/323, 411, 418; 248/692,
674, 475.1, 478, 227, 215, 290, 294, 301, 303,
304, 205.3; 267/107; 24/347, DIG. 11

[56] References Cited

U.S. PATENT DOCUMENTS

D. 194,785	3/1963	Sasse	D8/395	X
D. 259,393	6/1981	Kuru	D8/380	X
D. 296,760	7/1988	McGrath	D8/367	X
D. 315,093	3/1991	Hanna	D8/349	X
3,309,052	3/1967	Borisof	D8/367	X

OTHER PUBLICATIONS

Anchor Plastics, 1960, p. 39, molding, item No. U-29 in middle of page.

Anchor Plastics, 1960, p. 47, molding, item No. EG-30 at bottom of page.

Anchor Plastics, 1960, p. 53, moldings, item No. MS-42 at bottom of page.

Primary Examiner—Wallace R. Burke

Assistant Examiner—H. Baynham

Attorney, Agent, or Firm—Riches, McKenzie & Herbert

[57] CLAIM

The ornamental design for a furniture spring hook, as shown and described.

DESCRIPTION

FIG. 1 is a top perspective view of a furniture spring hook showing my new design;

FIG. 2 is a side elevational view thereof;

FIG. 3 is an end elevational view thereof; the opposite end being a mirror image thereof;

FIG. 4 is a side elevational view thereof;

FIG. 5 is a top plan view thereof; and,

FIG. 6 is a bottom plan view thereof.

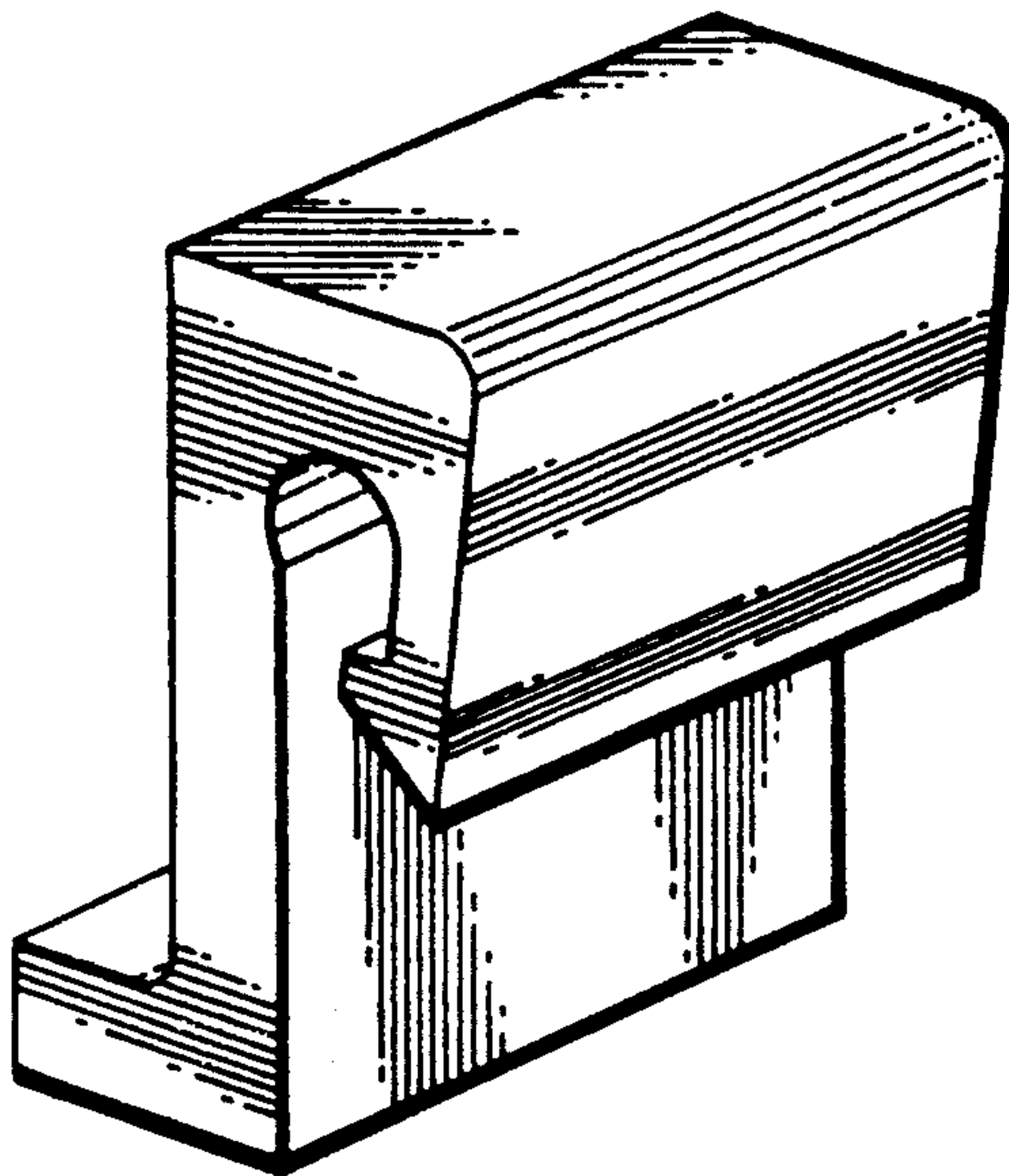


FIG. 1.

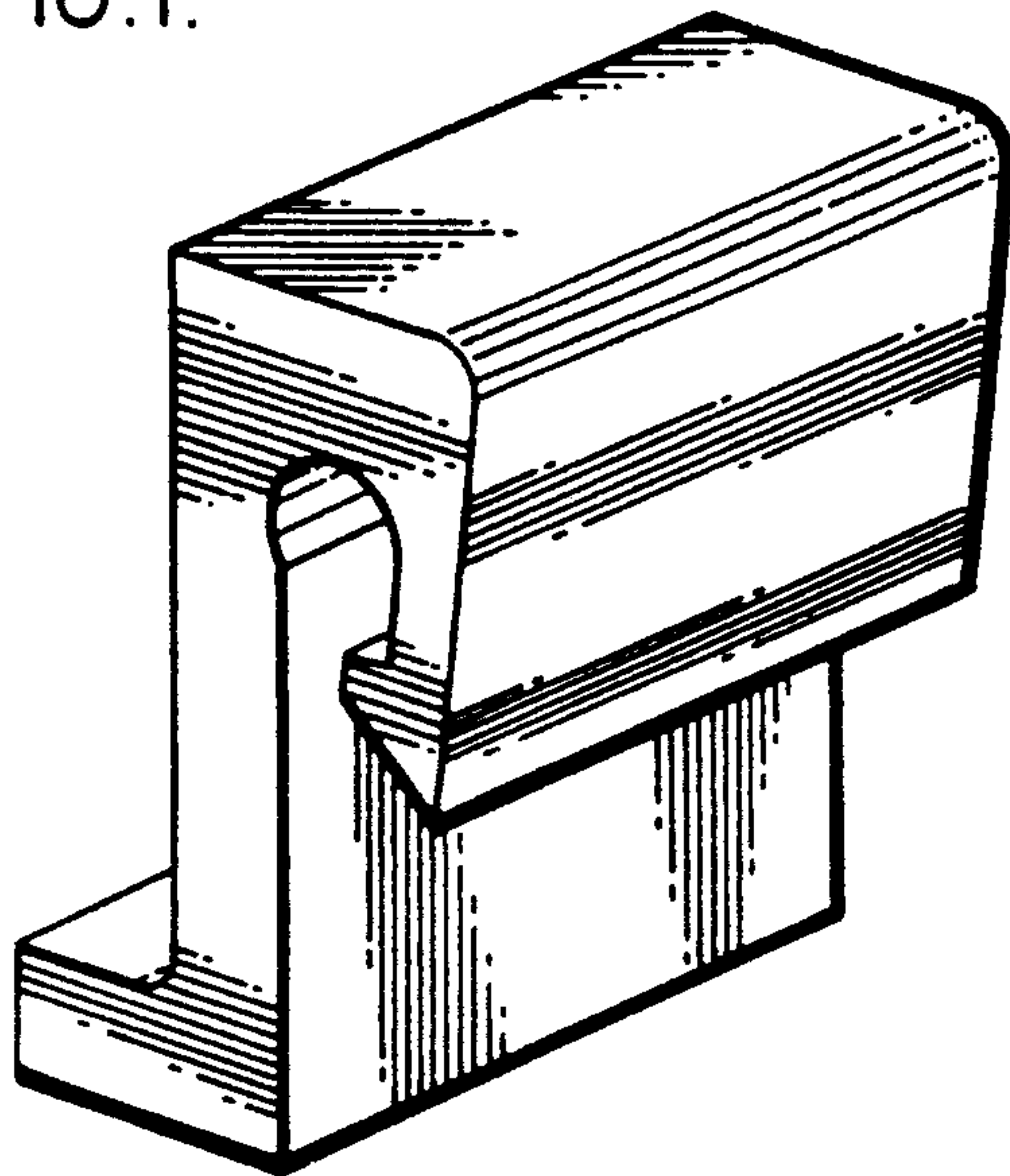


FIG. 2.

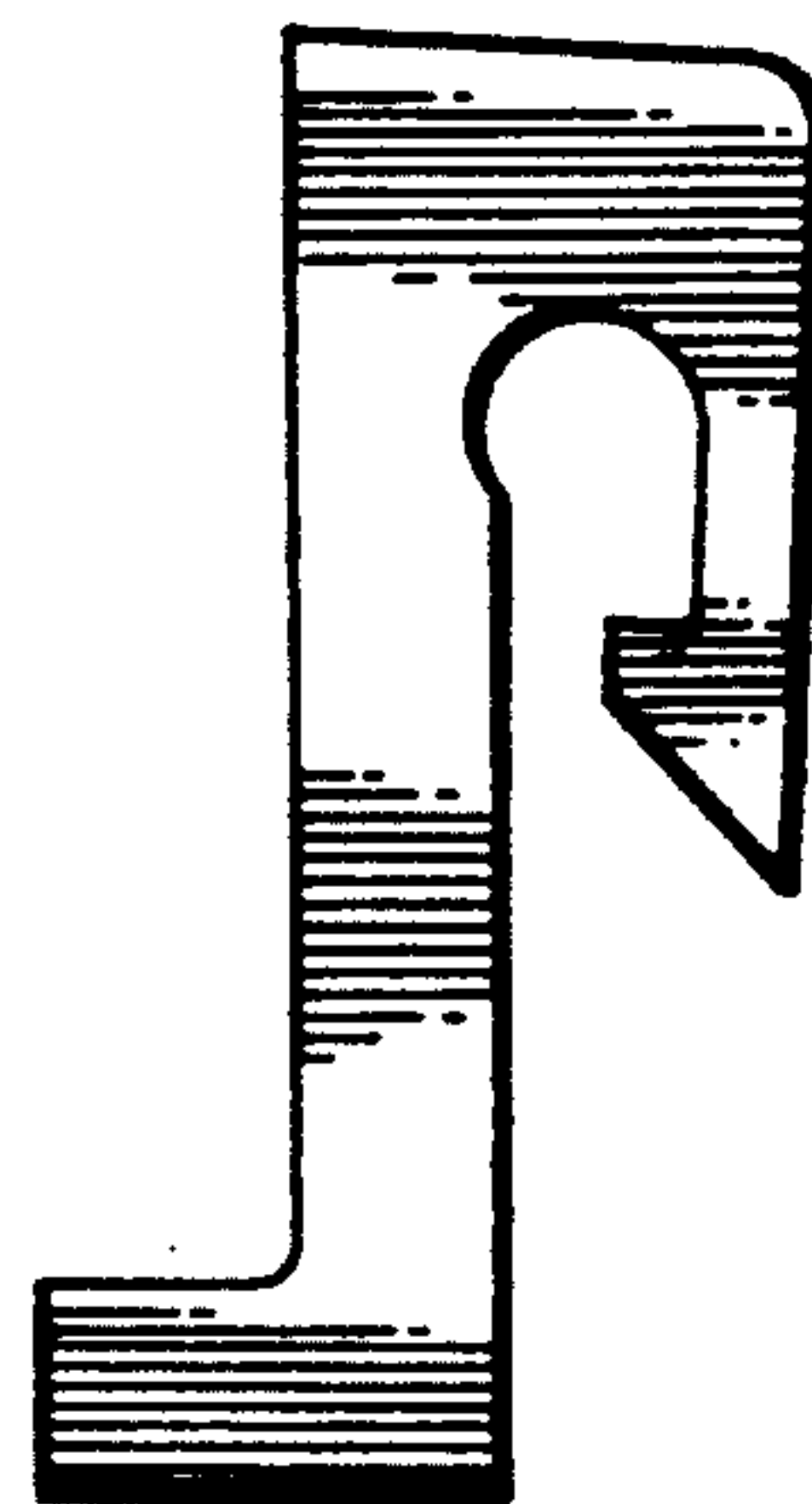


FIG. 3.

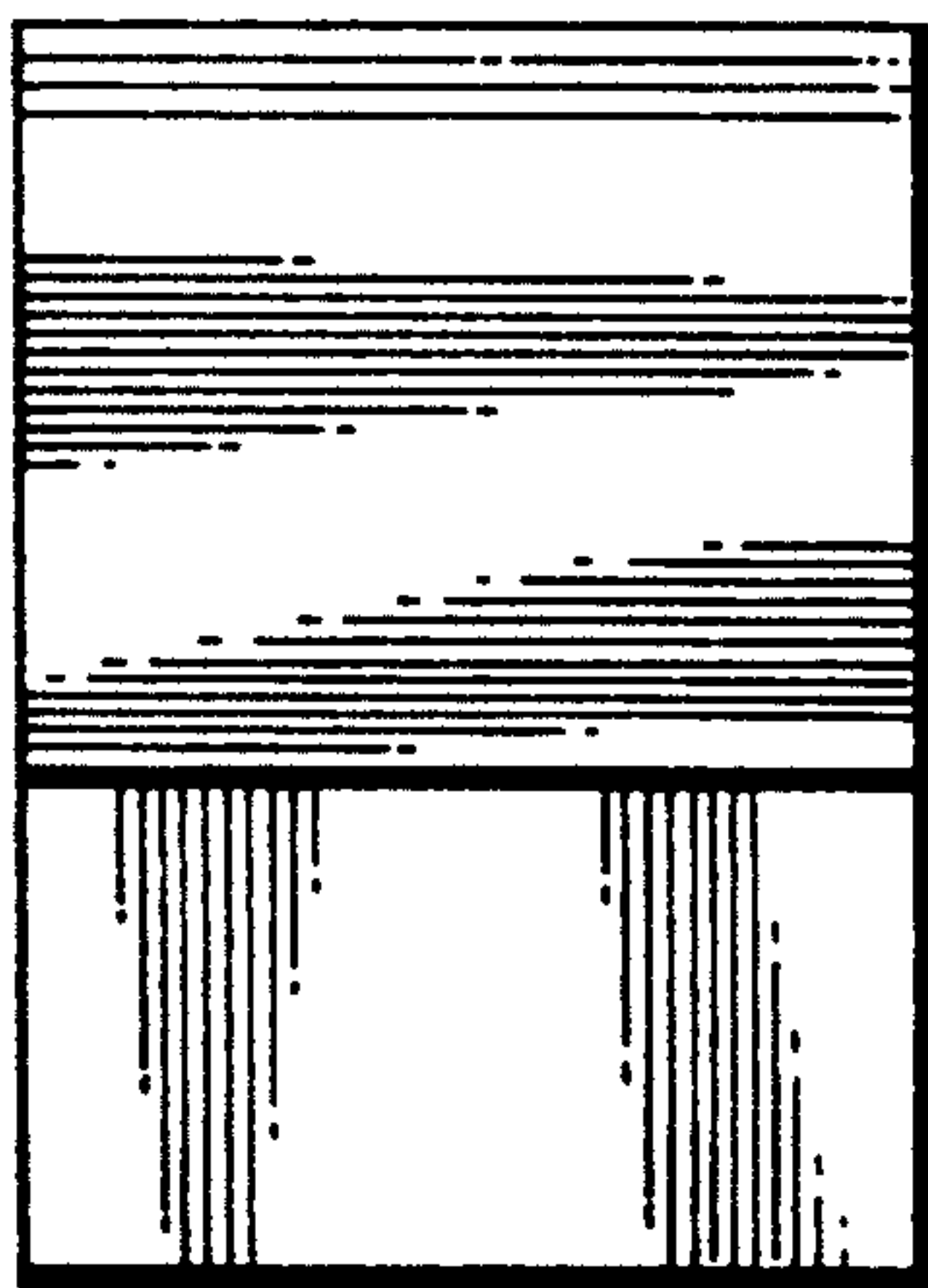


FIG. 4.

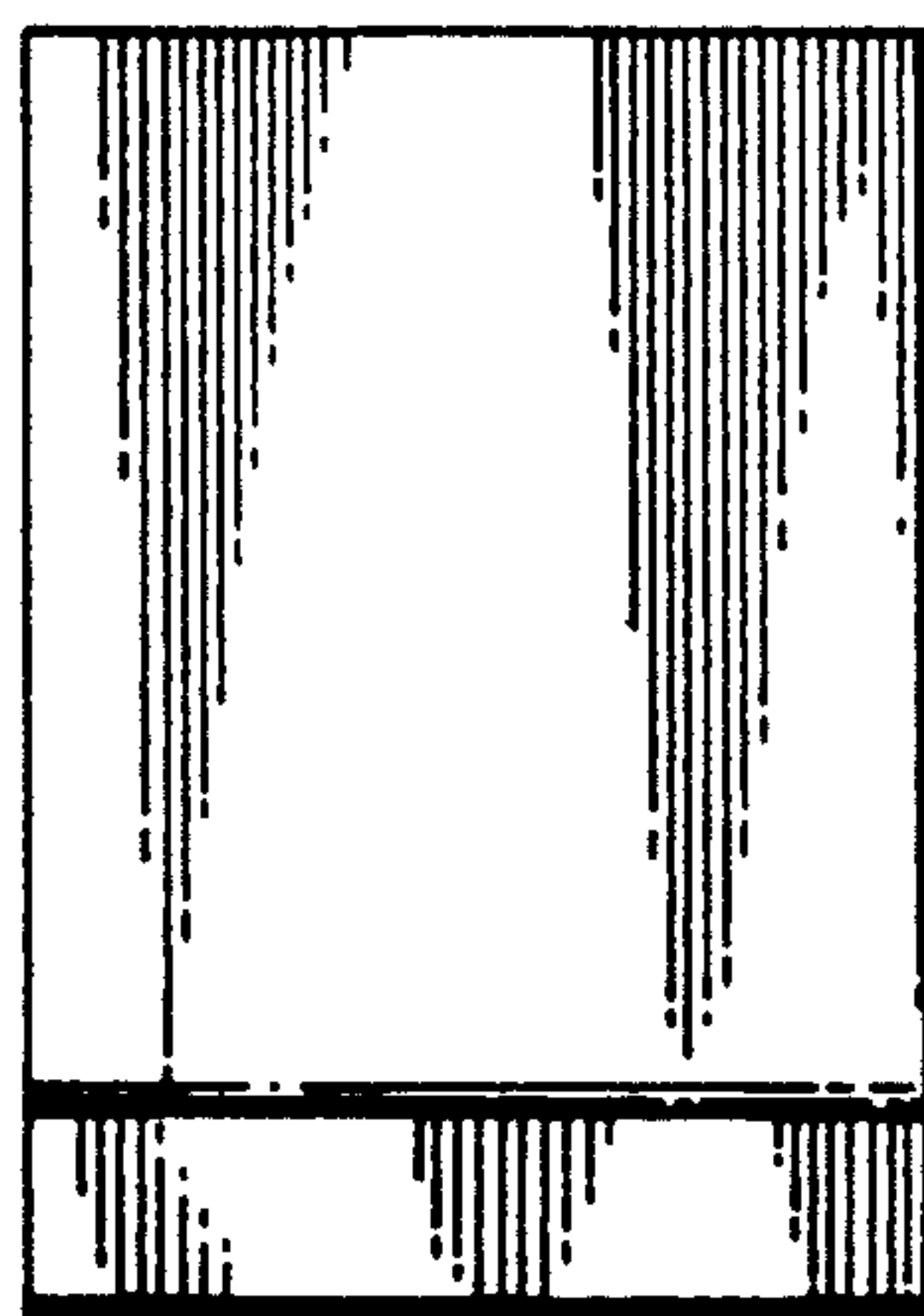


FIG. 5.



FIG. 6.

