



US00D331005S

# United States Patent [19] Plahn

[11] Patent Number: **Des. 331,005**

[45] Date of Patent: **\*\* Nov. 17, 1992**

[54] **ARTICLE HOLDING BRACKET**

[75] Inventor: **Katherine C. Plahn**, Maple Grove, Minn.

[73] Assignee: **DF&R Corporation**, Farmington Hills, Mich.

[\*\*] Term: **14 Years**

[21] Appl. No.: **624,758**

[22] Filed: **Dec. 10, 1990**

[52] U.S. Cl. .... **D8/355**

[58] Field of Search ..... **D8/355, 349, 354, 373;**  
**248/206.2-206.3, 209, 205.1, 205.5**

[56] **References Cited**

**U.S. PATENT DOCUMENTS**

D. 148,736	2/1948	Travis	.....	248/206.3	X
3,831,991	8/1974	Lukeman	.....	248/316.5	X
5,016,850	5/1991	Plahn	.....	248/206.3	

**FOREIGN PATENT DOCUMENTS**

1328060 4/1963 France ..... 248/206.3

**OTHER PUBLICATIONS**

Venibor Hand Suction Cups Catalog, Jul. 16, 1986, p. A-64, item A in middle of page.

*Primary Examiner*—Wallace R. Burke

*Assistant Examiner*—H. Baynham

*Attorney, Agent, or Firm*—Patterson & Keough

[57] **CLAIM**

The ornamental design for an article holding bracket, as shown and described.

**DESCRIPTION**

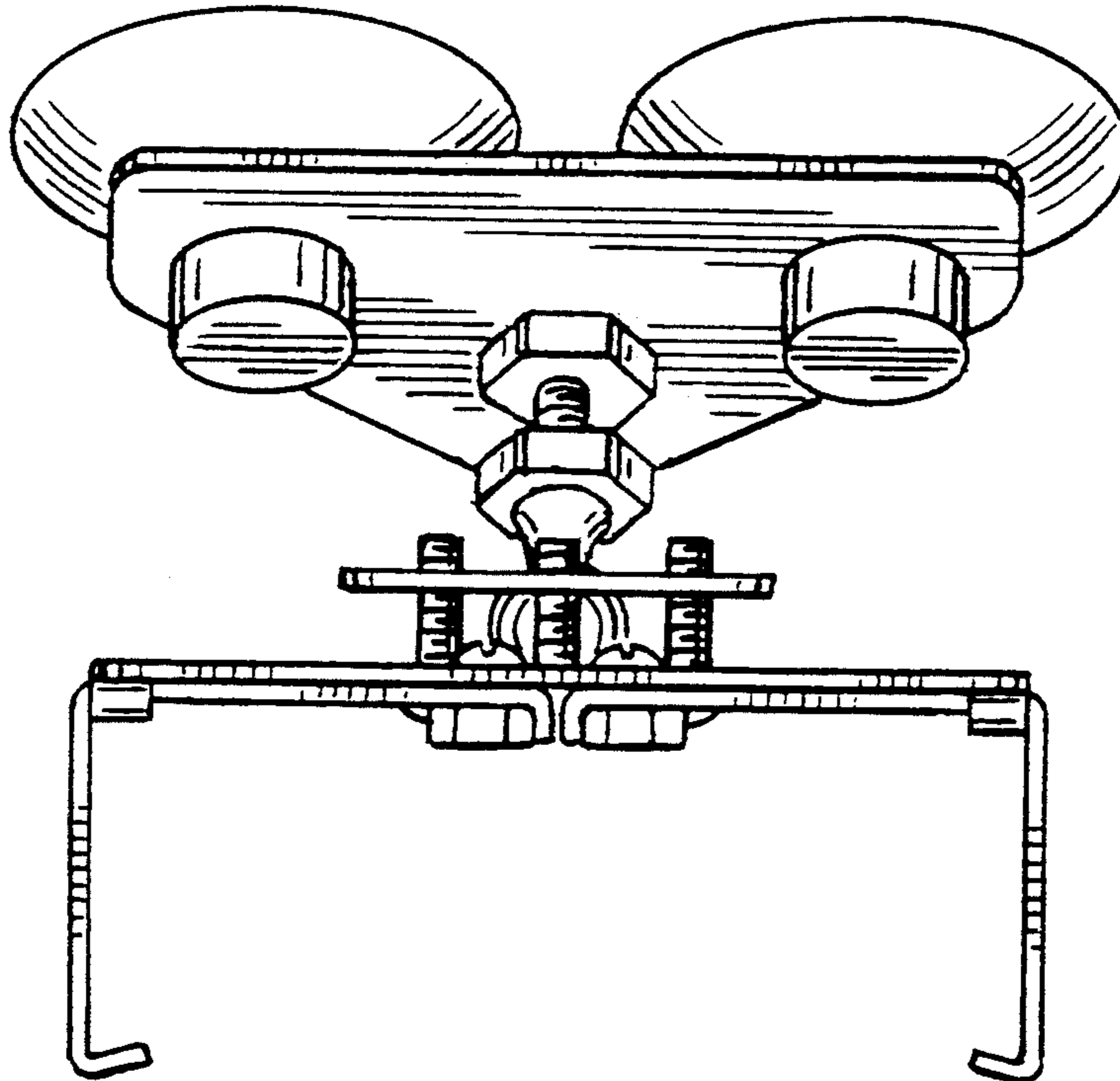
FIG. 1 is a side elevational view of an article holding bracket showing my new design;

FIG. 2 is a front, slightly in perspective view thereof;

FIG. 3 is a rear, slightly in perspective view thereof;

FIG. 4 is a top plan view thereof; and,

FIG. 5 is a bottom plan view thereof.



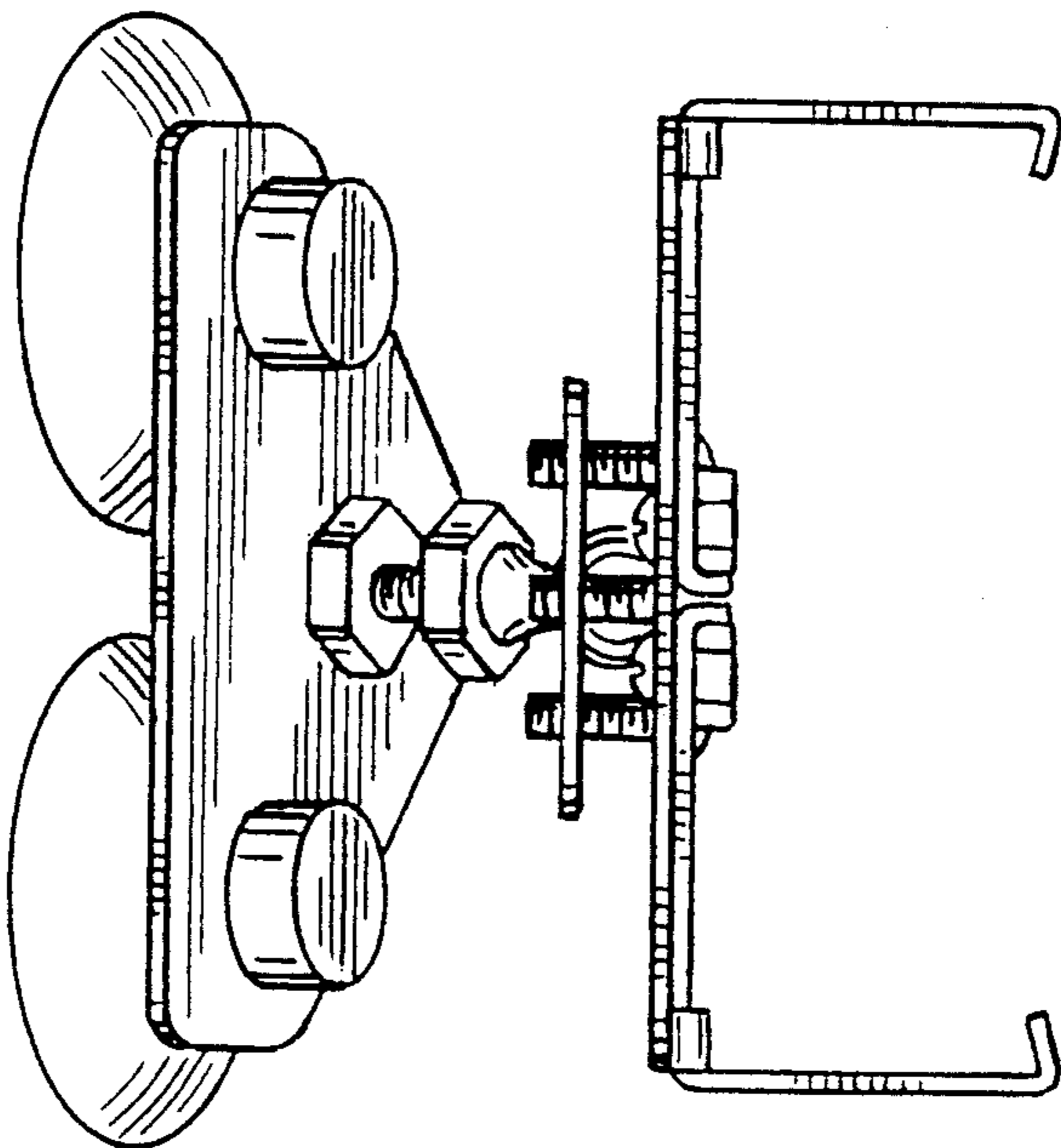


FIG. 1

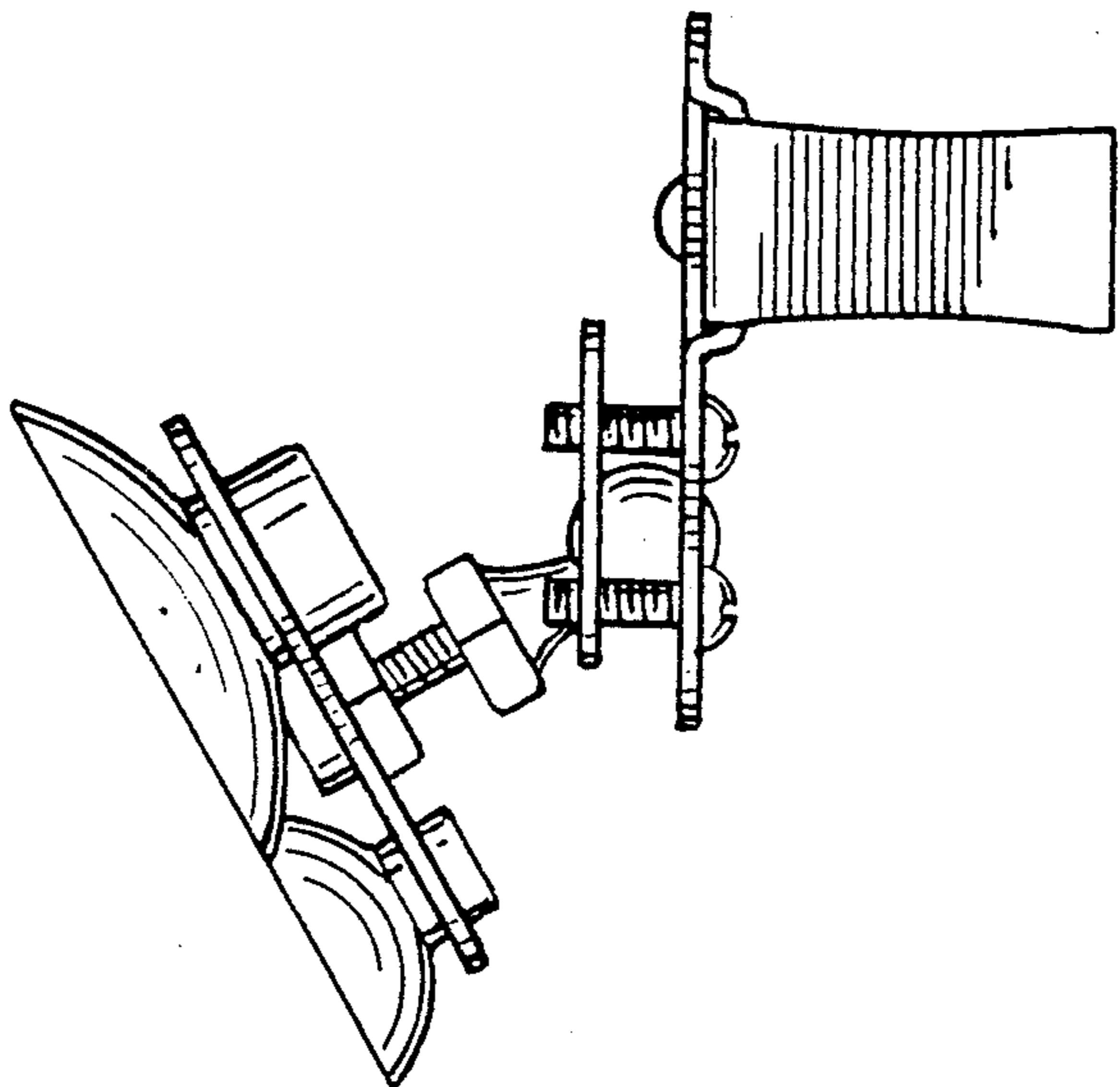


FIG. 2

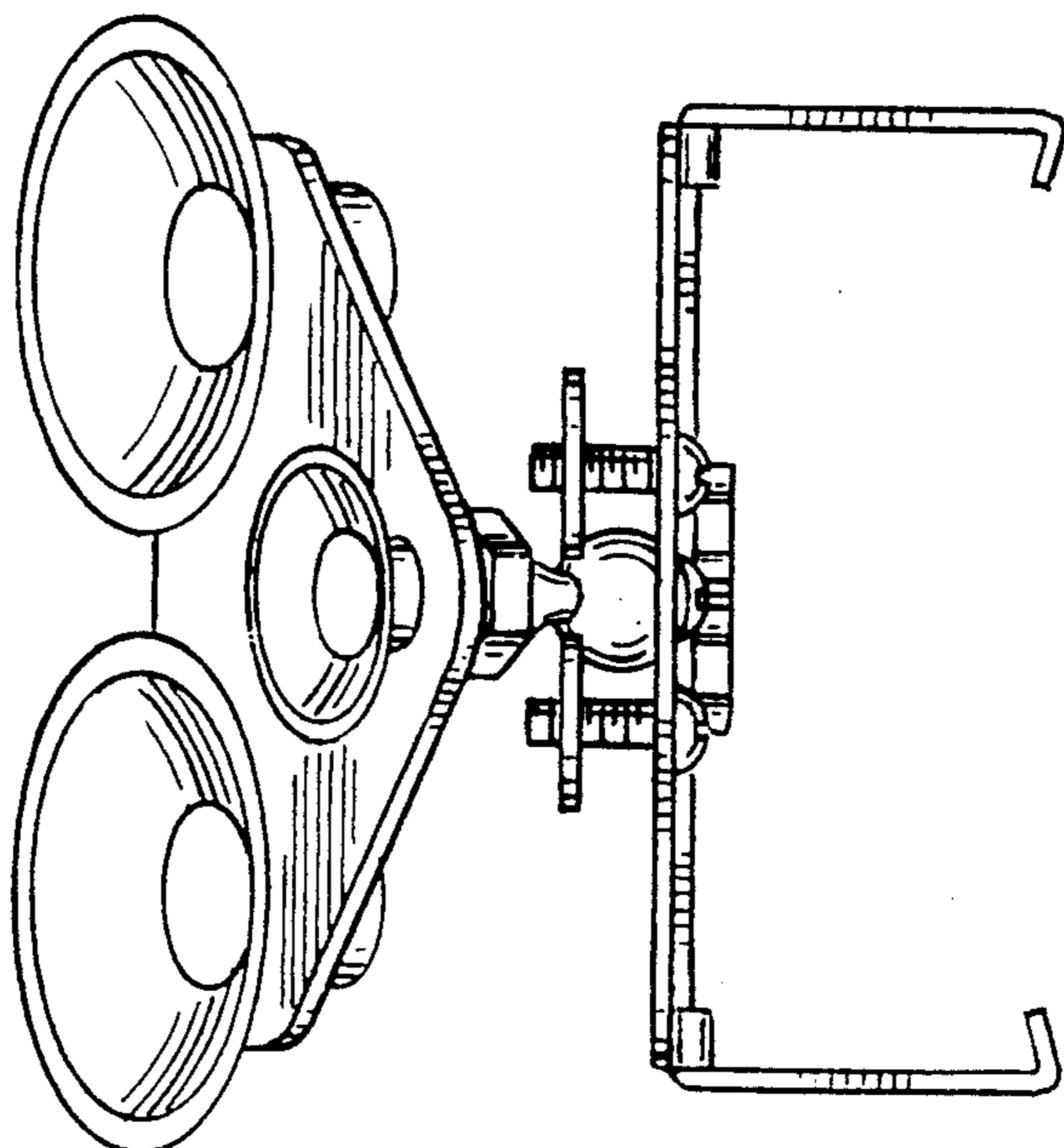
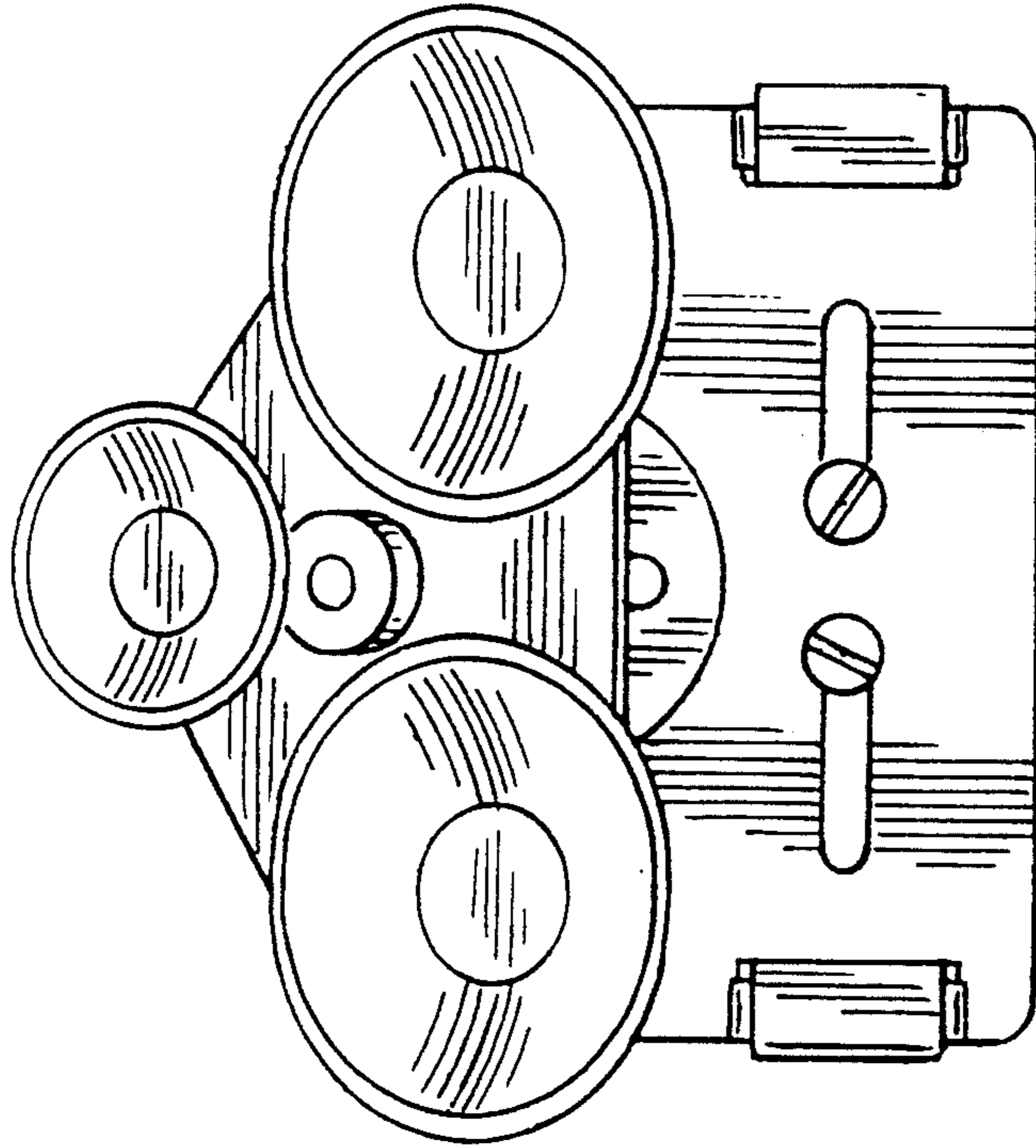
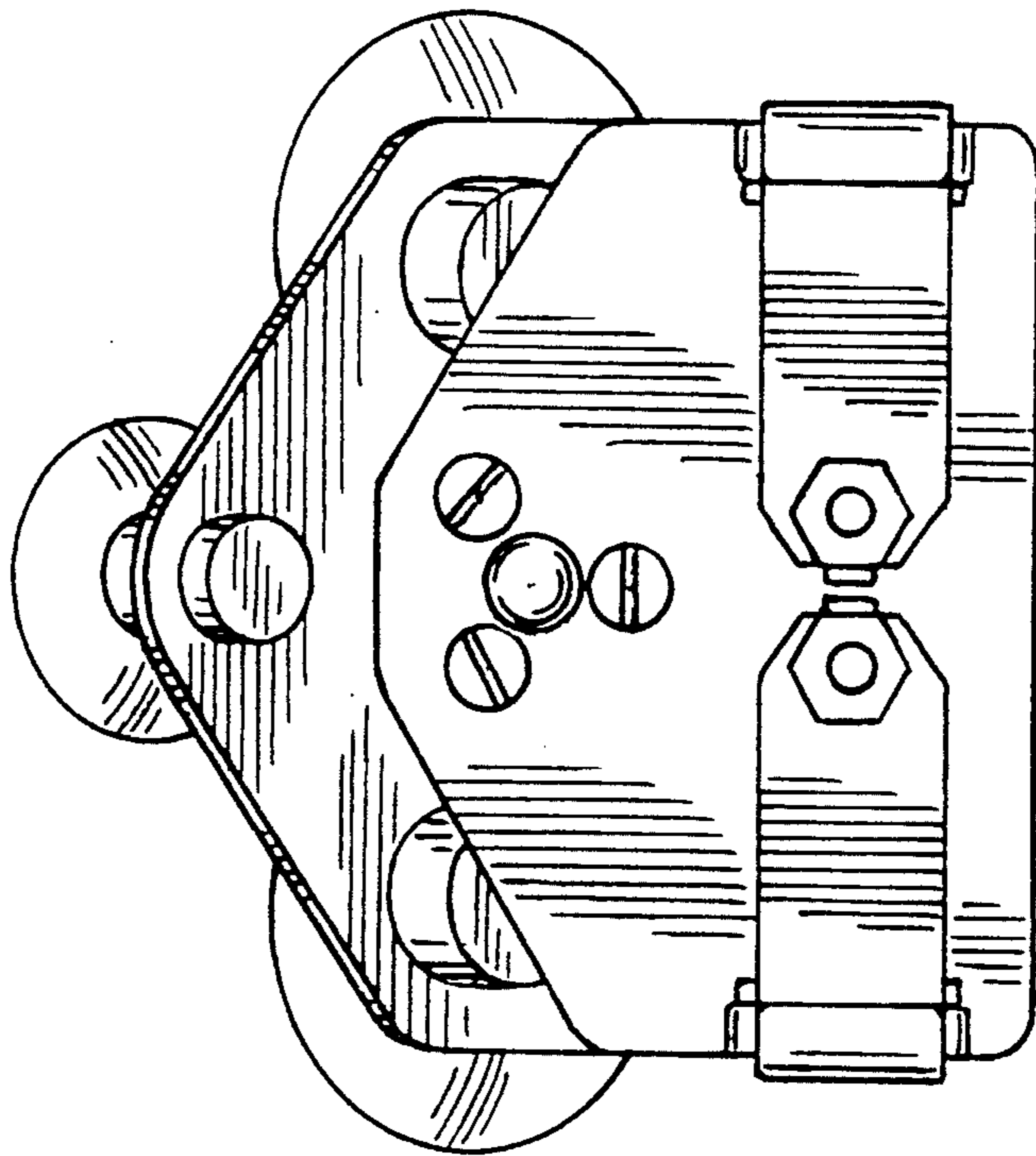


FIG. 3



*FIG. 4*



*FIG. 5*