



US00D331000S

United States Patent [19]

[11] Patent Number: **Des. 331,000**

Doorley

[45] Date of Patent: **** Nov. 17, 1992**

[54] **STAPLER**

D. 319,377	8/1991	Sadashima	D8/49
4,405,073	9/1983	Salleras Escalante	D8/50
4,726,505	2/1988	Okazaki	227/127

[75] Inventor: **Daniel Doorley**, Newtown, Pa.

[73] Assignee: **Hunt Holdings, Inc.**, Wilmington, Del.

Primary Examiner—Bernard Ansher
Assistant Examiner—R. Barkai
Attorney, Agent, or Firm—Synnestvedt & Lechner

[**] Term: **14 Years**

[57] **CLAIM**

[21] Appl. No.: **547,769**

The ornamental design for a stapler, as shown and described.

[22] Filed: **Jul. 3, 1990**

[52] U.S. Cl. **D8/50**

[58] Field of Search D8/49, 50; 227/120, 227/127, 128, 131, 151

DESCRIPTION

[56] **References Cited**

U.S. PATENT DOCUMENTS

D. 133,209	7/1942	Heller	D8/50
D. 277,161	1/1985	Miller	D8/49
D. 304,416	11/1989	Tanigami	D8/49
D. 305,092	12/1989	Olesen	D8/49

FIG. 1 is a perspective view of a stapler showing my new design;
FIG. 2 is a right side elevational view thereof, the side opposite being a mirror image;
FIG. 3 is a front elevational view thereof;
FIG. 4 is a rear elevational view thereof;
FIG. 5 is a top plan view thereof; and,
FIG. 6 is a bottom plan view thereof.

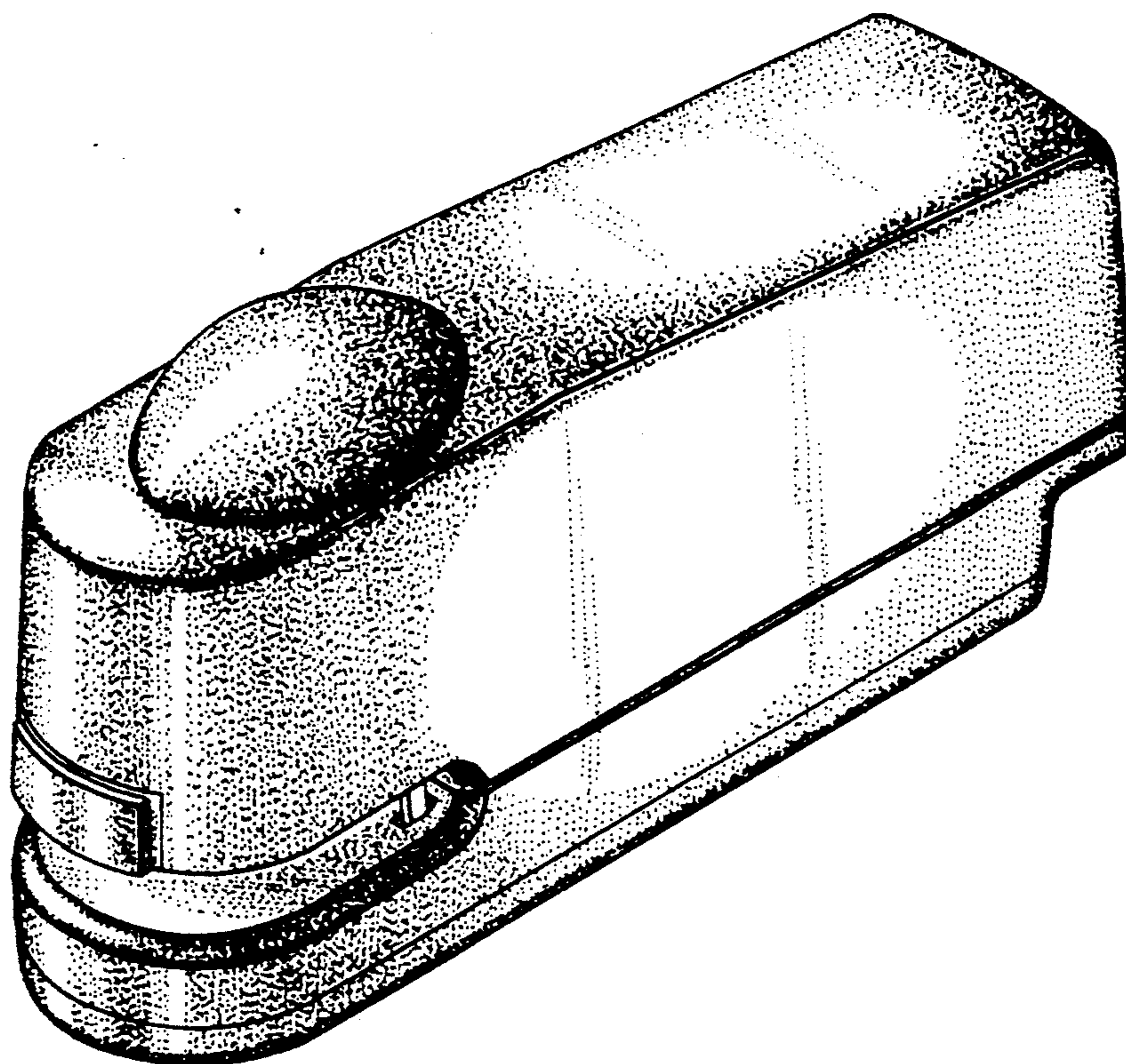


FIG. 1.

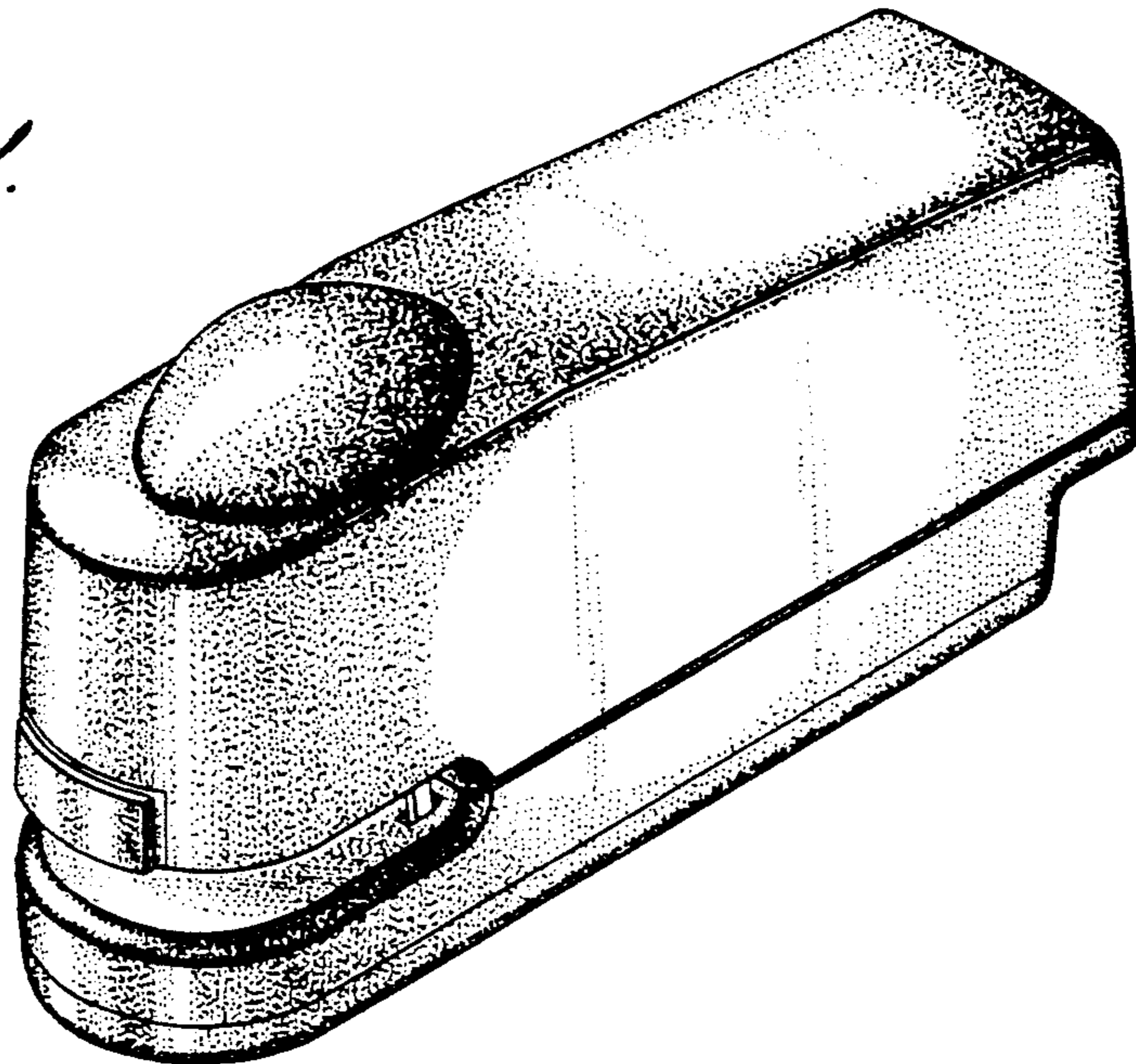


FIG. 2.

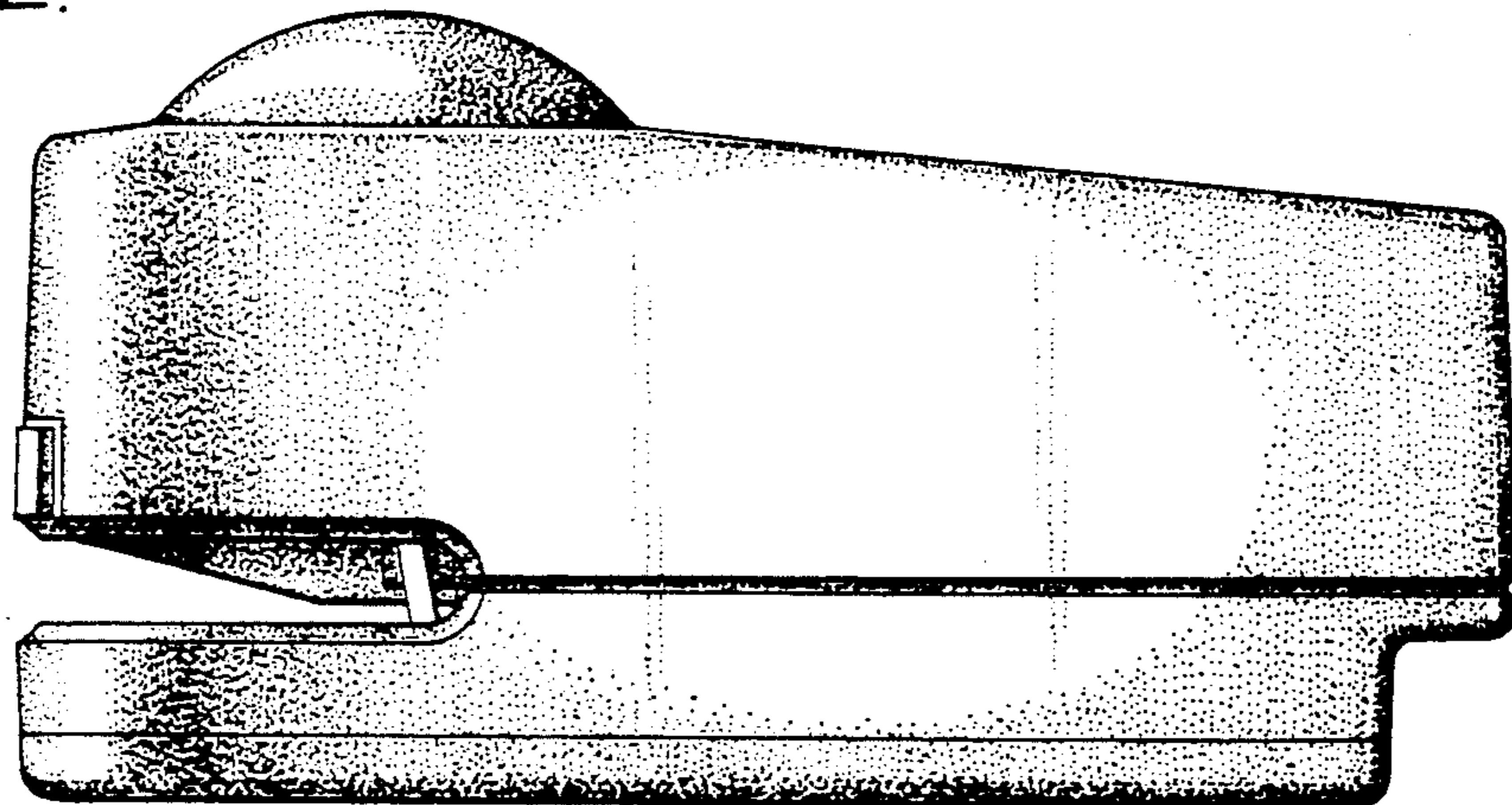


FIG. 3.

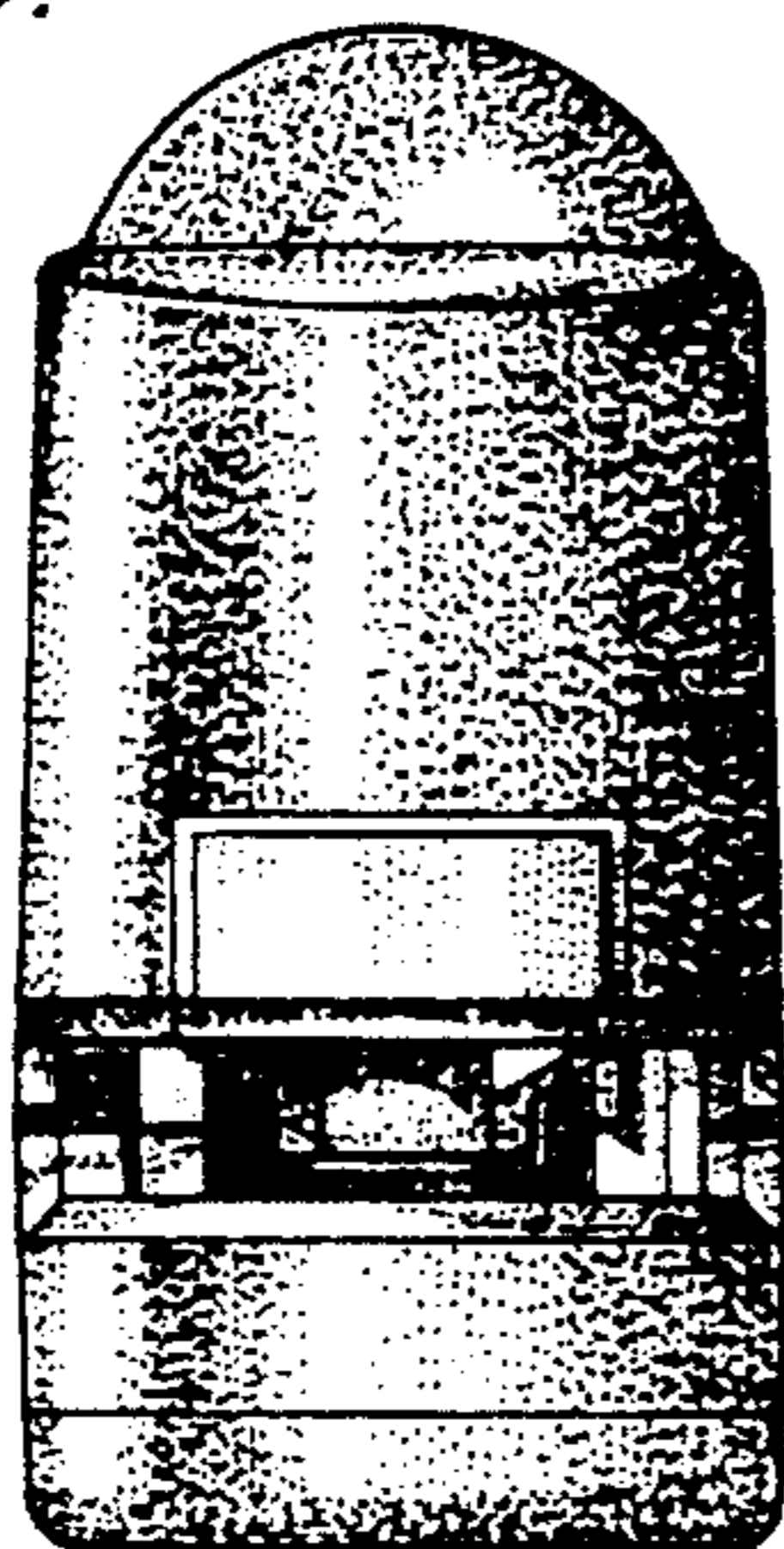


FIG. 4.

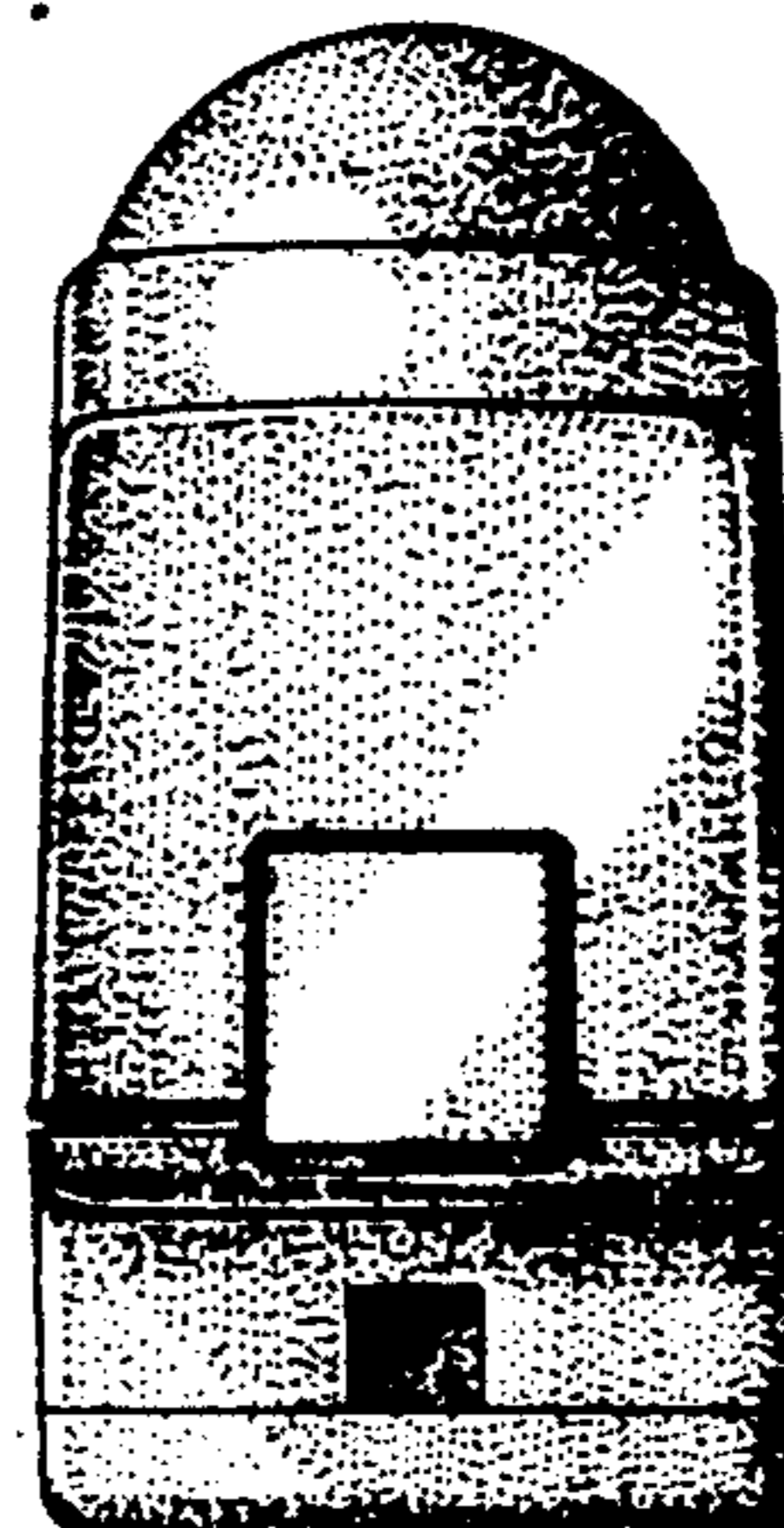


Fig. 5.

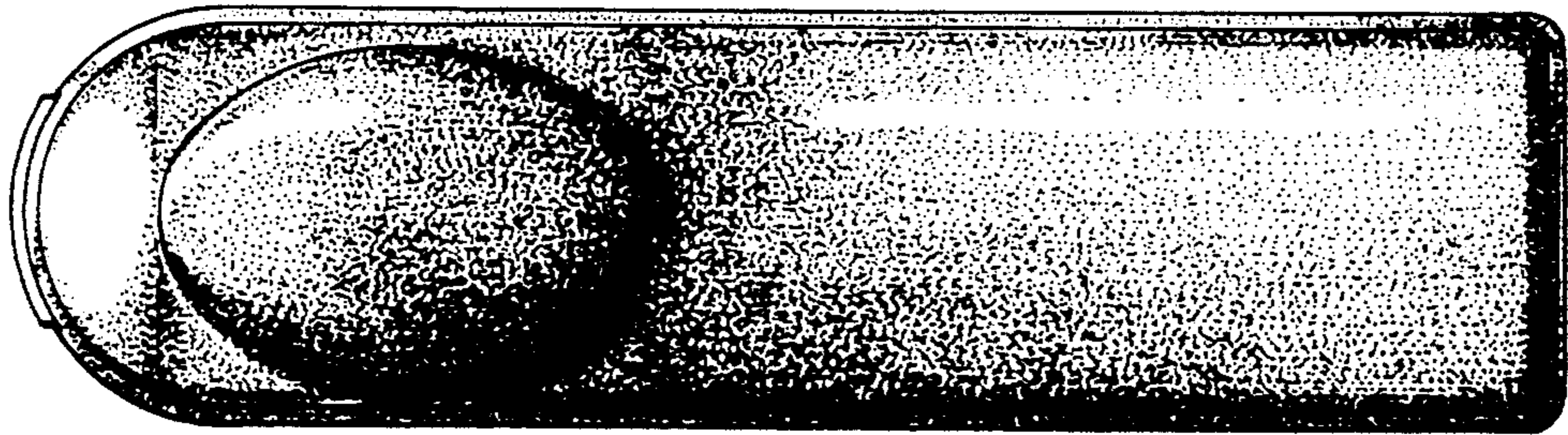


Fig. 6.

