



US00D330998S

# United States Patent [19]

Watmore et al.

[11] Patent Number: **Des. 330,998**

[45] Date of Patent: **\*\* Nov. 17, 1992**

[54] **SOLDERING IRON**

[75] Inventors: **John P. Watmore**, Bennettsbridge;  
**Alfred P. Oglesby**, Carlow; **John P. Oglesby**, Shrute; **Damian Brett**,  
Crossneen, all of Ireland

[73] Assignee: **Oglesby & Butler Ltd.**, Ireland

[\*\*] Term: **14 Years**

[21] Appl. No.: **402,595**

[22] Filed: **Sep. 5, 1989**

[30] **Foreign Application Priority Data**

Mar. 3, 1989 [IE] Ireland ..... 67/89

[52] U.S. Cl. .... **D8/30**

[58] Field of Search ..... D8/30, 61, 68, 70, 312;  
D13/101, 103, 107; 219/86.21, 227, 229;  
228/51, 55

[56] **References Cited**

### U.S. PATENT DOCUMENTS

D. 268,474 4/1983 Sylvia ..... D8/30  
D. 271,938 12/1983 Sylvia ..... D8/30

D. 285,283 8/1986 Cheng ..... D8/30  
D. 290,776 7/1987 Wallin ..... D8/30  
D. 317,704 6/1991 Zaborowski ..... D8/30  
3,392,897 7/1968 Siegel ..... D8/30 X  
3,580,462 5/1971 Vanyi ..... D8/30 X

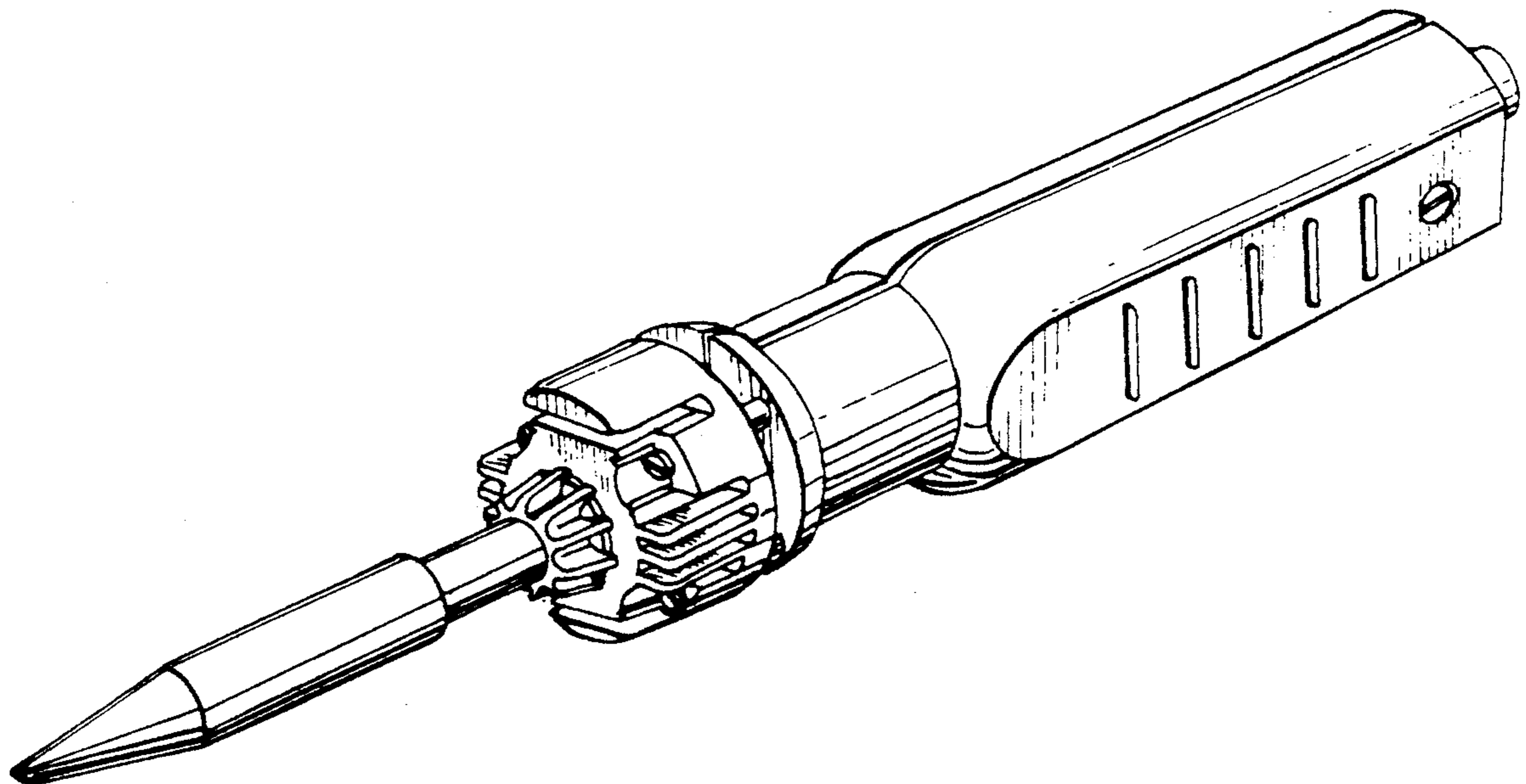
*Primary Examiner*—Carmen H. Vales-Lado  
*Assistant Examiner*—J. H. Musgrove  
*Attorney, Agent, or Firm*—Sughrue, Mion, Zinn,  
Macpeak & Seas

### [57] CLAIM

The ornamental design for a soldering iron, as shown and described.

### DESCRIPTION

FIG. 1 is a top, front and right-side perspective view of a soldering iron showing our new design;  
FIG. 2 is a top, rear, and right-side perspective view thereof;  
FIG. 3 is a right-side elevational view, the opposite side being a mirror image thereof;  
FIG. 4 is a top plan view thereof, the bottom plan view being a mirror image thereof;  
FIG. 5 is a front elevational view thereof; and,  
FIG. 6 is a rear elevational view thereof.



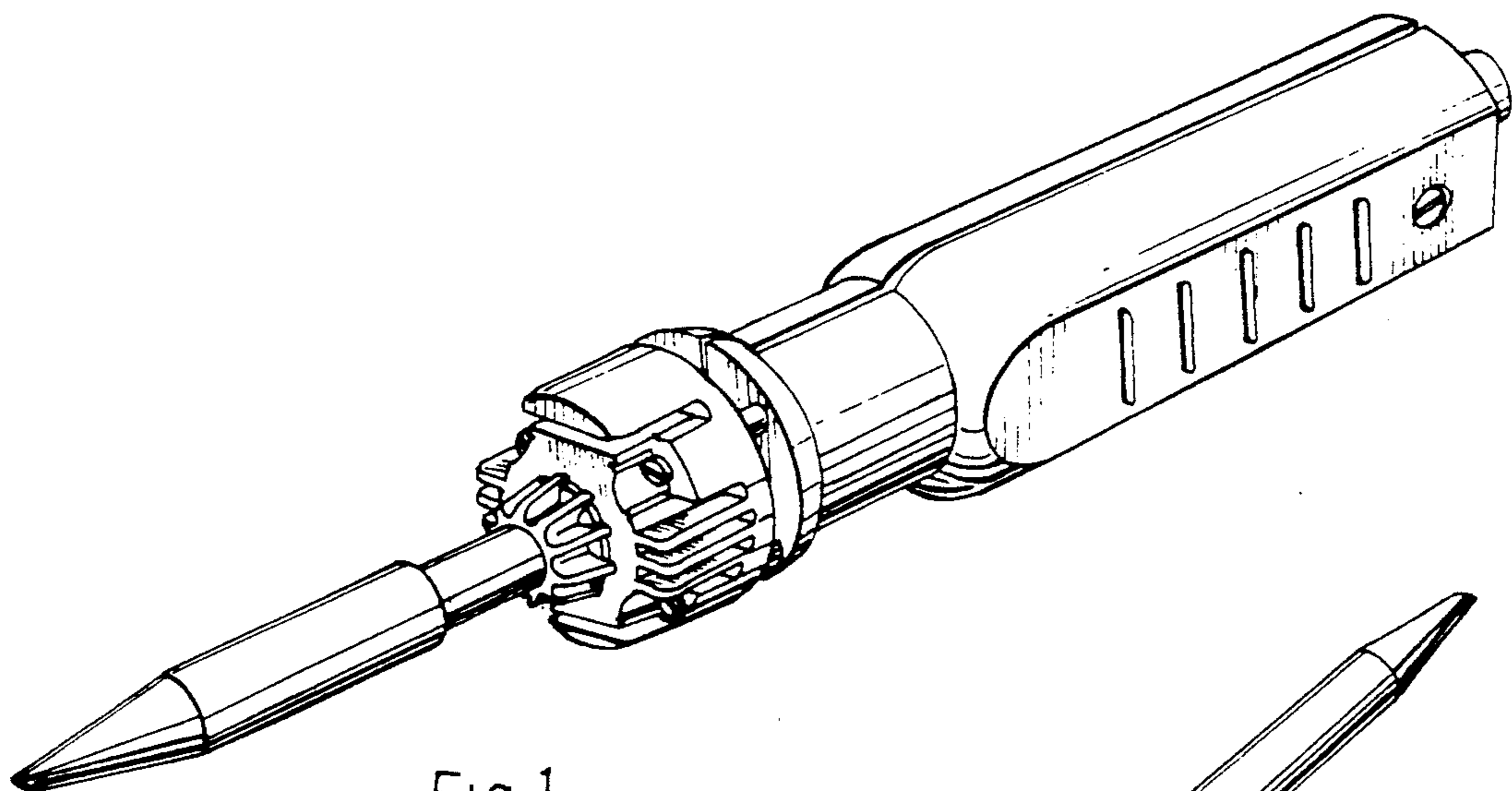


Fig 1

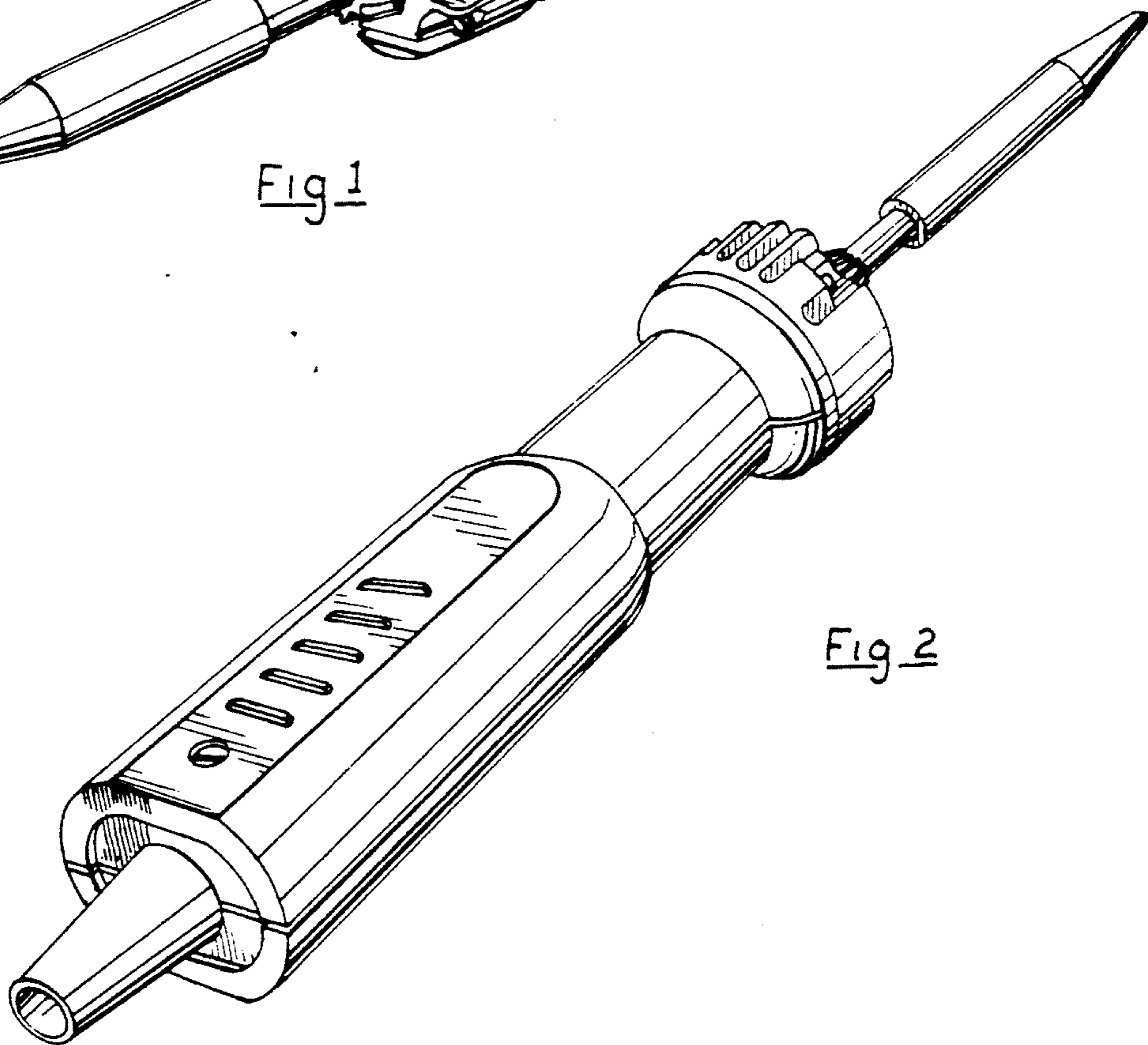


Fig 2

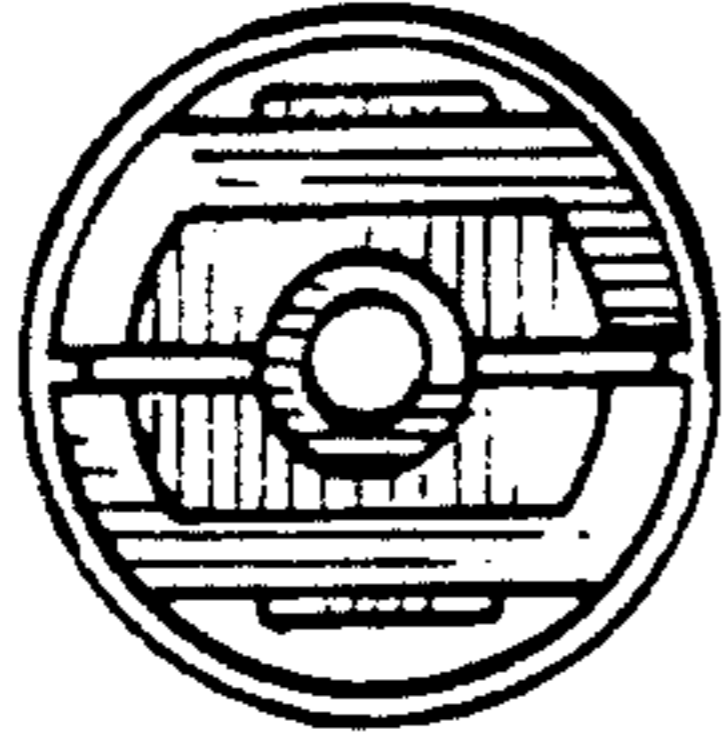


Fig 6

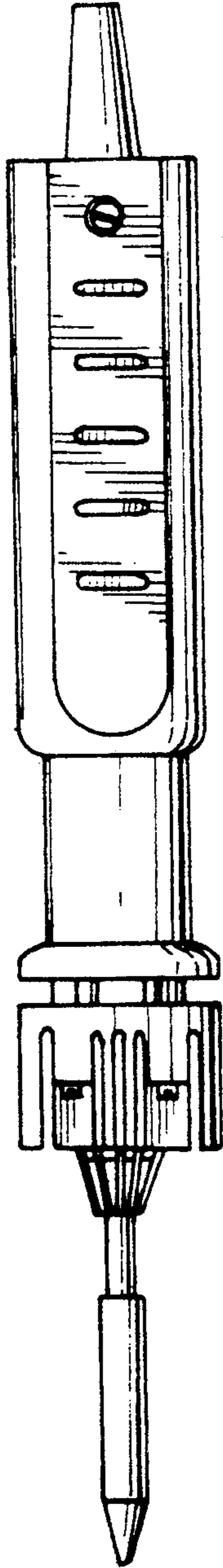


Fig 3

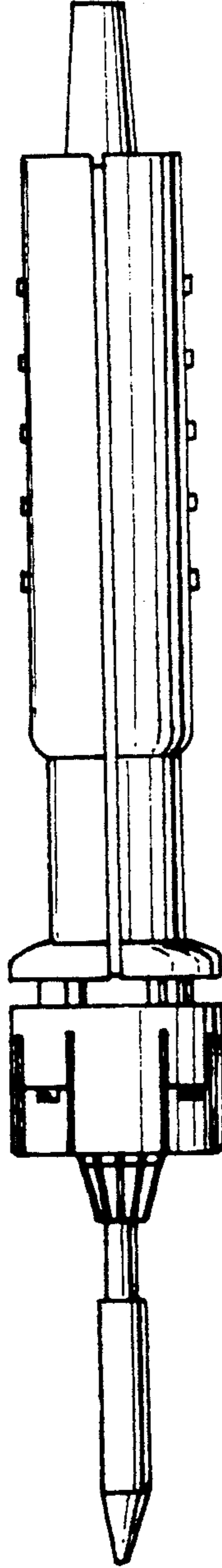


Fig 4

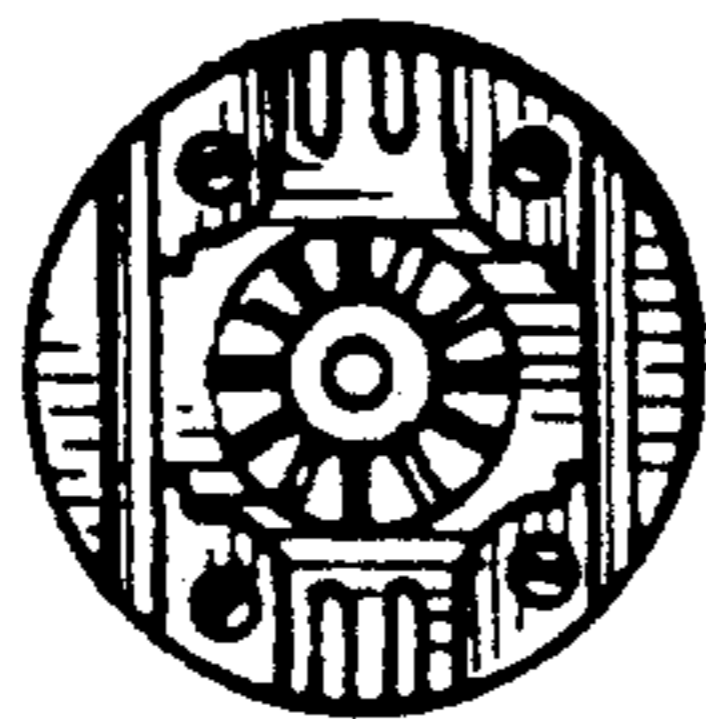


Fig 5