



US00D330996S

# United States Patent [19]

[11] Patent Number: **Des. 330,996**

Smith et al.

[45] Date of Patent: **\*\* Nov. 17, 1992**

[54] **NON-ROUND ICE CREAM CONTAINER**

[56] **References Cited**

### U.S. PATENT DOCUMENTS

[75] Inventors: **Ernest L. Smith, Kansas City, Mo.;**  
**Fred DeSieghardt, Shawnee Mission,**  
**Kans.**

D. 224,554 8/1972 Swett ..... D7/616  
D. 246,560 12/1977 Beauchamp et al. .... D7/616  
3,863,833 2/1975 Swett et al. .... D7/629 X

[73] Assignee: **Sealright Company, Inc., Overland**  
**Park, Kans.**

*Primary Examiner*—Terry A. Pfeffer  
*Attorney, Agent, or Firm*—Kokjer, Kircher, Bowman &  
Johnson

[\*\*] Term: **14 Years**

### [57] CLAIM

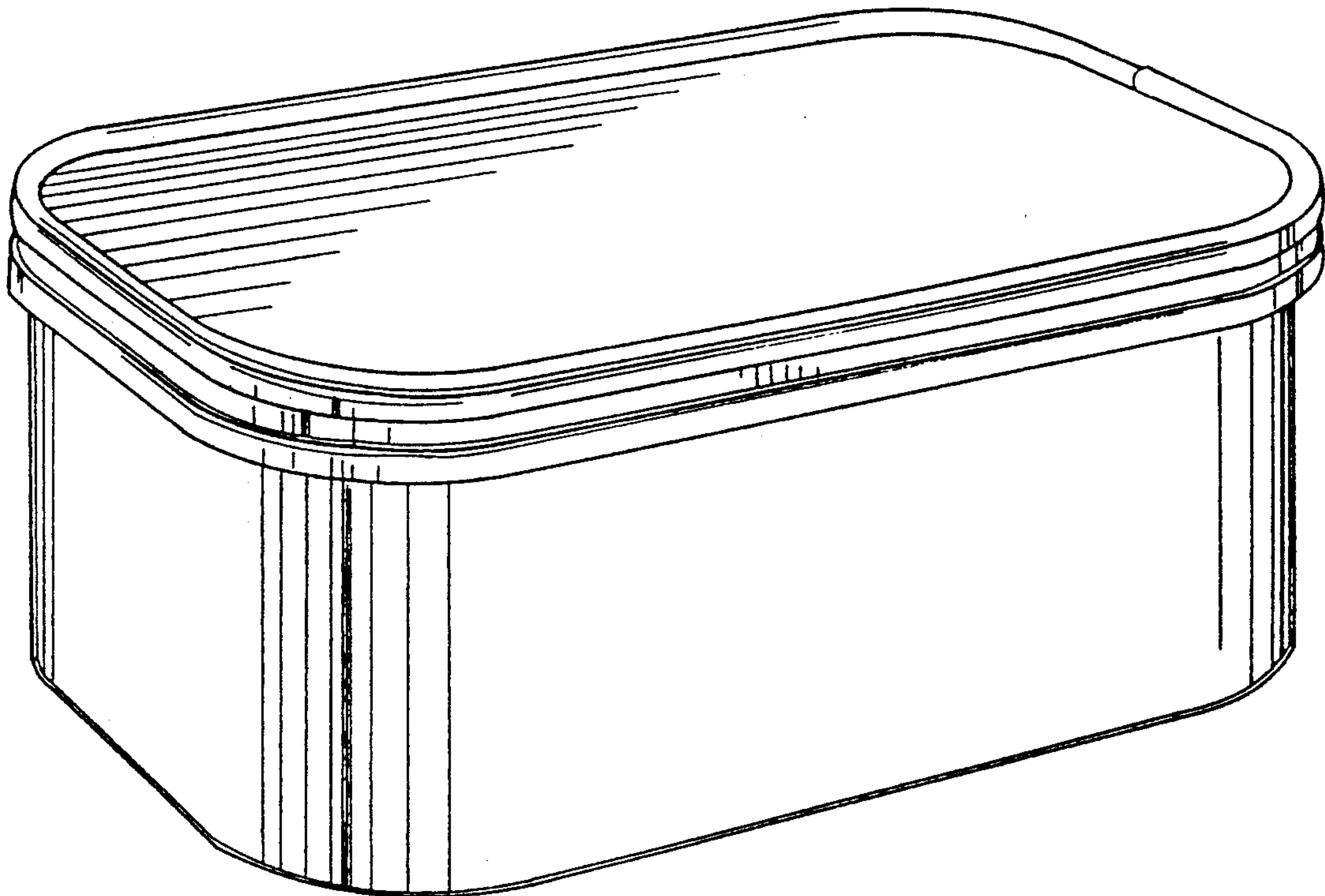
The ornamental design for a non-round ice cream container, as shown and described.

[21] Appl. No.: **626,879**

### DESCRIPTION

[22] Filed: **Dec. 13, 1990**  
[52] U.S. Cl. .... **D7/629; D9/425**  
[58] Field of Search ..... **D7/629; D9/425, 431,**  
**D9/432; 220/306, 353, 355, 266**

FIG. 1 is a top, front, right side perspective view of a non-round ice cream container showing our new design;  
FIG. 2 is a left side elevational view thereof;  
FIG. 3 is a rear elevational view thereof;  
FIG. 4 is a top plan view thereof; and,  
FIG. 5 is a bottom plan view thereof.



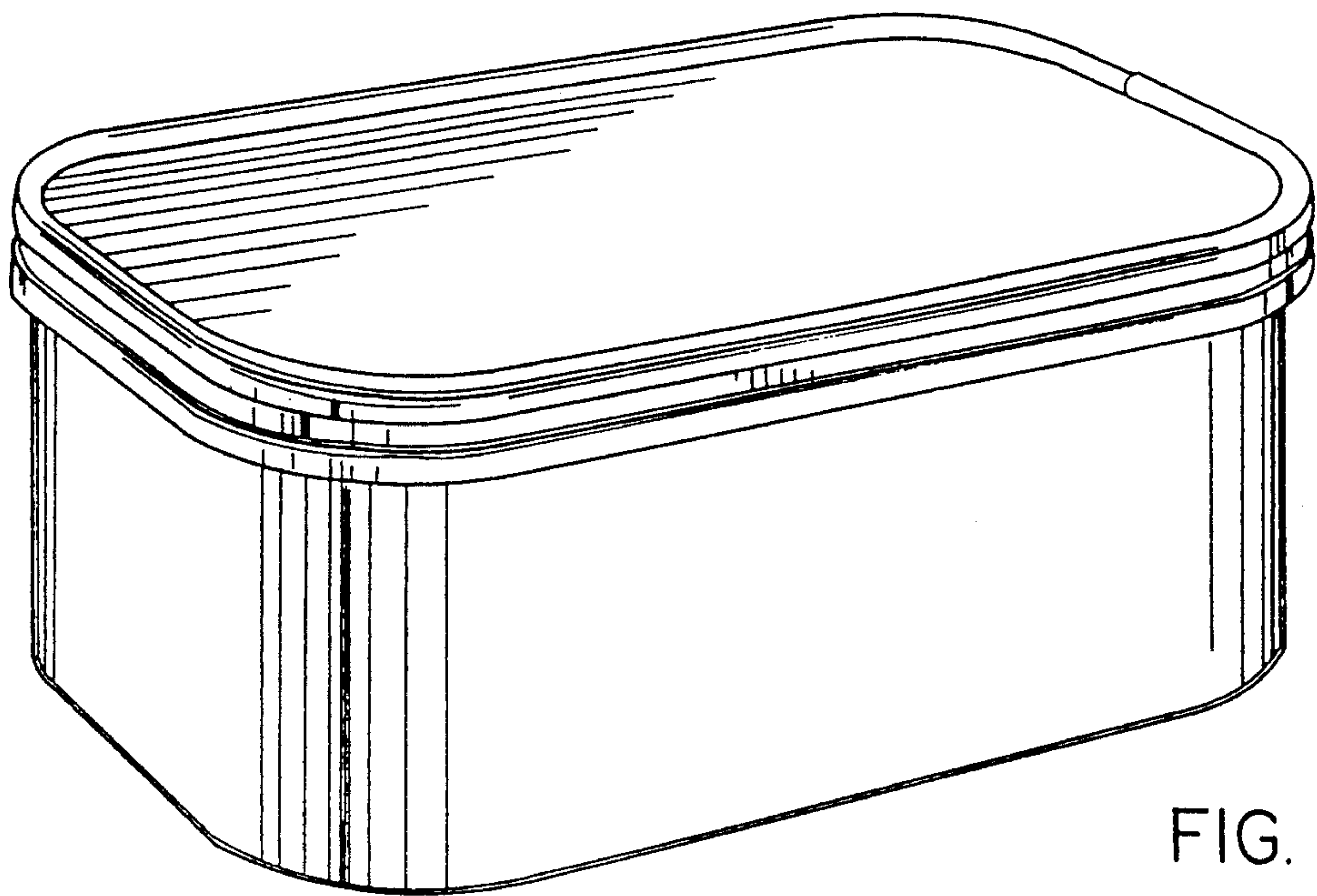


FIG. 1

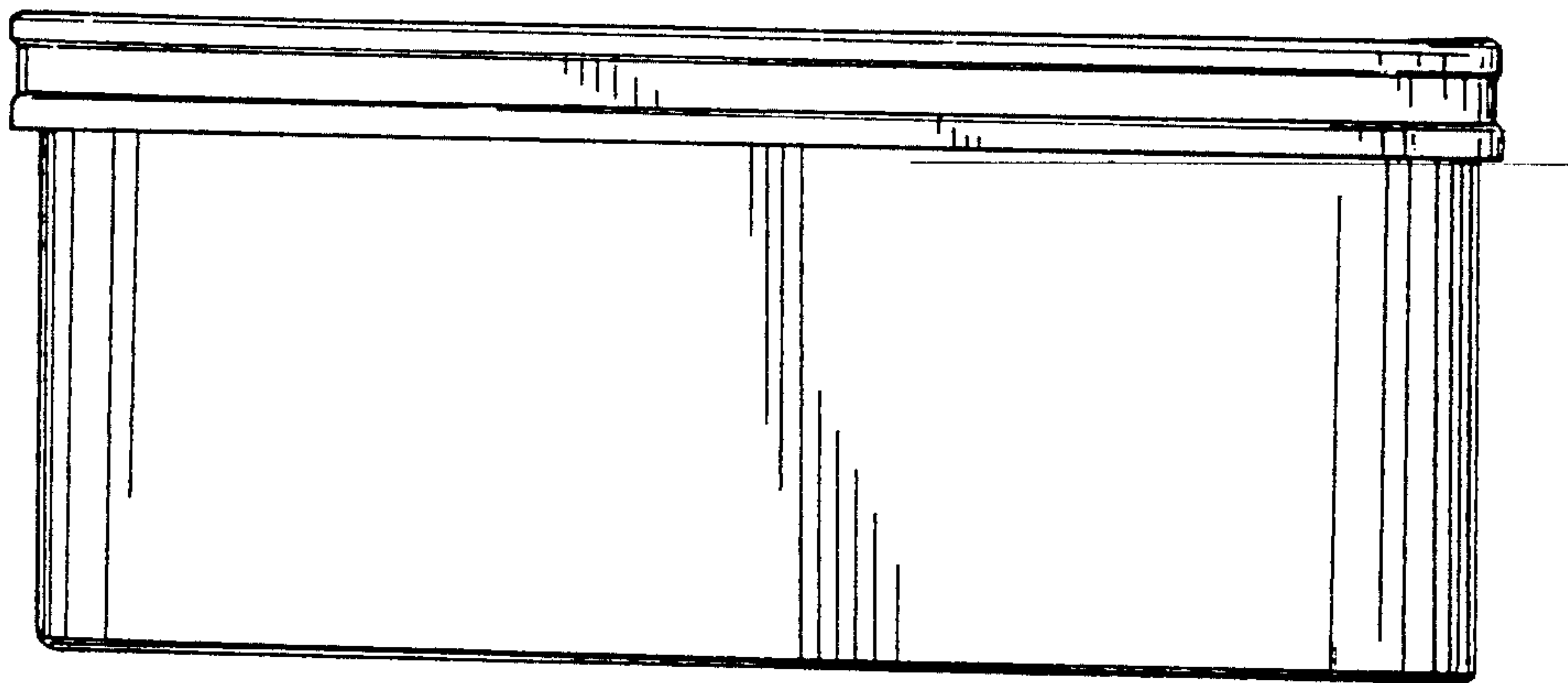


FIG. 2

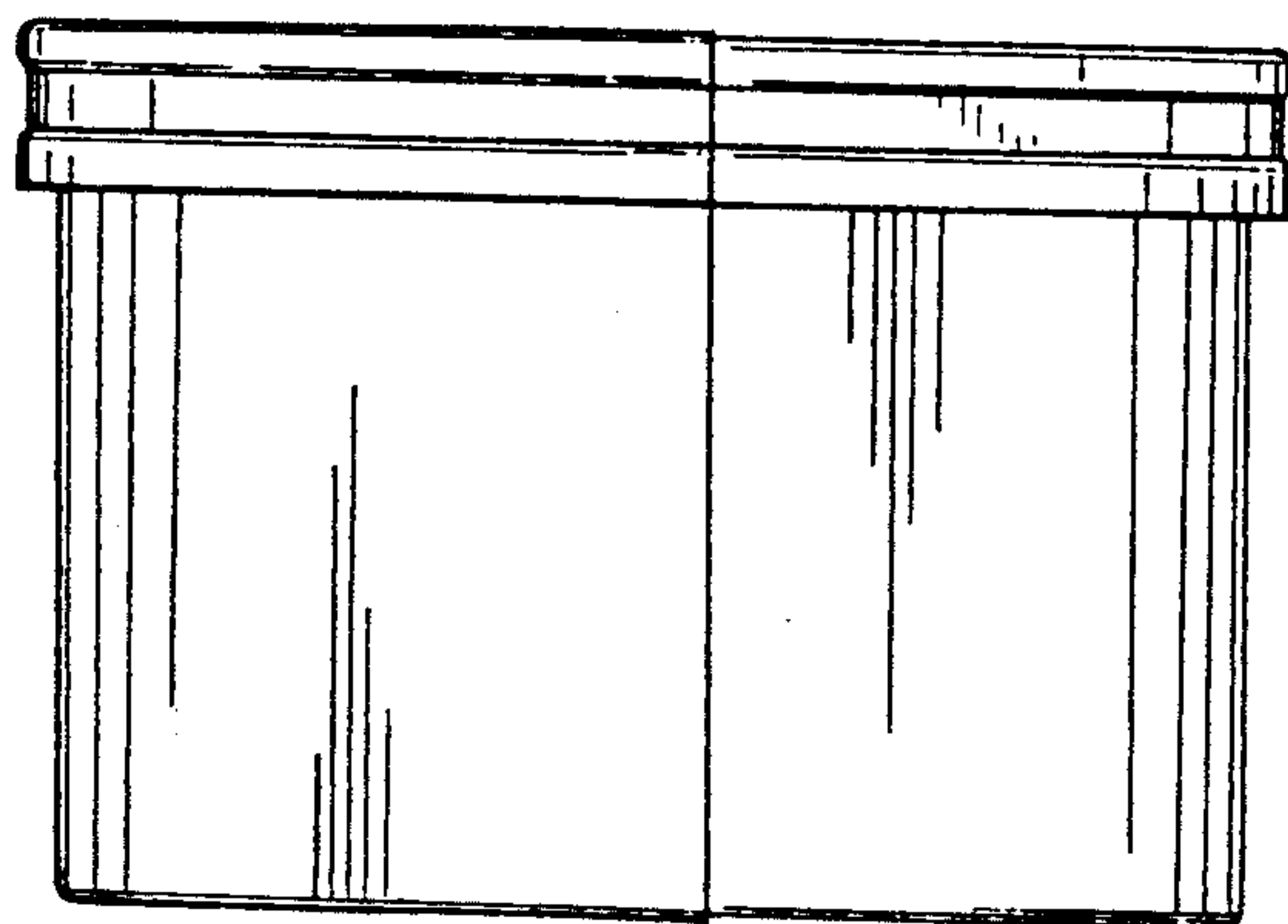


FIG. 3

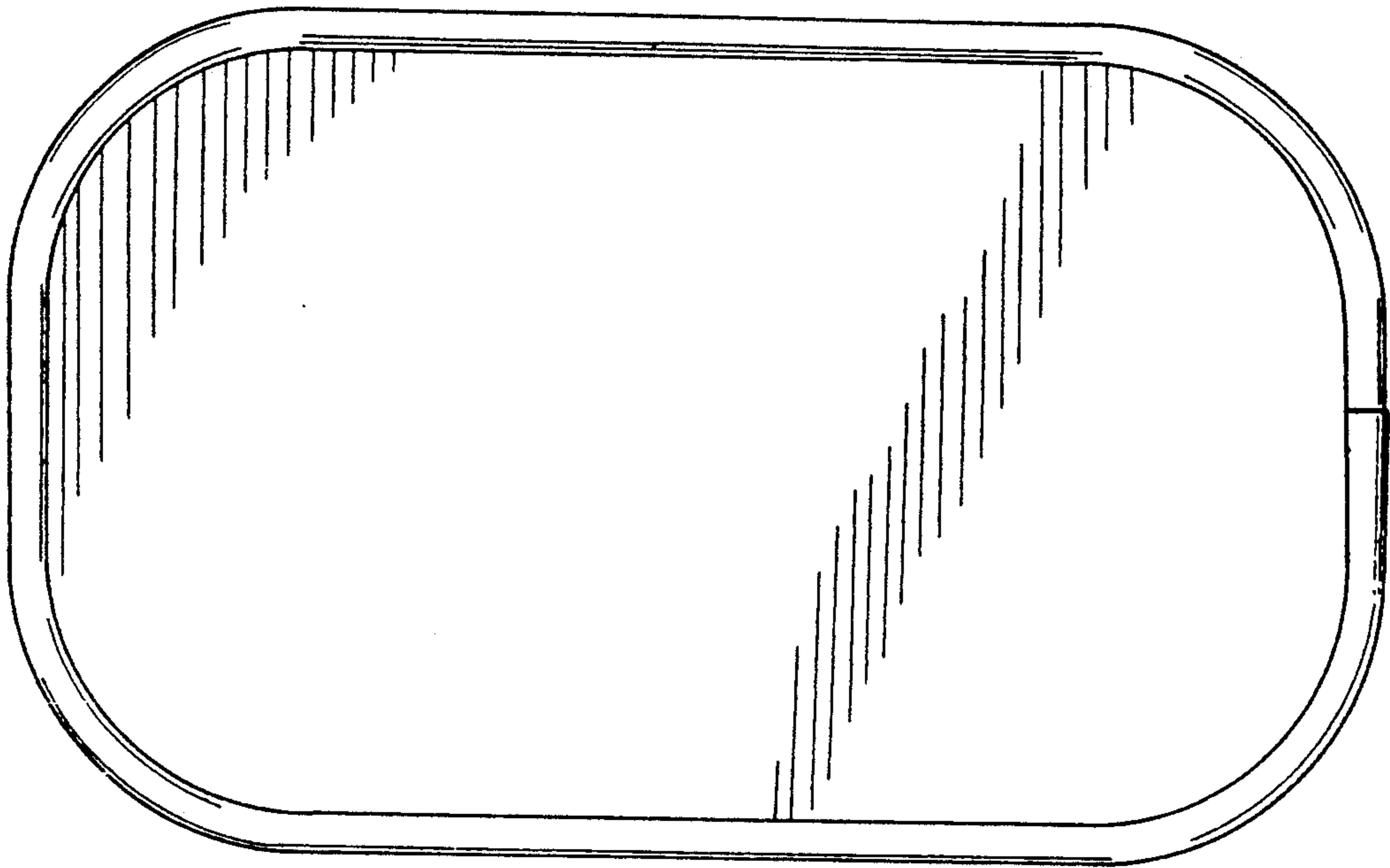


FIG. 4

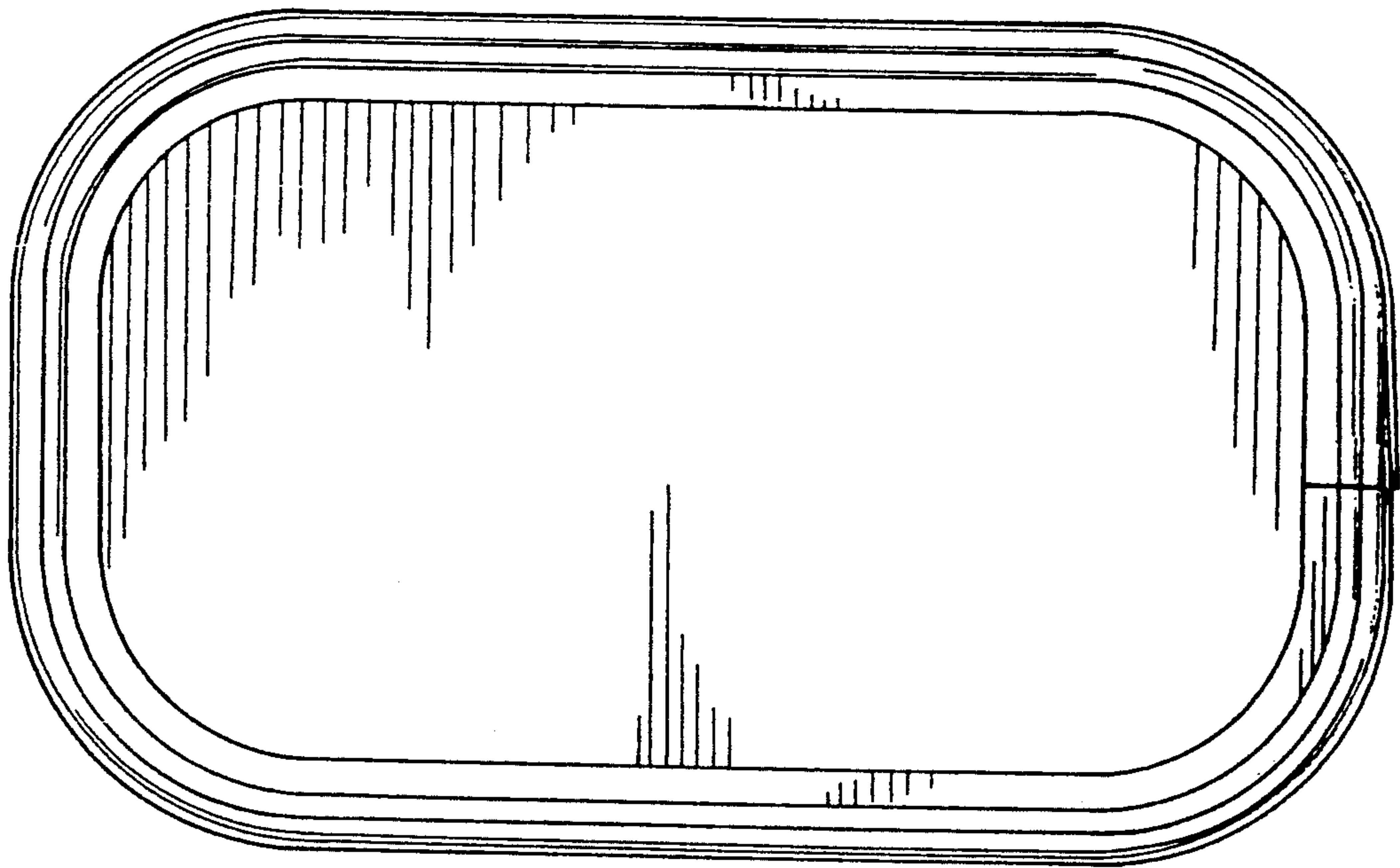


FIG. 5