



US00D330995S

# United States Patent [19]

[11] Patent Number: Des. 330,995

Hartman et al.

[45] Date of Patent: \*\* Nov. 17, 1992

[54] DRINK HOLDER

[56]

### References Cited

#### U.S. PATENT DOCUMENTS

[75] Inventors: Jerome Hartman, Carlisle; John Schenken; Charles A. Haas, both of Des Moines; Herbert O. Dixon, Jr., West Des Moines, all of Iowa

D. 281,755	12/1985	Bradley .	
D. 303,199	9/1989	Parsons .....	D7/624
3,028,702	4/1962	St. Cyr .....	45/68.4
3,312,436	4/1967	Beghetto .....	248/148
3,317,069	5/1967	Chin .....	215/100.5 X
5,044,515	9/1991	Straub .....	D7/619 X
5,054,733	10/1991	Shields .....	248/310 X

[73] Assignee: Cobbs Manufacturing Company, Des Moines, Iowa

Primary Examiner—Terry A. Pfeffer  
Attorney, Agent, or Firm—Dick and Harris

[\*\*] Term: 14 Years

### [57] CLAIM

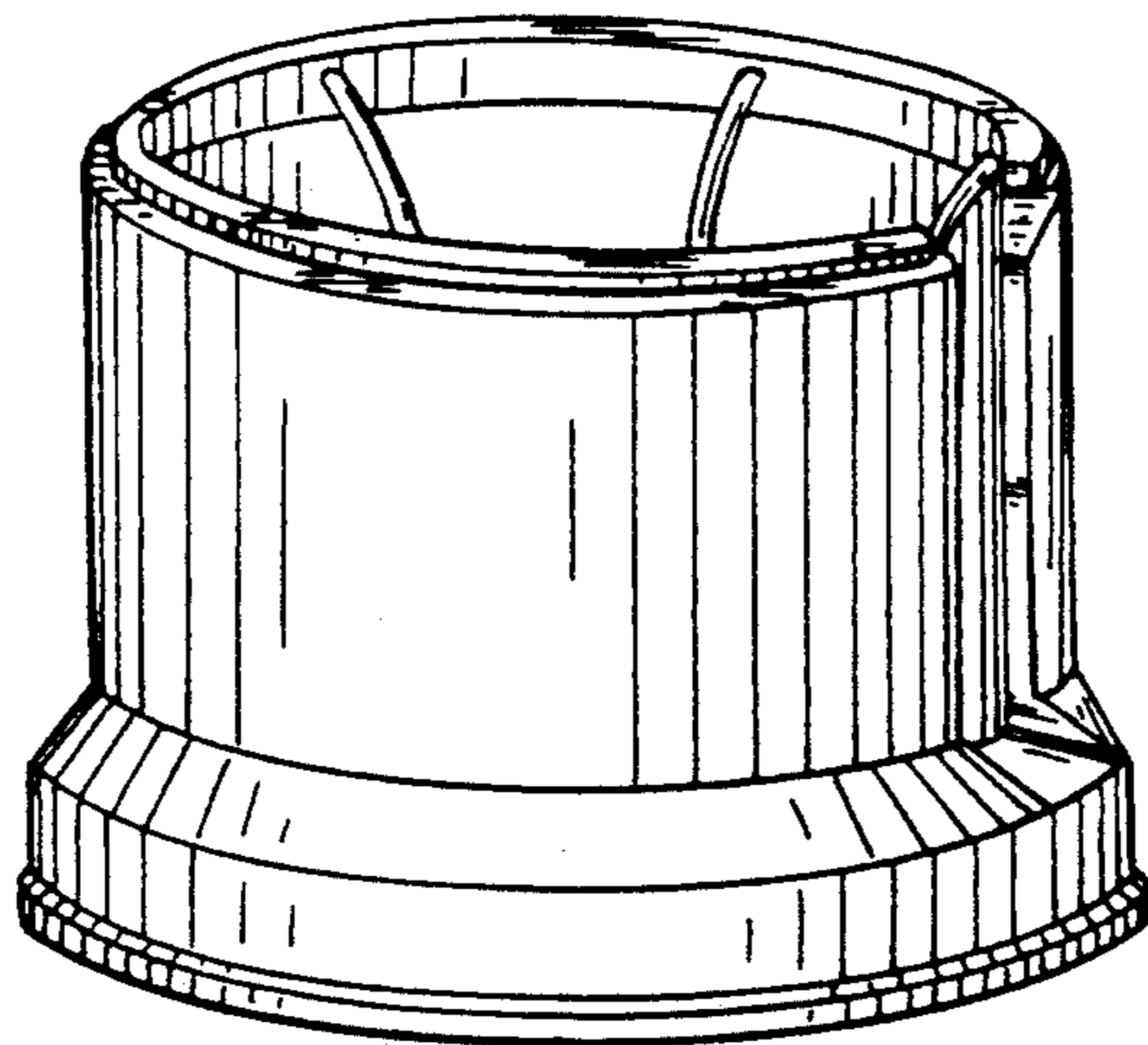
The ornamental design for a drink holder, as shown.

[21] Appl. No.: 647,725

### DESCRIPTION

[22] Filed: Jan. 29, 1991  
[52] U.S. Cl. .... D7/619  
[58] Field of Search ..... D7/616-625;  
D9/455; 108/44-46; 215/100.5; 220/737-738;  
224/273; 211/71, 74; 248/311.2, 313, 314, 154,  
346.1

FIG. 1 is a front elevational view of the drink holder showing our new design;  
FIG. 2 is a right side elevational view thereof;  
FIG. 3 is a left side elevational view thereof;  
FIG. 4 is a top plan view thereof;  
FIG. 5 is a rear elevational view thereof;  
FIG. 6 is a bottom plan view thereof; and,  
FIG. 7 is a perspective view thereof.



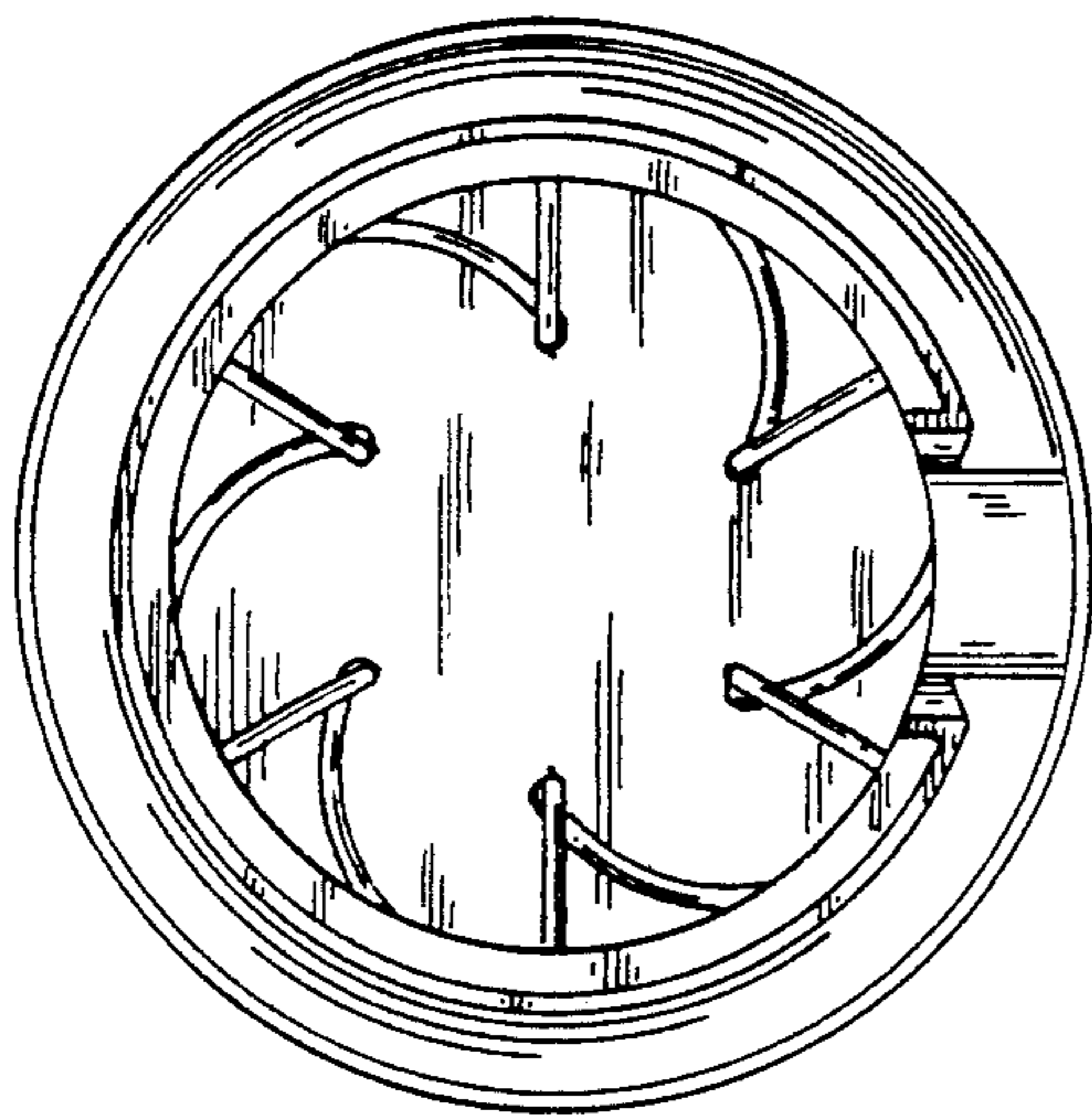


FIG. 4

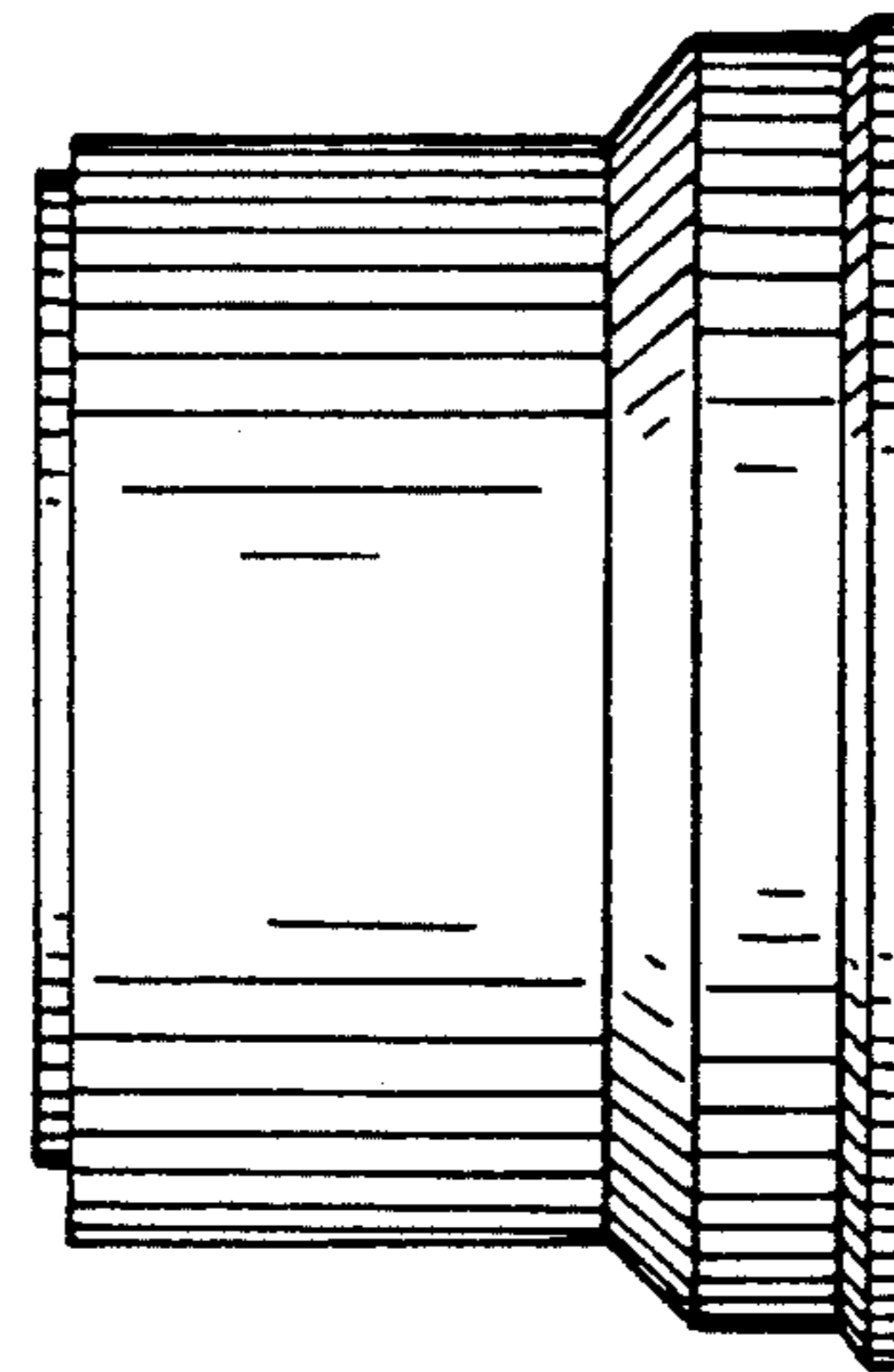


FIG. 2

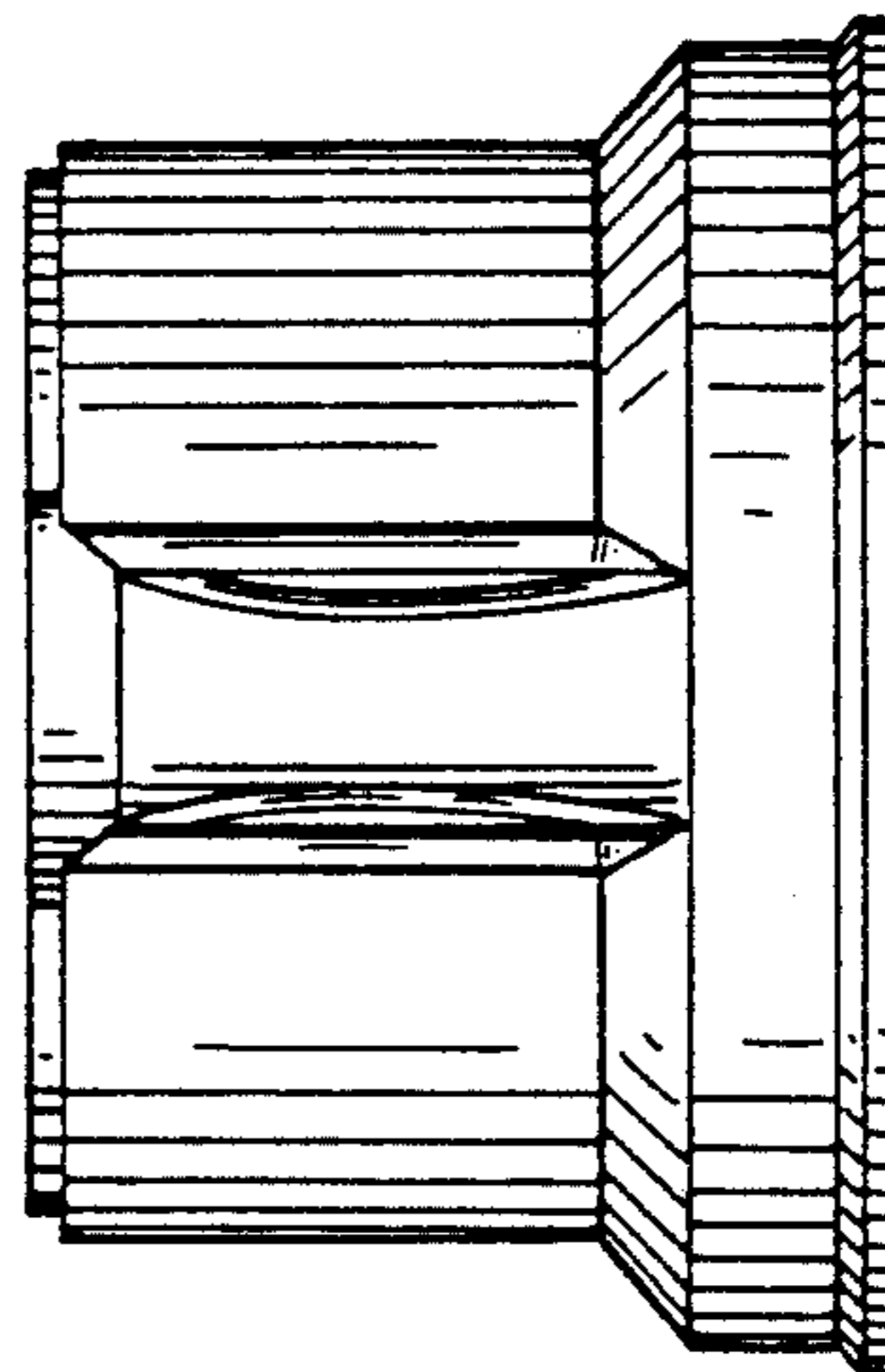


FIG. 1

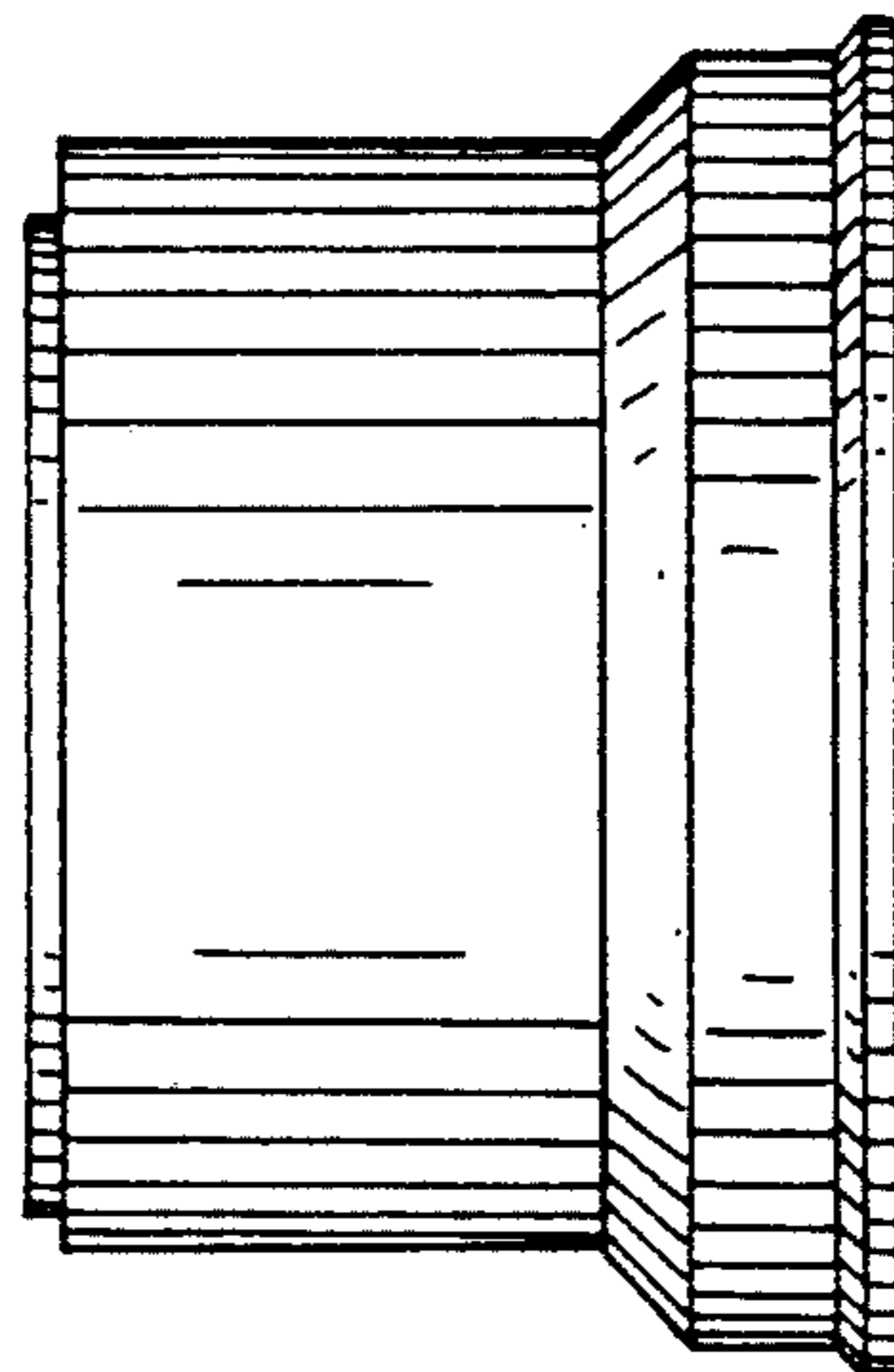


FIG. 3

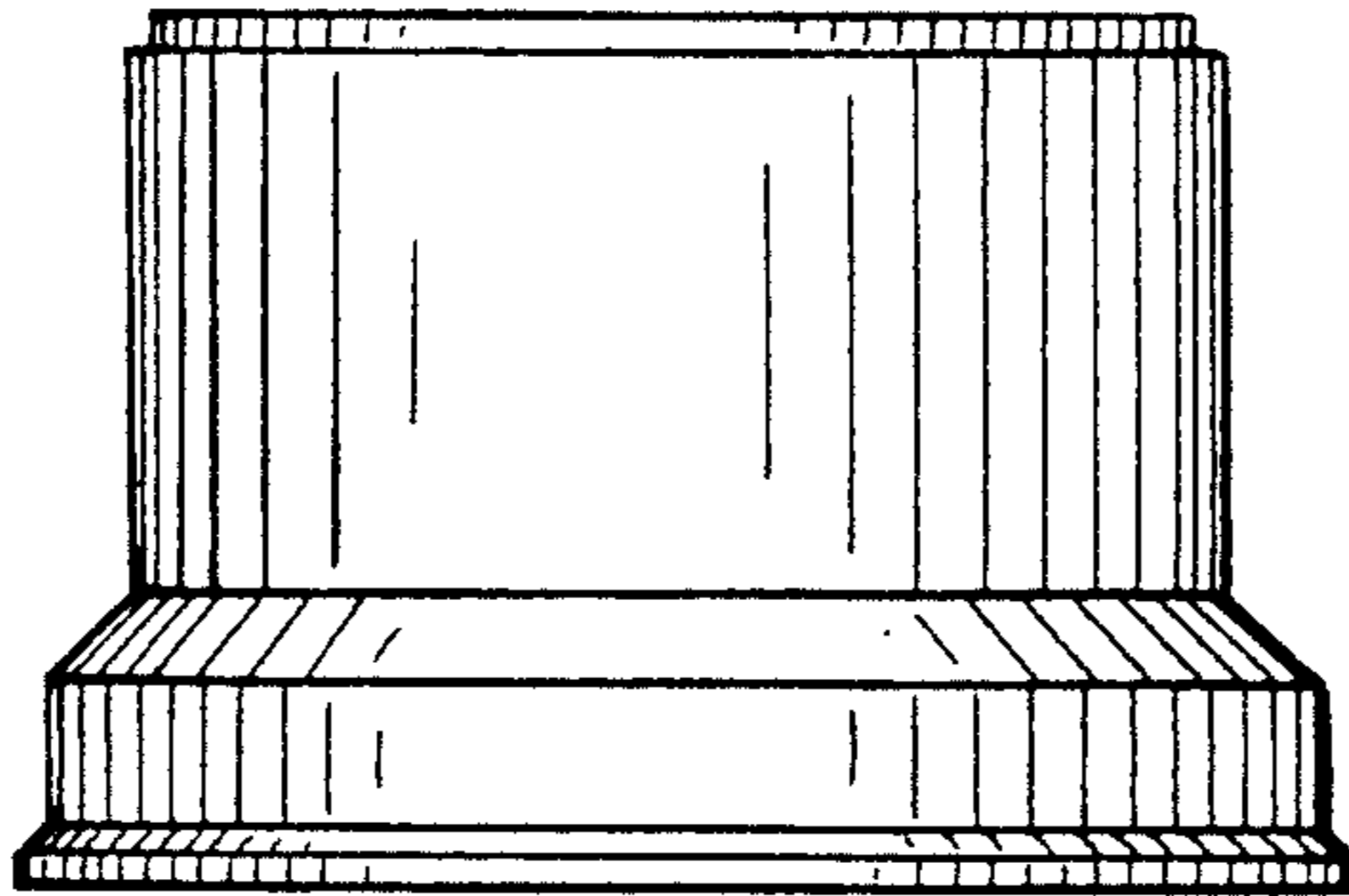


FIG. 5

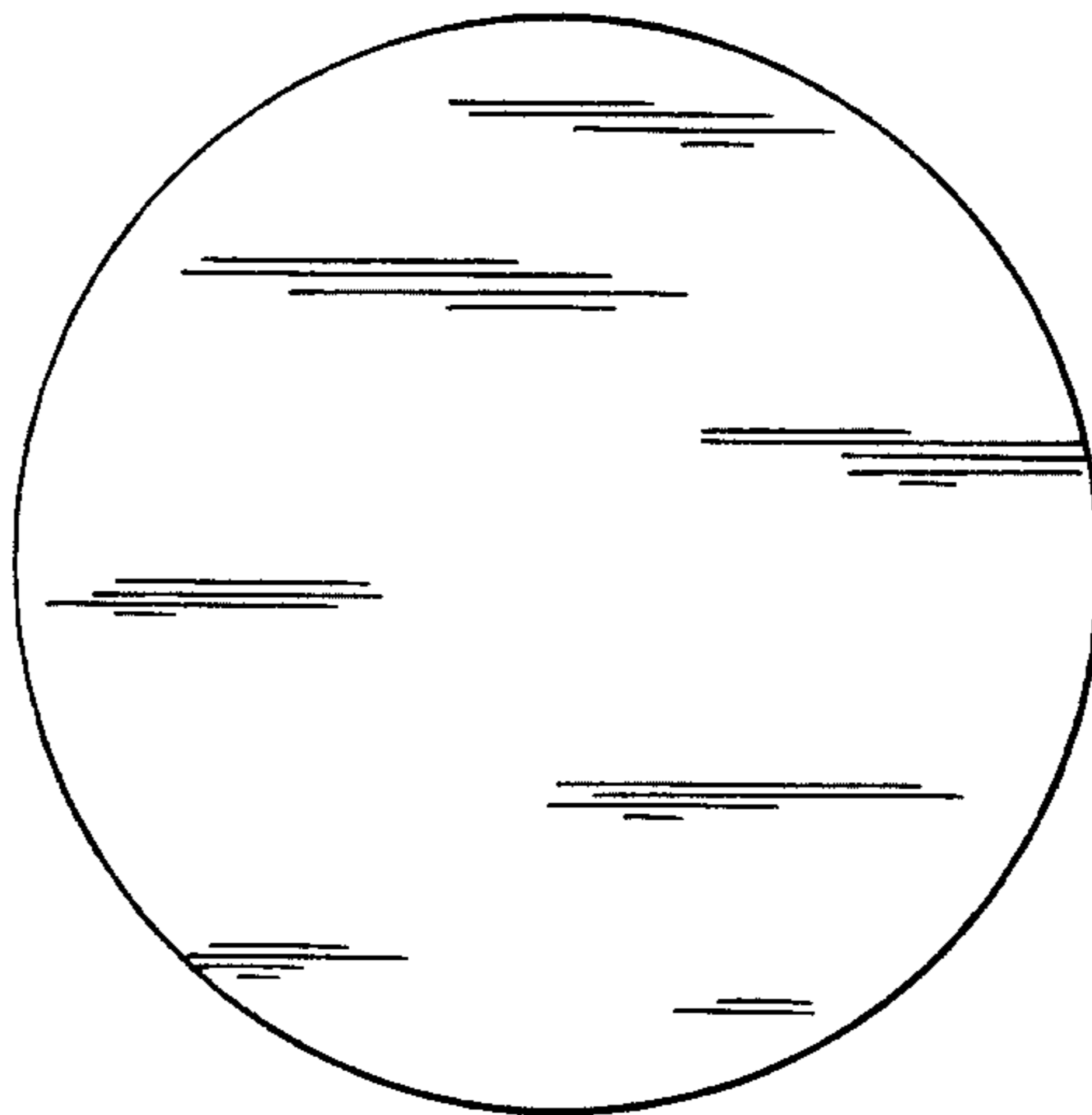


FIG. 6

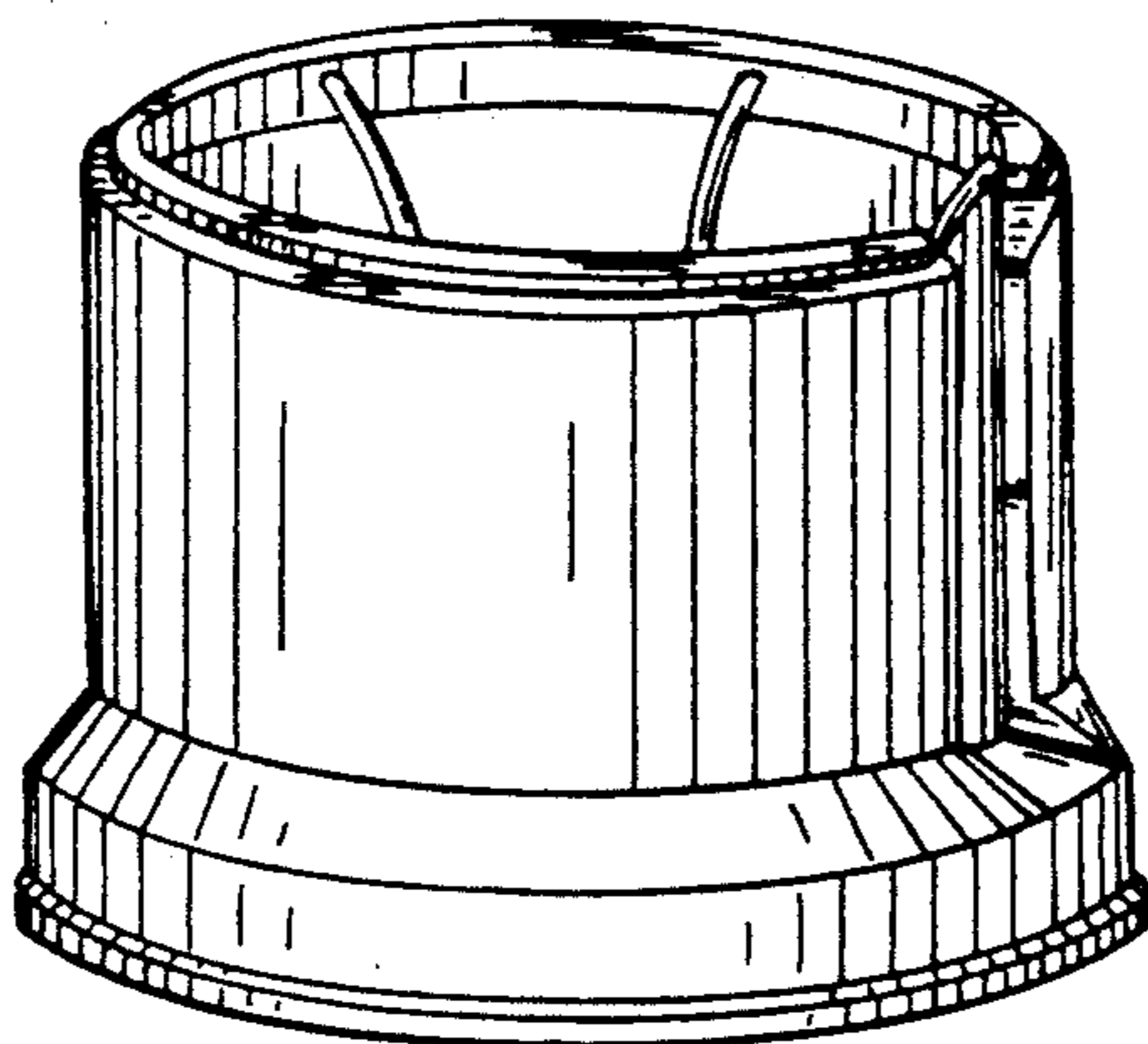


FIG. 7