



US00D330993S

United States Patent [19]

[11] Patent Number: **Des. 330,993**

Robbins, III

[45] Date of Patent: **** Nov. 17, 1992**

[54] **COLLAPSIBLE SPORTS BOTTLE**

[76] Inventor: **Edward S. Robbins, III**, 459 N. Court, Florence, Ala. 35631

[**] Term: **14 Years**

[21] Appl. No.: **603,182**

[22] Filed: **Oct. 24, 1990**

[52] U.S. Cl. **D7/510; D7/511; D7/512**

[58] Field of Search **D7/510, 608, 396.2, D7/511, 391, 306, 512, 300.2, 635; 220/705, 714, 709, 713, 707, 367, 23.85; 215/11.1, 11.6, 11.5, 1 A, 227; 222/215, 211, 209, 537, 107, 207; D9/301, 396, 337, 454; 224/148; D24/177; 210/474**

3,213,913	10/1965	Petriello	150/5
3,220,544	11/1965	Lovell	206/46
3,229,014	1/1966	Petriello	264/250
3,494,509	2/1970	McGuire	222/107
3,512,301	5/1970	Kramer	215/11.6 X
3,592,360	7/1971	Aleck	222/95
3,618,829	11/1971	Elmore	222/209
3,864,771	2/1975	Bauer	9/8 R
3,875,941	4/1975	Adair	128/278
3,884,228	5/1975	Hahn	128/214
4,087,024	5/1978	Martin et al.	222/211
4,428,507	1/1984	Sneider	222/105
4,592,492	6/1986	Tidmore	222/209
4,713,842	12/1987	Patterson	224/148 X
4,759,453	7/1988	Paetzold	215/11.6 X
4,773,458	9/1988	Touzani	150/55
4,775,564	10/1988	Shriver et al.	215/1 A X
4,846,376	7/1989	Palmer	222/190

[56] **References Cited**

U.S. PATENT DOCUMENTS

D. 211,226	5/1968	Nardone	D7/300.2
D. 236,413	8/1975	Achenbach	D9/396 X
D. 303,601	9/1989	Silveira	D7/300.2 X
D. 318,227	7/1991	Halm	D9/396 X
D. 318,800	9/1991	Serkes et al.	D9/396
D. 321,457	11/1991	Kahl	D7/510
D. 321,626	11/1991	Kouts	D9/337 X
549,394	11/1895	Presnell	215/11.6
2,094,268	9/1937	Friedman	D7/300.2 X
2,281,651	5/1942	Wolcott	222/209
2,685,319	8/1954	Swasko	215/11.6 X
2,688,467	9/1954	Leatzow	D24/197 X
2,780,378	2/1957	Ramano	D24/197 X
2,784,882	3/1957	Du Bois	222/215
2,880,902	4/1959	Owsen	220/8
3,058,627	10/1962	Eskridge	222/210
3,083,877	4/1963	Gash	222/107
3,143,429	8/1964	Swanson et al.	D9/301 X
3,156,383	11/1964	Melli	222/83

OTHER PUBLICATIONS

Container w/ Straw in HFD Supplement to Retailing Home Furnishings.

Primary Examiner—Carmen H. Vales-Lado
Assistant Examiner—M. N. Pandozzi
Attorney, Agent, or Firm—Nixon & Vanderhye

[57] **CLAIM**

The ornamental design for a collapsible sports bottle, as shown and described.

DESCRIPTION

FIG. 1 is a perspective view of a collapsible sports bottle showing my new design;
FIG. 2 is a top plan view thereof;
FIG. 3 is a front elevational view thereof;
FIG. 4 is a left side elevational view, the right side being a mirror image thereof;
FIG. 5 is a rear elevational view thereof; and,
FIG. 6 is a bottom plan view thereof.

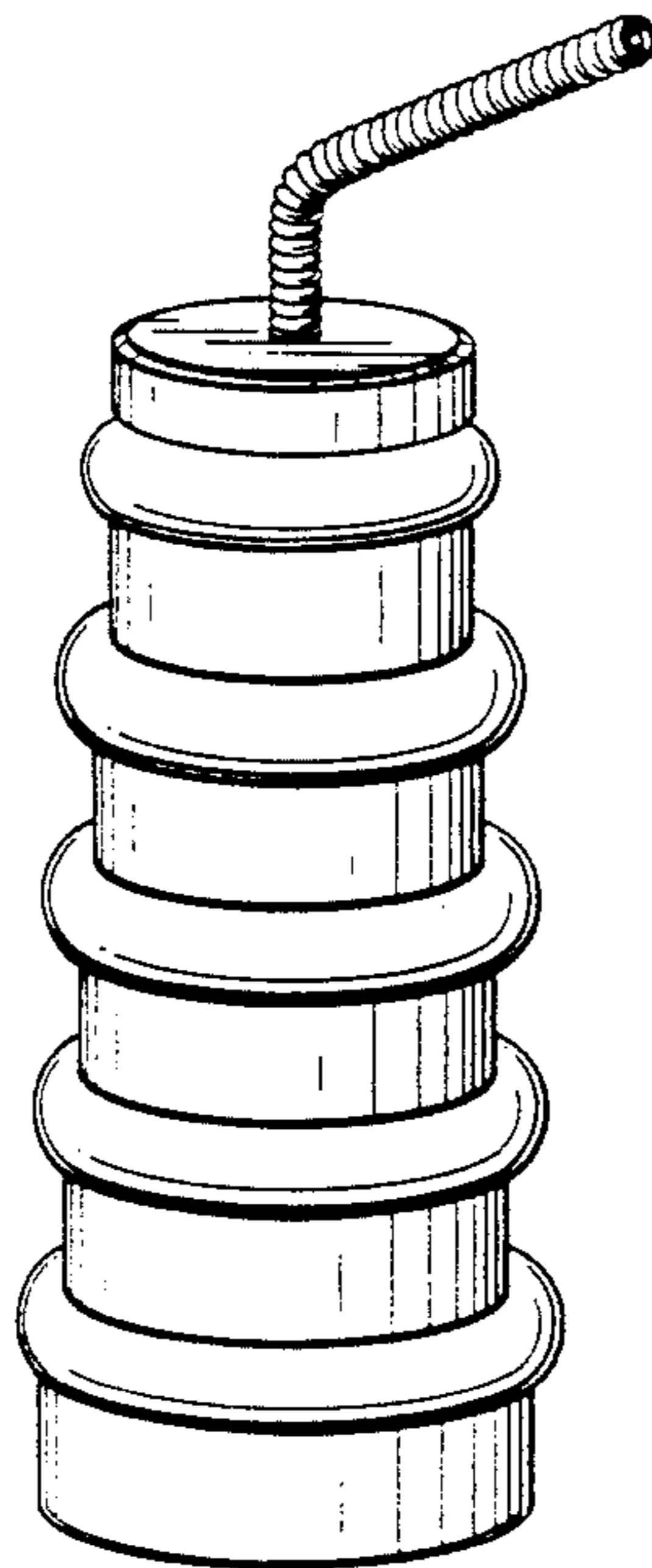


FIG. 1

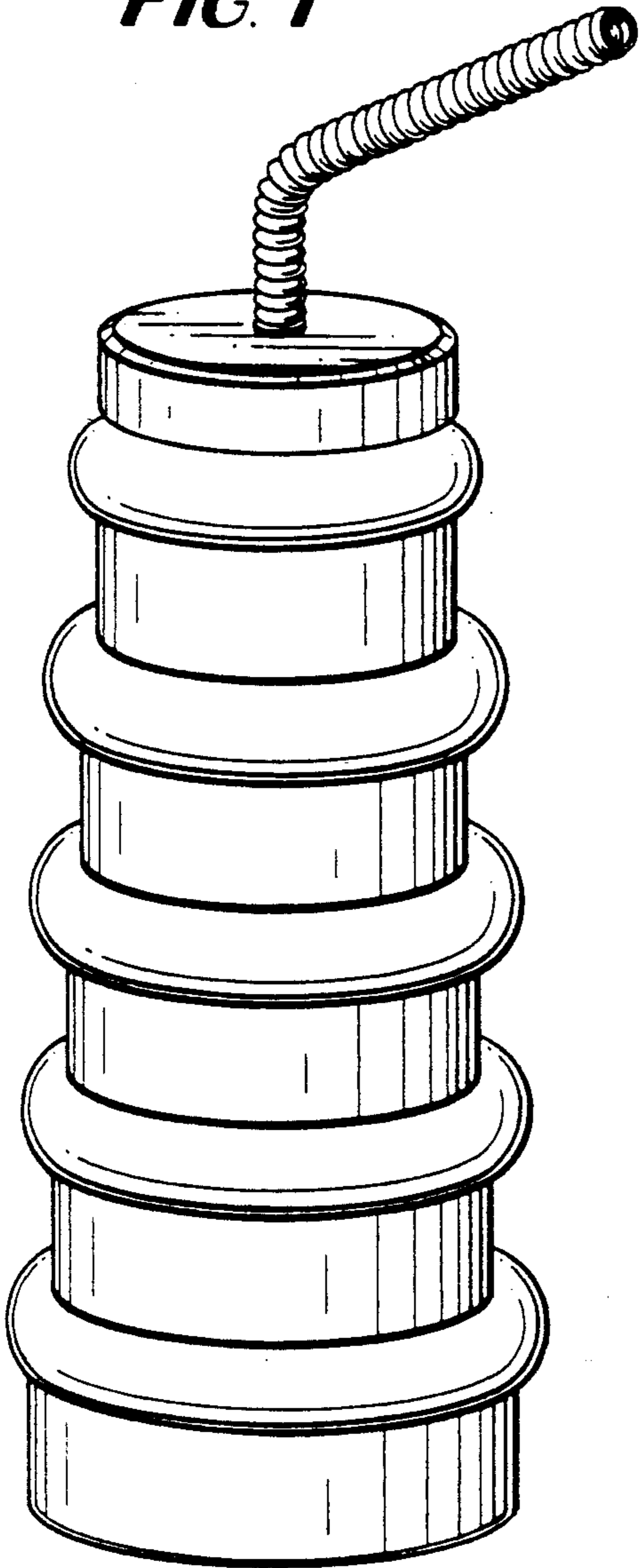


FIG. 2

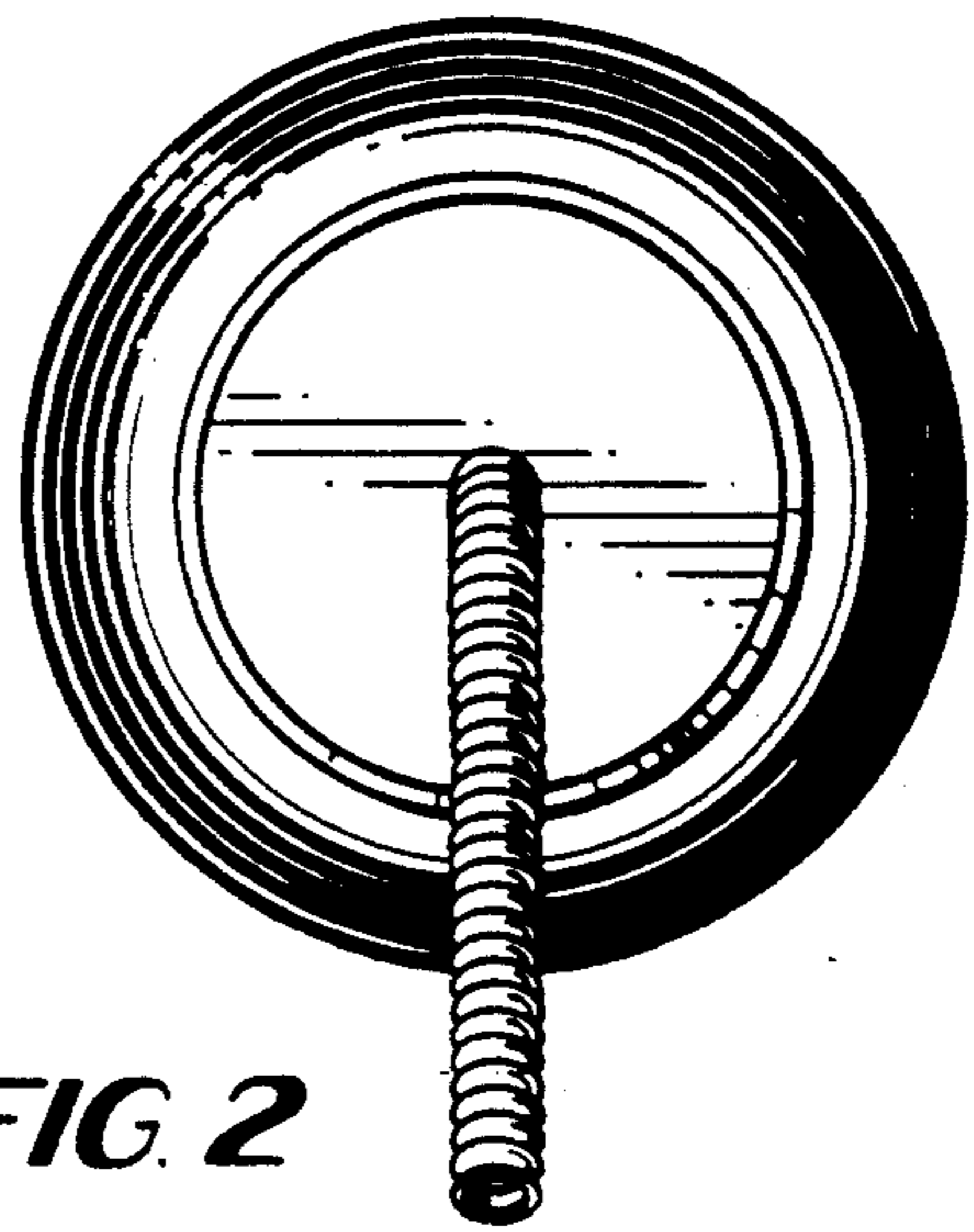


FIG. 3

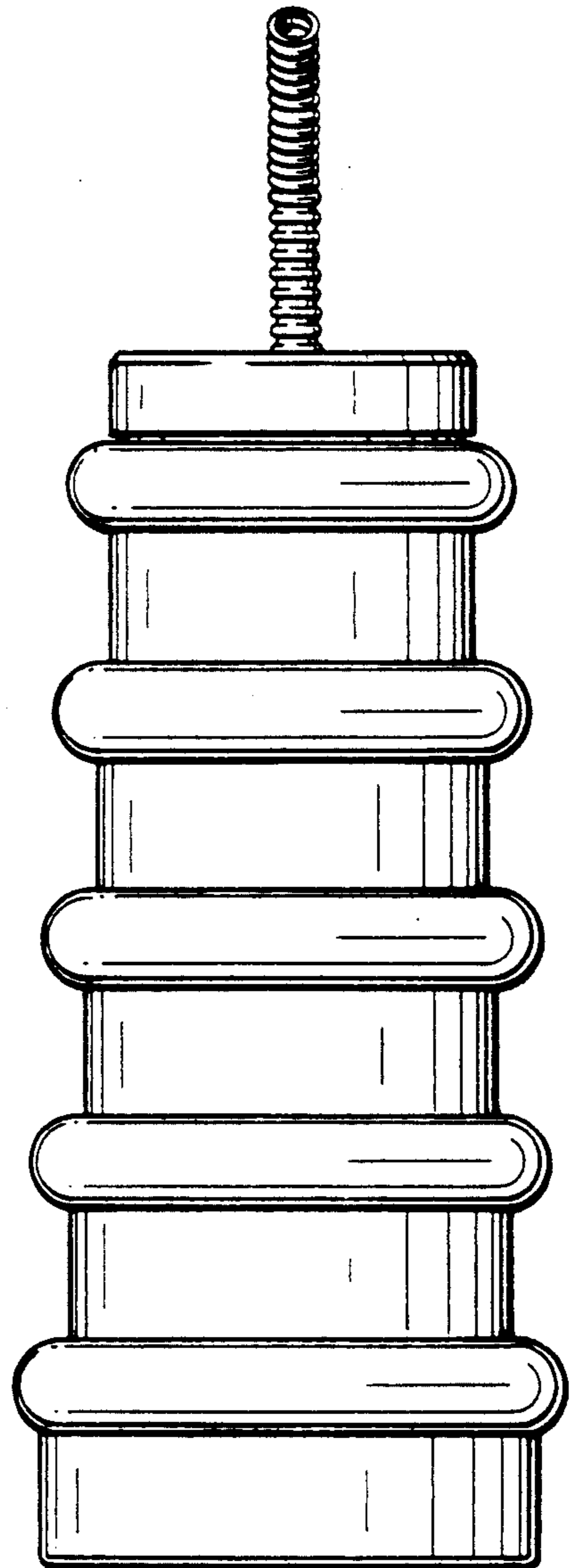


FIG. 4

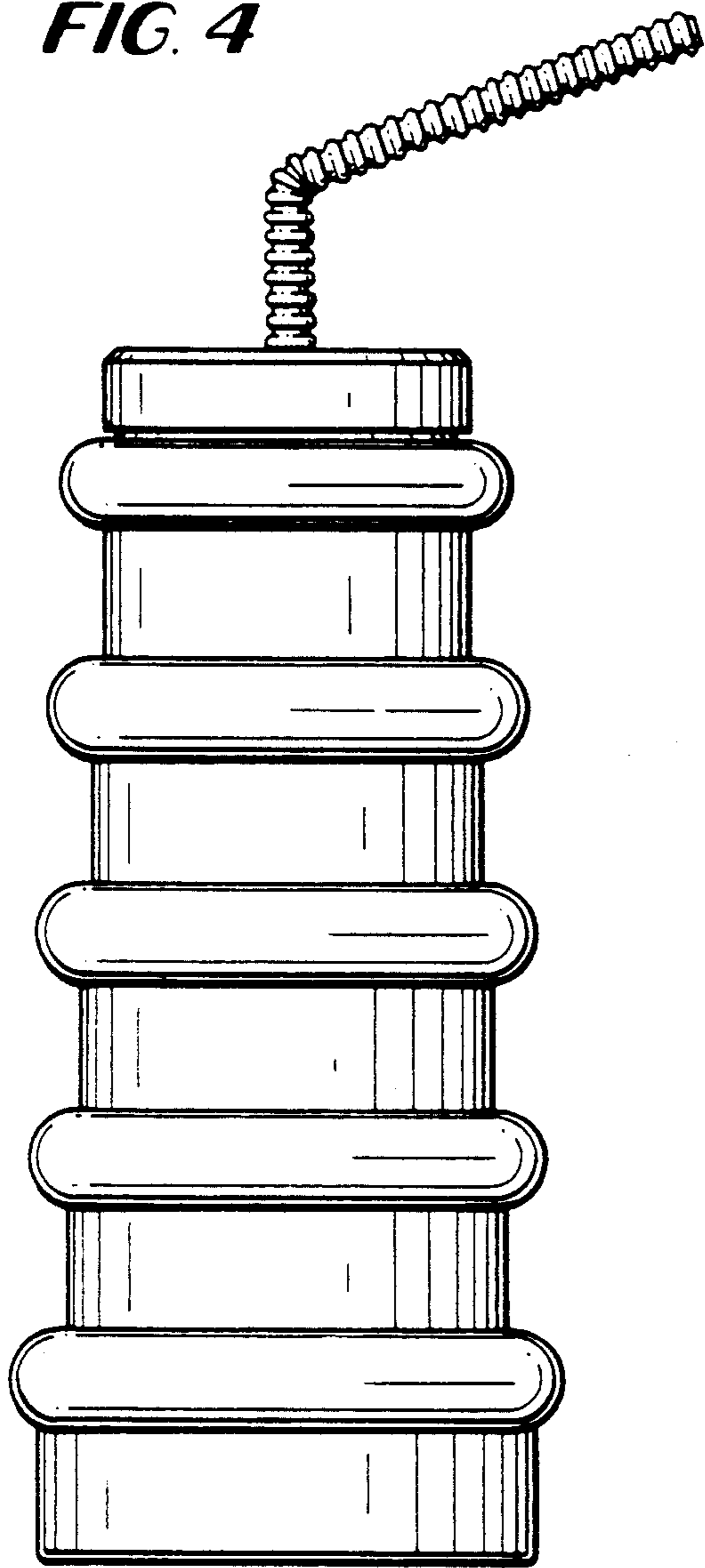


FIG. 5

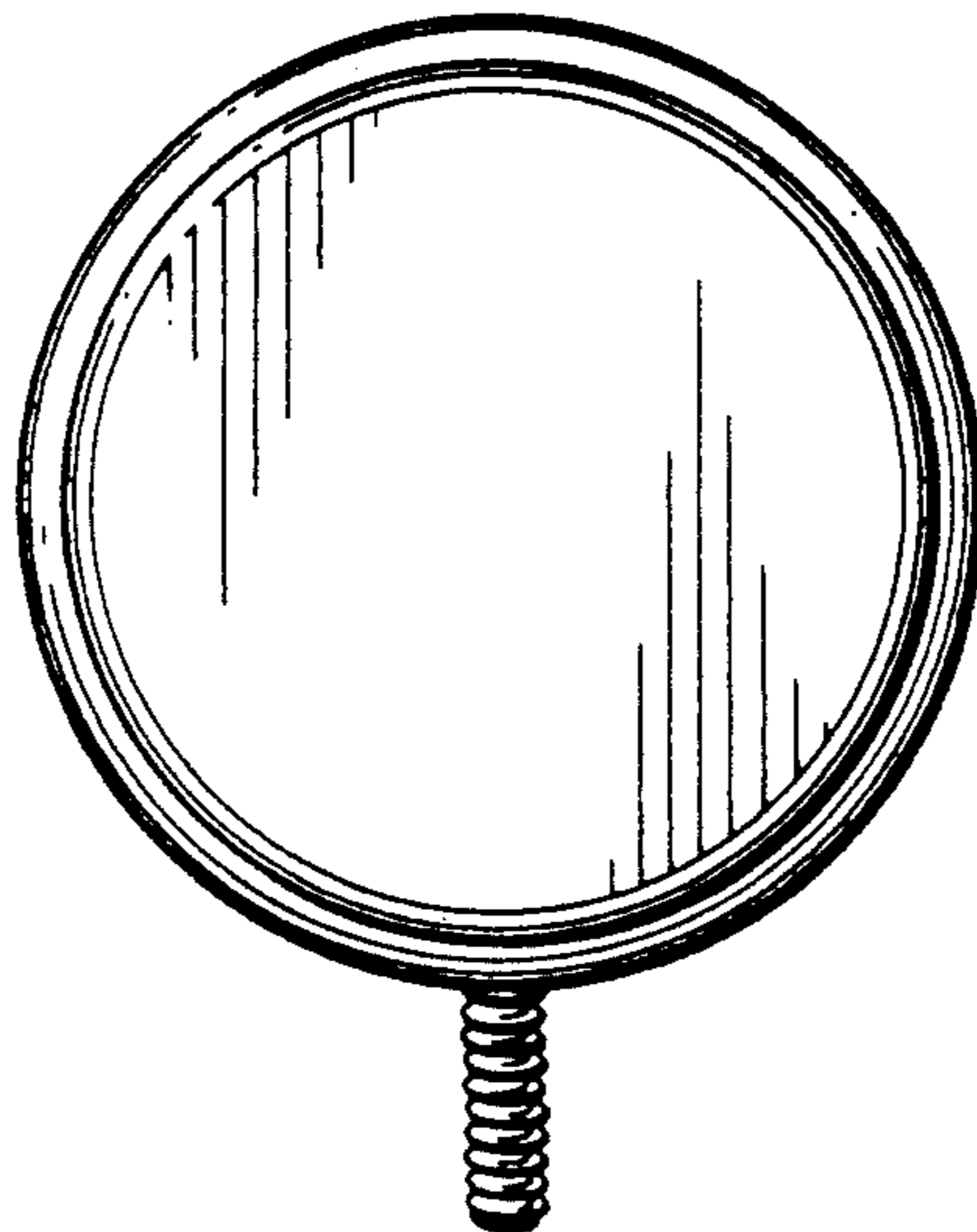
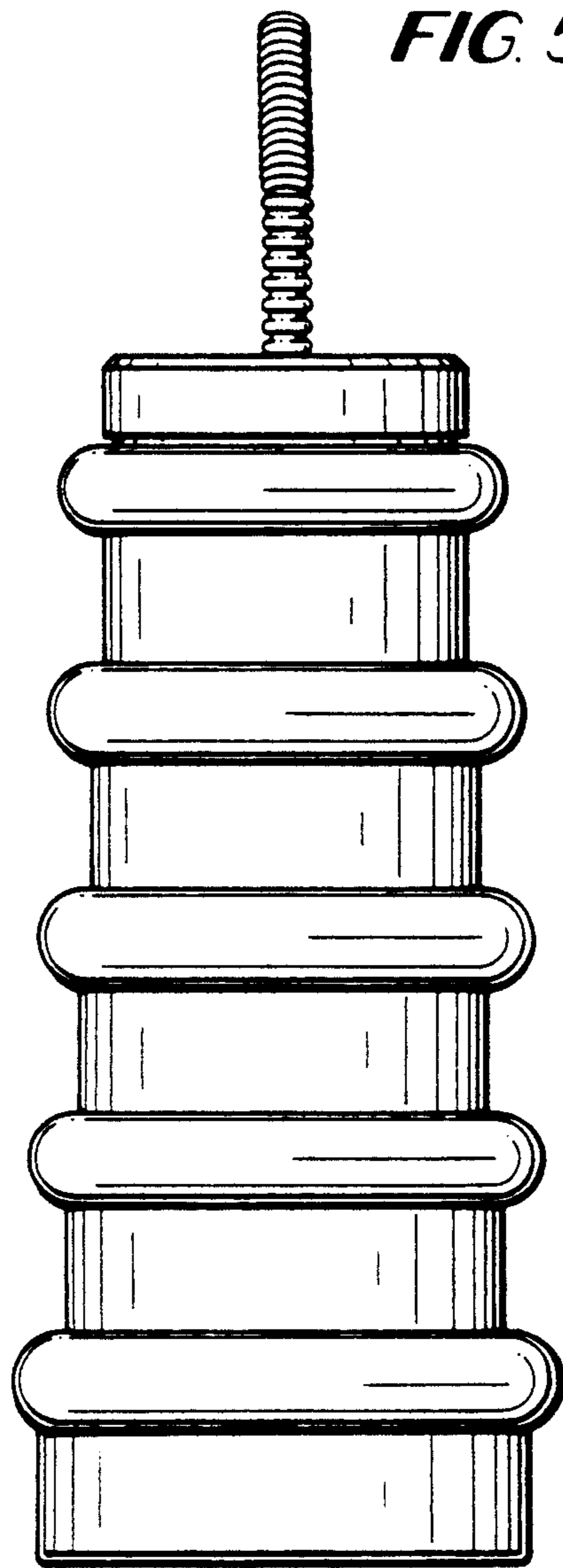


FIG. 6