



US00D330988S

United States Patent [19]

[11] Patent Number: **Des. 330,988**

Robbins, III

[45] Date of Patent: **** Nov. 17, 1992**

[54] **PROTECTIVE FLOOR MAT FOR USE WITH A CHAIR**

D. 221,400 8/1971 O'Donnell D6/583

[76] Inventor: **Edward S. Robbins, III**, 459 North Ct., Florence, Ala. 35630

OTHER PUBLICATIONS

Highsmith catalog, p. 30, Gripper Chair Mat, lower left.

[**] Term: **14 Years**

Primary Examiner—Nelson C. Holtje

Assistant Examiner—Janice E. Seeger

Attorney, Agent, or Firm—Nixon & Vanderhye

[21] Appl. No.: **415,536**

[57] CLAIM

[22] Filed: **Oct. 2, 1989**

The ornamental design for a protective floor mat for use with a chair, as shown and described.

[52] U.S. Cl. **D6/582; D6/592**

[58] Field of Search **D6/582, 583, 585-588, D6/592, 596; 15/215, 216; 5/420**

DESCRIPTION

[56] References Cited

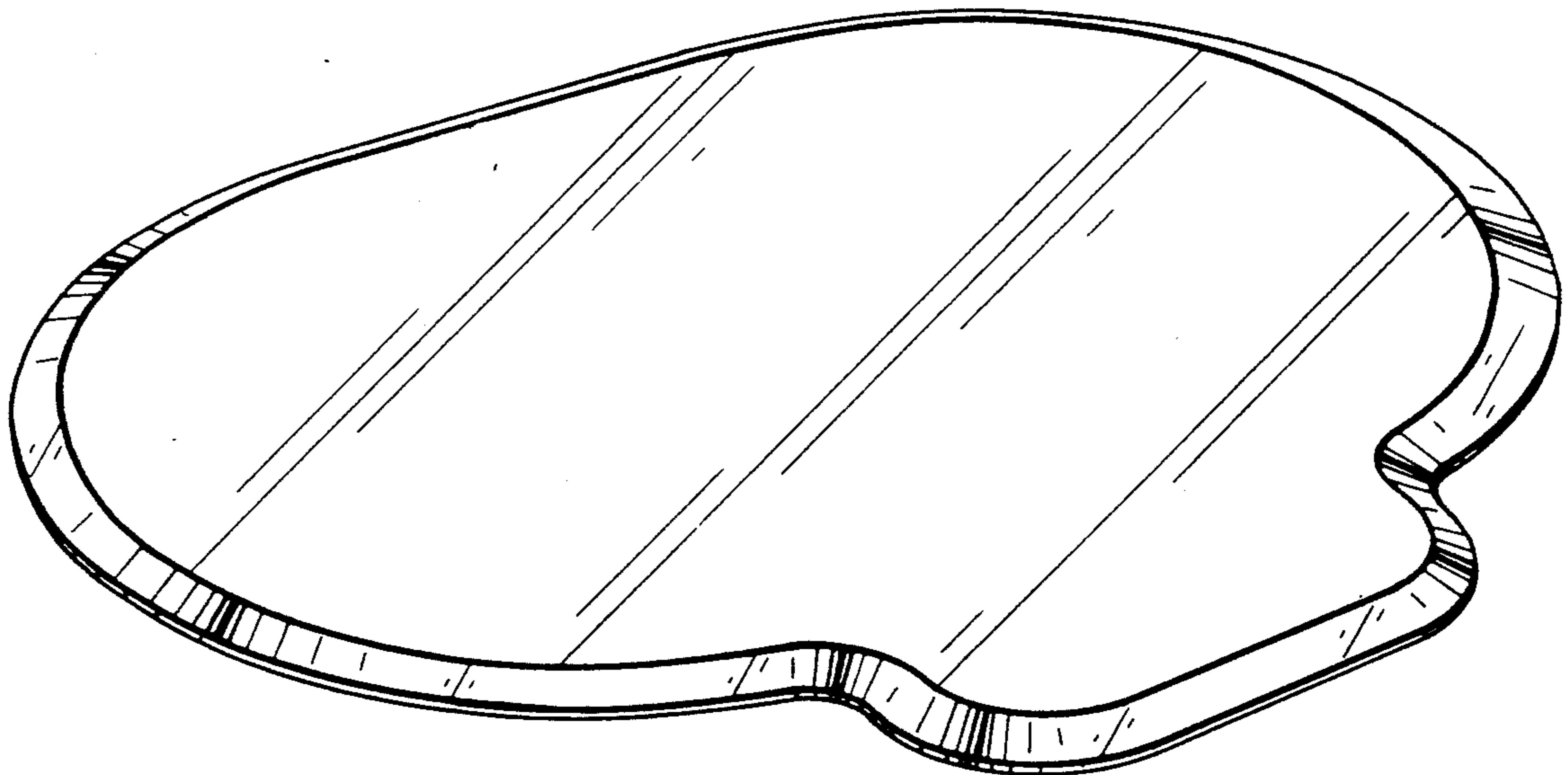
FIG. 1 is a top plan view of a protective floor mat for use with a chair, showing my new design;

FIG. 2 is a bottom plan view; and,

FIG. 3 is a perspective view thereof.

U.S. PATENT DOCUMENTS

D. 203,962 3/1966 Taylor D6/592



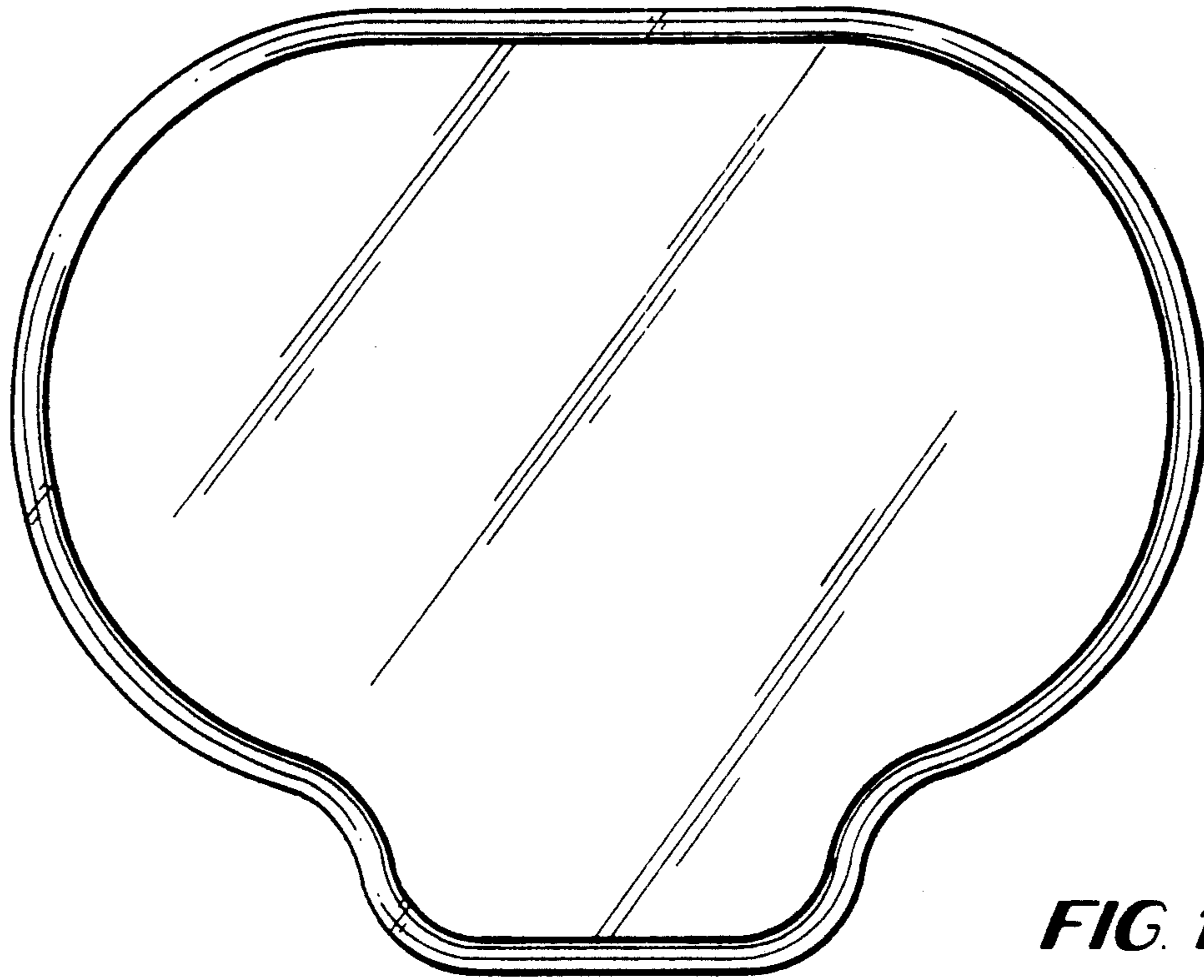


FIG. 2

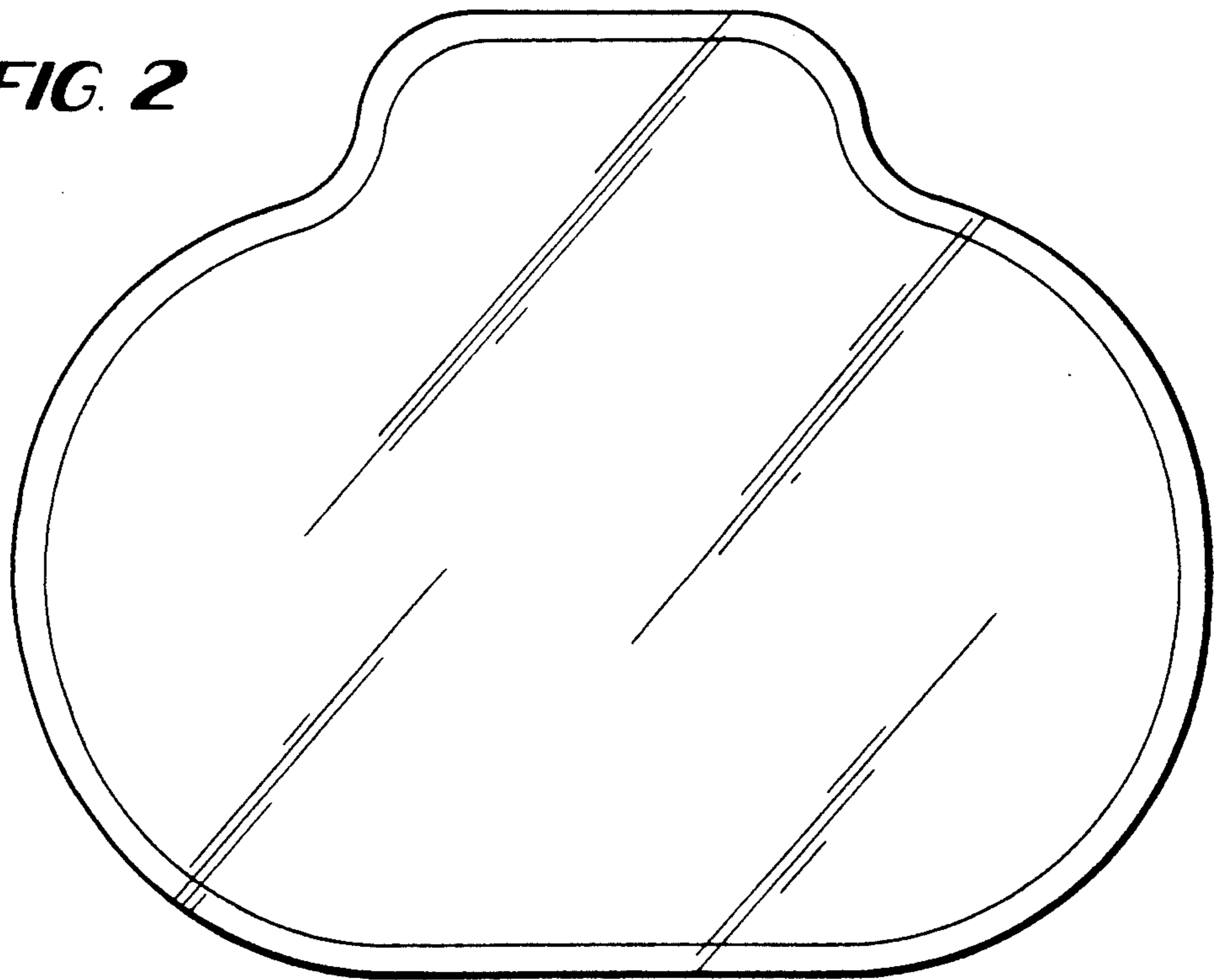


FIG. 3

