



US00D330987S

United States Patent [19]

Rosenthal

[11] Patent Number: **Des. 330,987**

[45] Date of Patent: **** Nov. 17, 1992**

[54] **DISPLAY RACK**

[75] Inventor: **Gunter Rosenthal**, Quebec, Canada

[73] Assignee: **G. Rosenthal Import Ltd.**, Lachine, Canada

[**] Term: **14 Years**

[21] Appl. No.: **661,644**

[22] Filed: **Feb. 28, 1991**

[30] **Foreign Application Priority Data**

Aug. 31, 1990 [CA] Canada 31-08-90-1

[52] U.S. Cl. **D6/566; D6/465; D6/476; D6/567**

[58] Field of Search **D6/396, 397, 449, 462-465, D6/475, 476, 566, 567, 569-574; 211/13, 87, 88, 106, 181, 182; D34/42; D19/85, 90**

[56] **References Cited**

U.S. PATENT DOCUMENTS

- D. 204,111 3/1966 Stromquist D6/566
- D. 264,651 6/1982 Adamson D6/566
- D. 284,721 7/1986 Carter D6/567 X
- D. 311,837 11/1990 Suttles D6/476 X
- D. 312,547 12/1990 Cooper et al. D6/567
- D. 322,378 12/1991 Colman D34/42 X

- 4,140,256 2/1979 King D6/566 X
- 4,234,094 11/1980 Jorgensen D6/566 X
- 4,318,478 3/1982 De Winter D19/85 X
- 4,667,822 5/1987 Coopmans 211/60.1 X

Primary Examiner—Nelson C. Holtje
Assistant Examiner—Jeffrey Asch
Attorney, Agent, or Firm—Samuel Meerkreebs

[57] **CLAIM**

The ornamental design for a display rack, as shown and described.

DESCRIPTION

FIG. 1 is a perspective view of a display rack showing my new design;
 FIG. 2 is a top plan view thereof;
 FIG. 3 is a right side elevational view, the left side being a mirror image thereof;
 FIG. 4 is a rear elevational view thereof;
 FIG. 5 is a front elevational view thereof;
 FIG. 6 is a perspective view of a second embodiment of that shown in Figure; and,
 FIG. 7 is a right side elevational view, the left side being a mirror image thereof.
 The rear and front elevational views of the second embodiment are the same in appearance as those of the first embodiment.

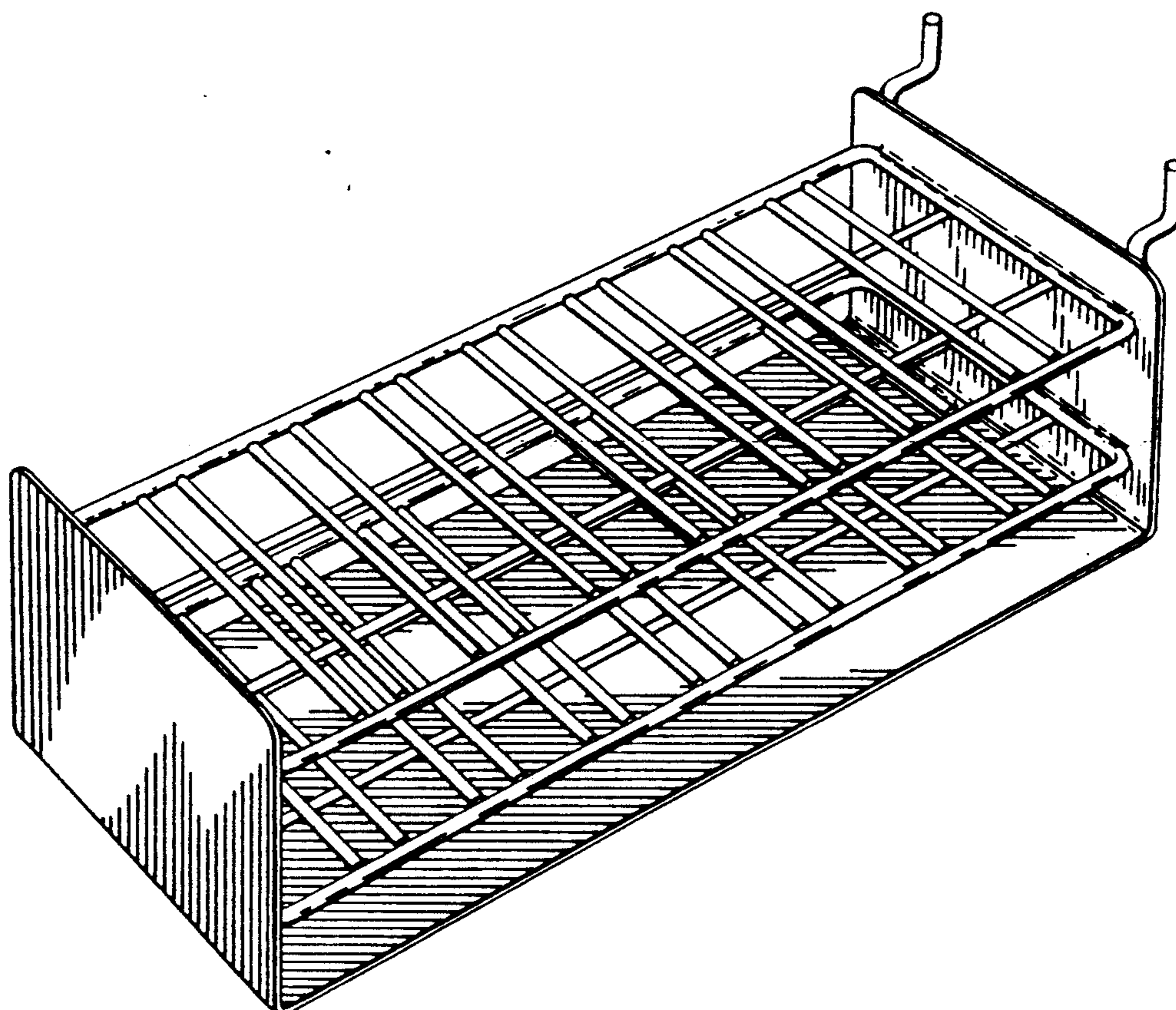


Fig. 1

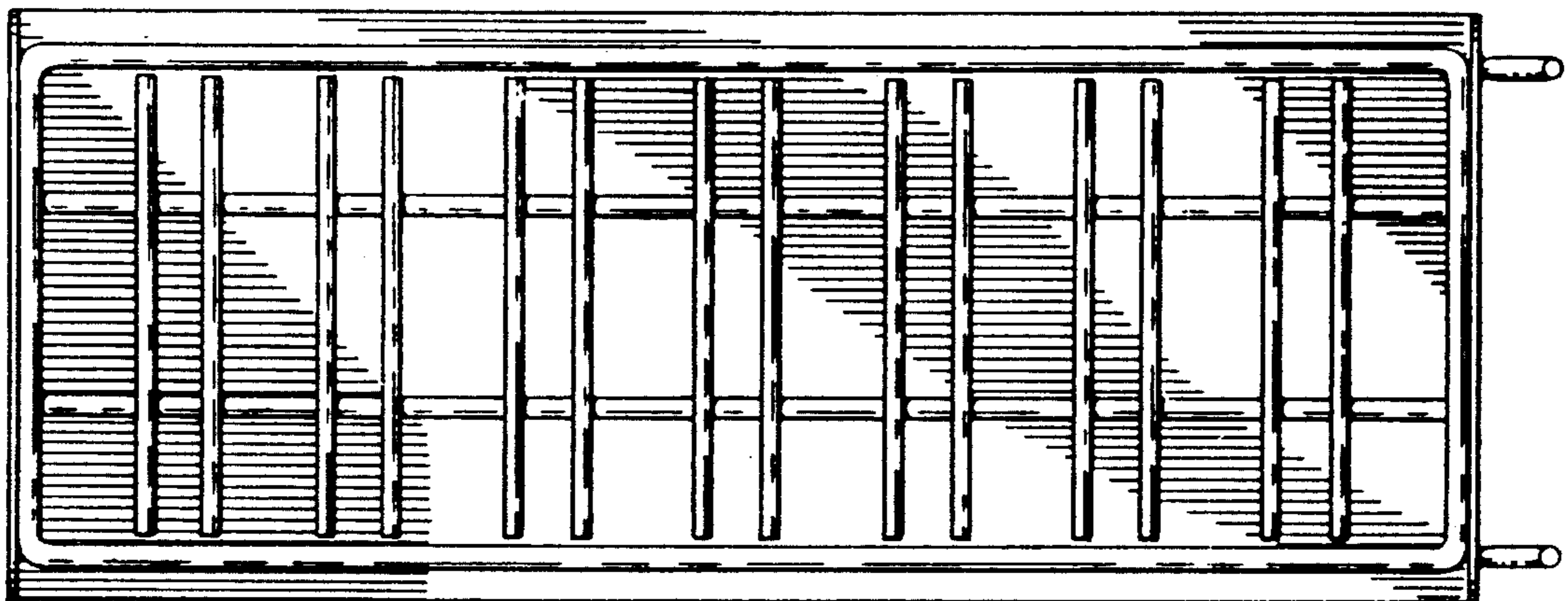
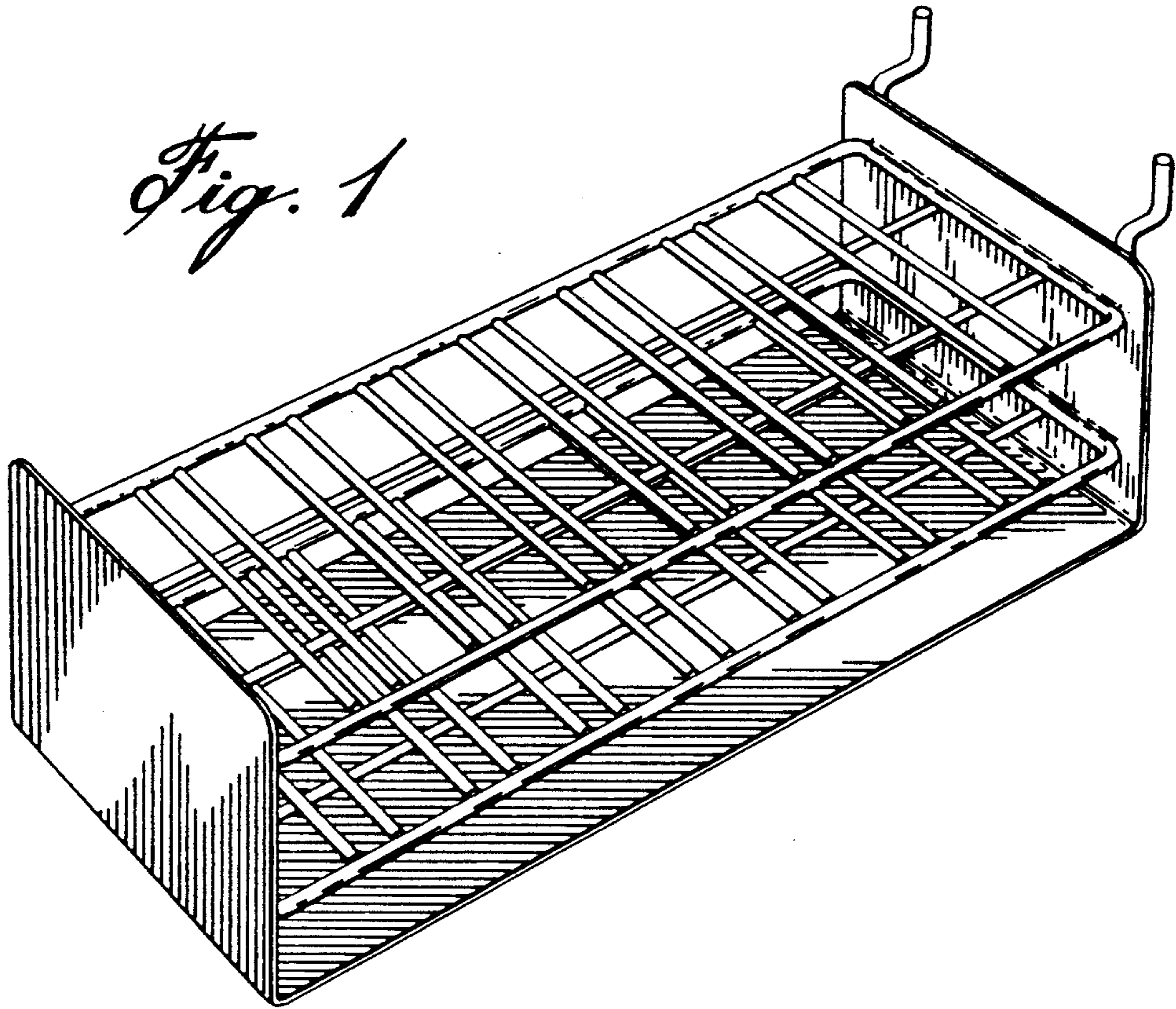


Fig. 2

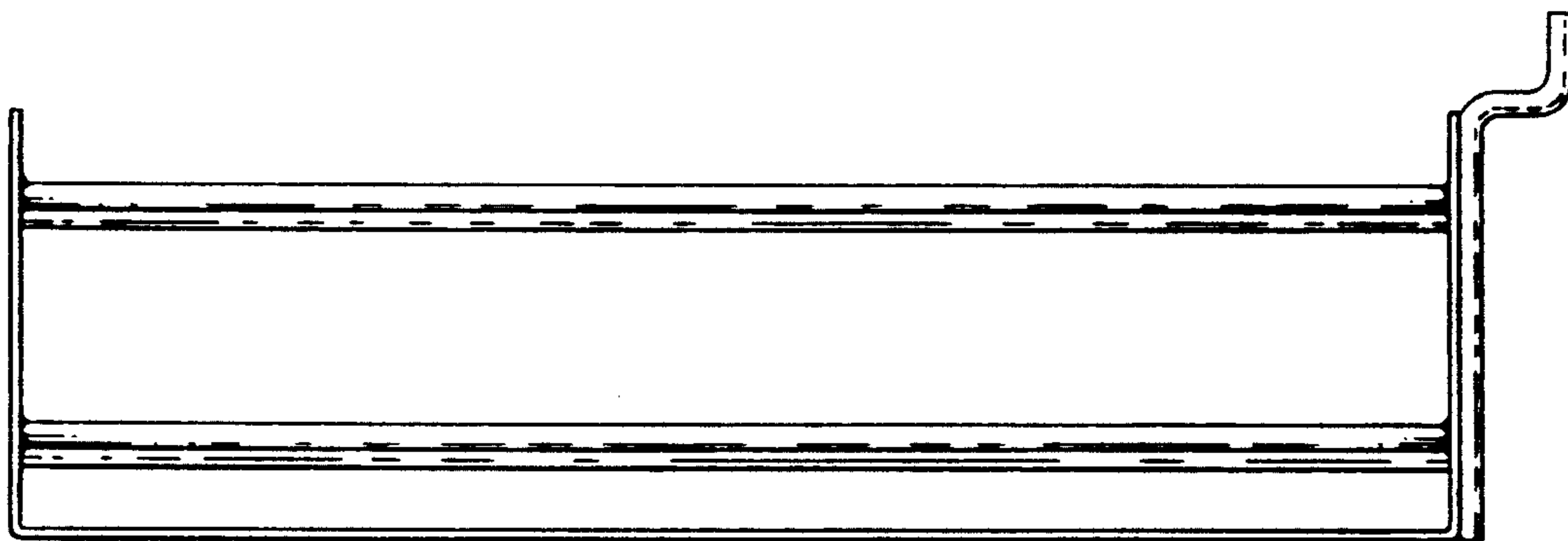


Fig. 3

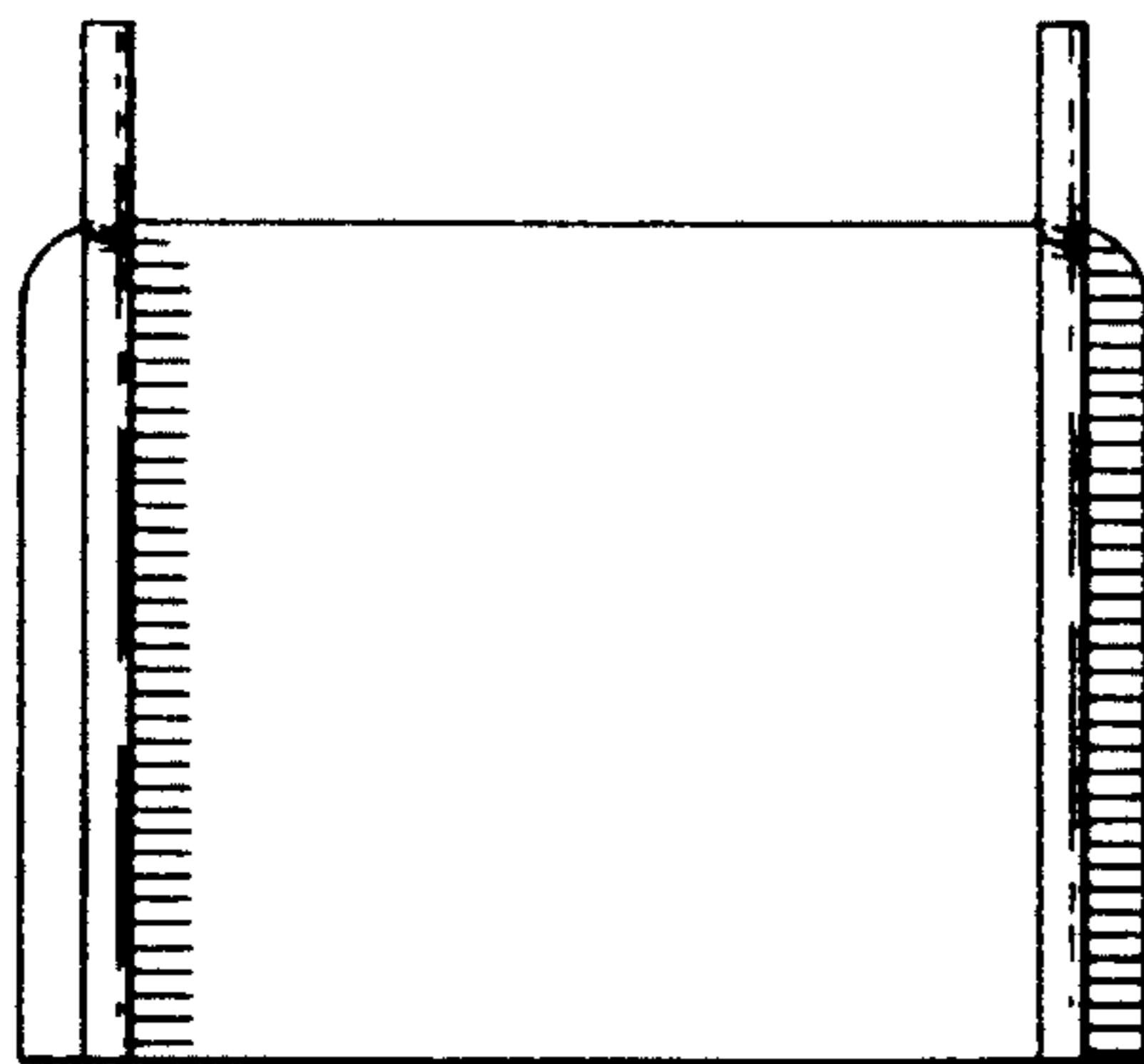
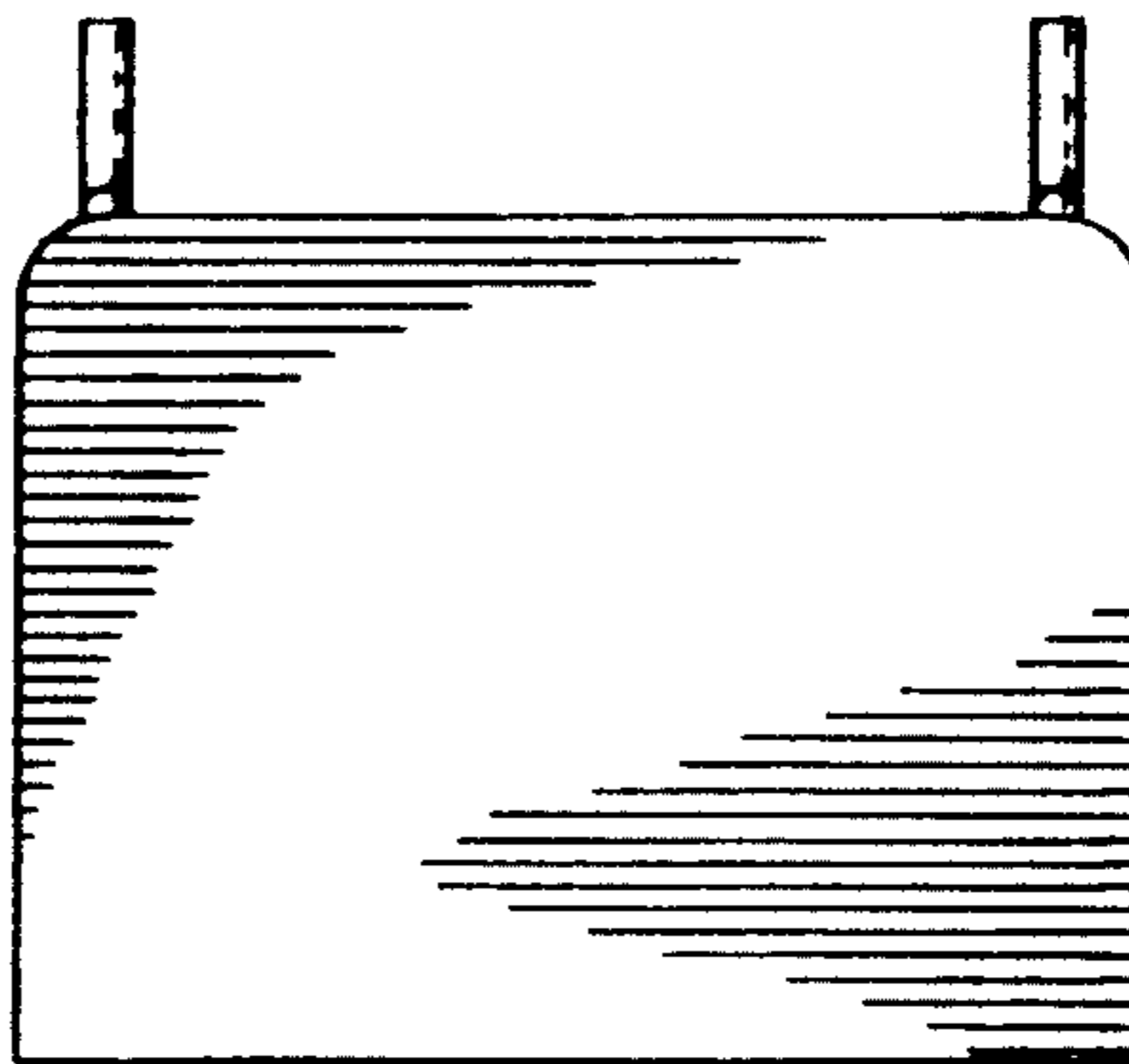


Fig. 4

Fig. 5



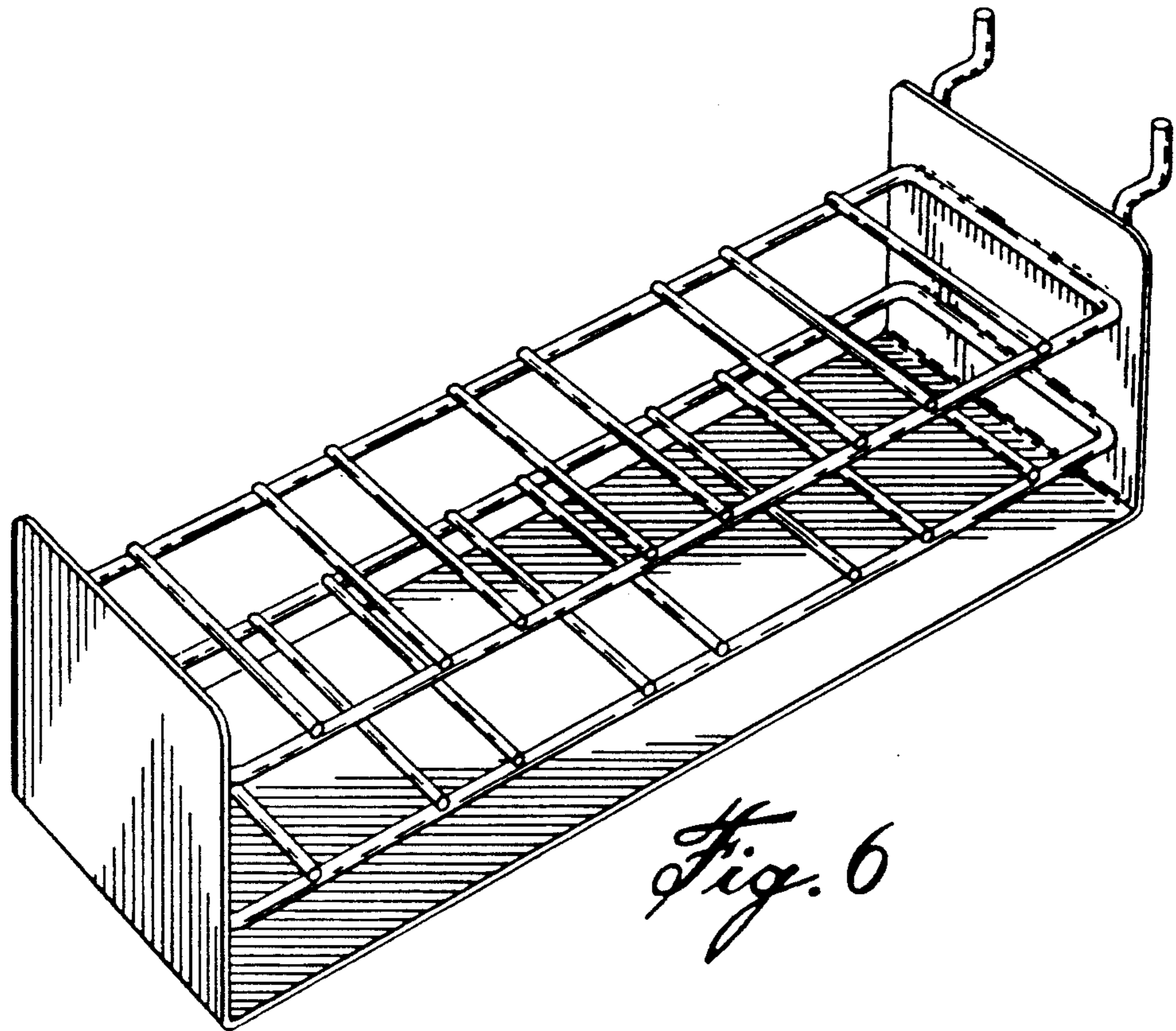


Fig. 6

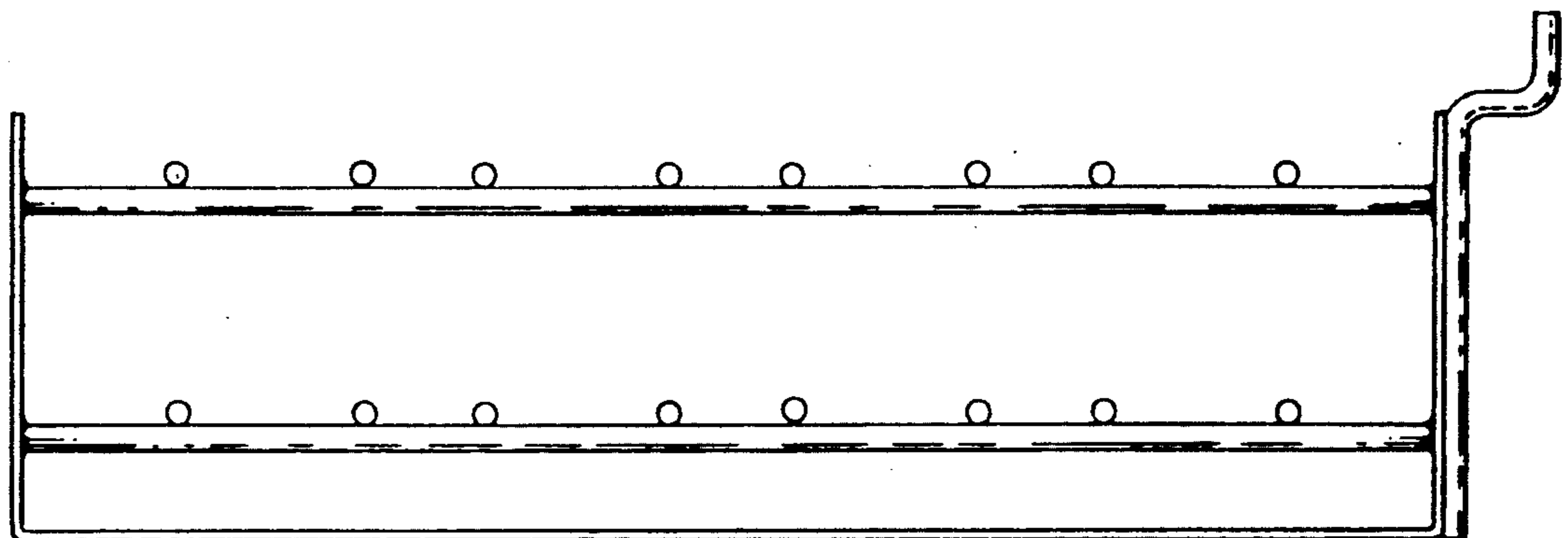


Fig. 7