



US00D330984S

United States Patent [19]

[11] Patent Number: **Des. 330,984**

Evans

[45] Date of Patent: **** Nov. 17, 1992**

[54] **COMBINED TOILET TISSUE DISPENSER AND TOILET TISSUE ROLL STORAGE UNIT**

4,058,354 11/1977 Powaska 312/45

[76] Inventor: **Myra L. Evans**, Rte. 2, Box 27A,
Cumby, Tex. 75433

Primary Examiner—Brian N. Vinson
Attorney, Agent, or Firm—S Pal Asija

[**] Term: **14 Years**

[57] **CLAIM**

[21] Appl. No.: **714,741**

The ornamental design for a combined toilet tissue dispenser and toilet tissue roll storage unit, as shown and described.

[22] Filed: **Jun. 13, 1991**

DESCRIPTION

[52] U.S. Cl. **D6/520; D6/521; D6/523**

[58] **Field of Search** D6/518, 520-523,
D6/553; 221/134, 282-286; 242/55.2, 55.3,
55.42, 55.53, 55.54; 312/45

FIG. 1 is a top, rear, and left side perspective view of a combined toilet tissue dispenser and toilet tissue roll storage unit showing my new design;

FIG. 2 is a rear elevational view thereof;

FIG. 3 is a front elevational view thereof;

FIG. 4 is a left side elevational view thereof;

FIG. 5 is a right side elevational view thereof;

FIG. 6 is a top plan view thereof; and,

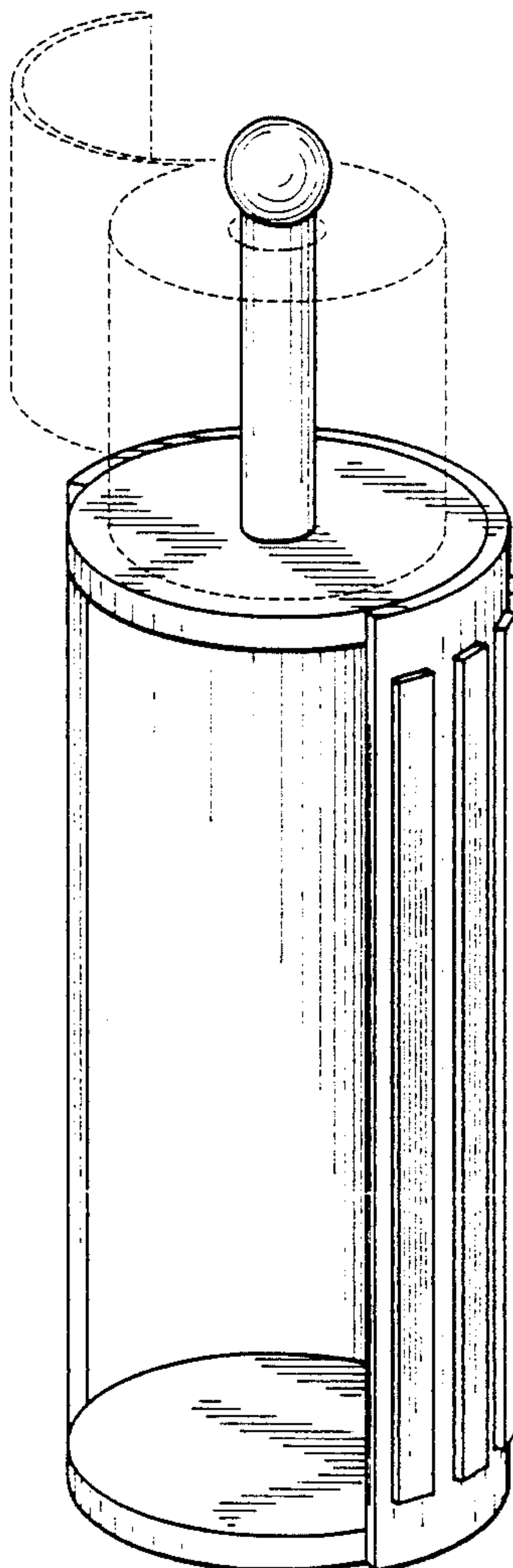
FIG. 7 is a bottom plan view thereof.

The broken-line disclosure of a roll of toilet tissue in the views is for illustrative purposes only and forms no part of the claimed design.

[56] **References Cited**

U.S. PATENT DOCUMENTS

- D. 283,095 3/1986 Compton D6/522 X
- D. 303,472 9/1989 Manhart D6/553
- D. 307,086 4/1990 Van Marcke et al. D6/523 X
- D. 327,798 7/1992 Addison et al. D6/523



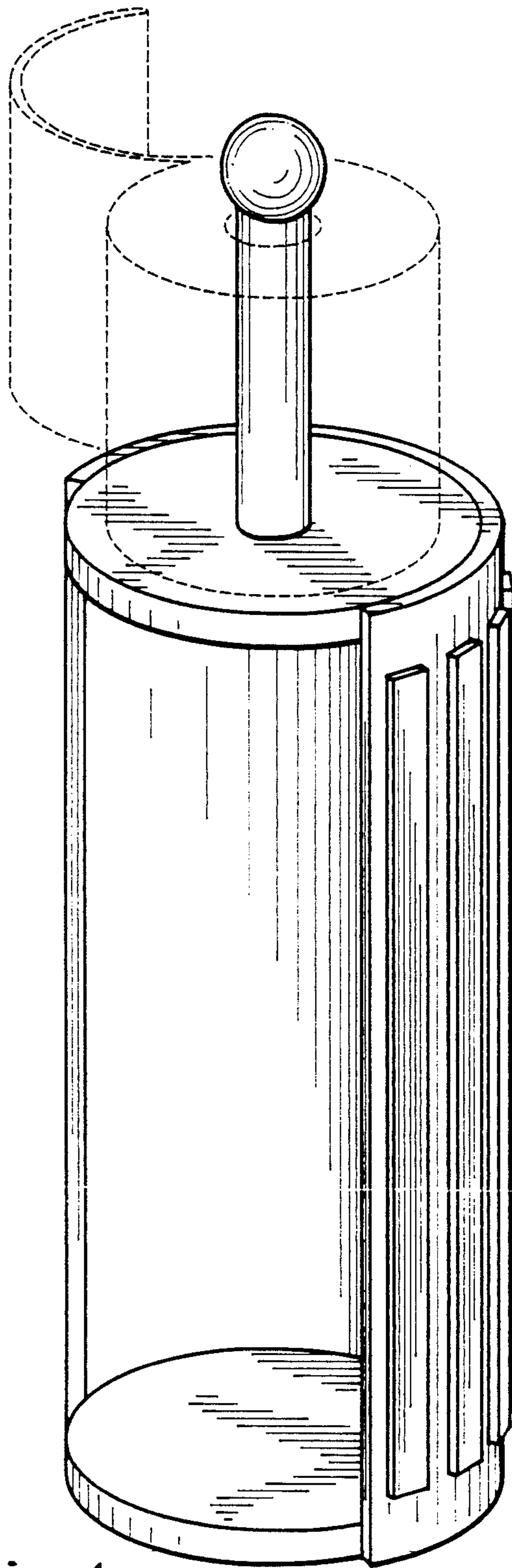


Fig. 1

Fig. 2

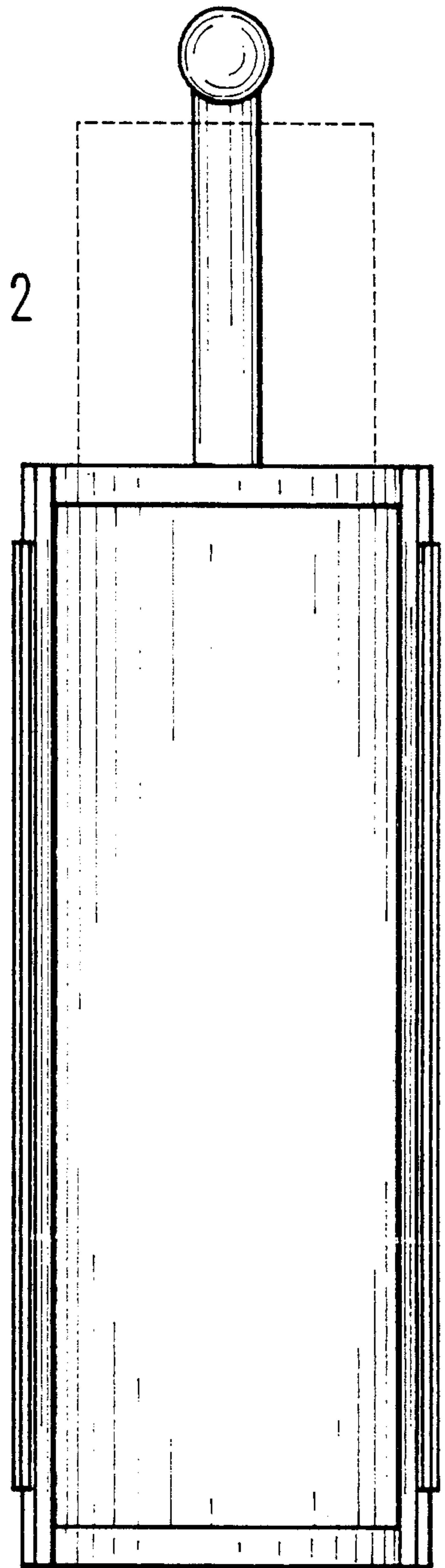


Fig. 3

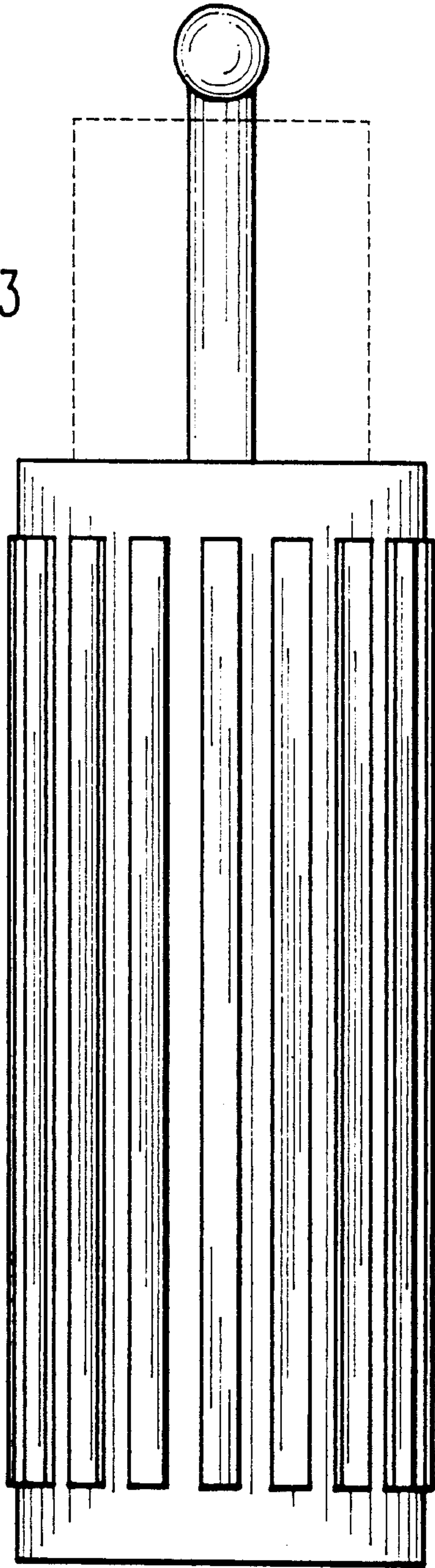


Fig. 4

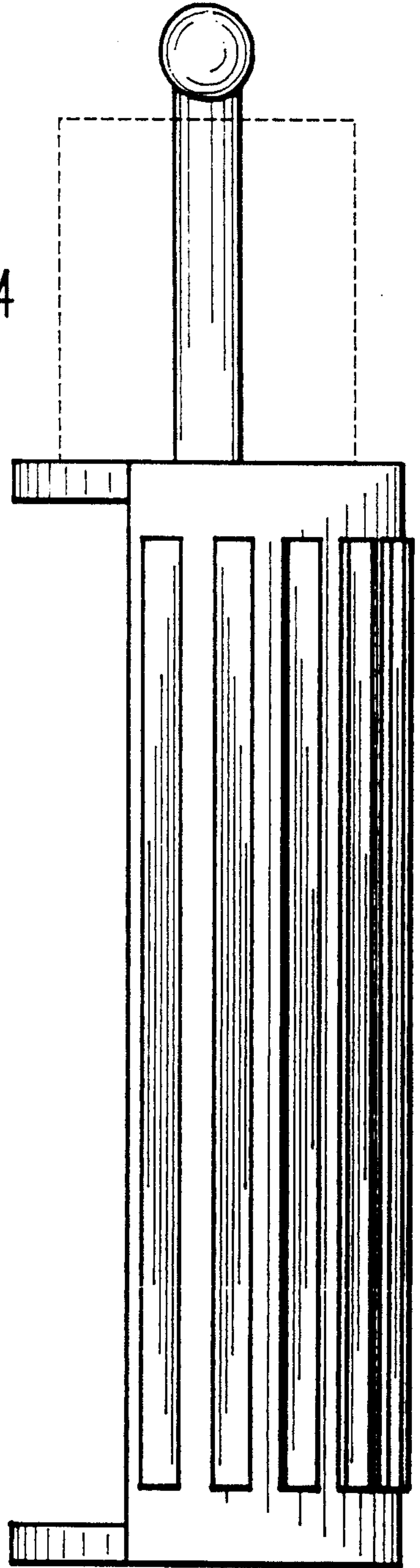


Fig. 5

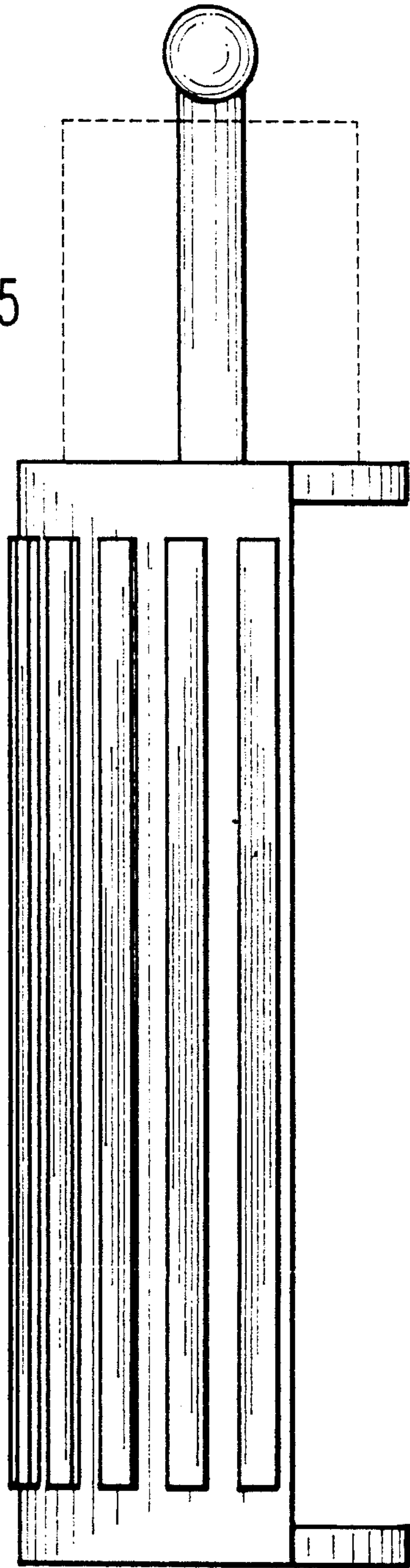


Fig. 6

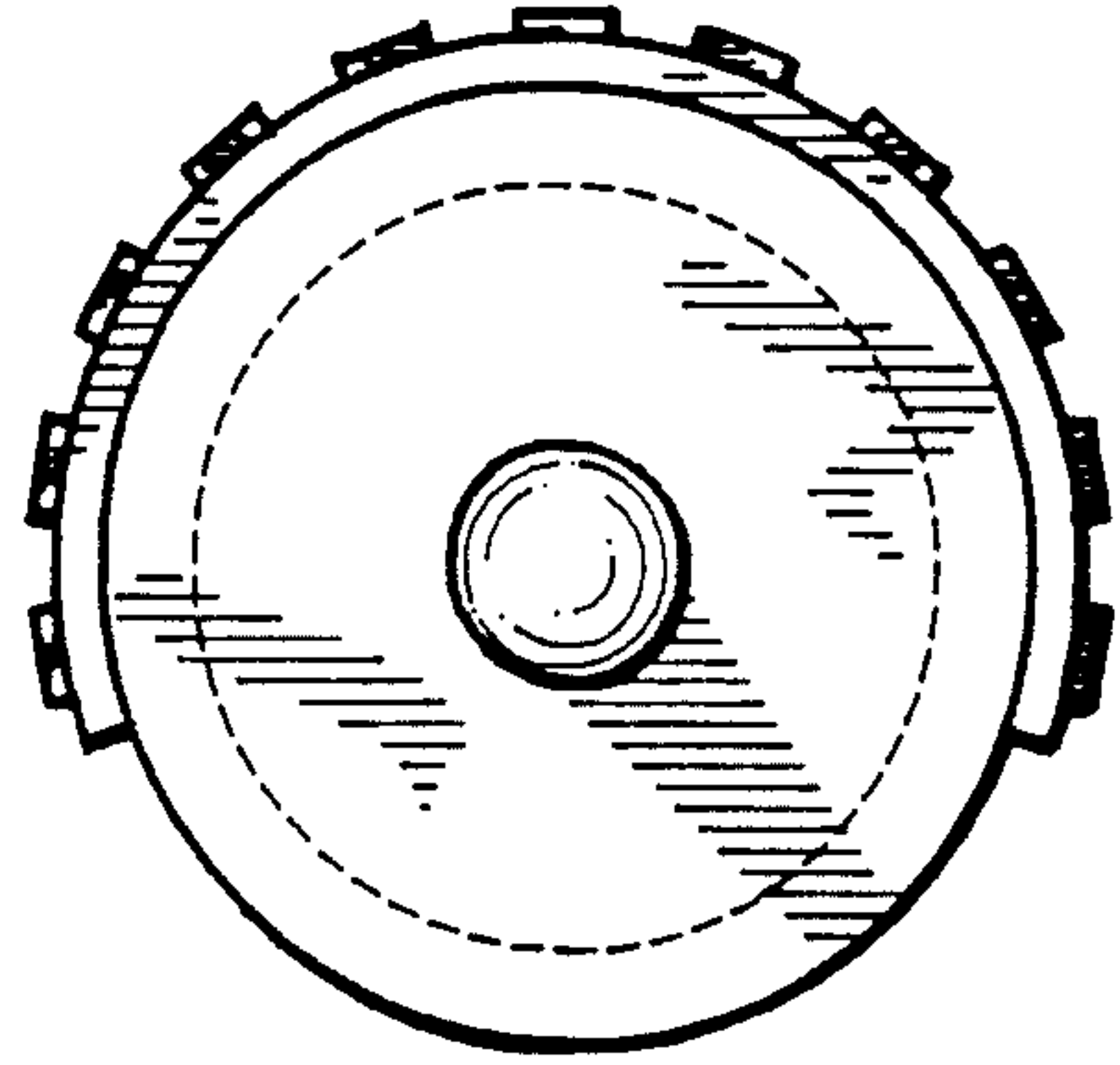


Fig. 7

