



US00D330982S

# United States Patent [19]

[11] Patent Number: **Des. 330,982**

**Braun**

[45] Date of Patent: **\*\* Nov. 17, 1992**

- [54] TABLE USED PRIMARILY FOR SORTING YARN
- [75] Inventor: **Anthony E. Braun**, Kerrville, Tex.
- [73] Assignee: **Roena B. Jons**, Kerrville, Tex. ; a part interest
- [\*\*] Term: **14 Years**
- [21] Appl. No.: **405,353**
- [22] Filed: **Sep. 8, 1989**
- [52] U.S. Cl. .... **D6/457; D6/486**
- [58] Field of Search ..... **D6/480, 482-489, D6/495-497, 425, 426, 429, 430, 449, 457, 419; D3/23, 25, 26; 209/702-704; 211/61, 70; 223/106-108**

- D. 263,780 4/1982 Hildebrand et al. .... D6/457
- D. 266,799 11/1982 Mace .
- D. 270,397 9/1983 Zelmer .
- D. 295,592 5/1988 Brace ..... D6/457
- 929,897 8/1909 Taylor ..... 211/70
- 1,150,256 8/1915 Dunbar .
- 1,221,517 4/1917 Dunbar .
- 1,888,324 11/1932 Matthai .
- 1,987,159 1/1935 Rasmussen .
- 2,968,407 1/1961 Dresser .
- 3,949,452 4/1976 Henderson .
- 3,955,722 5/1976 Bard .
- 4,380,296 4/1983 Murry et al. .
- 4,489,865 12/1984 Wriedt ..... 223/106
- 4,763,855 8/1988 DiVincenzo .

*Primary Examiner*—Nelson C. Holtje  
*Assistant Examiner*—Janice E. Seeger  
*Attorney, Agent, or Firm*—Cox & Smith Incorporated

[56] **References Cited**  
**U.S. PATENT DOCUMENTS**

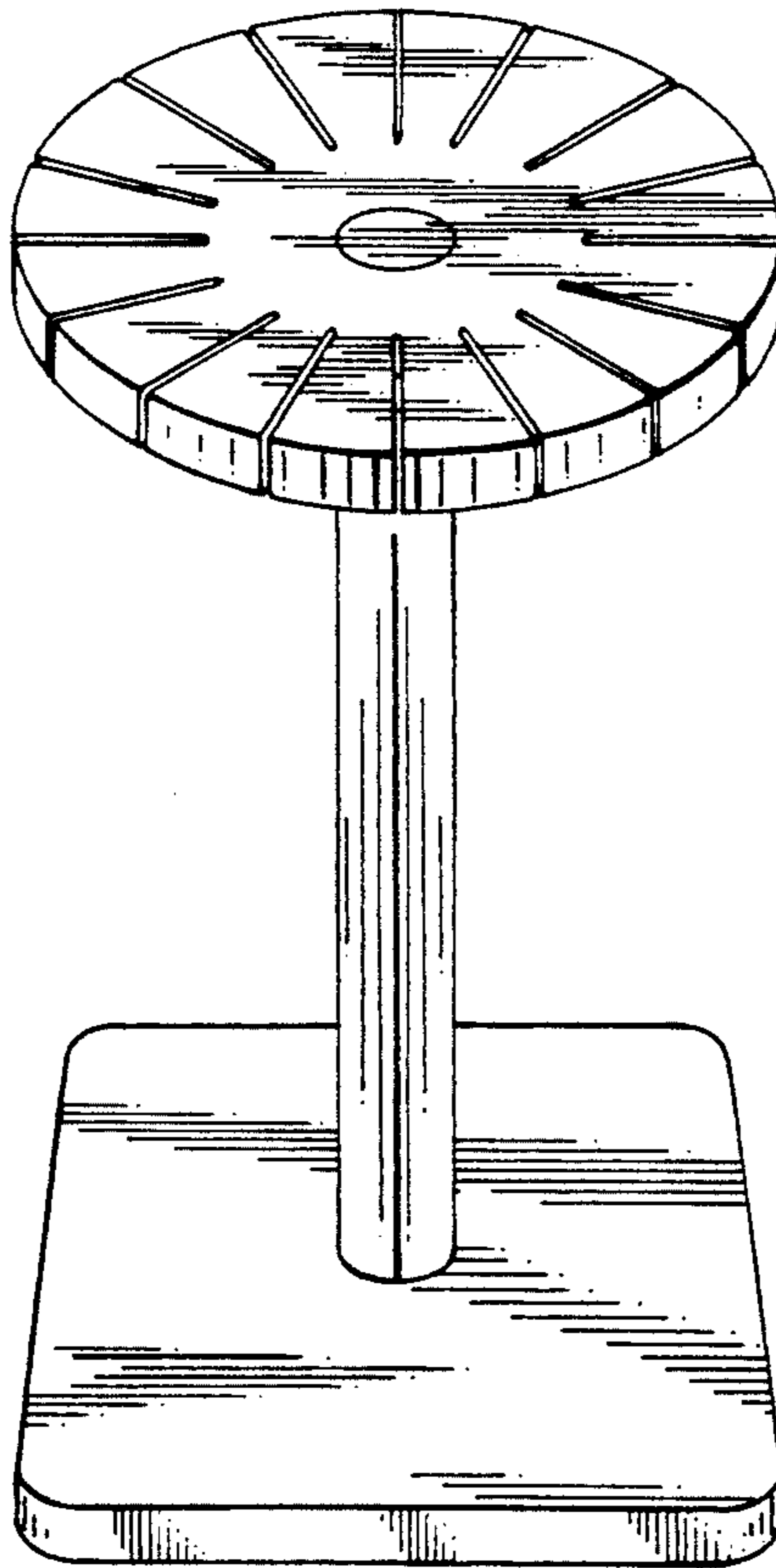
- D. 91.433 1/1934 Koger .
- D. 182.269 3/1958 Brown et al. .
- D. 216.713 3/1970 Buchwach ..... D6/486 X
- D. 228.272 9/1973 Hutchinson ..... D6/498
- D. 236.529 8/1975 Courtney .
- D. 237.564 11/1975 Laylon ..... D6/486
- D. 237.667 11/1975 Percelay .
- D. 243.646 3/1977 Nolan ..... D6/457
- D. 261.341 10/1981 Eberle ..... D6/498

[57] **CLAIM**

The ornamental design for the table used primarily for sorting yarn, as shown and described.

**DESCRIPTION**

FIG. 1 is a top plan view of a table used primarily for sorting yarn showing my new design;  
 FIG. 2 is a typical side elevational view of FIG. 1;  
 FIG. 3 is a bottom plan view of FIG. 1; and,  
 FIG. 4 is a perspective view of FIG. 1.



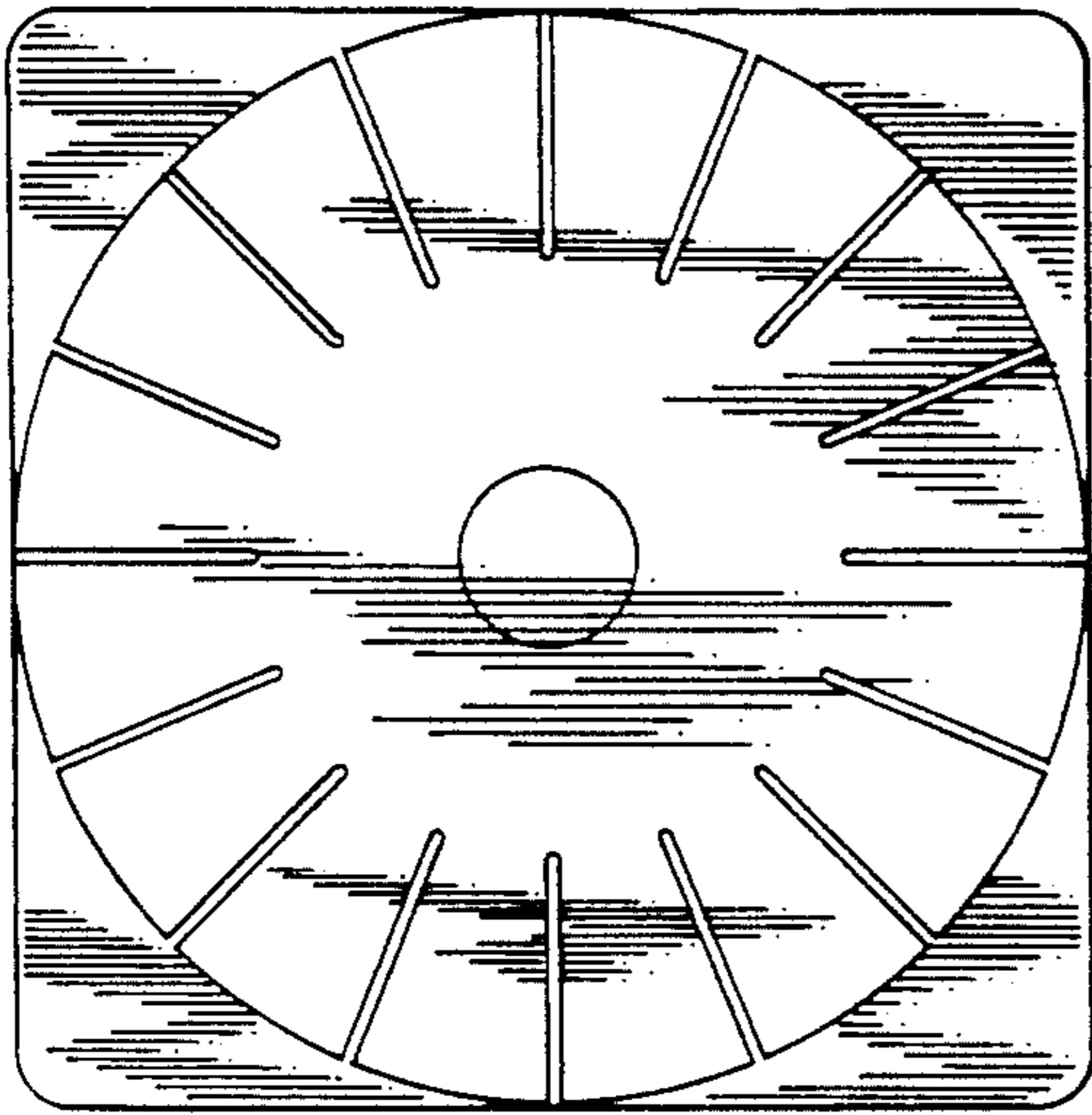


FIG. 1

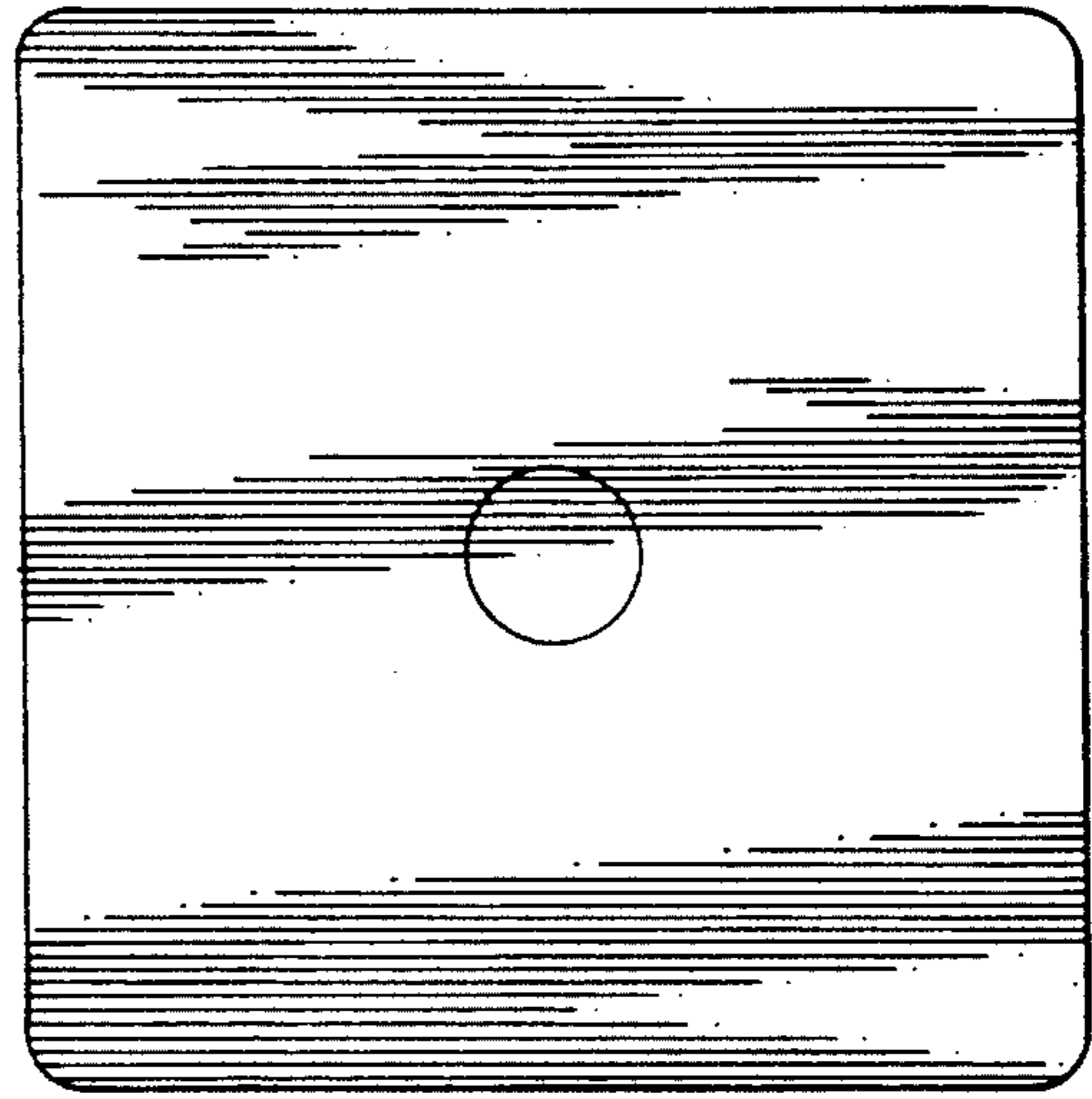


FIG. 3

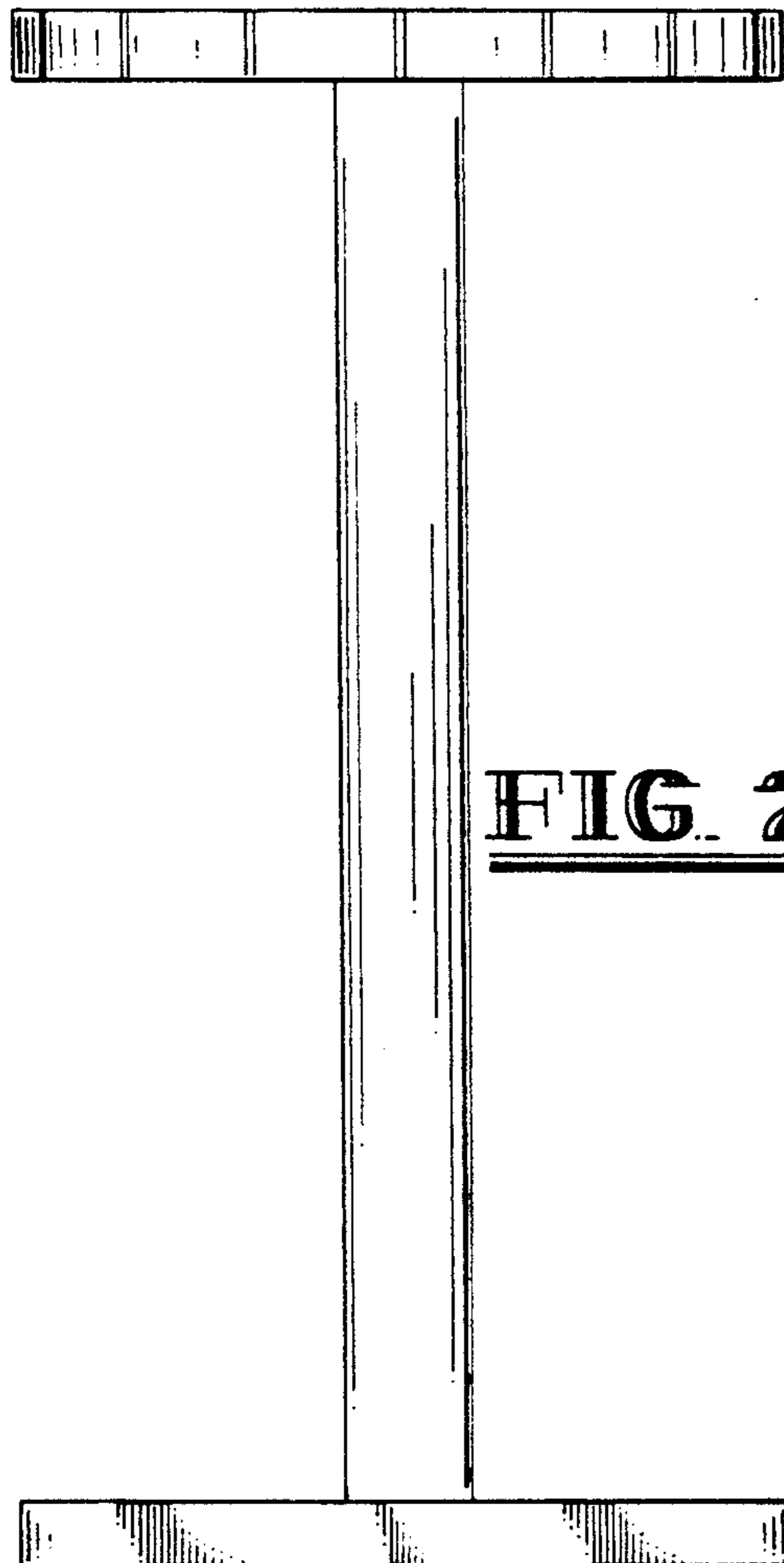


FIG. 2

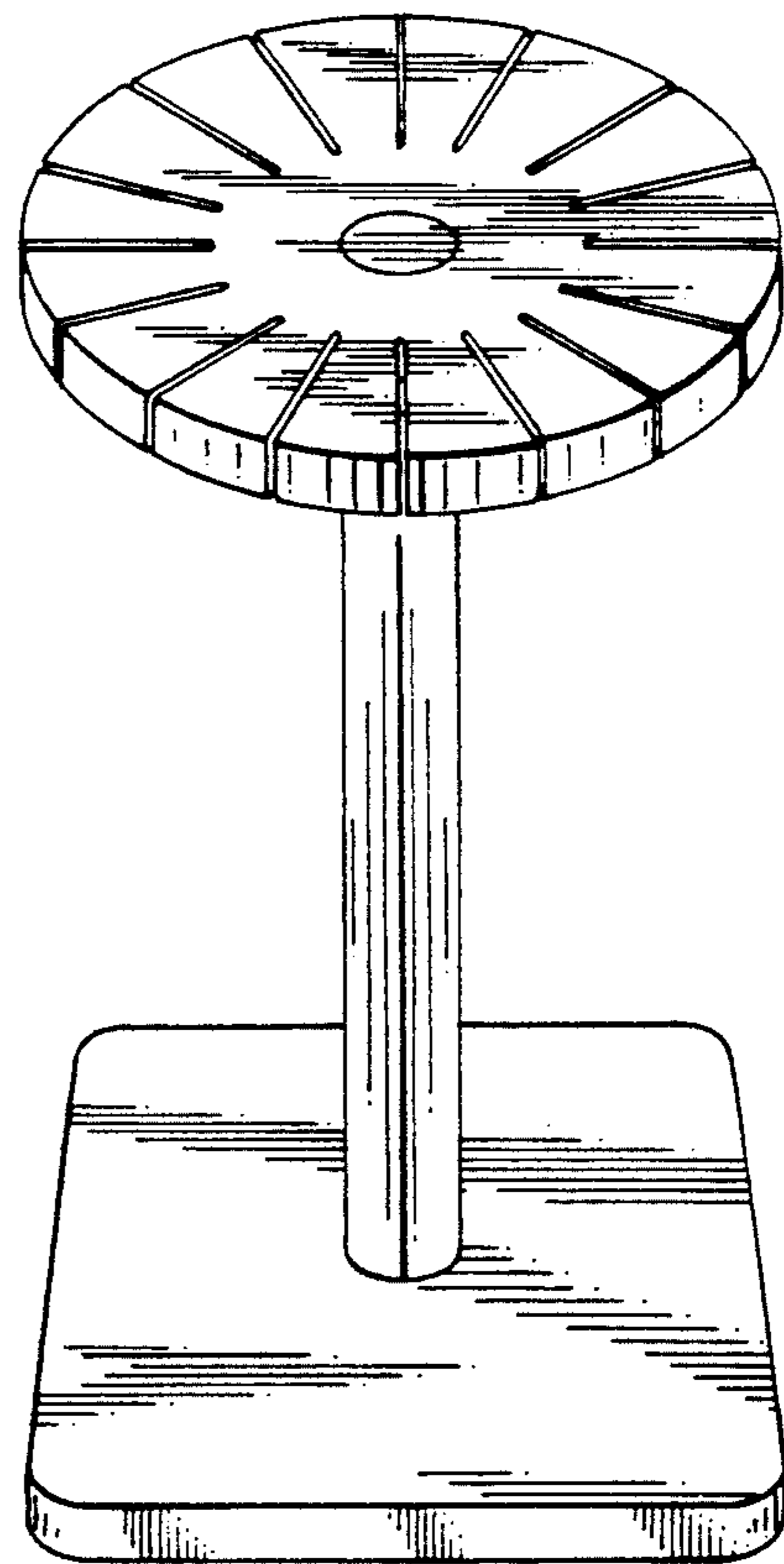


FIG. 4