



US00D330981S

United States Patent [19]

[11] Patent Number: **Des. 330,981**

Abraham et al.

[45] Date of Patent: **** Nov. 17, 1992**

[54] **MUSICAL INSTRUMENT DIGITAL INTERFACE DESK**

[75] Inventors: **Leslie R. Abraham; Dennis R. Meyer; Glenn G. Kanengieter; Craig J. Ulrich; Peter F. Menzel**, all of Owatonna, Minn.; **Dorette E. Kanengieter**, legal representative of said Glenn G. Kanengieter, deceased

[73] Assignee: **Wenger Corporation**, Owatonna, Minn.

[**] Term: **14 Years**

[21] Appl. No.: **635,782**

[22] Filed: **Dec. 28, 1990**

[52] U.S. Cl. **D6/426**

[58] Field of Search **D6/422-428; 312/194-196**

[56] **References Cited**

U.S. PATENT DOCUMENTS

- D. 257,304 10/1980 Robertson et al. D6/422
- D. 258,787 4/1981 Verdesca D6/422

- D. 270,025 8/1983 Kones D6/422
- D. 292,154 10/1987 Worrell et al. D6/428 X
- D. 300,490 4/1989 Helstab D6/426 X
- D. 318,768 8/1991 Westland et al. D6/422

OTHER PUBLICATIONS

The Office Nov. 1979 p. 168; computerdesk bottom right on page.

The Office Jun. 1983 p. 114; work station on page.

Primary Examiner—Carmen H. Vales-Lado
Attorney, Agent, or Firm—Dorsey & Whitney

[57] **CLAIM**

The ornamental design for a musical instrument digital interface desk, as shown.

DESCRIPTION

FIG. 1 is a front perspective view of a musical instrument digital interface desk showing our design; FIG. 2 is a side elevational view; FIG. 3 is a rear elevational view; FIG. 4 is a bottom plan view; FIG. 5 is a front elevational view; and, FIG. 6 is a top plan view.

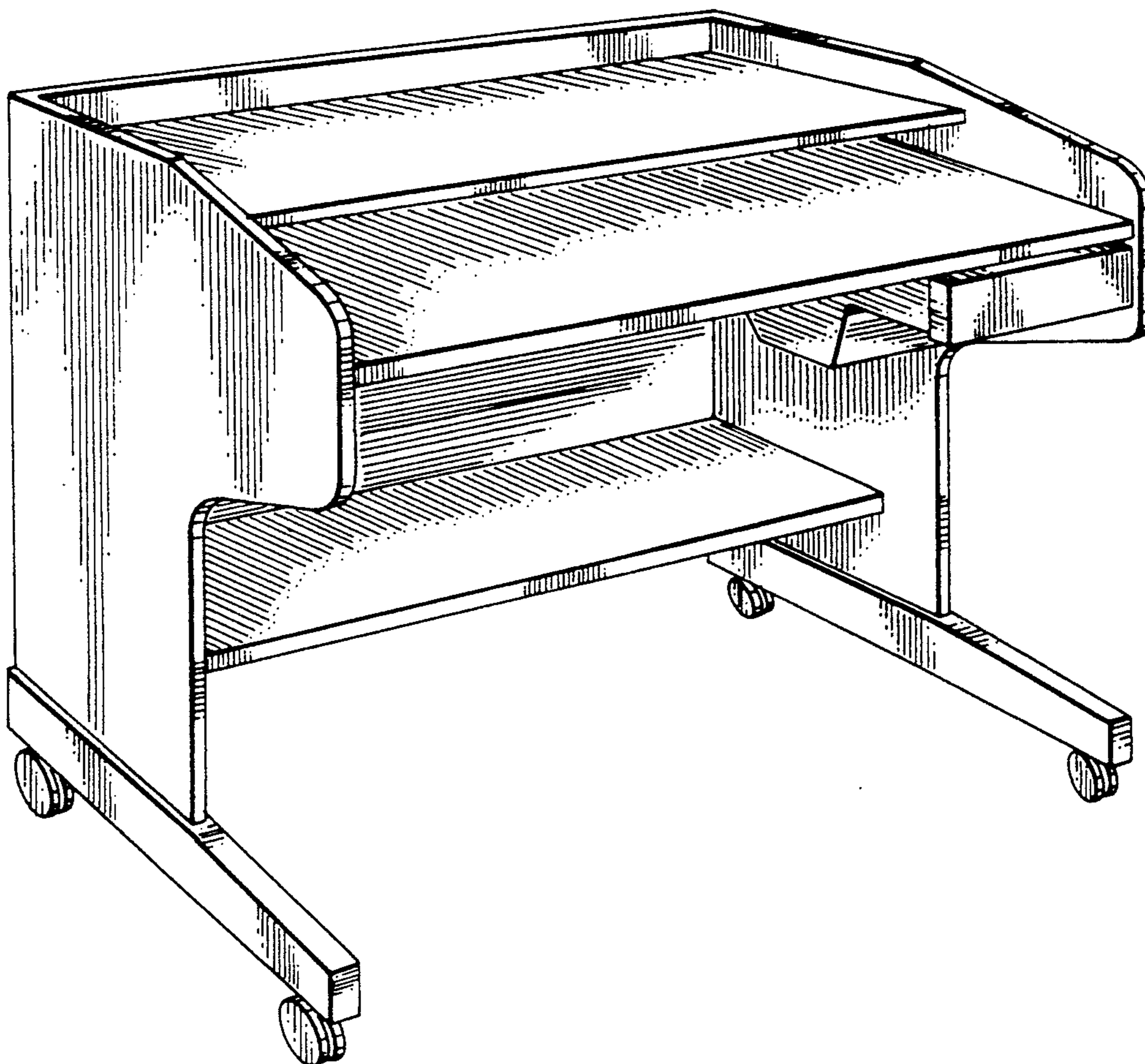


Fig. 1

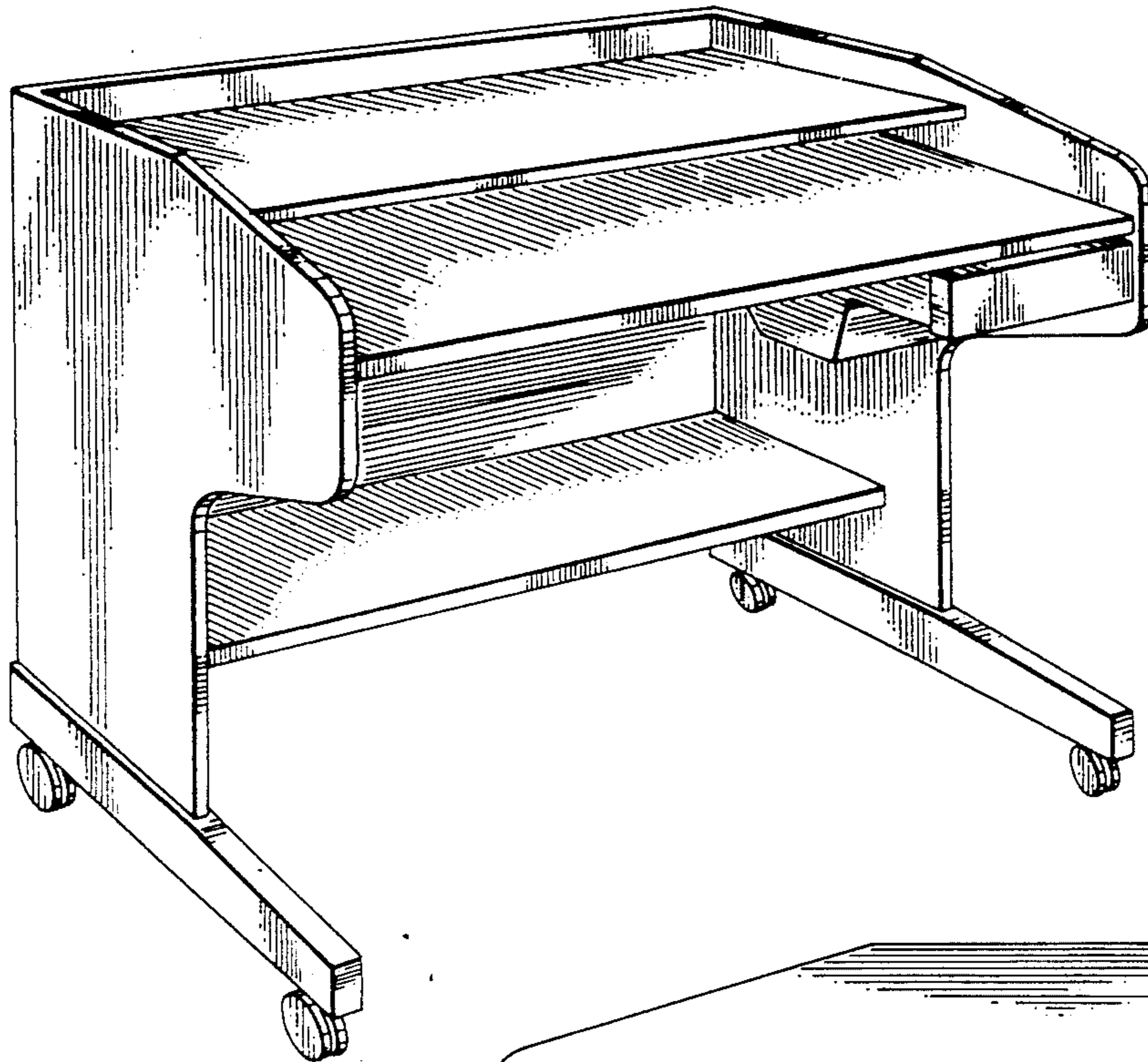


Fig. 2

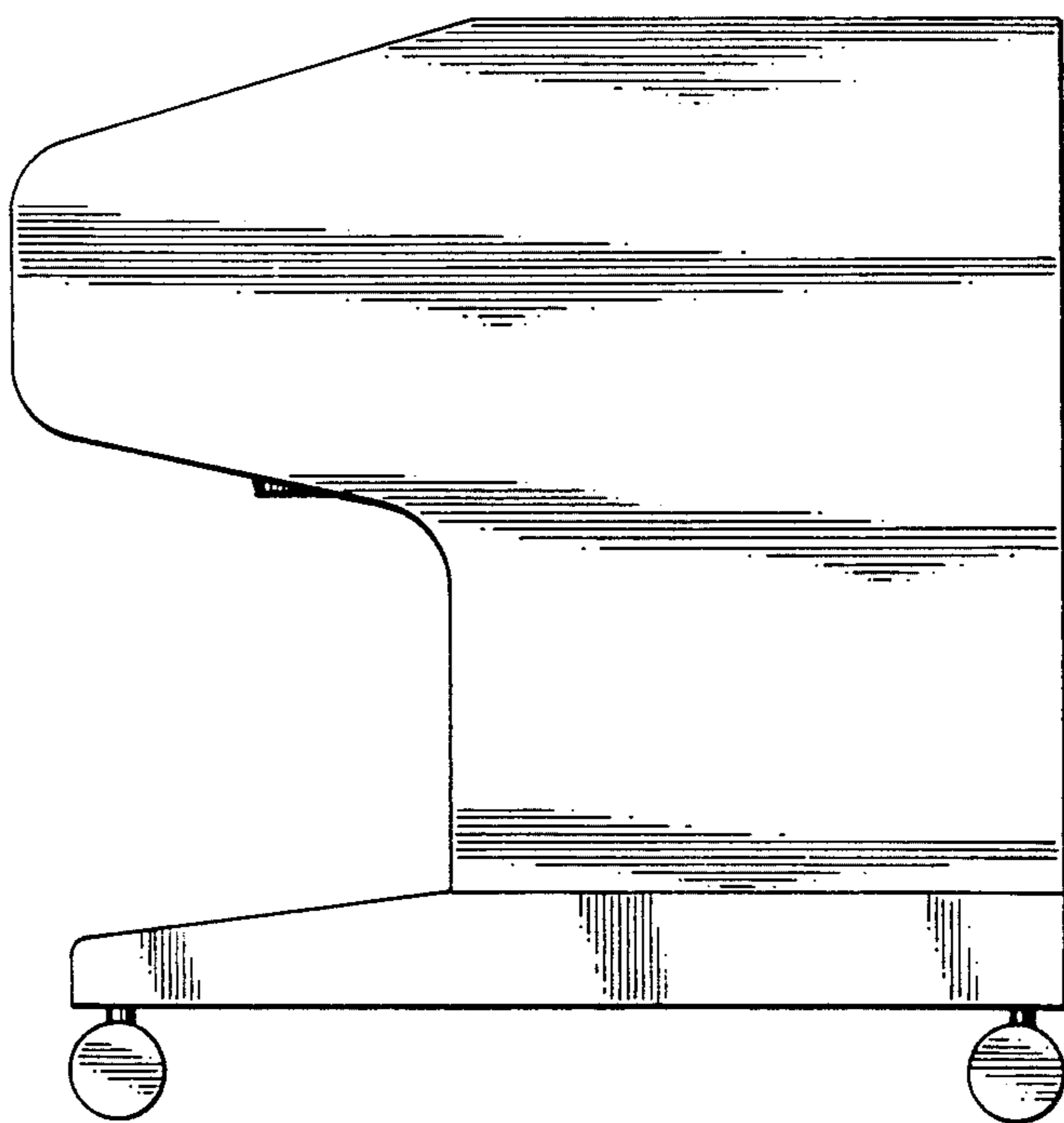


Fig. 3

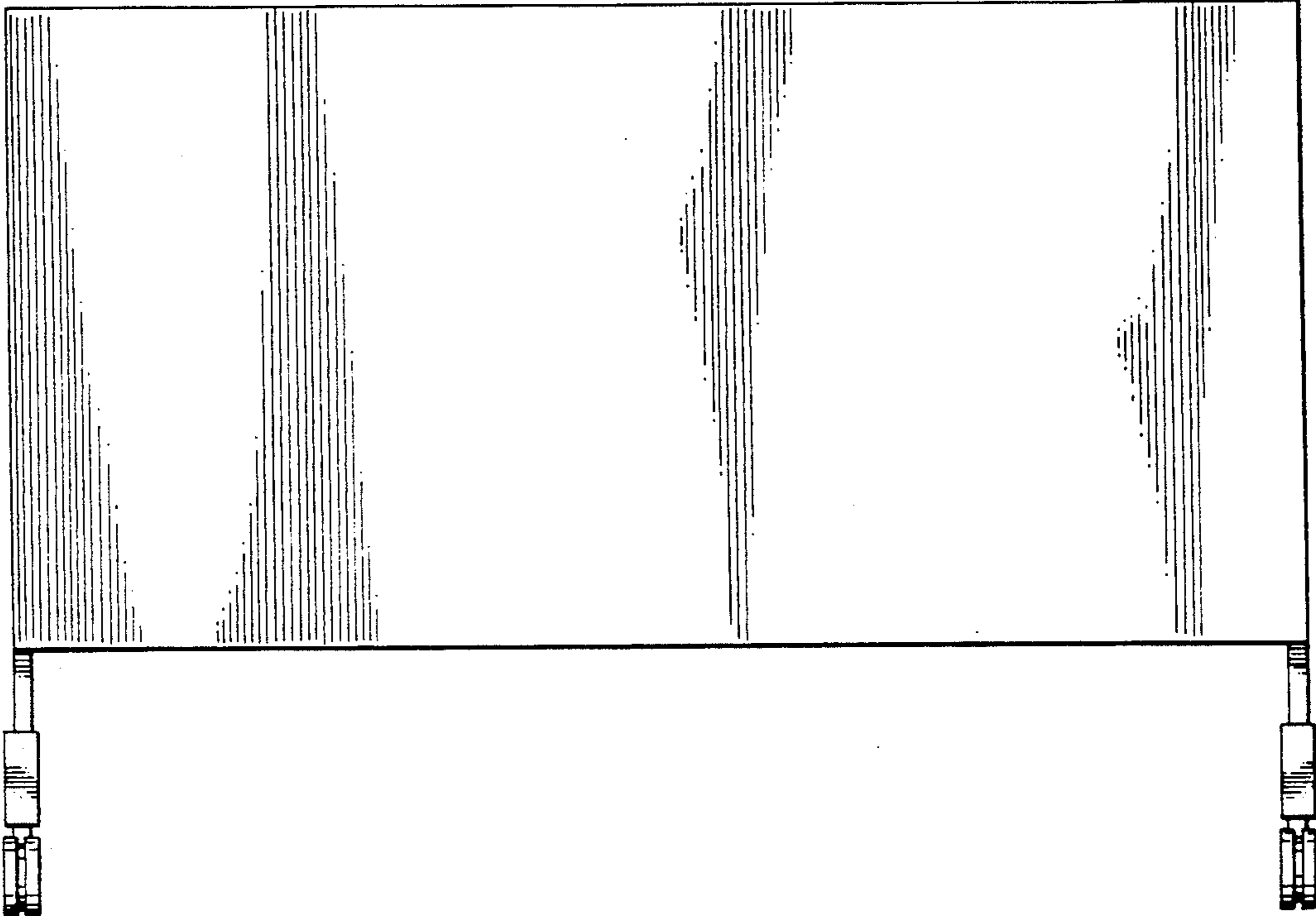


Fig. 4

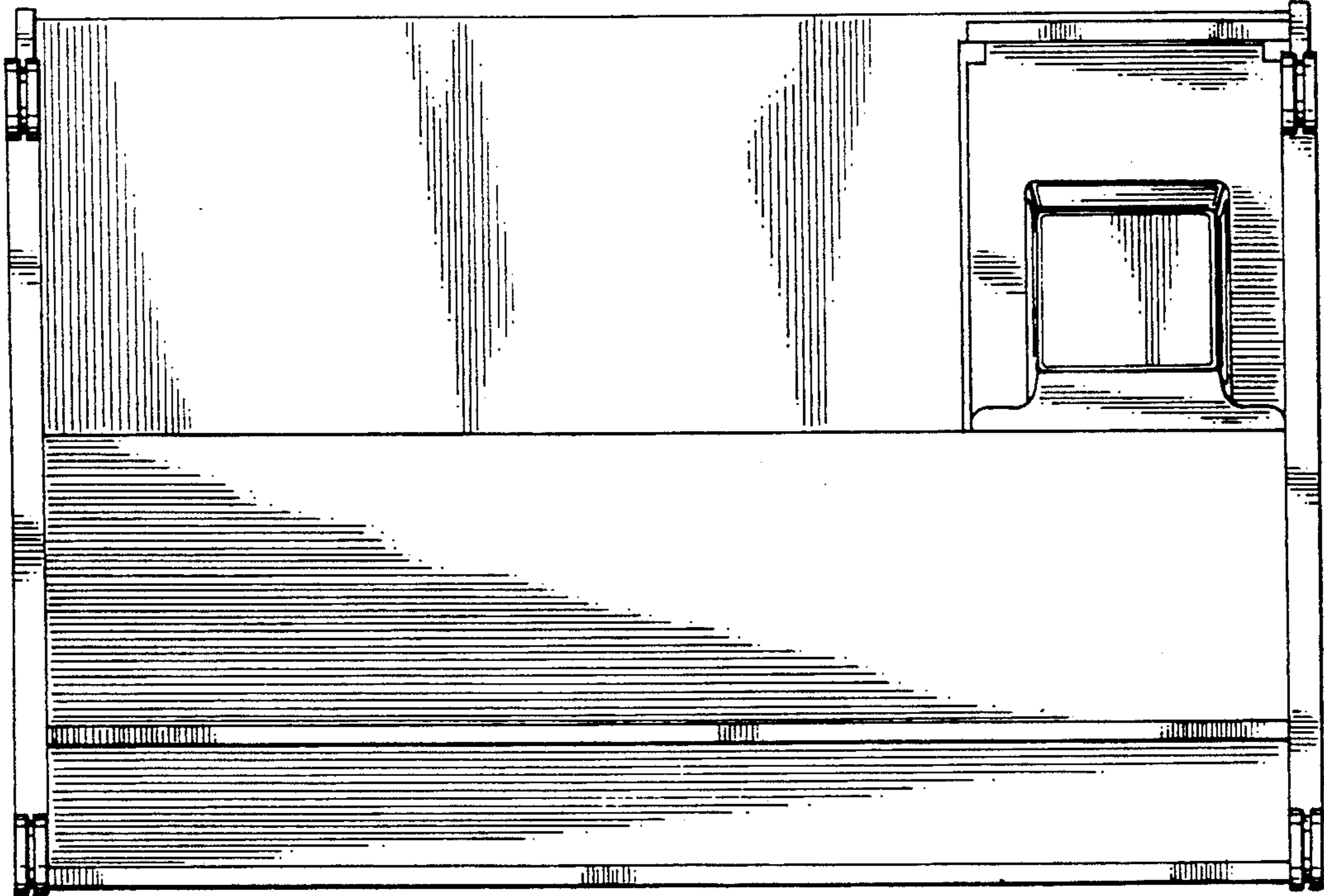


Fig. 5

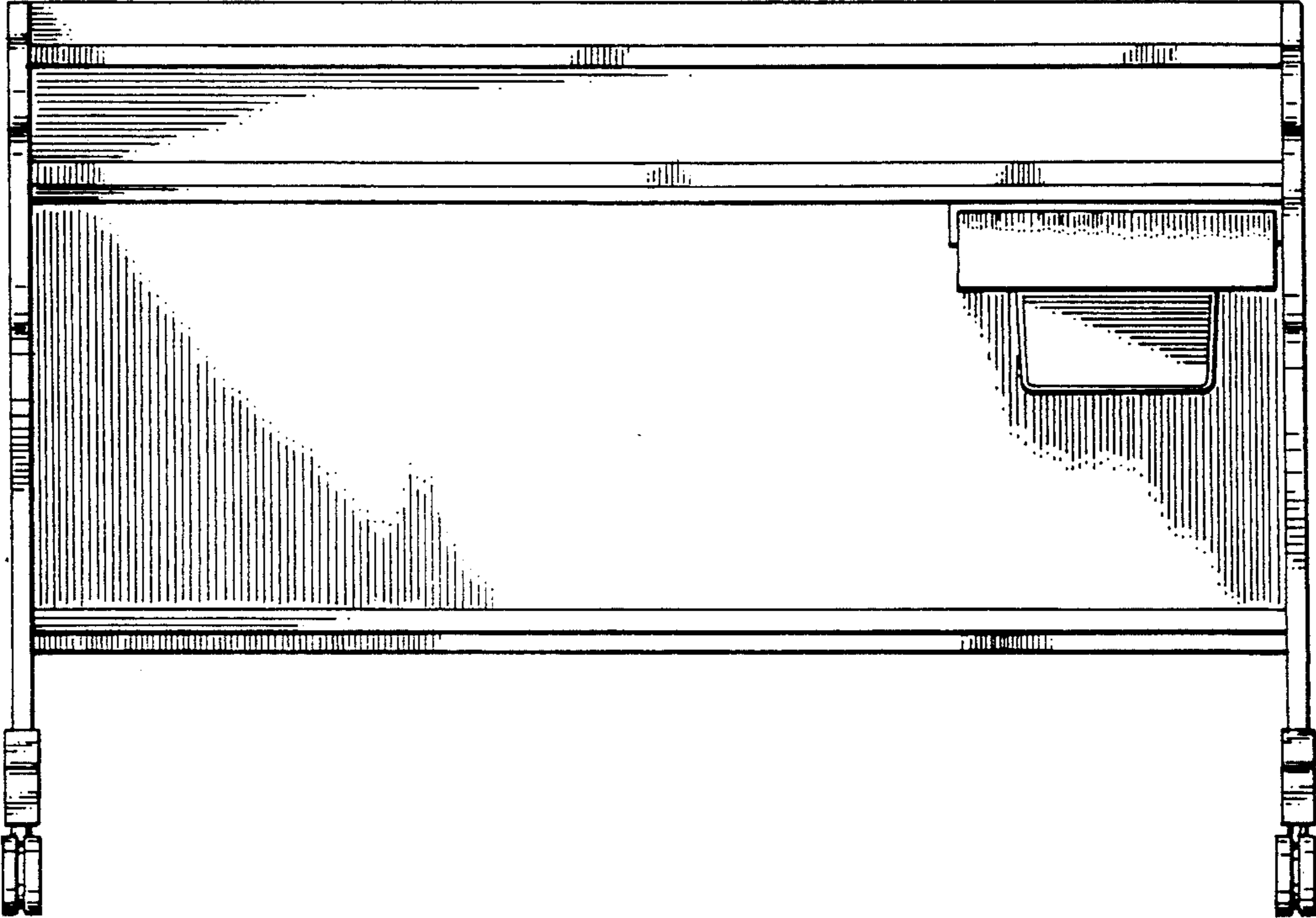


Fig. 6

