



US00D330978S

United States Patent [19]

[11] Patent Number: **Des. 330,978**

Vasquez

[45] Date of Patent: **** Nov. 17, 1992**

[54] SEAT

[76] Inventor: **Gustavo A. Vasquez**, 1232 E. Wilhelmina St., Anaheim, Calif. 92805

[**] Term: **14 Years**

[21] Appl. No.: **494,519**

[22] Filed: **Mar. 16, 1990**

[52] U.S. Cl. **D6/349; D6/502; 297/DIG. 1; 297/DIG. 3; 297/217; 297/235; 297/460; 297/468**

[58] Field of Search **D6/340, 349, 502; 297/DIG. 1, DIG. 3, 217, 235, 460, 468**

[56] **References Cited**

U.S. PATENT DOCUMENTS

3,547,489	11/1968	Grieser	297/468
3,606,464	9/1971	Arbuthnot	297/460
3,633,519	1/1972	Nichol	297/217 X
4,189,181	2/1980	Noble et al.	D6/502 X
4,512,047	4/1985	Johnson	297/460 X

FOREIGN PATENT DOCUMENTS

2717268	10/1978	Fed. Rep. of Germany ...	297/DIG. 1
7621551	10/1978	Fed. Rep. of Germany ...	297/DIG. 3
933892	8/1963	United Kingdom	297/DIG. 1

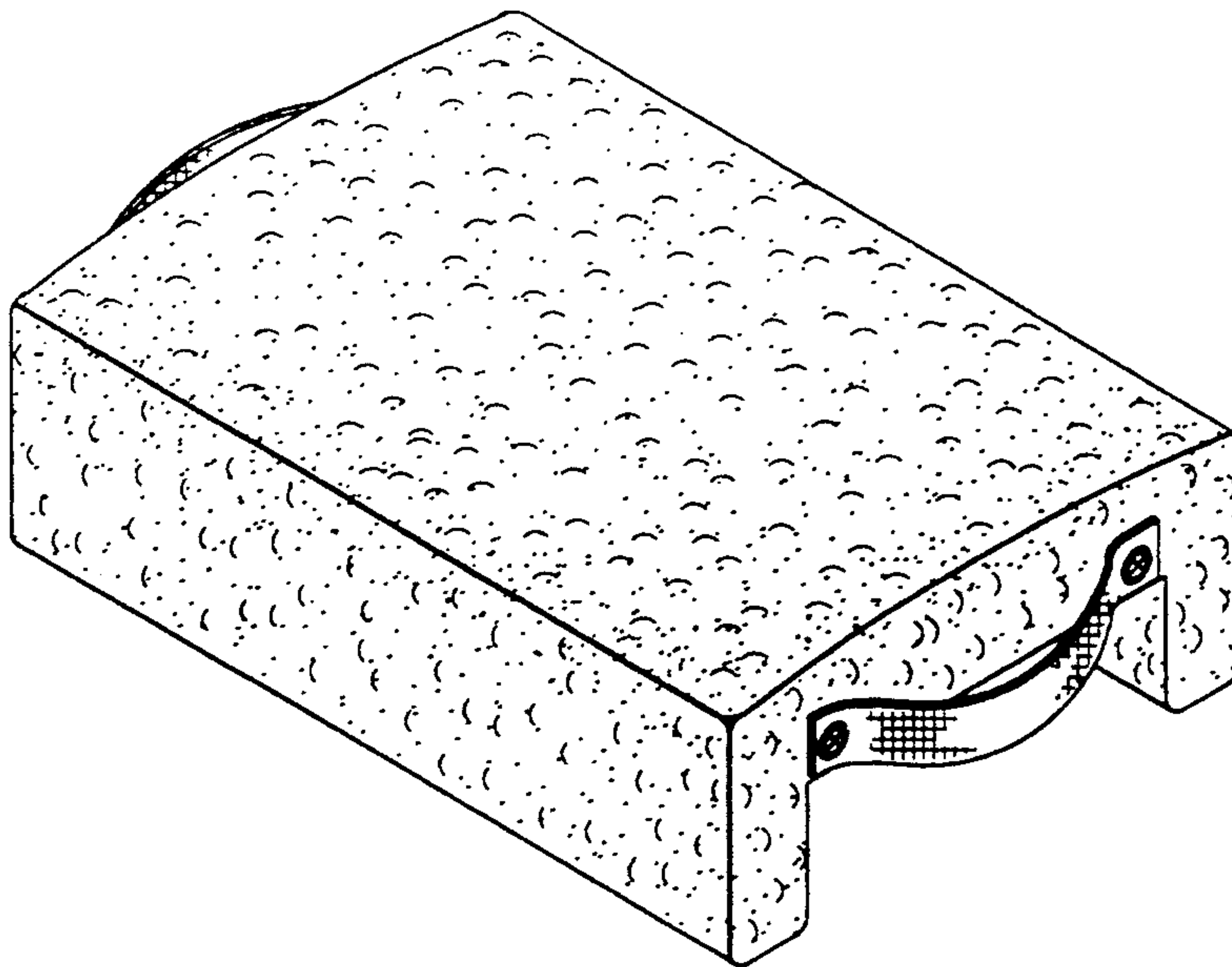
Primary Examiner—Donald P. Walsh
Assistant Examiner—Monica A. Hannon

[57] CLAIM

The ornamental design for an seat, as described and shown.

DESCRIPTION

FIG. 1 is a top perspective view of a seat showing my new design;
FIG. 2 is a bottom perspective view thereof;
FIG. 3 is a top perspective view with an alternate handle thereof; and,
FIG. 4 is a bottom perspective view with a handle as seen in FIG. 3 thereof.



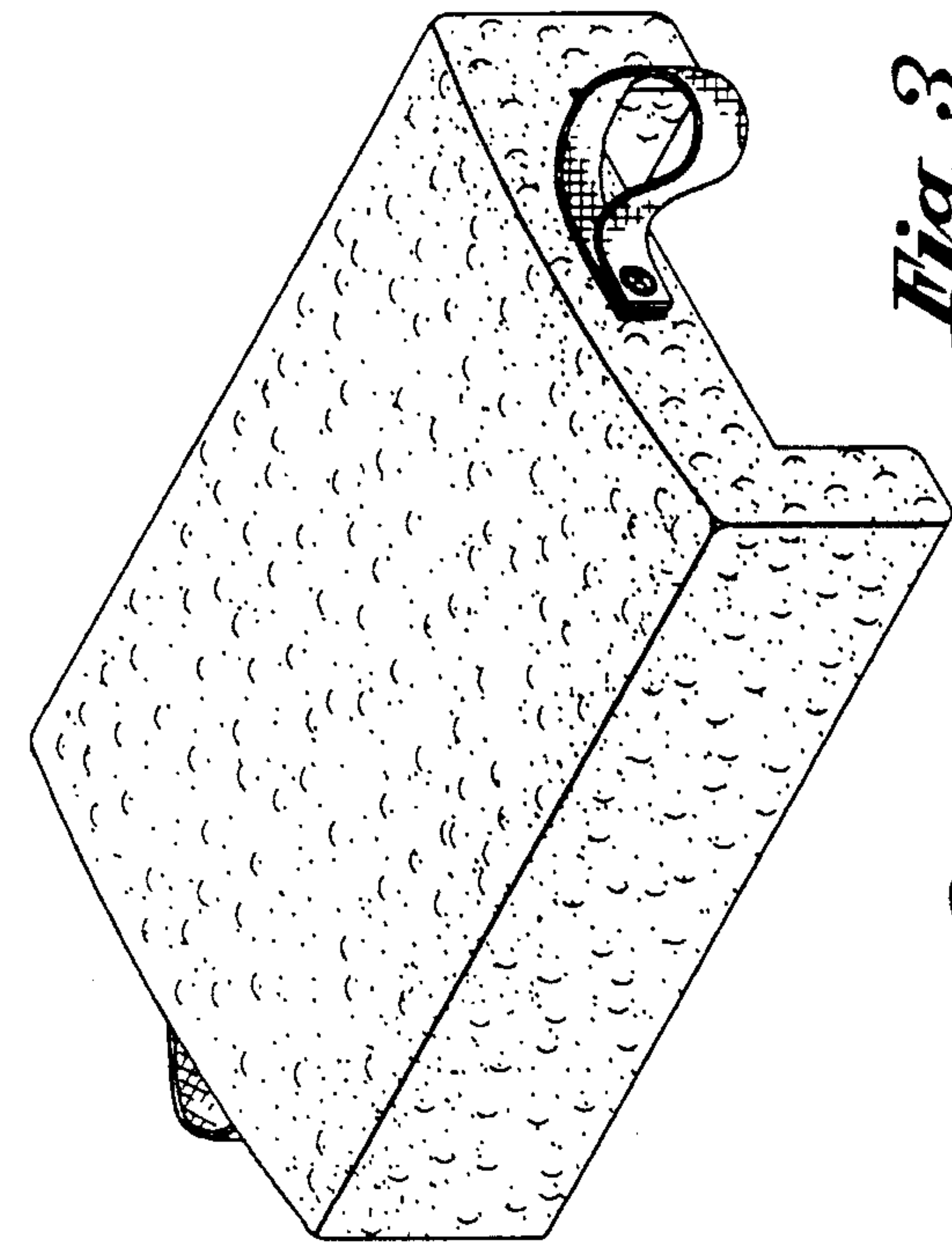


Fig. 1

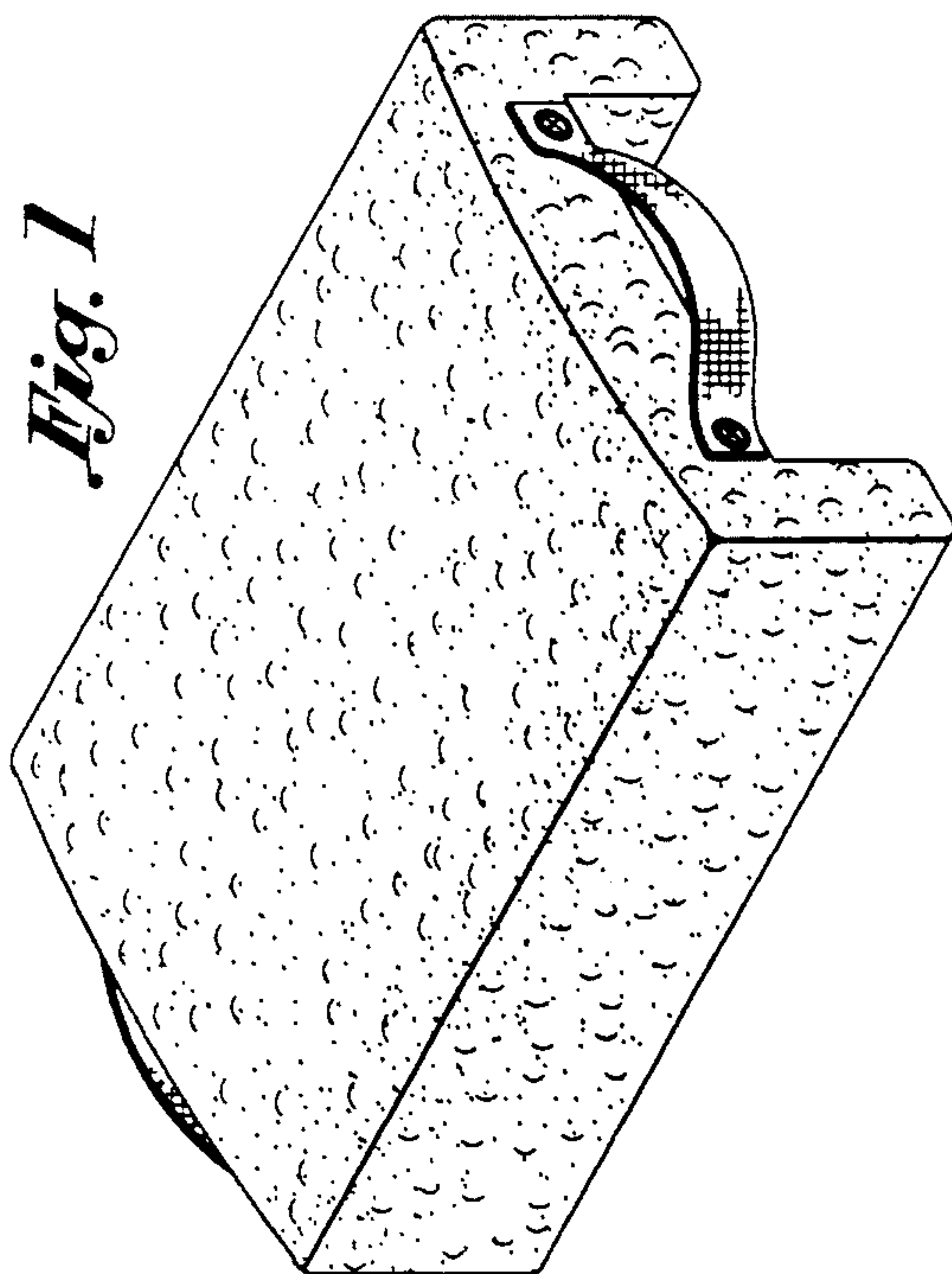


Fig. 2

Fig. 3

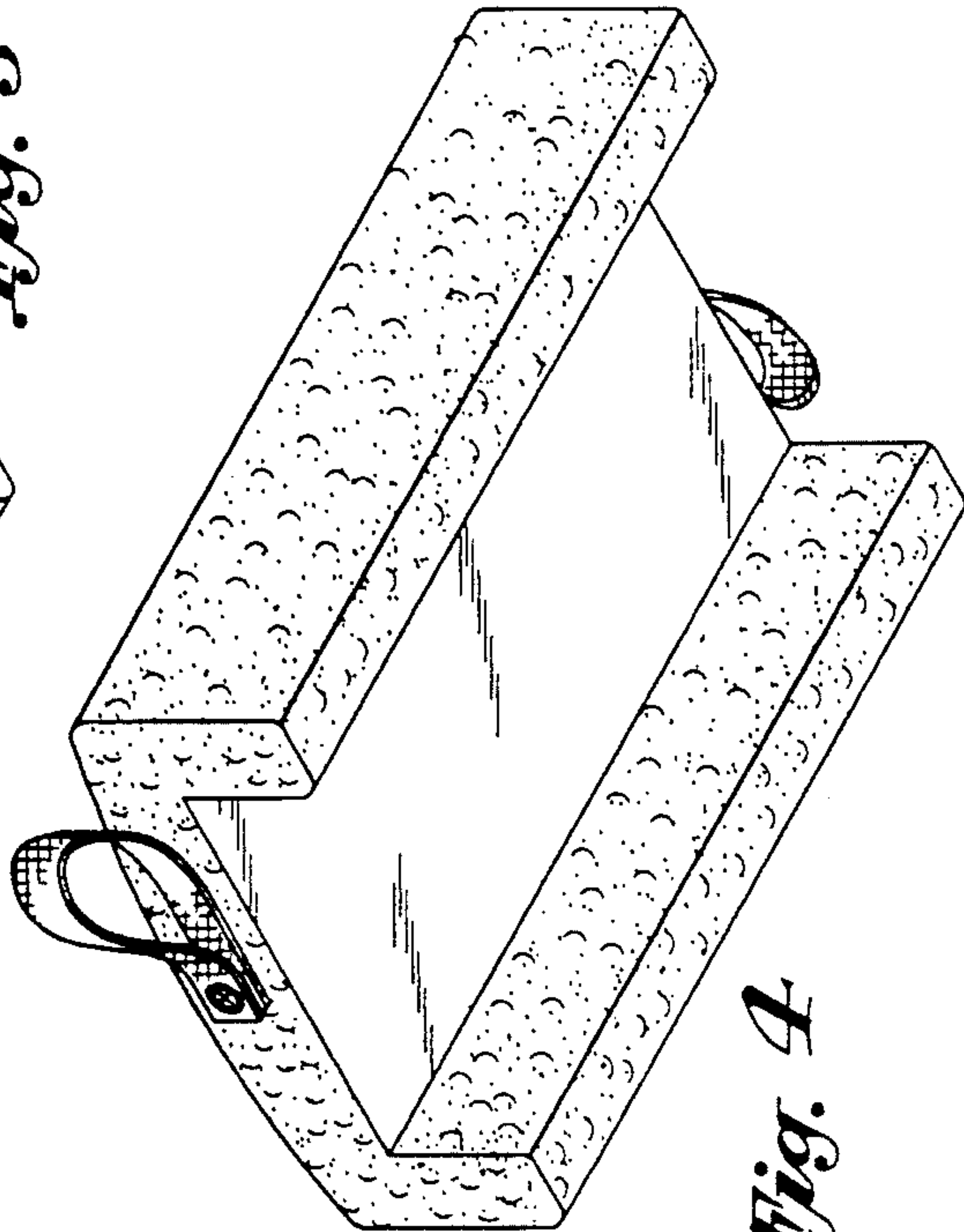


Fig. 4

