



US00D330975S

# United States Patent [19]

[11] Patent Number: **Des. 330,975**

Stafford

[45] Date of Patent: **\*\* Nov. 17, 1992**

[54] **CARRYING CASE**

3,710,900	1/1973	Fink	.....	D3/35 X
4,040,518	8/1977	Carter	.....	220/306 X
4,629,066	12/1986	Howard	.....	190/110 X

[76] Inventor: **Gregory F. Stafford**, 730 N. Hope Cir., Layton, Utah 84040

[\*\*] Term: **14 Years**

### OTHER PUBLICATIONS

[21] Appl. No.: **595,013**

Sportable Key Chains, G&DA, Jul. 1984, p. 346 lower right.

[22] Filed: **Oct. 10, 1990**

Trophies and Awards 1953 p. 49 #39 middle.

[52] U.S. Cl. .... **D3/35; D3/74**

*Primary Examiner*—A. Hugo Word

[58] Field of Search ..... **D3/74, 35, 30.1; 190/110; D11/157, 81, 48; 220/306; D8/305**

*Assistant Examiner*—Paula A. Mortimer

*Attorney, Agent, or Firm*—Terry M. Gernstein

[56] **References Cited**

[57] **CLAIM**

### U.S. PATENT DOCUMENTS

The ornamental design for a carrying case, as shown and described.

- D. 180,990 9/1957 Basaldella ..... D8/305
- D. 216,928 3/1970 Olson ..... D3/74
- D. 230,528 2/1974 Berkman ..... D3/74 X
- D. 239,864 4/1976 Savoy ..... D3/74 X
- D. 246,982 1/1978 Hamilton .
- D. 249,393 9/1978 Winther .
- D. 256,522 8/1980 Peterson ..... D3/74
- D. 266,526 10/1982 Raine .
- D. 276,762 12/1984 Parrochia ..... D8/305 X
- D. 309,981 8/1990 French et al. .... D3/30.1 X
- 3,381,782 5/1968 Ikelheimer ..... 190/110 X

### DESCRIPTION

FIG. 1 is a front perspective view of a carrying case in an open position showing my new design; FIG. 2 is a front elevational view thereof; FIG. 3 is a rear elevational view thereof; FIG. 4 is an end elevational view thereof; FIG. 5 is an opposite end elevational view thereof; FIG. 6 is a top plan view thereof; and FIG. 7 is a bottom plan view thereof.

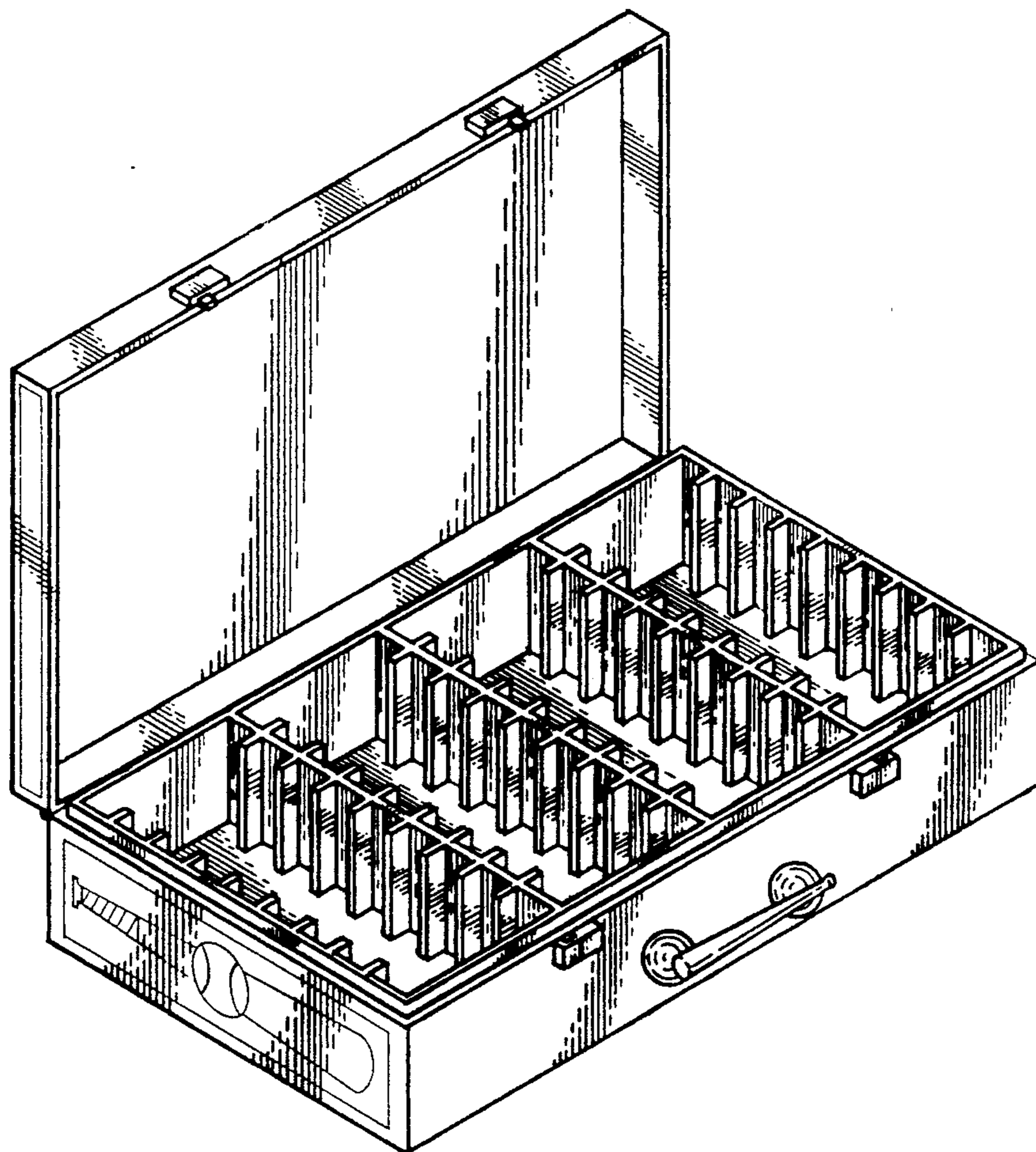
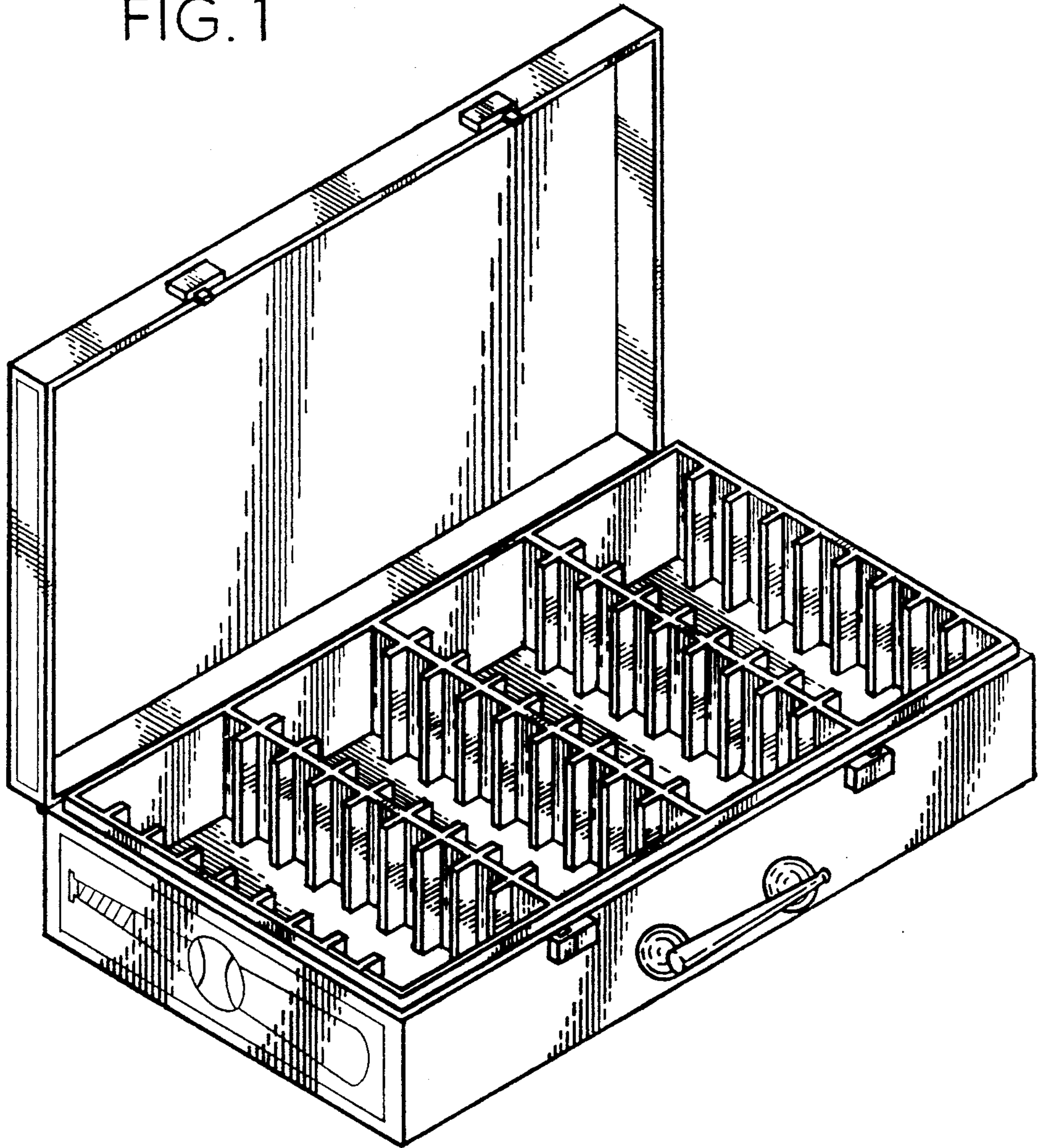


FIG. 1



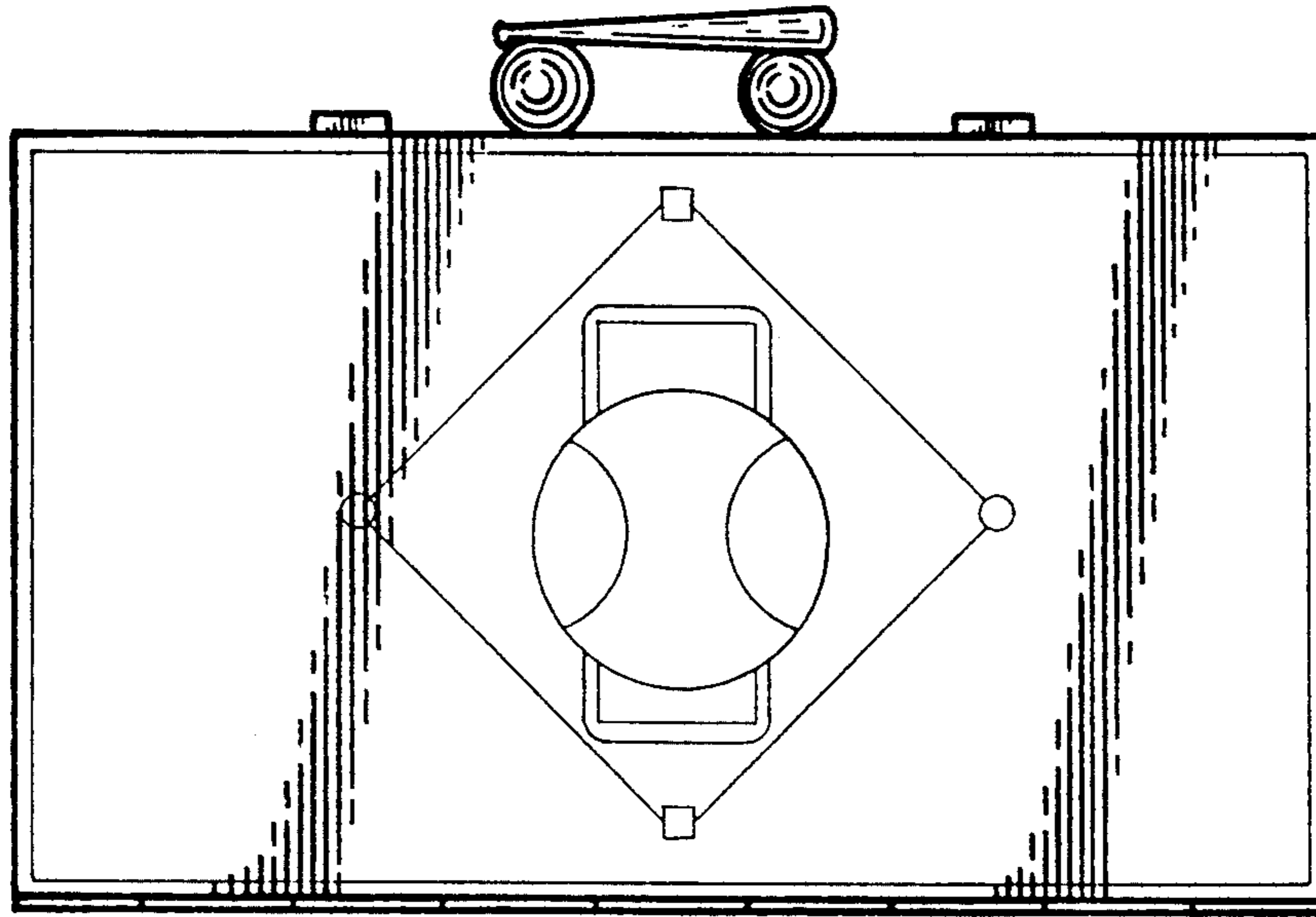


FIG. 2

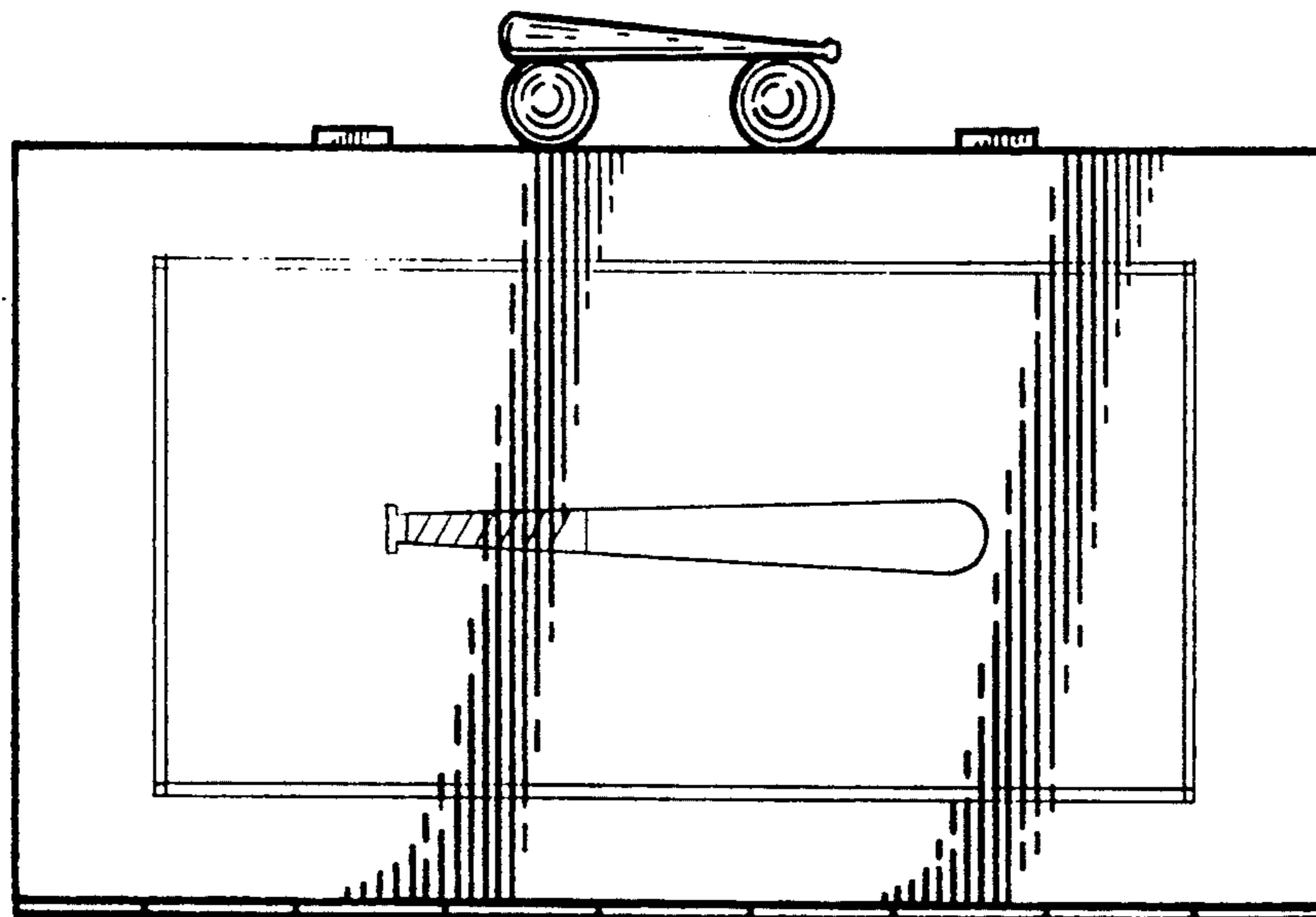


FIG. 3

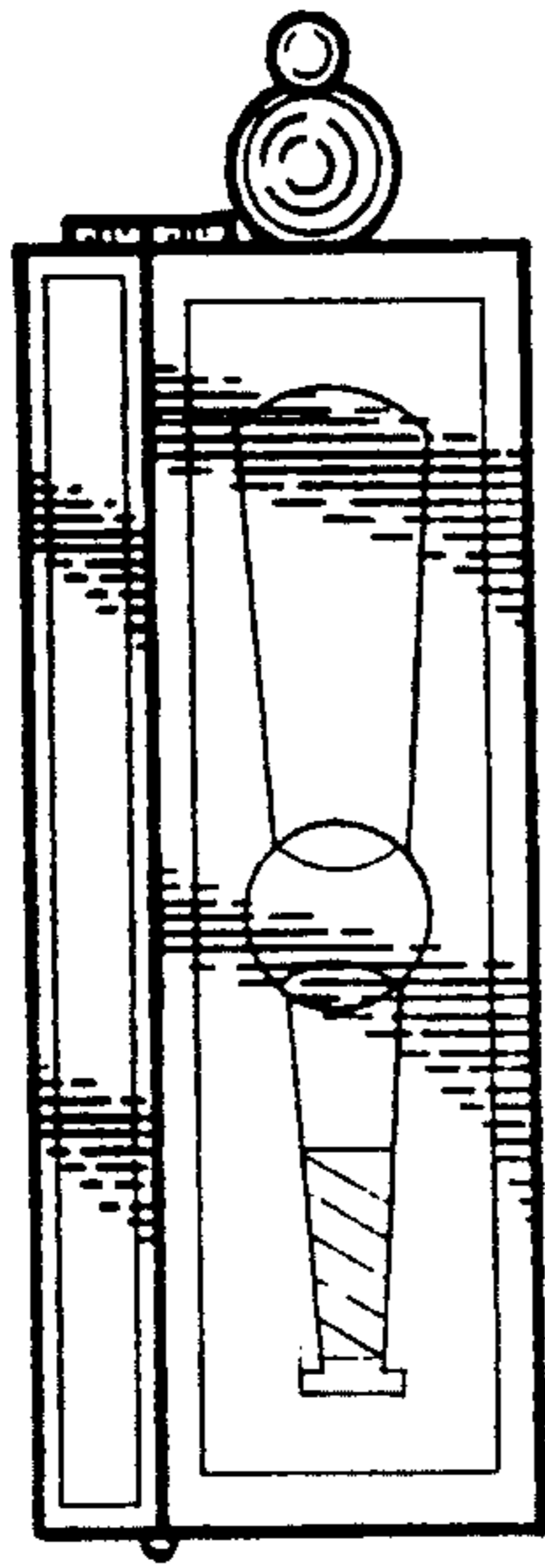


FIG. 4

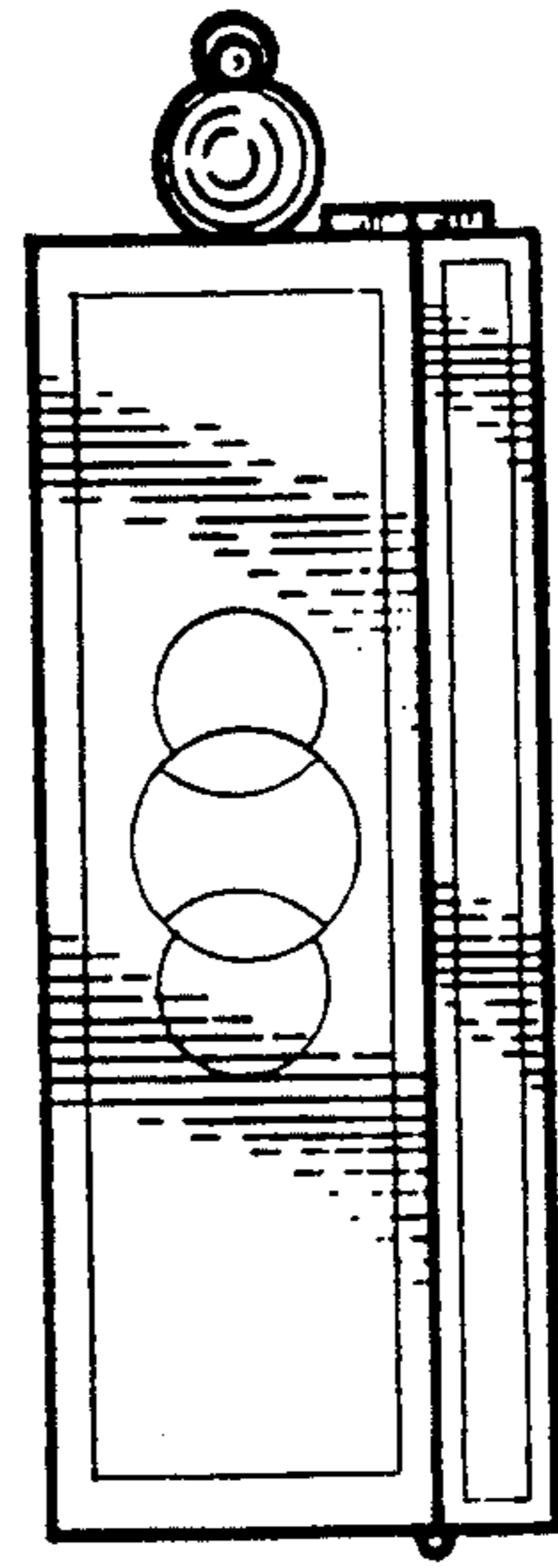


FIG. 5

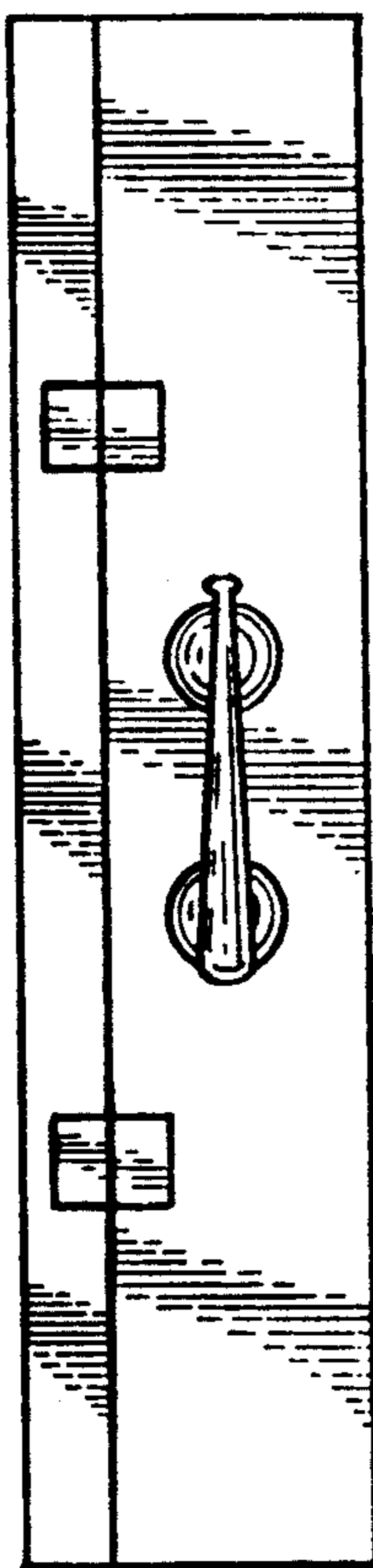


FIG. 6

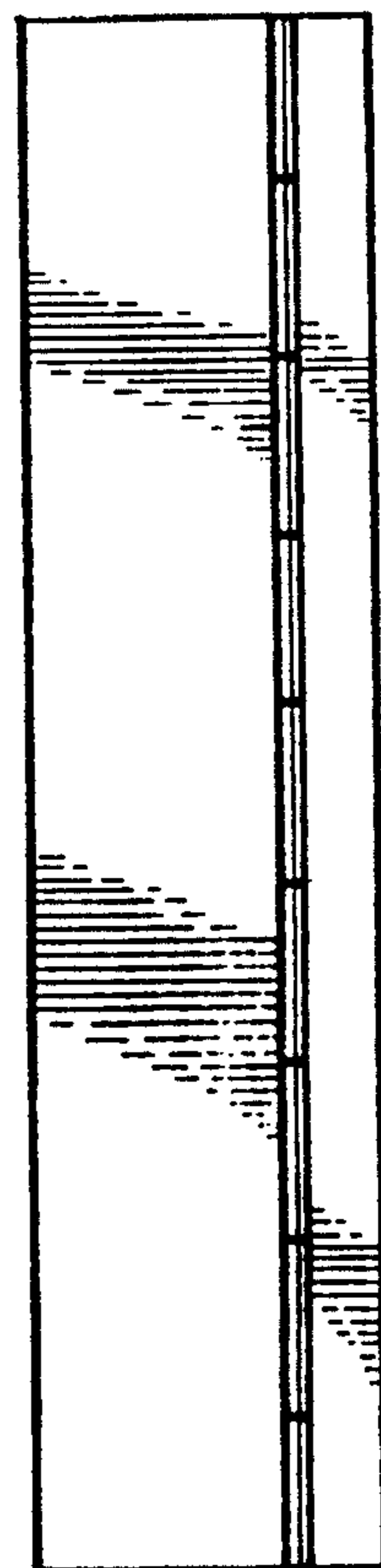


FIG. 7