



US00D330955S

United States Patent [19]

[11] Patent Number: **Des. 330,955**

Humphries

[45] Date of Patent: **** Nov. 10, 1992**

[54] **COMBINED MULTIPLE COMPARTMENT TRASH CONTAINER AND BASE THEREFOR**

partment trash container and base therefor, as shown and described.

[76] Inventor: **Rick Humphries, 7901 Thayer Dr., Fort Smith, Ark. 72903**

DESCRIPTION

[**] Term: **14 Years**

FIG. 1 is an exploded perspective view of a combined multiple compartment trash container and base therefor showing my new design, the base is omitted for clarity of illustration;

[21] Appl. No.: **486,190**

FIG. 2 is a side elevational view of FIG. 1, the opposite side elevational view being a mirror image of that shown;

[22] Filed: **Feb. 28, 1990**

[52] U.S. Cl. **D34/7; D34/1**

[58] Field of Search **D34/1, 7, 11; 220/908, 220/909, 910, 23.4, 23.83, 404, 401, 500, 507; D9/341-348**

FIG. 3 is a top plan view of FIG. 1; FIG. 4 is a bottom plan view of the multiple compartment trash container;

[56] **References Cited**

U.S. PATENT DOCUMENTS

D. 319,126	8/1991	Blackman	D34/1
3,384,260	5/1968	Buffington	220/23.83
4,403,483	9/1983	Lisalda	62/457
4,660,758	4/1987	Tavel	.	
4,729,489	3/1988	Papaianni	.	
4,750,639	6/1988	Schaerer	.	
4,834,253	5/1989	Crine	220/23.83

FIG. 5 is a top perspective view of an insert of the multiple compartment trash container;

FIG. 6 is a side elevational view of FIG. 5, the opposite side elevational view being a mirror image of that shown;

Primary Examiner—Kay H. Chin

Attorney, Agent, or Firm—Terry M. Gernstein

FIG. 7 is a top plan view of FIG. 5, the bottom is flat and unornamented;

FIG. 8 is a top perspective view of the base, the multiple compartment trash container is omitted for clarity of illustration;

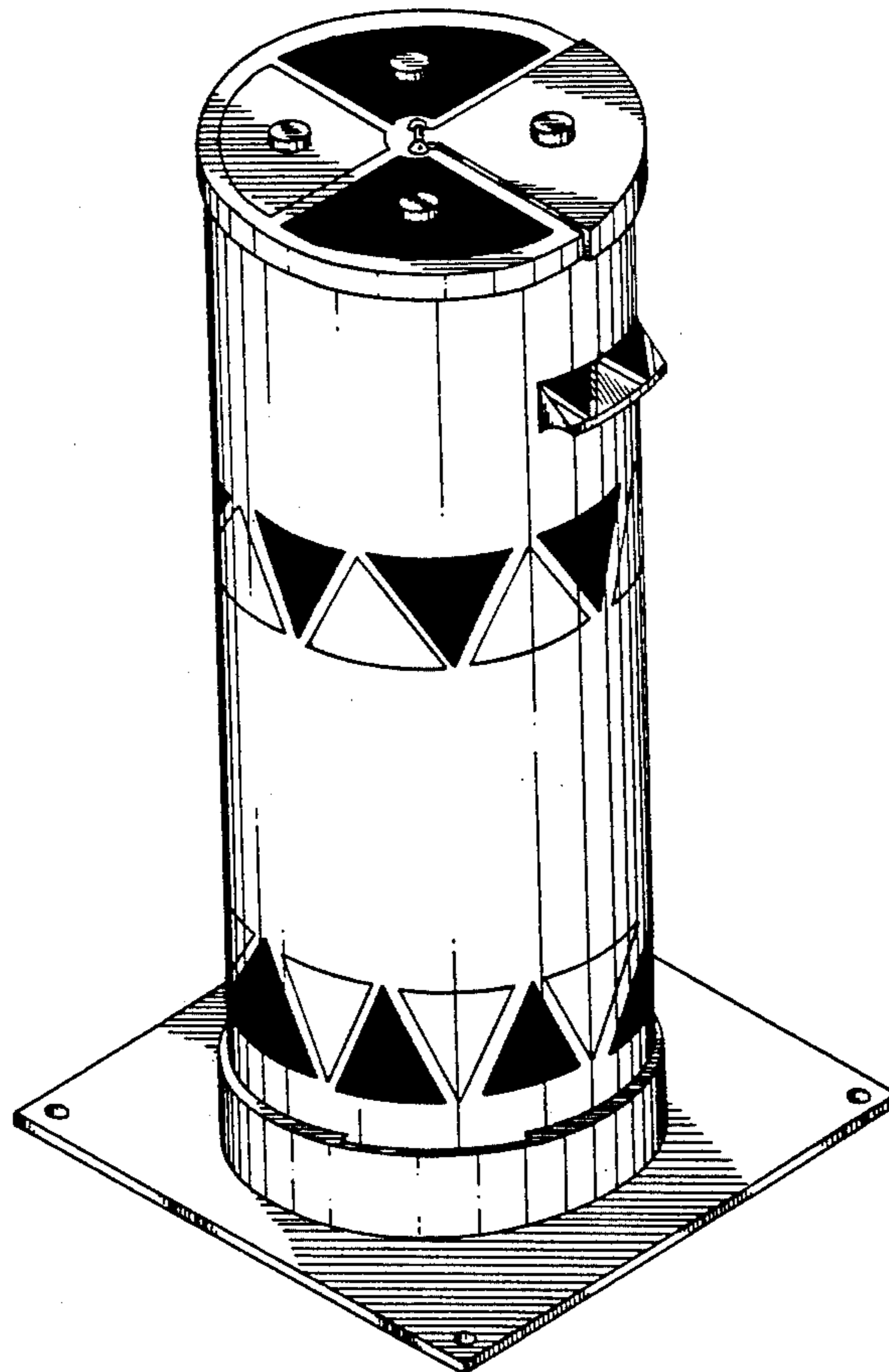
[57] **CLAIM**

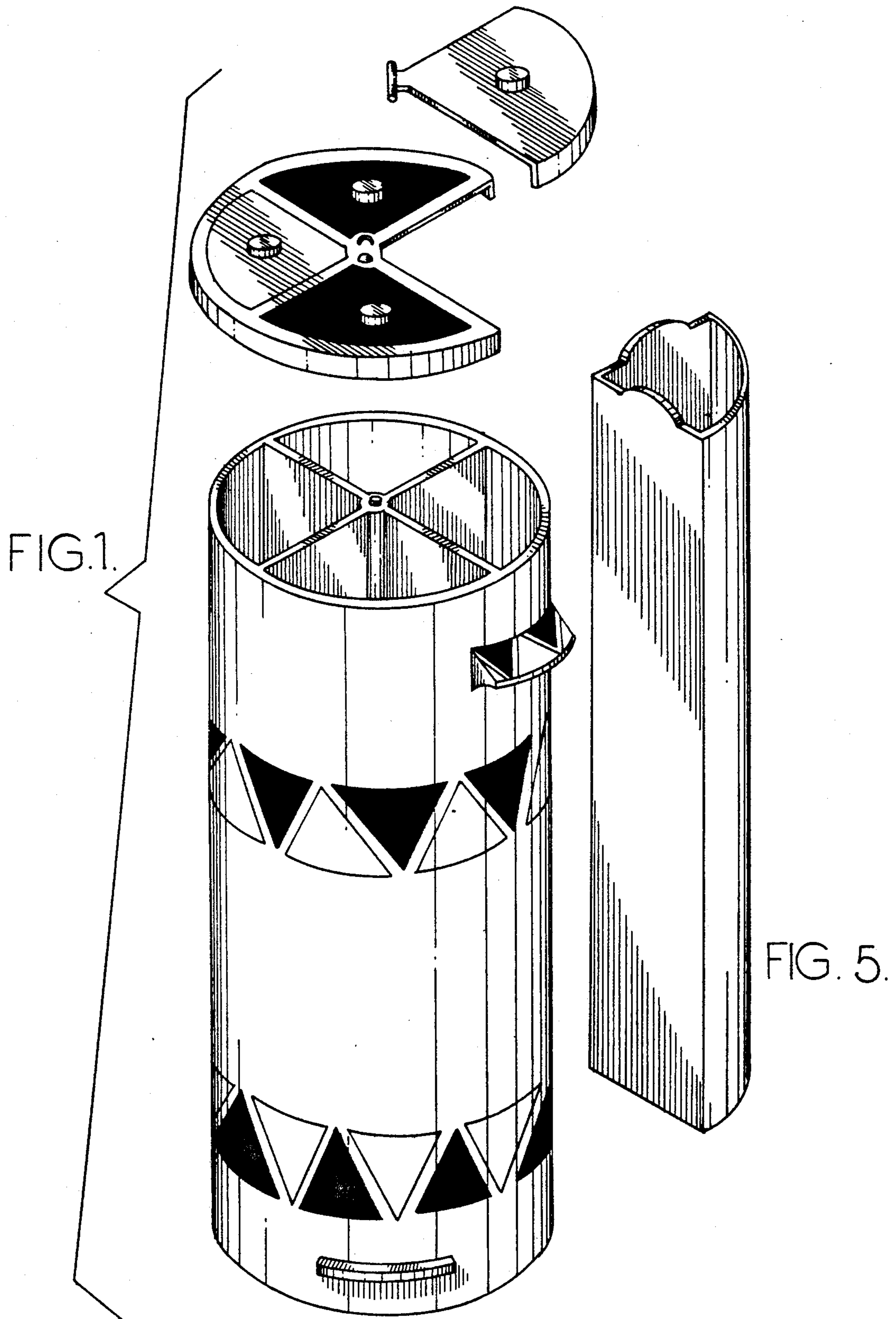
The ornamental design for a combined multiple com-

FIG. 9 is a side elevational view of FIG. 8;

FIG. 10 is a top plan view of FIG. 8, the bottom is flat and unornamented; and,

FIG. 11 is a top perspective view thereof.





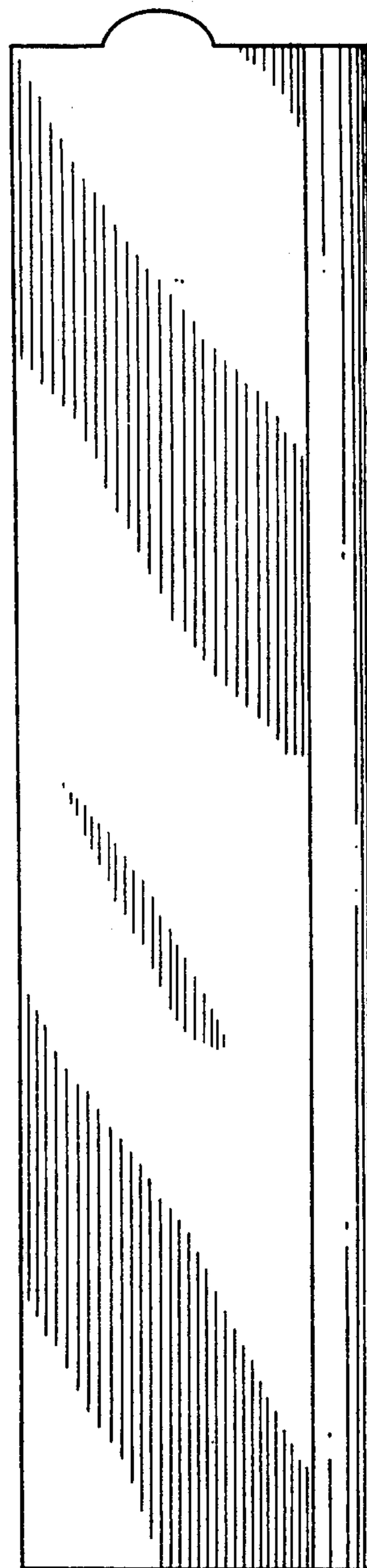
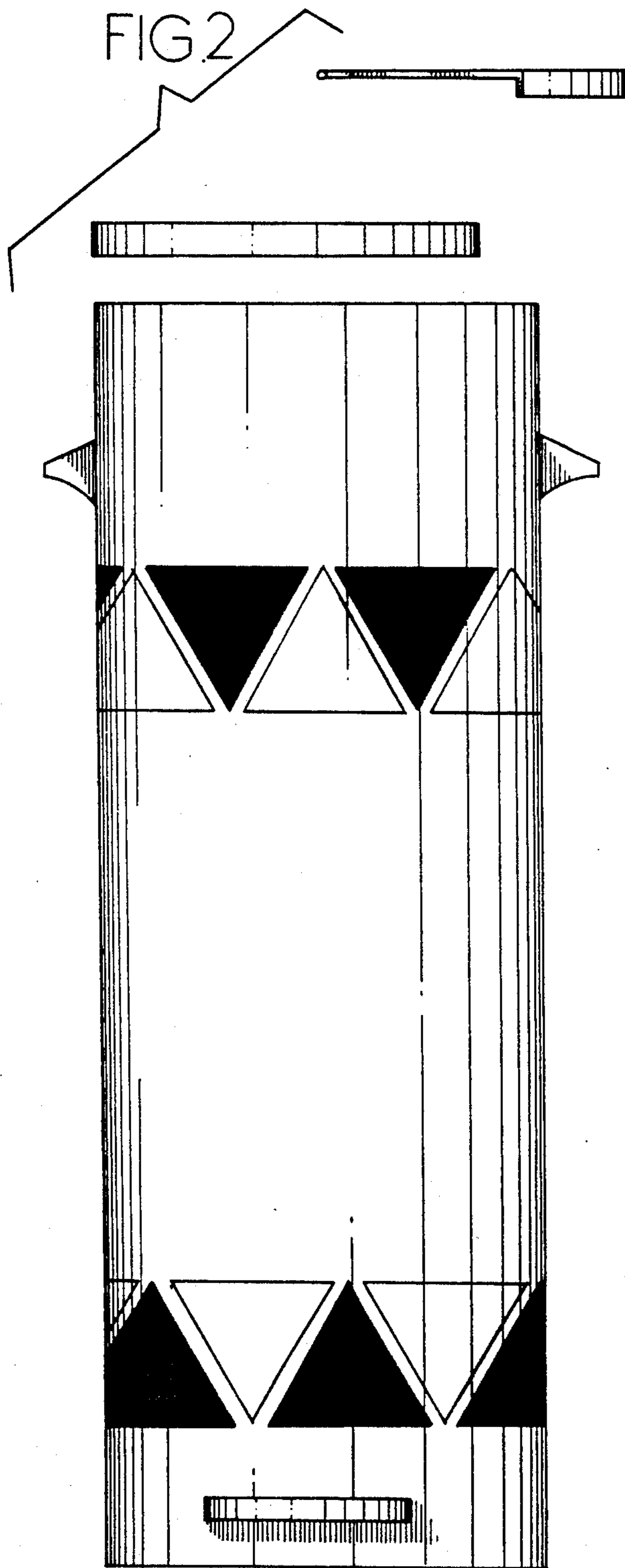


FIG. 6.

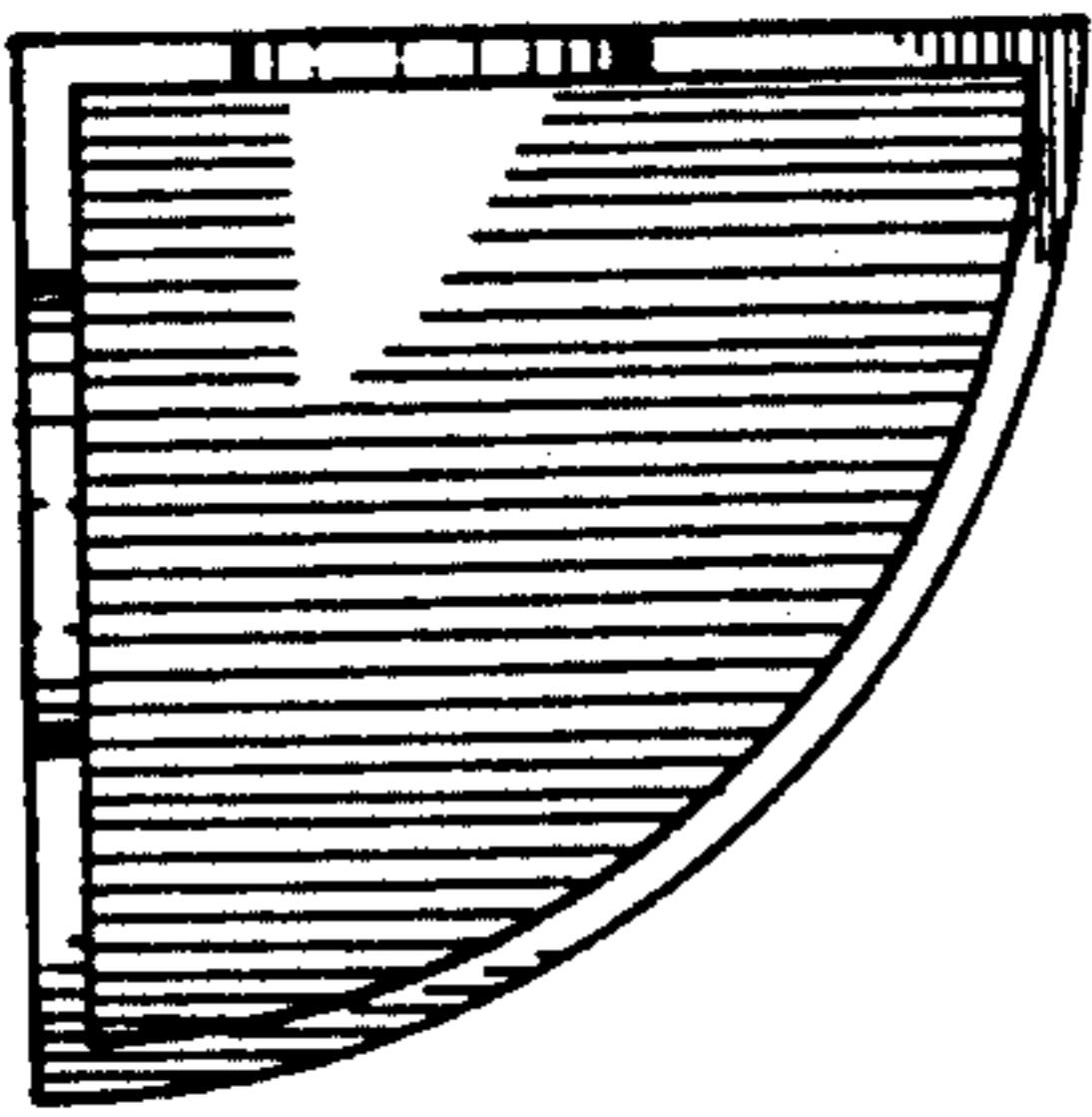


FIG. 7.

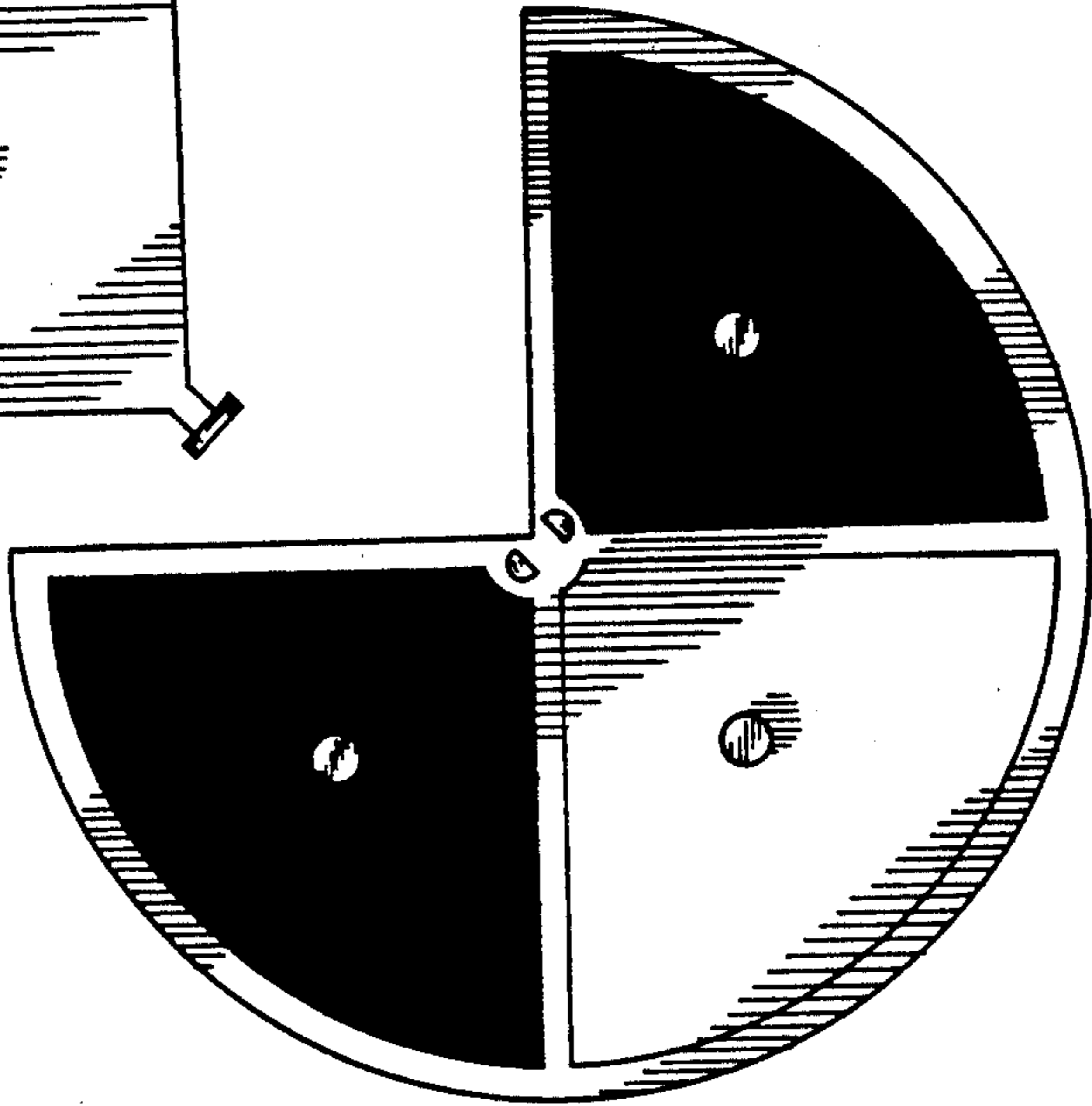
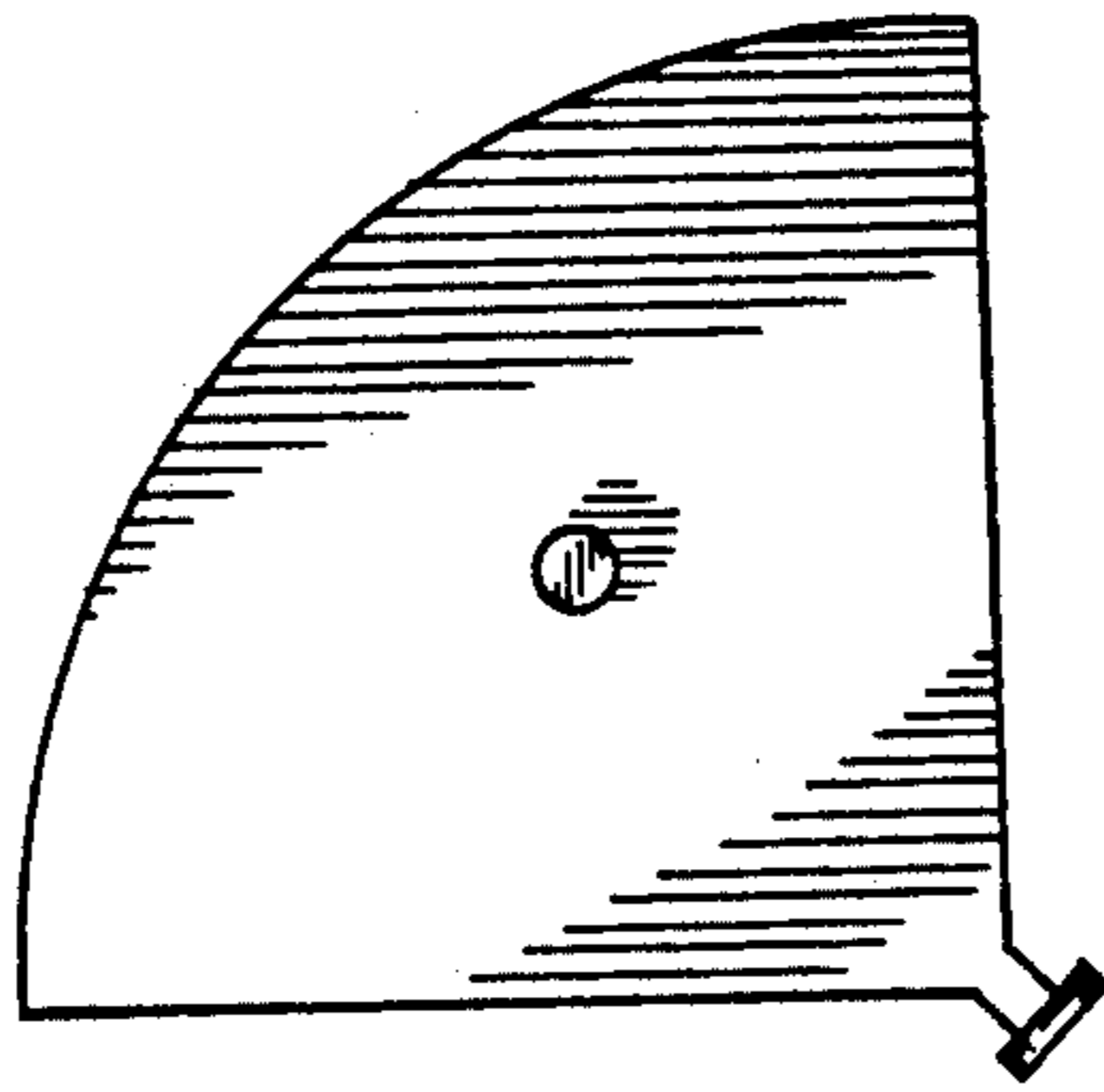


FIG. 3.

FIG. 4.

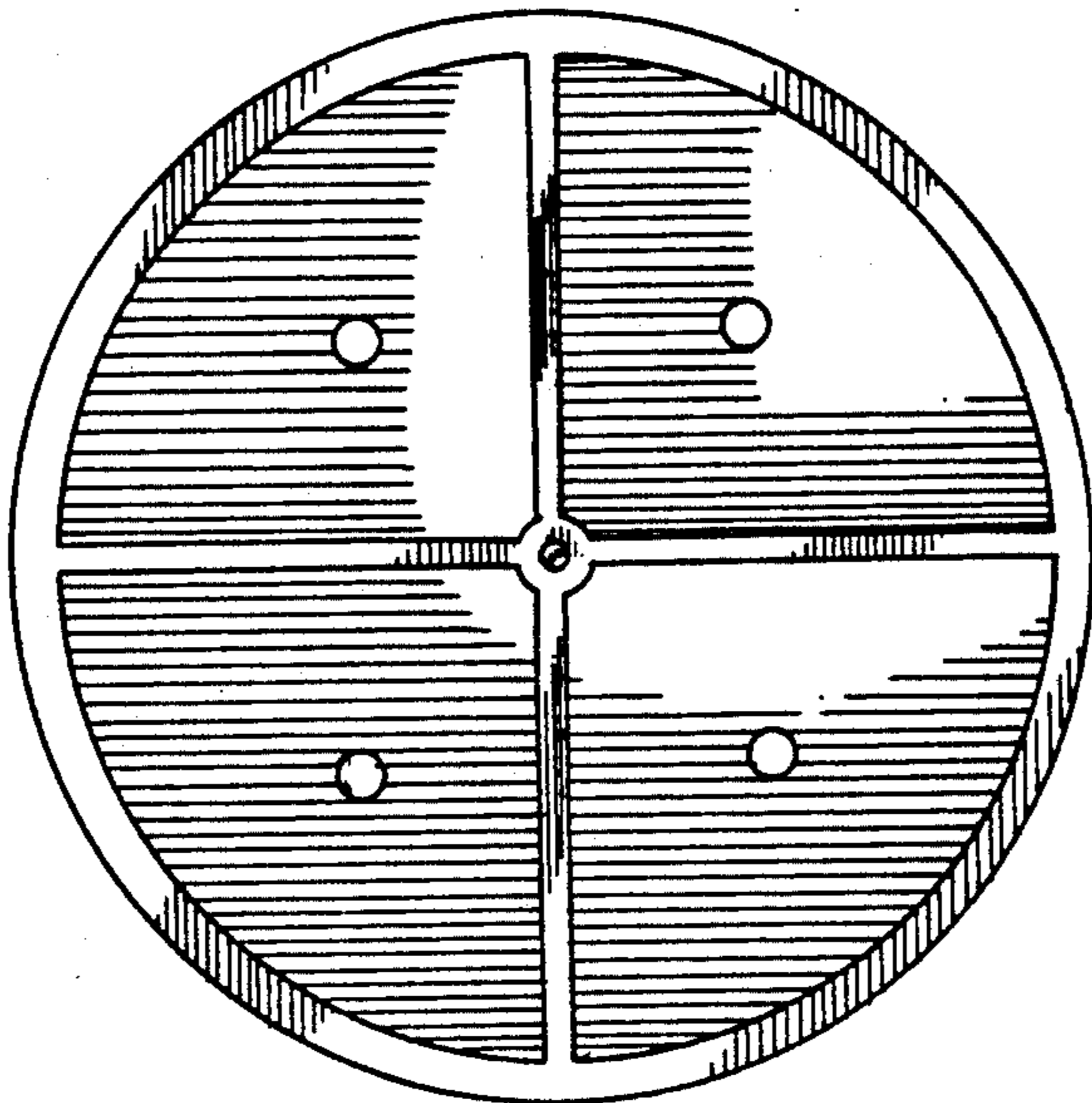


FIG. 9.

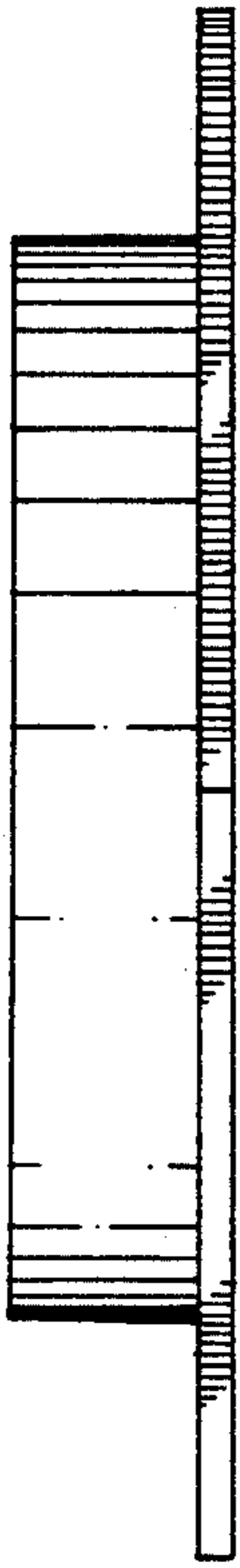


FIG. 10.

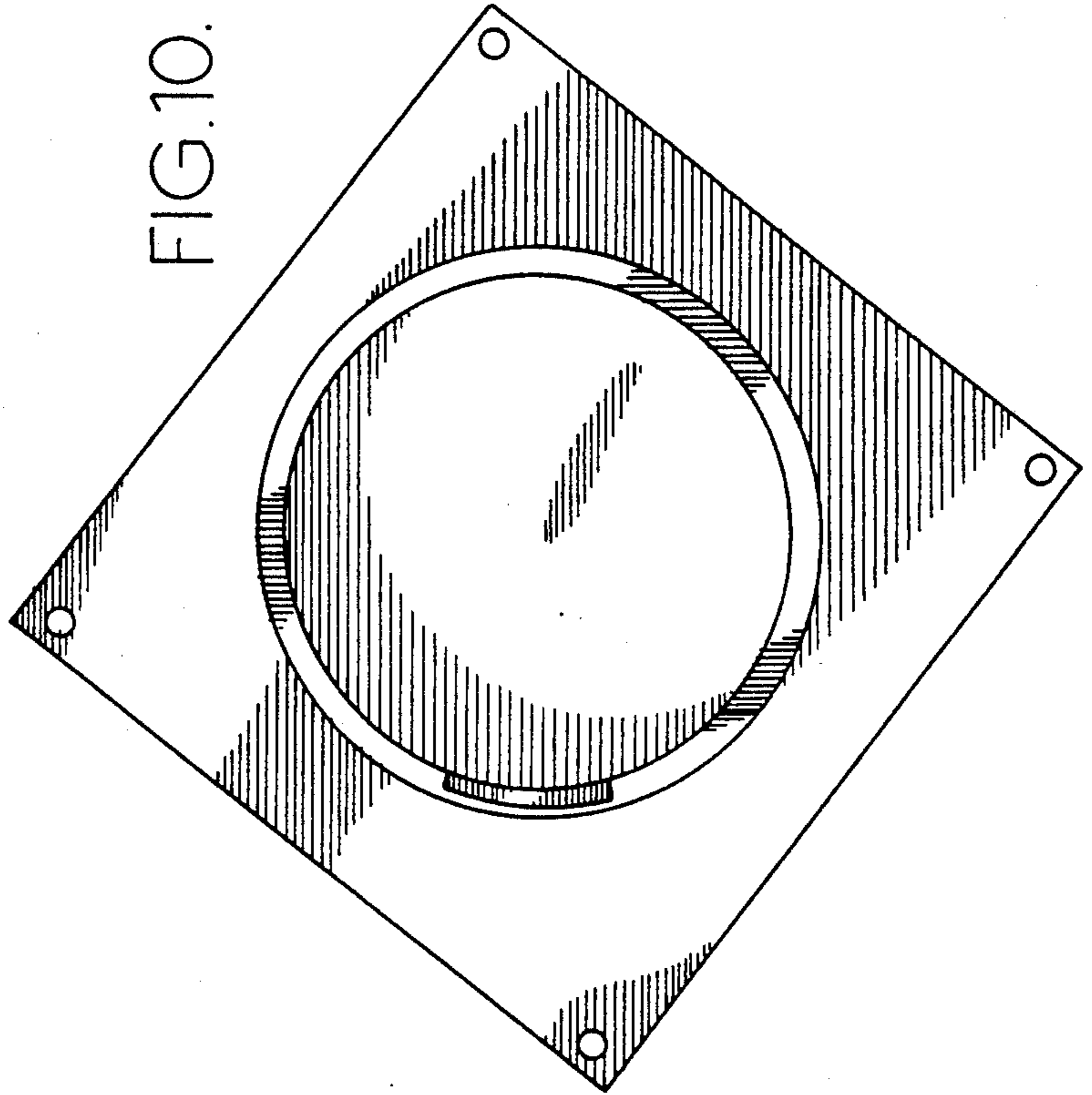
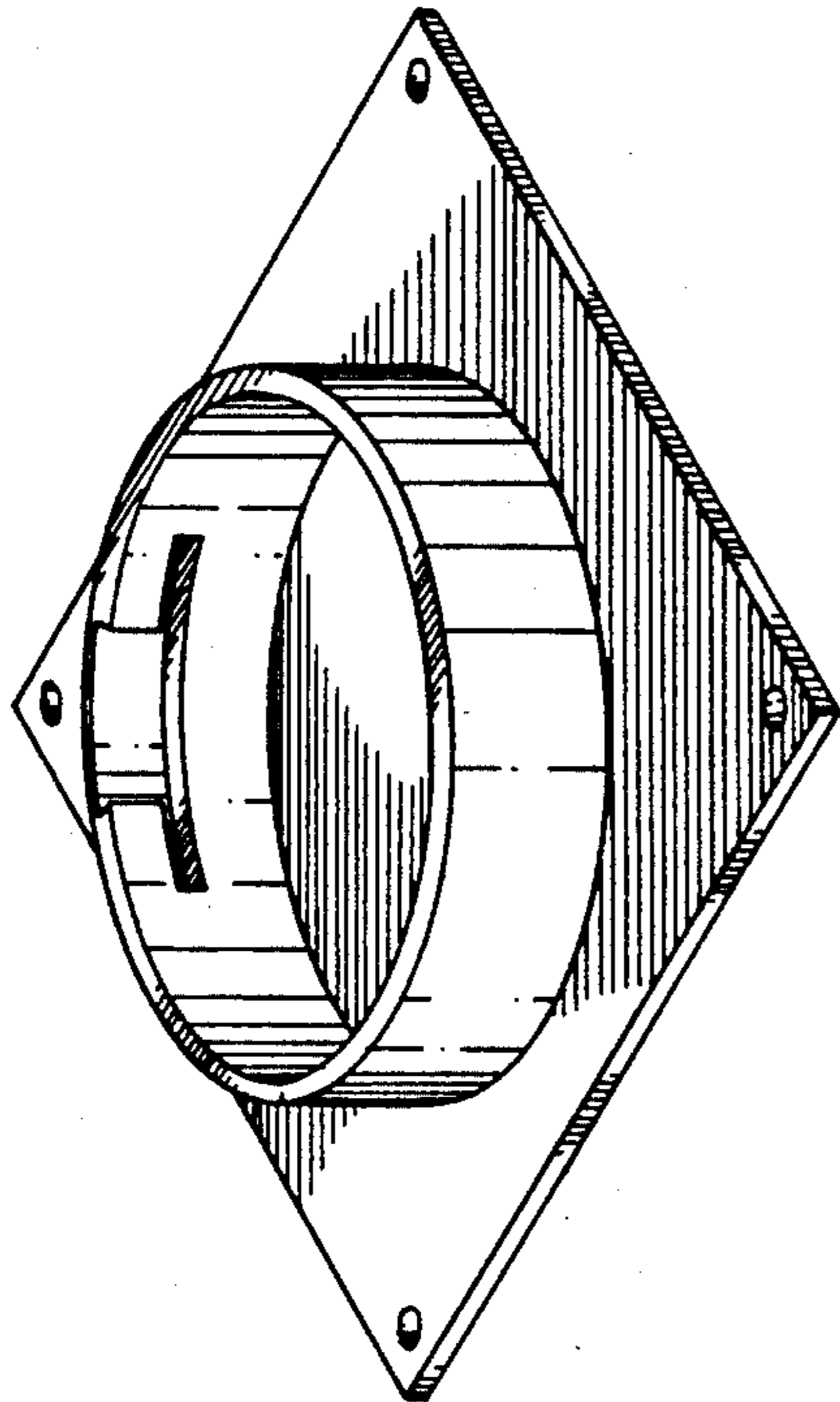


FIG. 8.



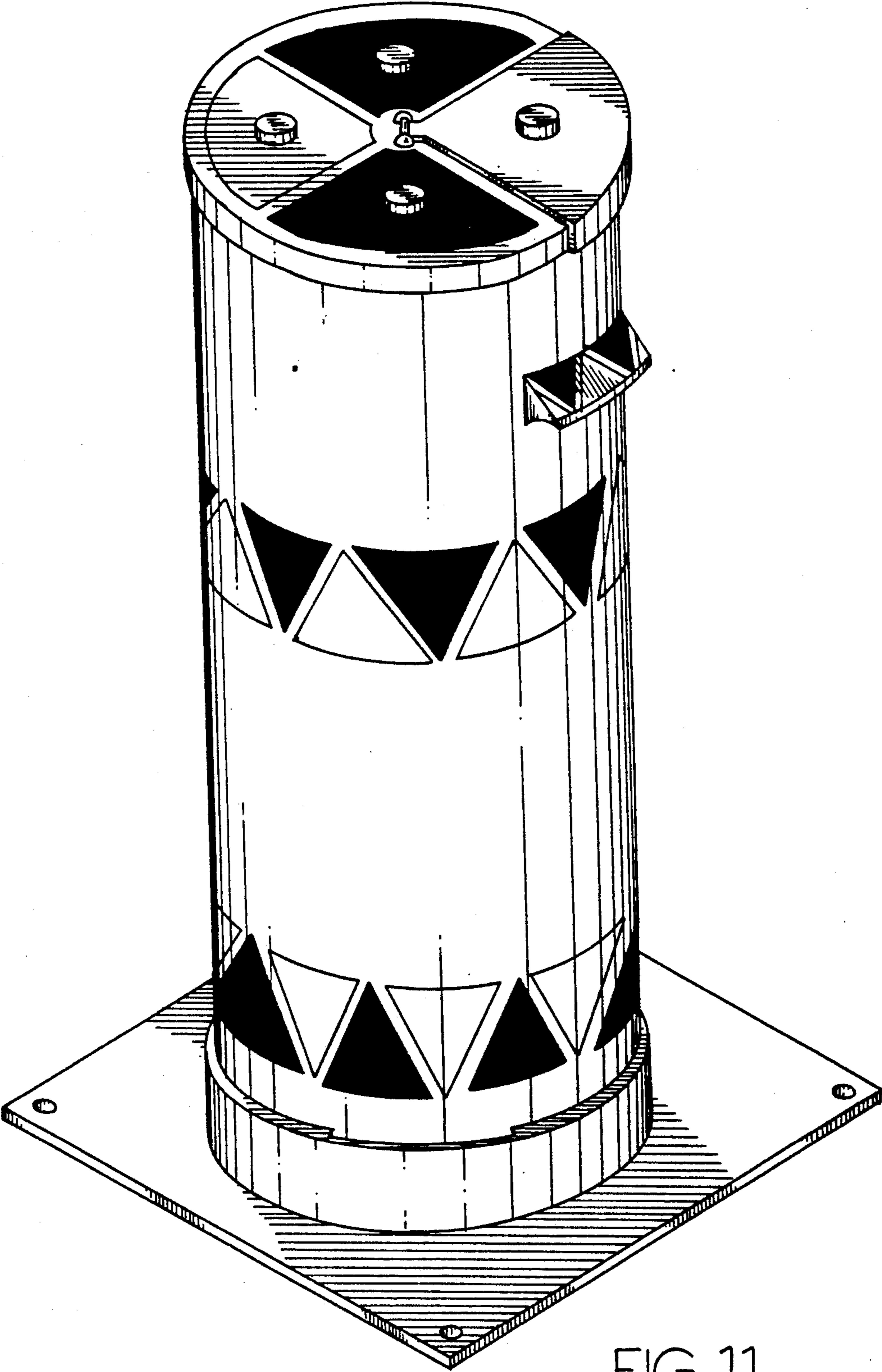


FIG. 11.