



US00D330953S

# United States Patent [19]

[11] Patent Number: **Des. 330,953**

Schneider

[45] Date of Patent: **\*\* Nov. 10, 1992**

[54] **HANGING BIRD FEEDER FOR FRUIT AND VEGETABLES**

### FOREIGN PATENT DOCUMENTS

0410220 5/1934 United Kingdom ..... 119/57.8

[76] Inventor: **Paul Schneider, 2604 N. Huebner, Oconomowoc, Wis. 53066**

### OTHER PUBLICATIONS

Signatures Advertisement; Hanging Bird Feeder for Apples or Birdseed Ball.  
Duncraft For The Birds Catalog; Item #503 Svet Cake Feeder.  
Duncraft For the Birds Catalog; Item #731 Fruit Kabob.

[\*\*] Term: **14 Years**

[21] Appl. No.: **517,595**

*Primary Examiner*—A. Hugo Word  
*Assistant Examiner*—Cathy Anne MacCormac  
*Attorney, Agent, or Firm*—Foley & Lardner

[22] Filed: **May 2, 1990**

[52] U.S. Cl. .... **D30/124**

[58] Field of Search ..... 119/51.03, 52.2, 57.4, 119/57.8, 57.9, 61, 69.5, 72, 77; D30/121-128, 132-133

### [57] CLAIM

The ornamental design for a hanging bird feeder for fruit and vegetables, as shown and described.

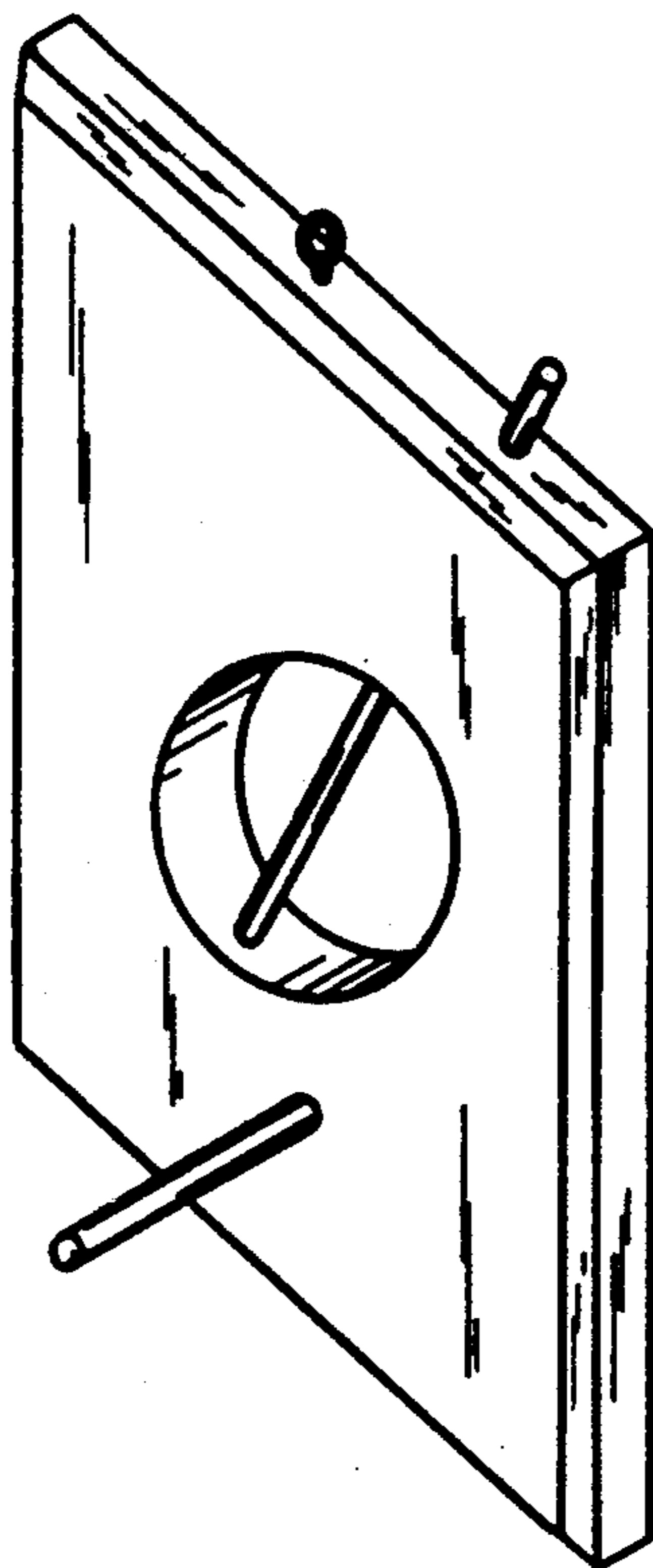
### [56] References Cited

#### U.S. PATENT DOCUMENTS

D. 92,107	4/1934	Proctor	.....	D30/124
1,369,079	2/1921	Boothe	.....	119/51.03
1,596,333	8/1926	Boyle	.....	119/51.03
1,954,286	4/1934	Dercum	.....	D30/124
3,175,536	3/1965	Hilaire	.....	119/51.03
3,182,635	5/1965	Waite	.....	119/57.8
3,948,220	4/1976	Fiedler	.....	119/51.03
4,104,987	8/1978	Winston	.....	119/57.8

### DESCRIPTION

FIG. 1 is a right side perspective view of a hanging bird feeder showing my new design;  
FIG. 2 is a front elevational view thereof;  
FIG. 3 is a right side elevational view thereof;  
FIG. 4 is a left side elevational view thereof;  
FIG. 5 is a rear elevational view thereof;  
FIG. 6 is a top plan view thereof; and,  
FIG. 7 is a bottom plan view thereof.



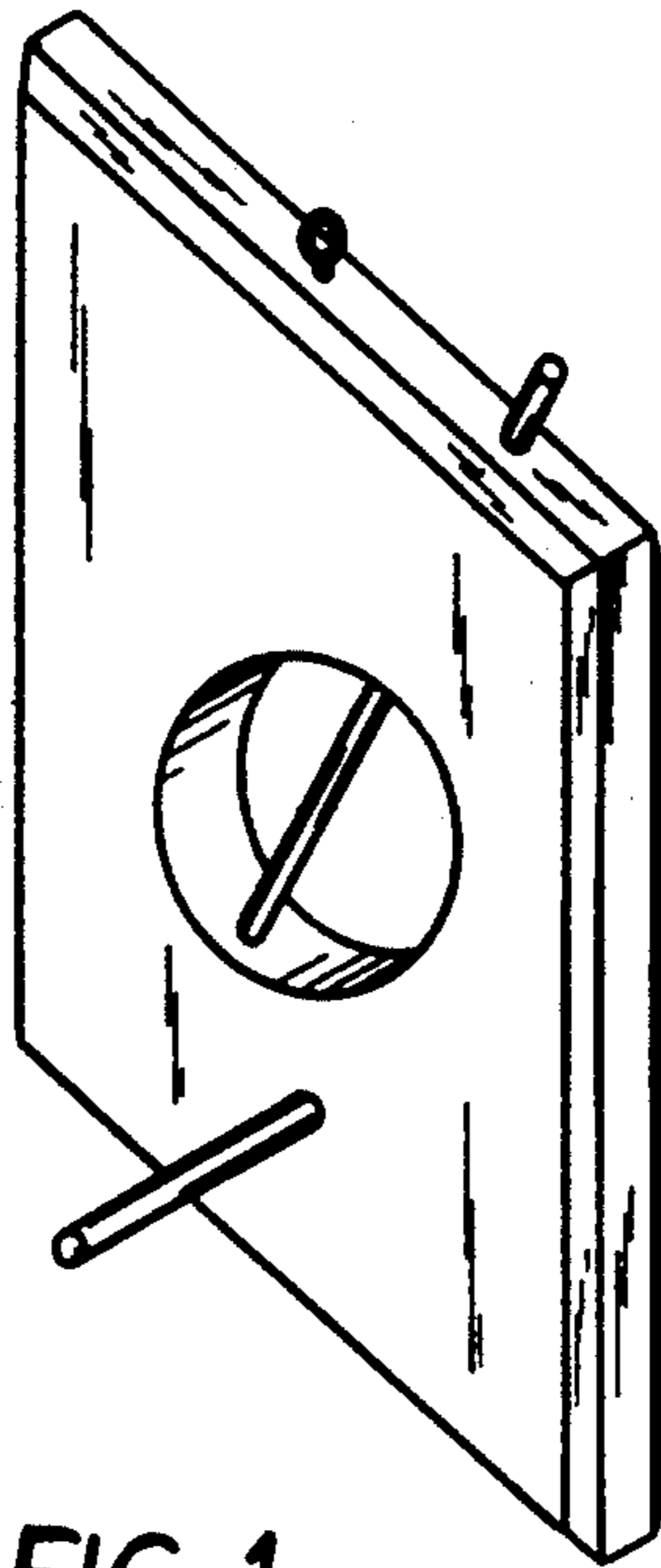


FIG. 1

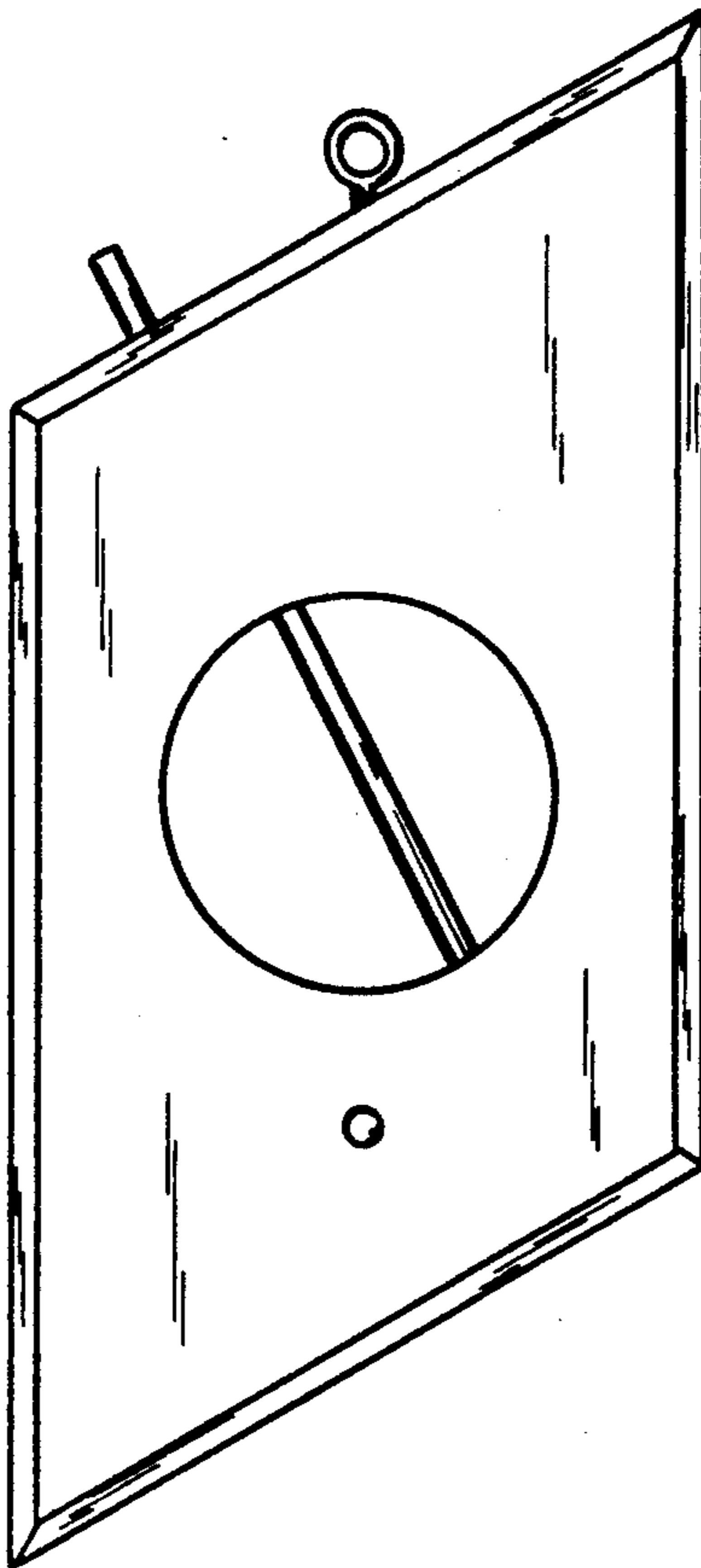


FIG. 5

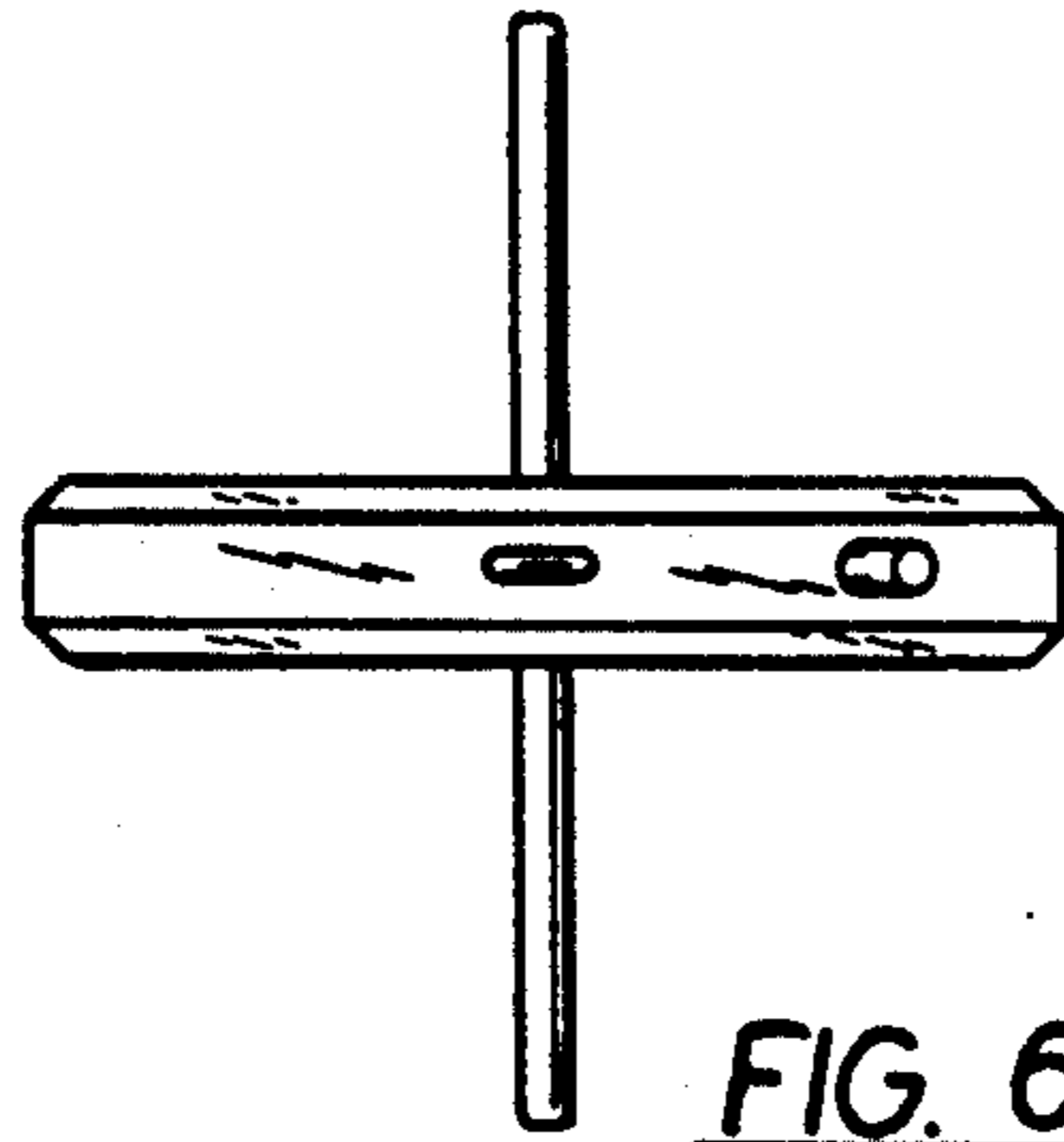


FIG. 6

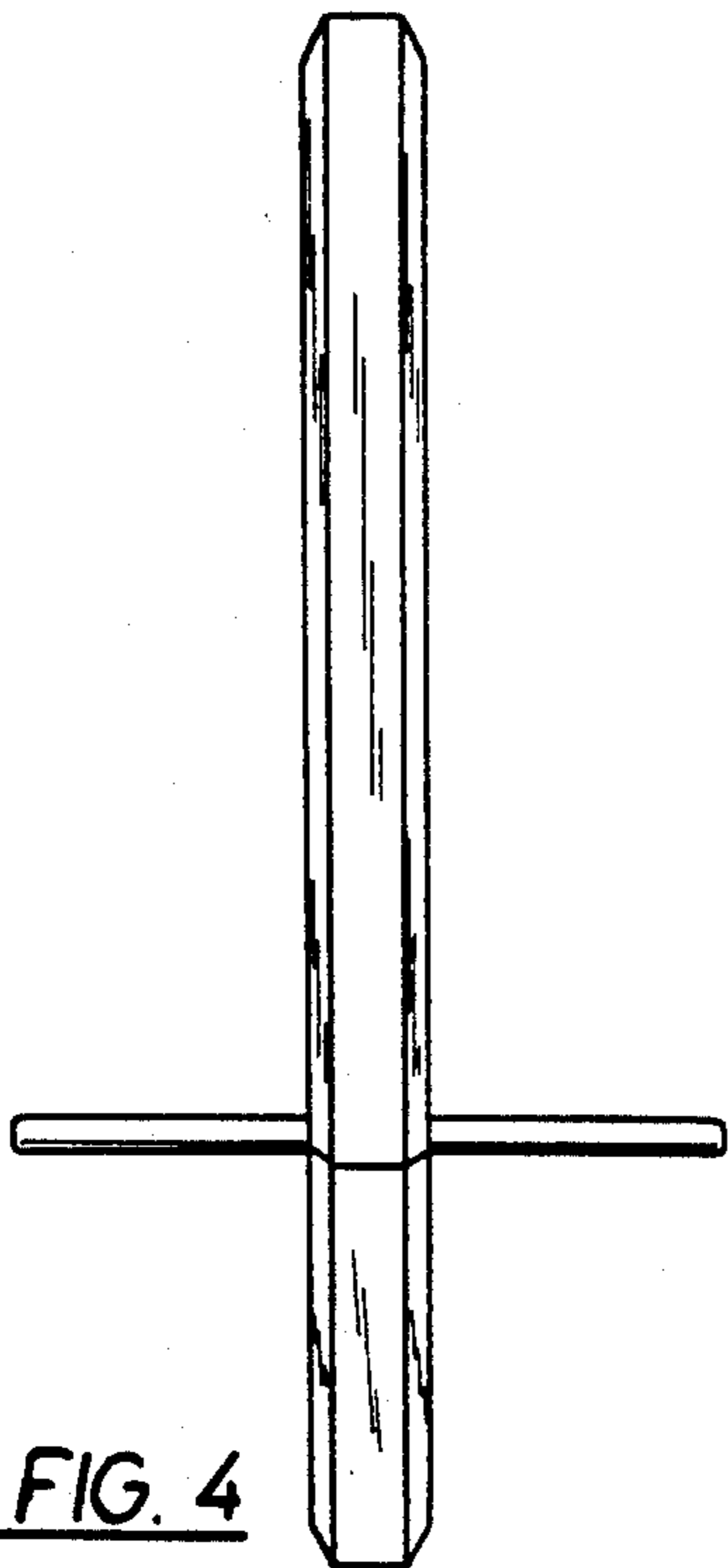


FIG. 4

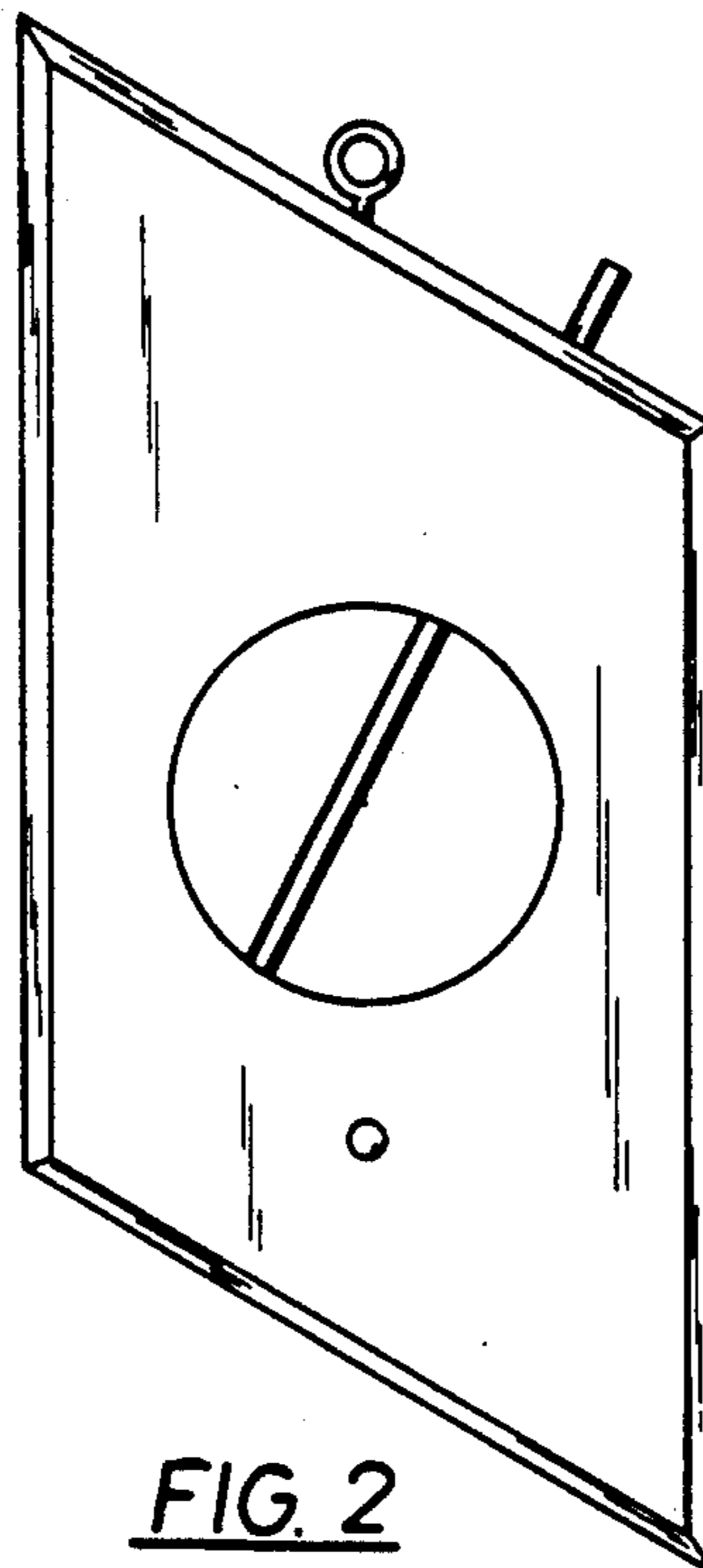


FIG. 2

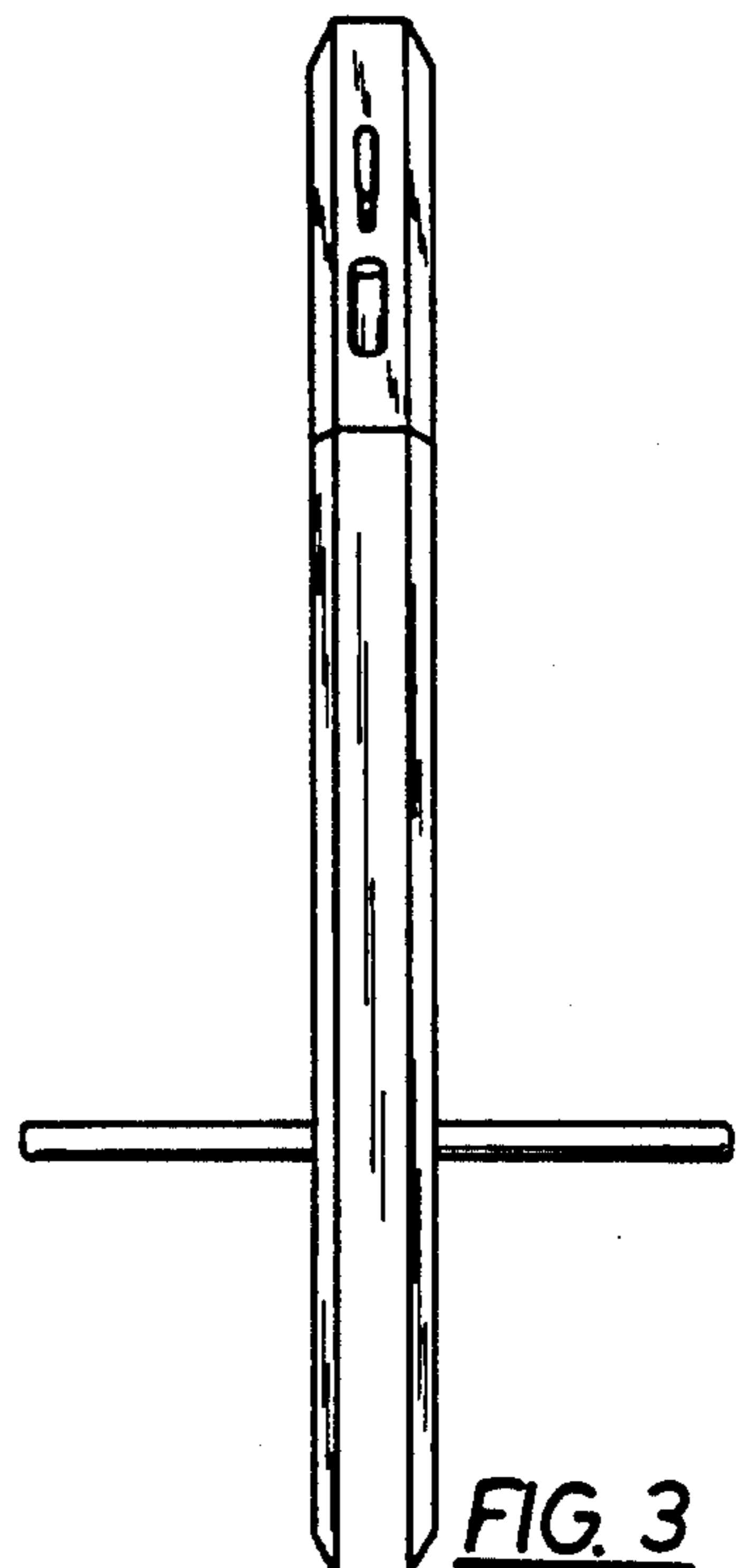


FIG. 3

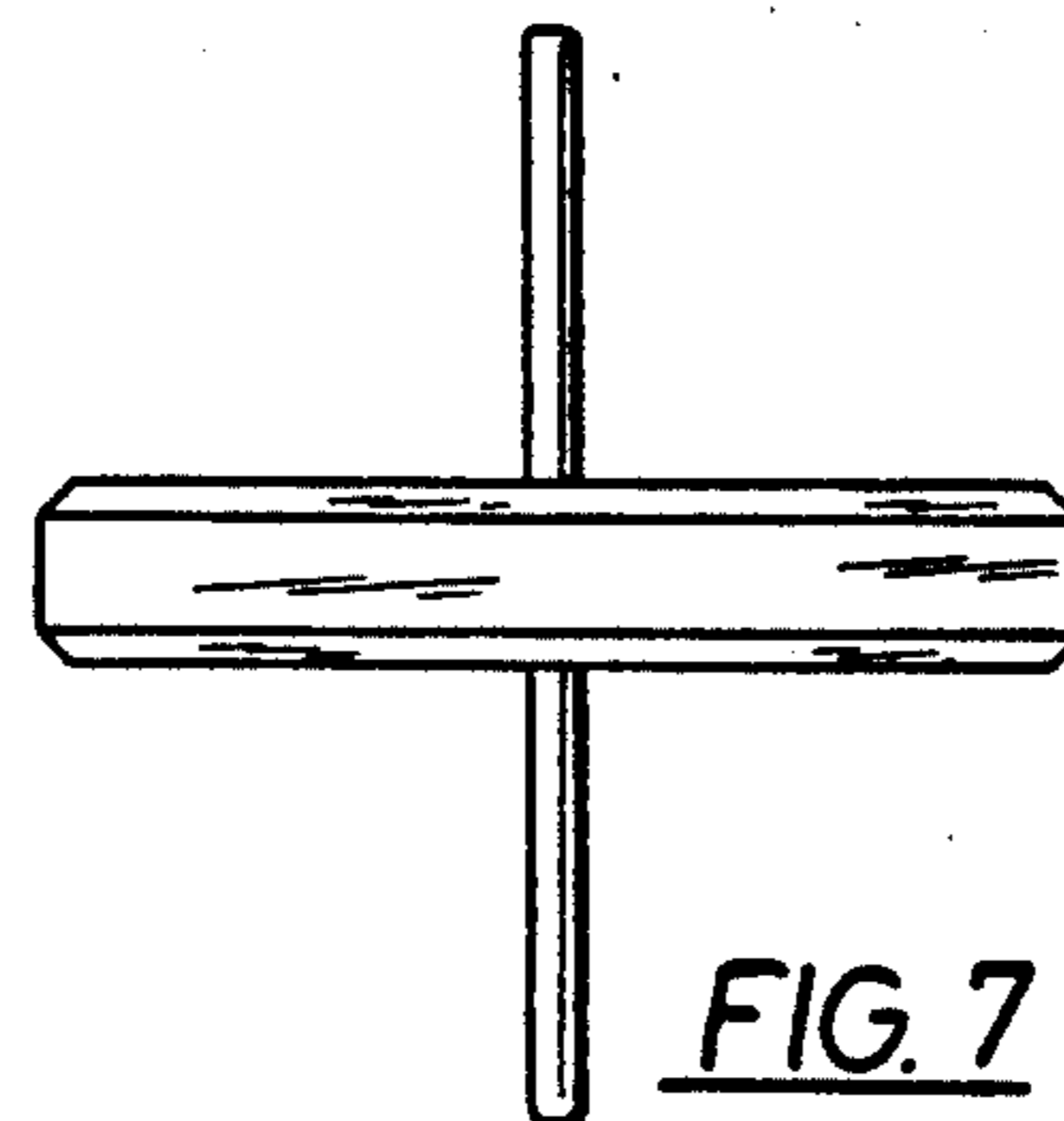


FIG. 7