



US00D330944S

United States Patent [19]

[11] Patent Number: **Des. 330,944**

Wereley

[45] Date of Patent: **** Nov. 10, 1992**

[54] **TRACK LIGHT HOUSING**

[75] Inventor: **Gary P. Wereley, Wheaton, Ill.**

[73] Assignee: **Juno Lighting, Inc., Des Plaines, Ill.**

[**] Term: **14 Years**

[21] Appl. No.: **649,928**

[22] Filed: **Feb. 4, 1991**

[52] U.S. Cl. **D26/63**

[58] Field of Search **D26/60-66;**
362/147, 432, 269, 275, 287, 418, 419, 427, 428

[56] **References Cited**

U.S. PATENT DOCUMENTS

- D. 292,235 10/1987 Roos D26/65
- D. 315,418 3/1991 Layne D26/63

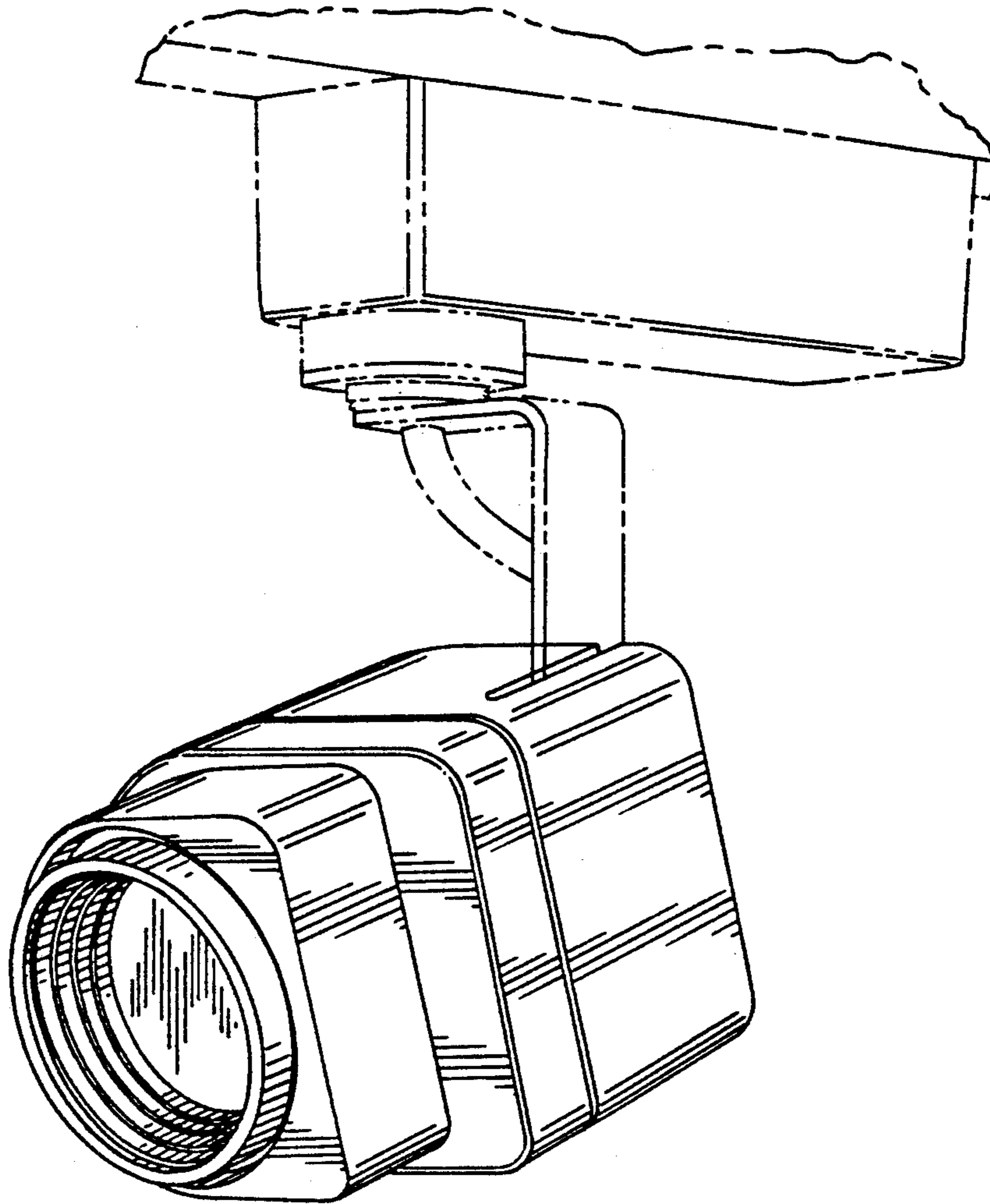
Primary Examiner—Susan J. Lucas
Attorney, Agent, or Firm—Anthony S. Zummer

[57] **CLAIM**

The ornamental design for a track light housing, as shown and described.

DESCRIPTION

FIG. 1 is a front, right side and upper perspective view of a track light housing showing my new design; FIG. 2 is a front elevational view thereof; FIG. 3 is a rear elevational view thereof; FIG. 4 is a top plan view thereof; FIG. 5 is a right side elevational view thereof; FIG. 6 is a bottom plan view thereof; and, FIG. 7 is a left side elevational view thereof. The yoke and transformer housing are shown in broken lines for illustrative purposes only.



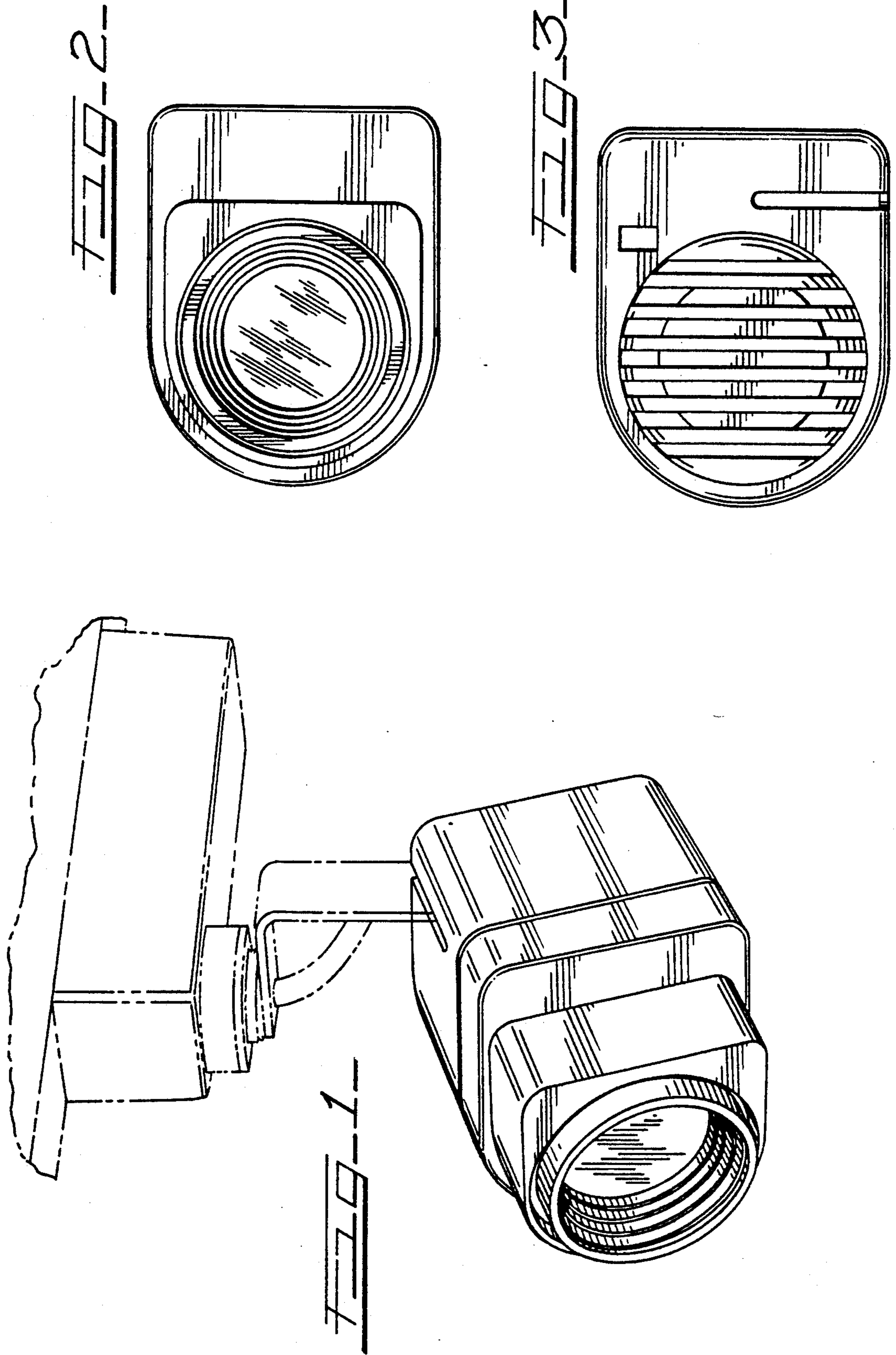


FIG. 4

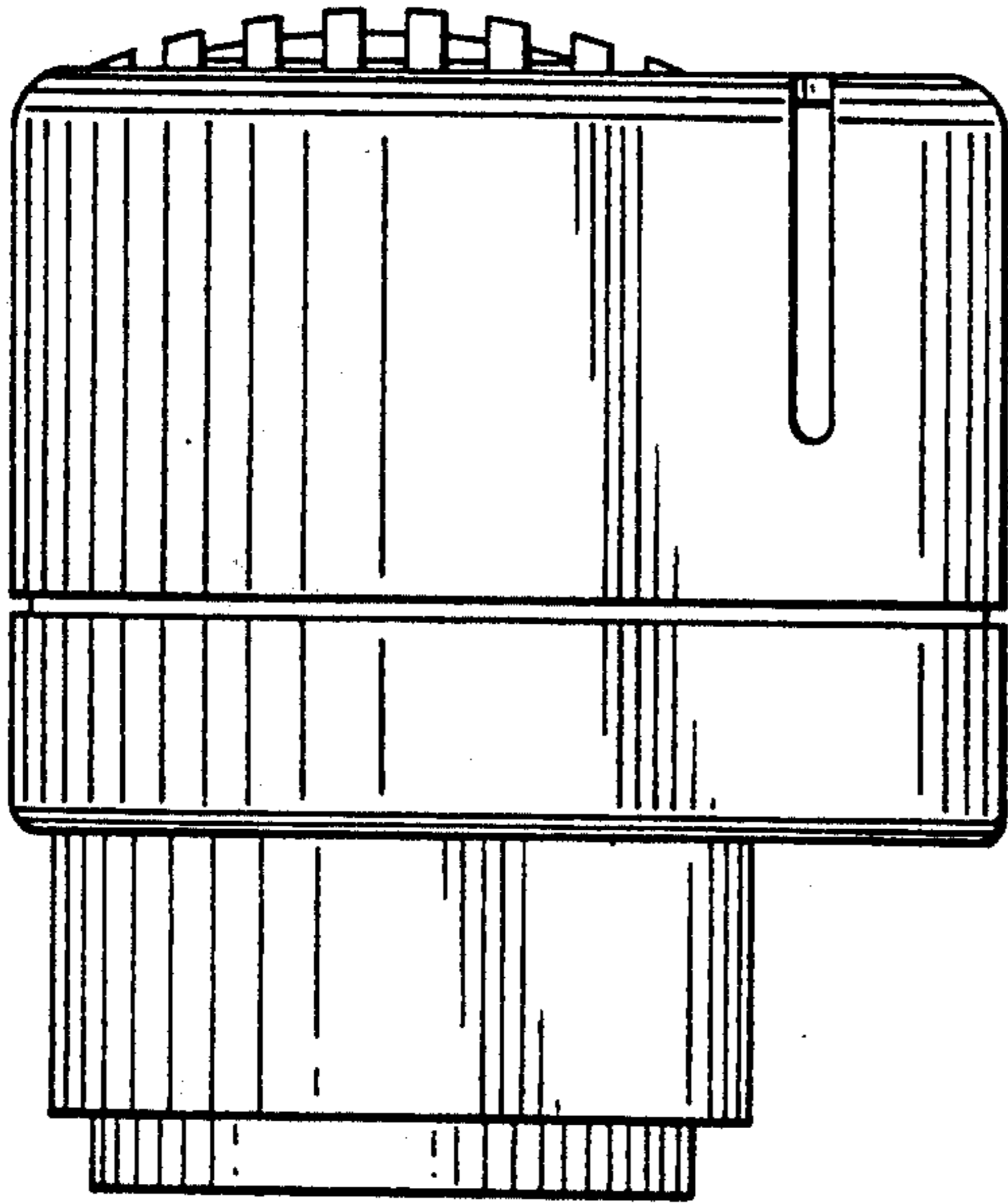


FIG. 5

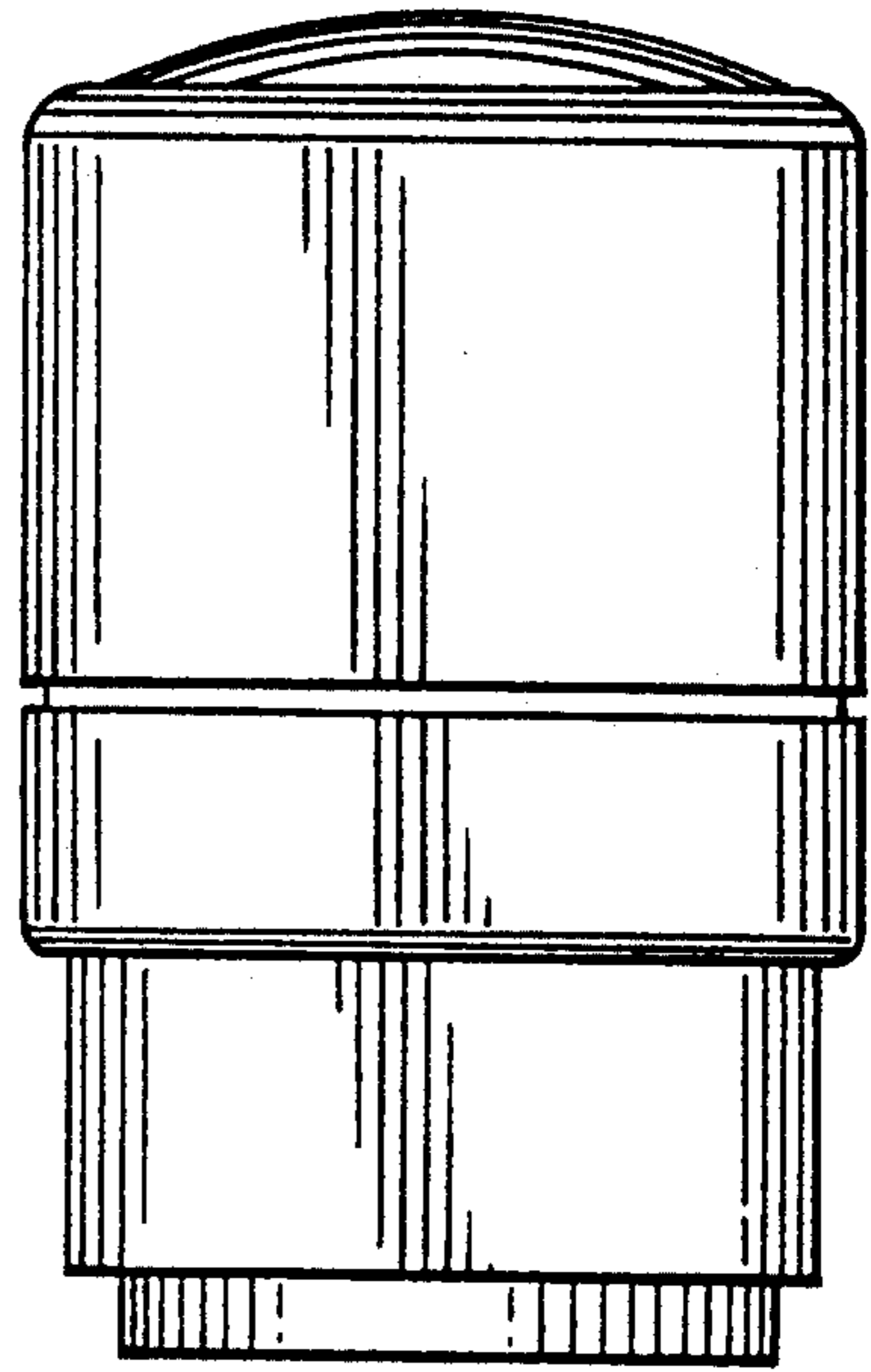


FIG. 6

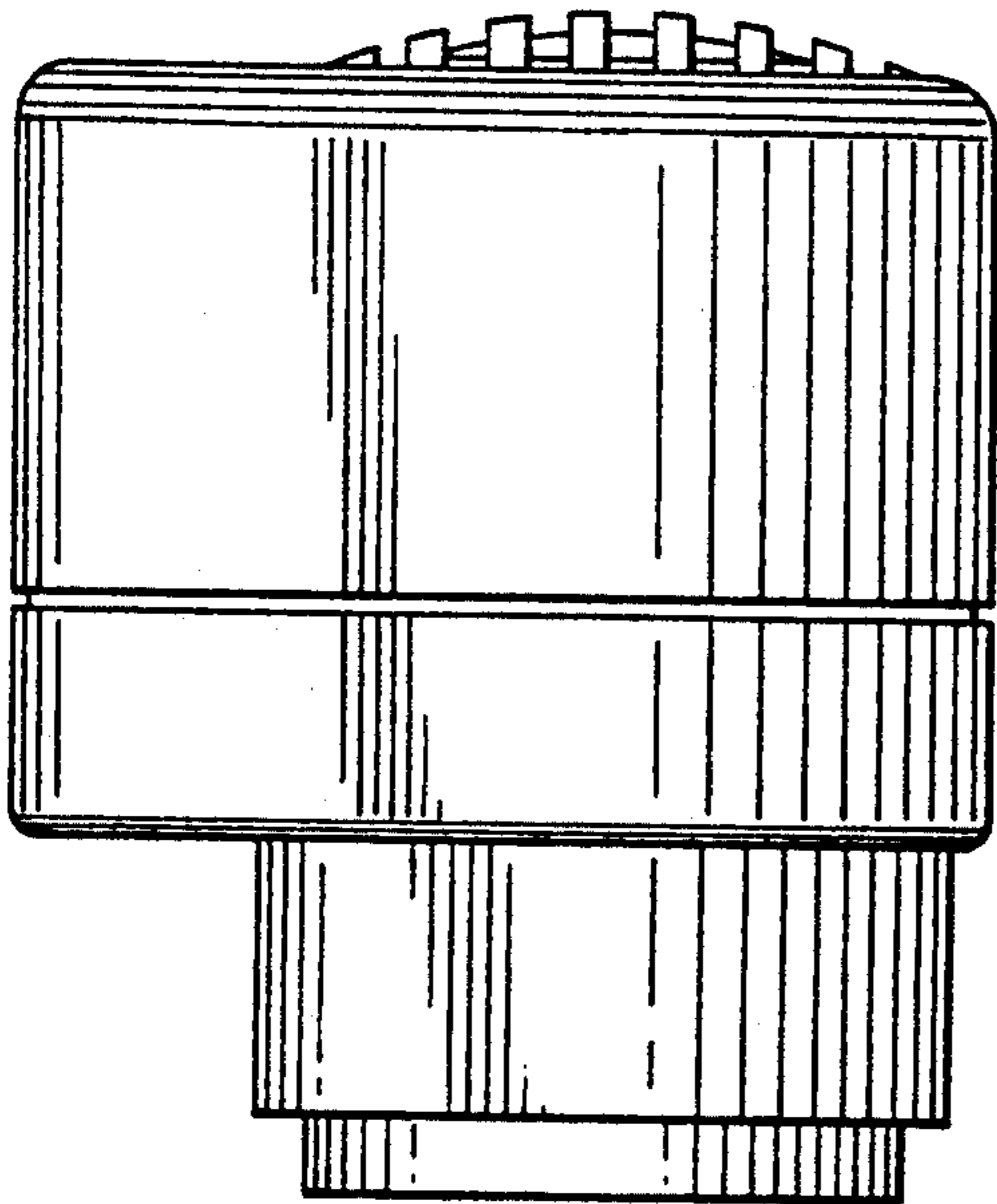


FIG. 7

