



US00D330935S

# United States Patent [19]

[11] Patent Number: **Des. 330,935**

**Delepine**

[45] Date of Patent: **\*\* Nov. 10, 1992**

[54] **FAUCET**

[76] Inventor: **Jean-Claude Delepine, 23, rue Clapeyron, 75008 Paris, France**

[\*] Notice: The portion of the term of this patent subsequent to Sep. 24, 2005 has been disclaimed.

[\*\*] Term: **14 Years**

[21] Appl. No.: **183,164**

[22] Filed: **Apr. 19, 1988**

### [30] Foreign Application Priority Data

Nov. 2, 1987 [IB] Int'l Pat. Institute ..... DM/009602

[52] U.S. Cl. .... **D23/238**

[58] Field of Search ..... **D23/238-243; 4/191, 192; 137/216, 801**

### [56] References Cited

#### U.S. PATENT DOCUMENTS

- D. 80,830 10/1936 Dobrick ..... D23/32
- D. 101,443 5/1936 Dreyfuss .
- D. 217,966 7/1970 Korol ..... D23/32
- D. 224,402 7/1972 Jenner ..... D23/25
- D. 233,235 10/1974 Arbon ..... D23/23
- D. 268,949 5/1983 Delepine ..... D23/32
- D. 289,076 3/1987 Paul ..... D23/238
- D. 289,916 5/1987 Delepine ..... D23/32
- D. 291,115 7/1987 Delepine ..... D23/32
- D. 291,234 8/1987 Bergmann et al. .... D23/238
- D. 291,235 8/1987 Bergmann et al. .... D23/238
- D. 291,590 8/1987 Bengtsson ..... D23/238
- D. 301,163 5/1989 Oberdorfer ..... D23/238

- D. 309,655 7/1990 Reinecke ..... D23/238
- 1,383,886 7/1921 Webb ..... 4/192
- 1,406,030 2/1922 Kelly .
- 1,408,375 2/1922 Manelis .
- 1,417,583 5/1922 Stratton ..... 4/192
- 1,512,193 7/1922 Berven ..... 4/591
- 2,679,652 5/1951 Eyring ..... 4/181
- 2,993,213 2/1959 Carroll ..... 4/591
- 4,231,123 11/1980 Cheng ..... 4/651
- 4,334,328 6/1982 Delepine ..... 4/191
- 4,513,458 4/1985 Delepine ..... 4/192

### FOREIGN PATENT DOCUMENTS

- 2219893 12/1972 Fed. Rep. of Germany ..... 4/192
- 740490 1/1933 France ..... 4/192
- 161778 5/1933 Switzerland ..... 4/192
- 201451 8/1923 United Kingdom ..... 4/591
- 576928 4/1946 United Kingdom ..... 4/192

Primary Examiner—James R. Largen  
Attorney, Agent, or Firm—Fisher, Christen & Sabol

### [57] CLAIM

The ornamental design for a faucet, as shown and described.

### DESCRIPTION

FIG. 1 is a perspective view taken from the top, front and right side of a faucet showing my new design; FIG. 2 is a front elevational view thereof; FIG. 3 is a rear elevational view thereof; FIG. 4 is a right side elevational view thereof, the left side being a mirror image of the right side shown; FIG. 5 is a top plan view thereof; and, FIG. 6 is a bottom plan view thereof.

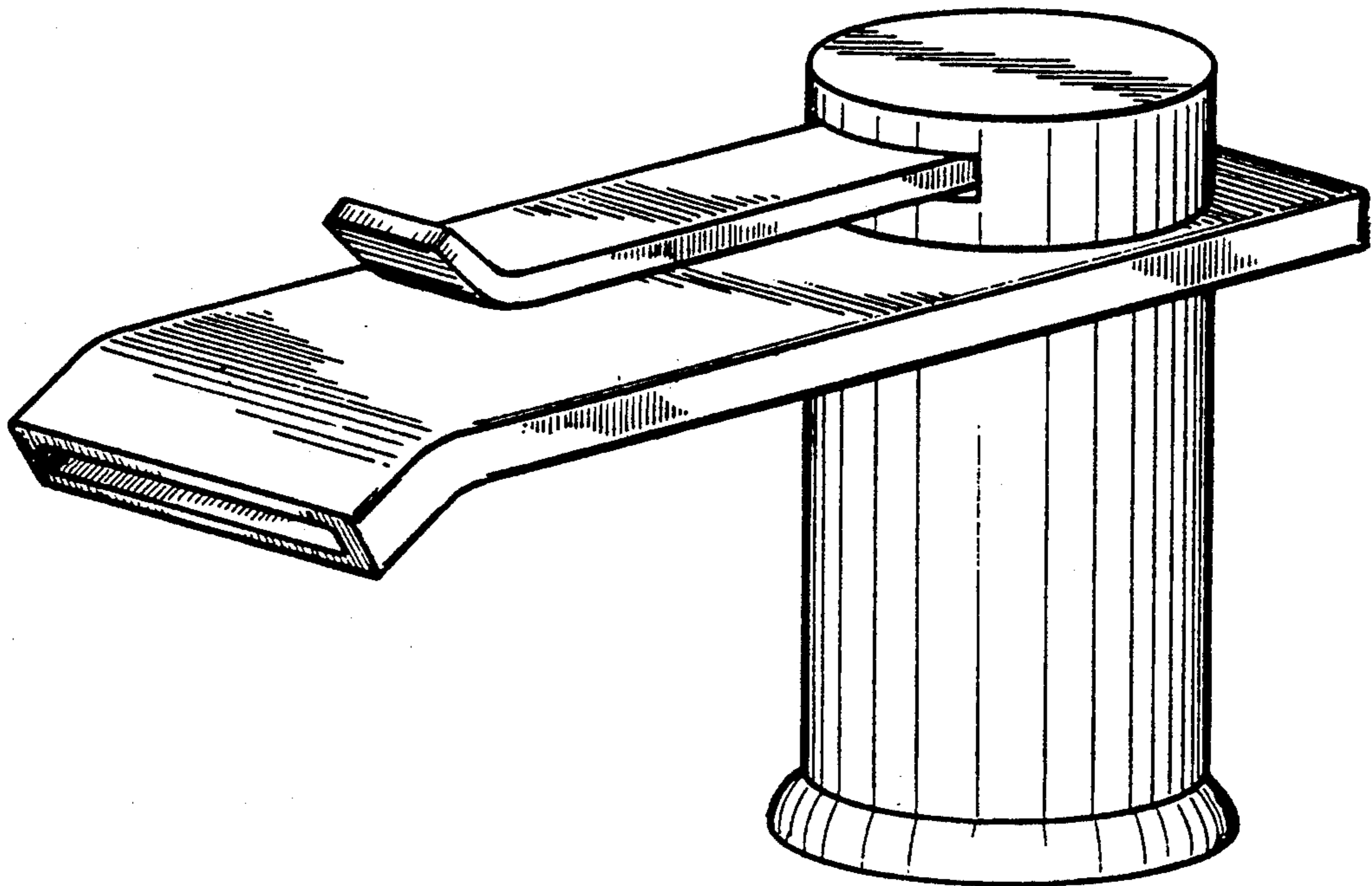


FIG. 1

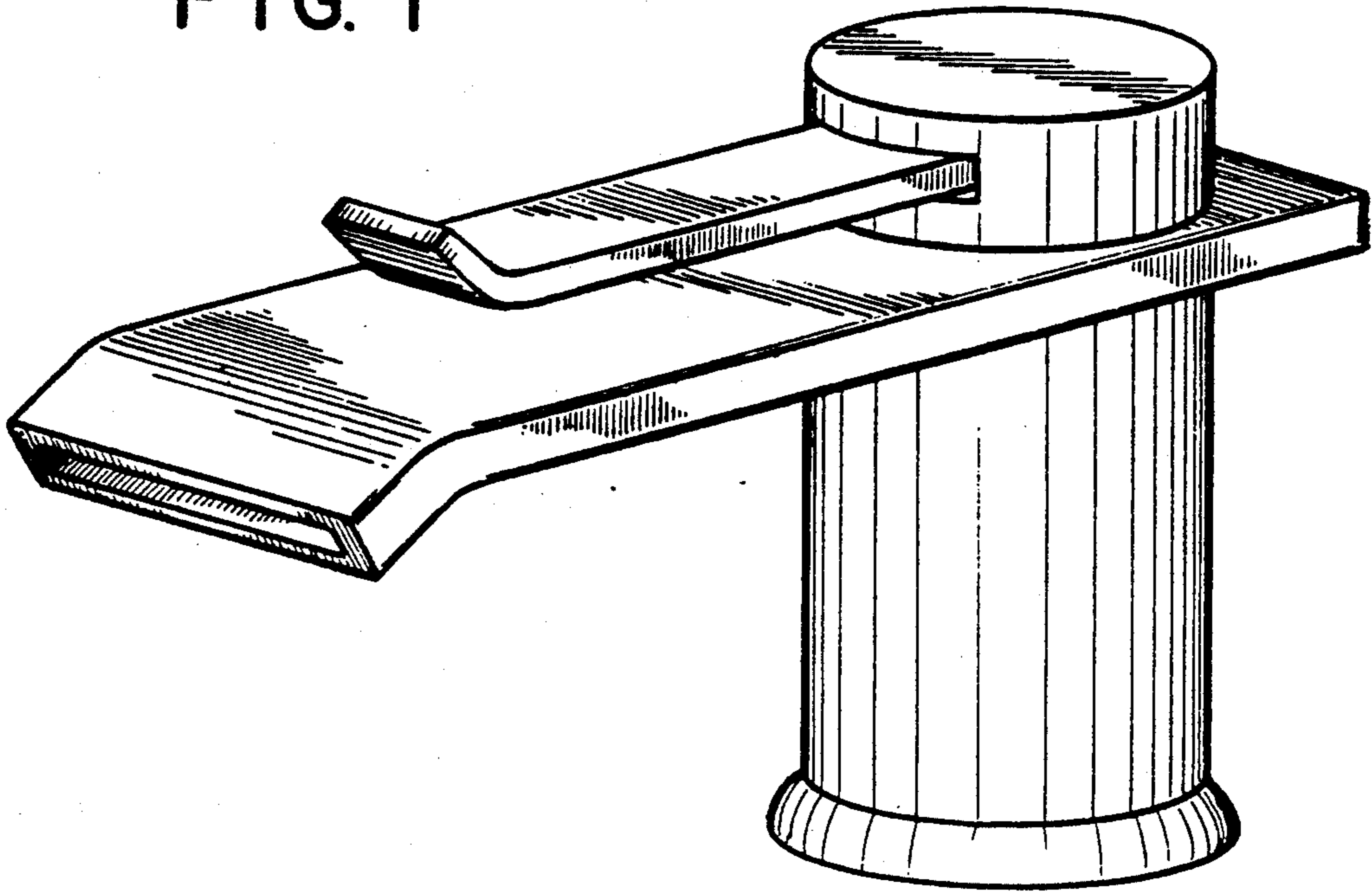


FIG. 2

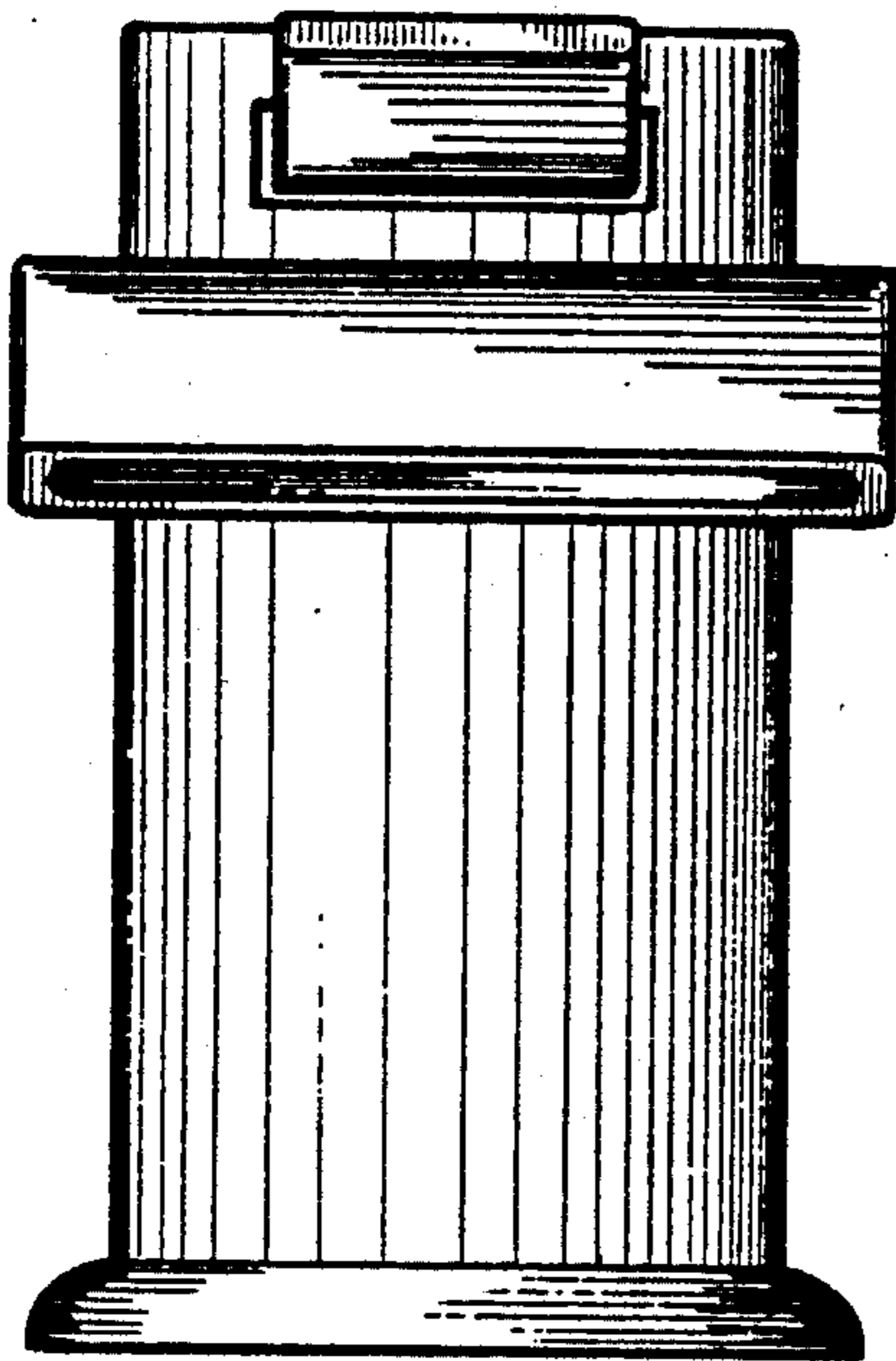


FIG. 3

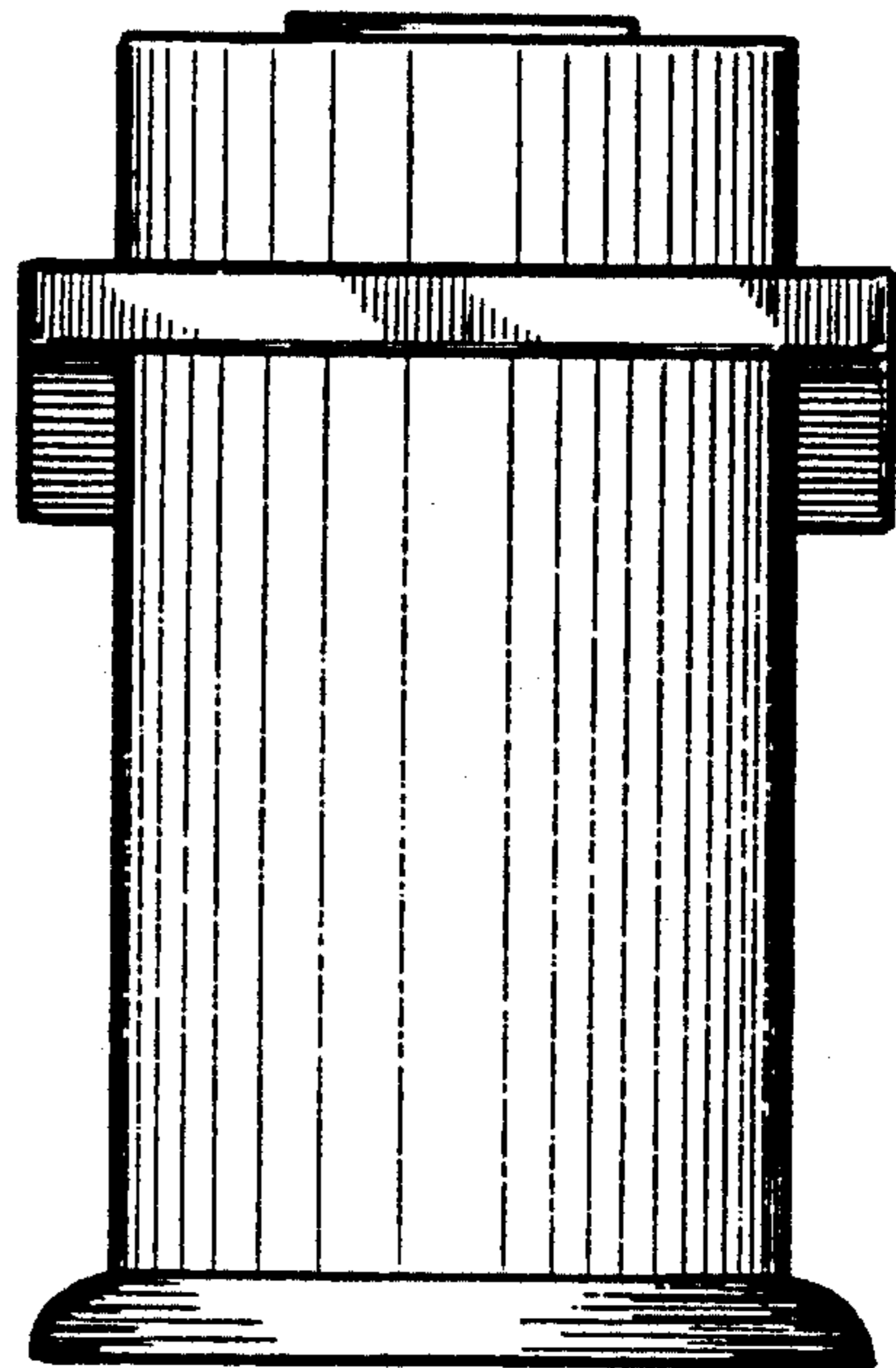


FIG. 4

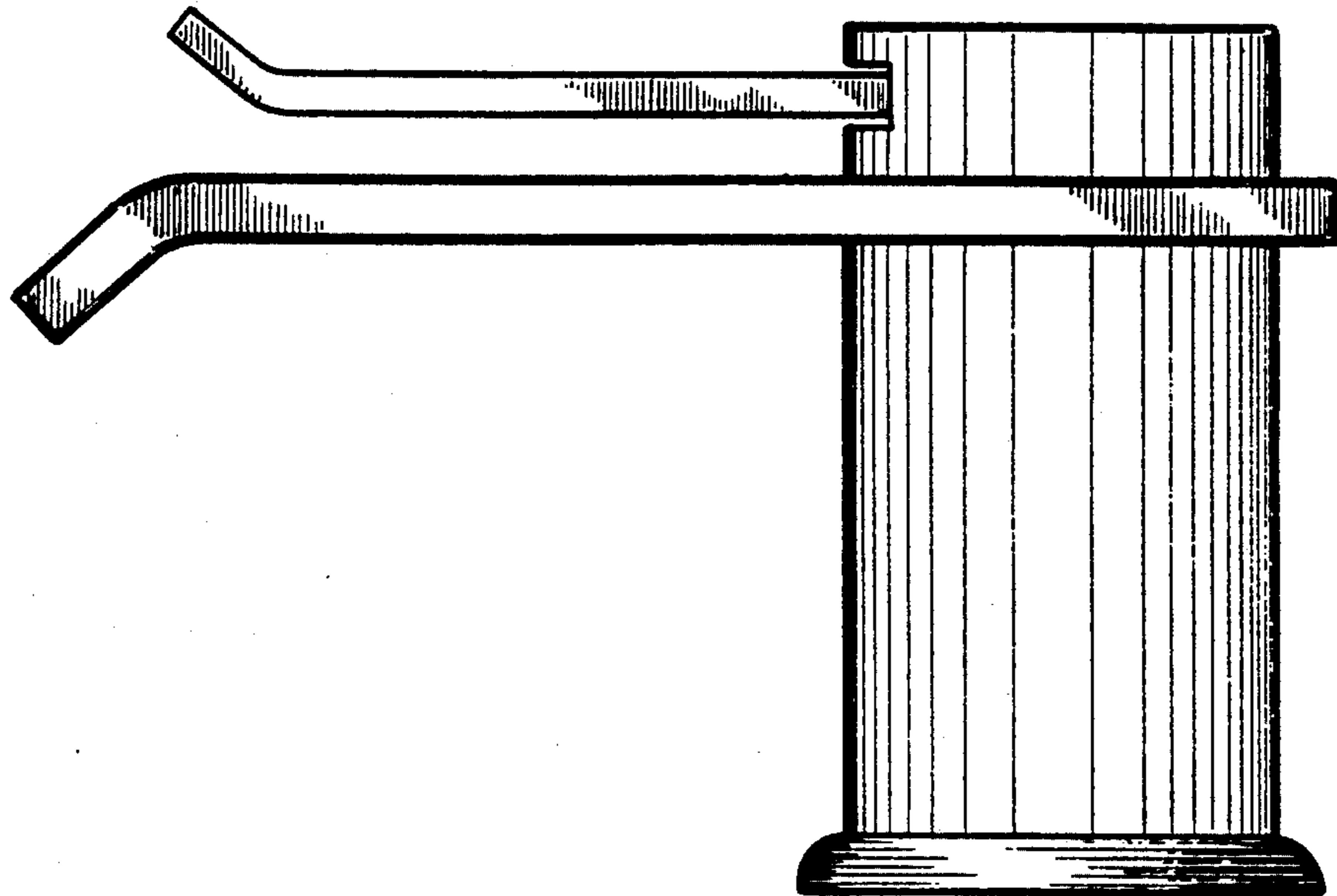


FIG. 5

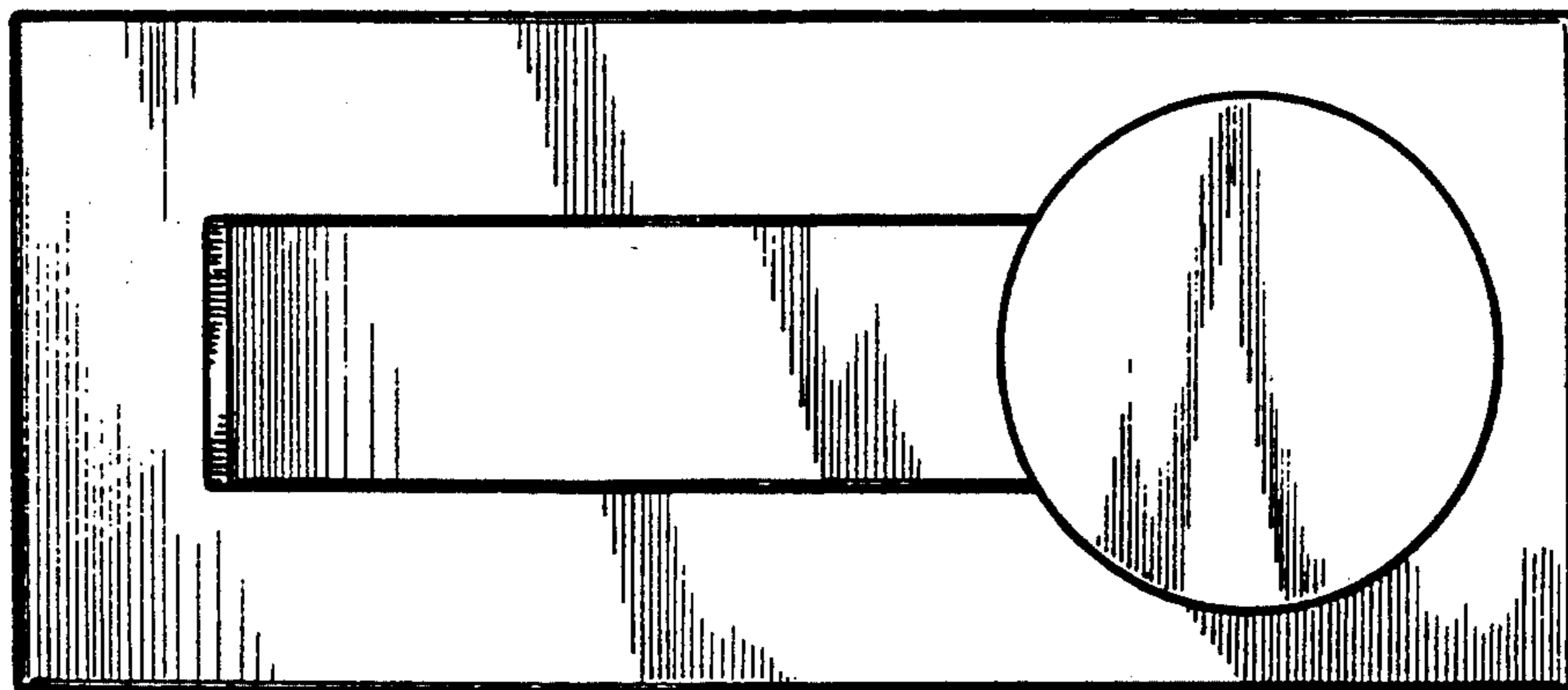


FIG. 6

