



US00D330926S

United States Patent [19]

[11] Patent Number: **Des. 330,926**

Antonious

[45] Date of Patent: **** Nov. 10, 1992**

[54] **IRON GOLF CLUB HEAD**

[76] Inventor: **Anthony J. Antonious**, 205 E. Joppa Rd., Towson, Md. 21204

[*] Notice: The portion of the term of this patent subsequent to Aug. 4, 2006 has been disclaimed.

[**] Term: **14 Years**

[21] Appl. No.: **433,189**

[22] Filed: **Nov. 8, 1989**

[52] U.S. Cl. **D21/220**

[58] Field of Search **D21/220; 273/167-175, 273/164 R**

[56] **References Cited
PUBLICATIONS**

Golf Digest, Apr. 1987, p. 128 top, Golf Iron.
Golf World, Jun. 23, 1989, p. 63, Golf Iron.
Golf, May 1987, p. 105, top, set of irons.

Primary Examiner—Melvin B. Feifer
Attorney, Agent, or Firm—Nicholas J. Aquilino

[57] **CLAIM**

The ornamental design for an iron golf club head, as shown and described.

DESCRIPTION

FIG. 1 is a front elevational view showing my new design for an iron golf club head;
FIG. 2 is a rear elevational view thereof;
FIG. 3 is a bottom view thereof;
FIG. 4 is an top plan view thereof;
FIG. 5 is an elevational view thereof; and,
FIG. 6 is an elevational view taken from the opposite side of FIG. 5.

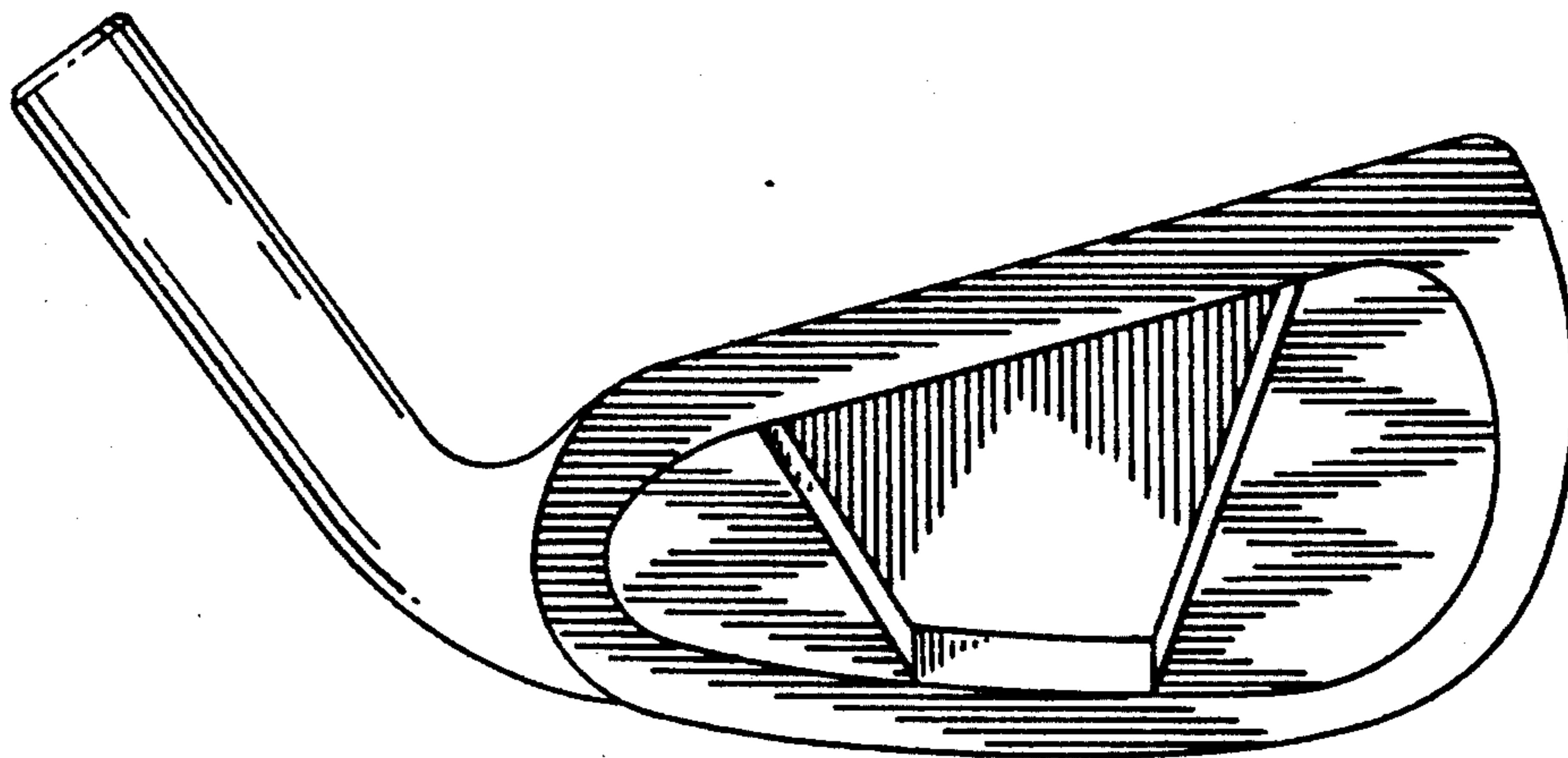


FIG. 1

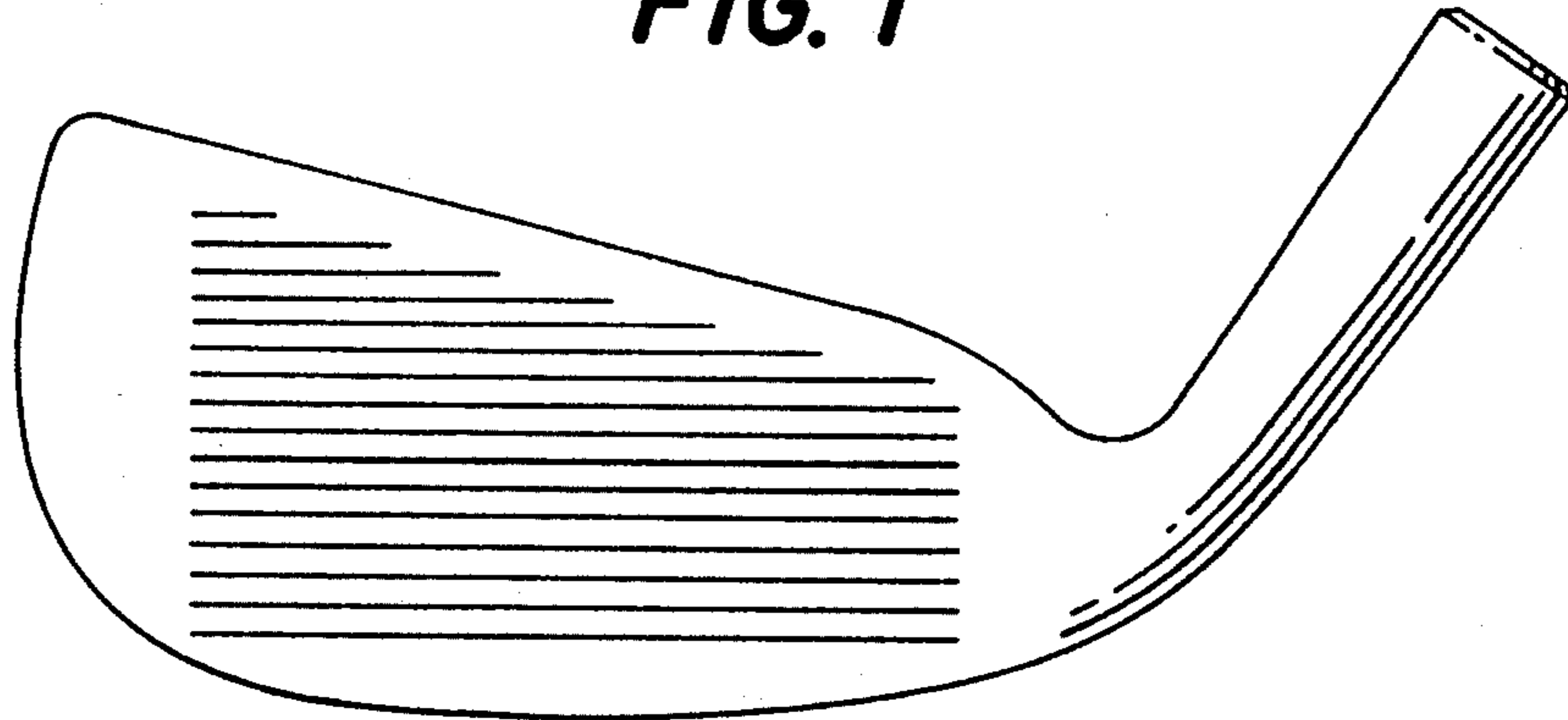


FIG. 2

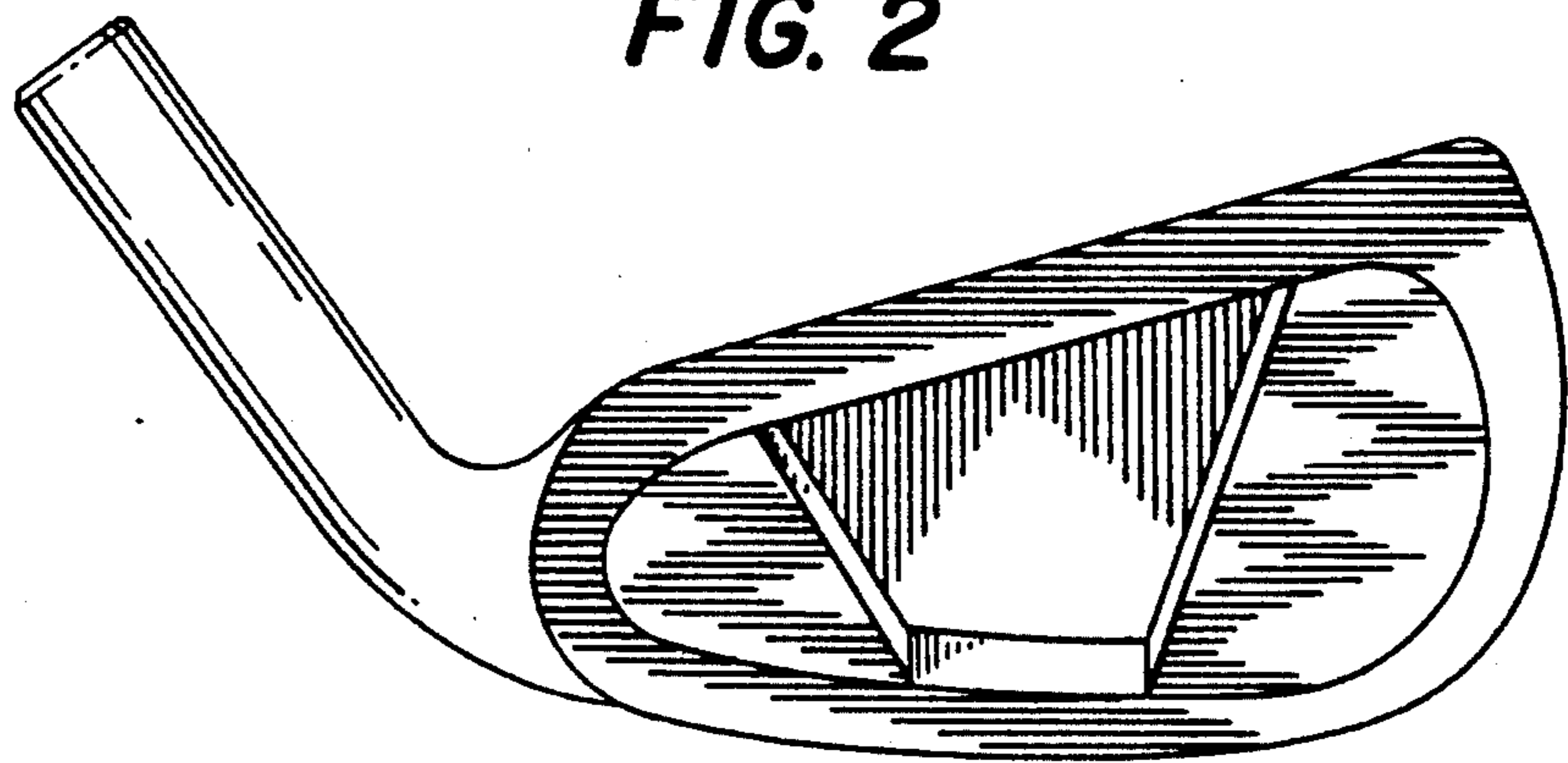


FIG. 3

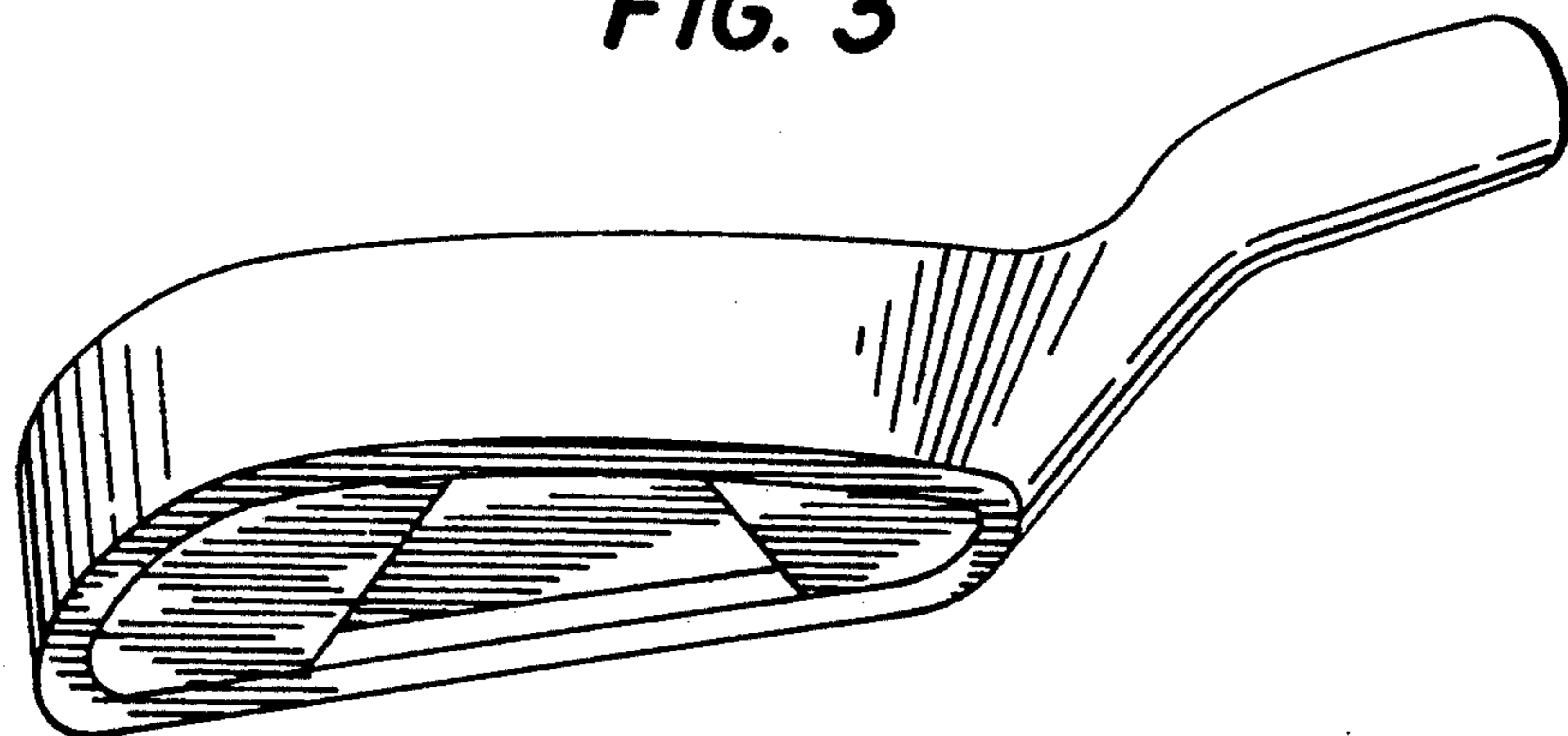


FIG. 4

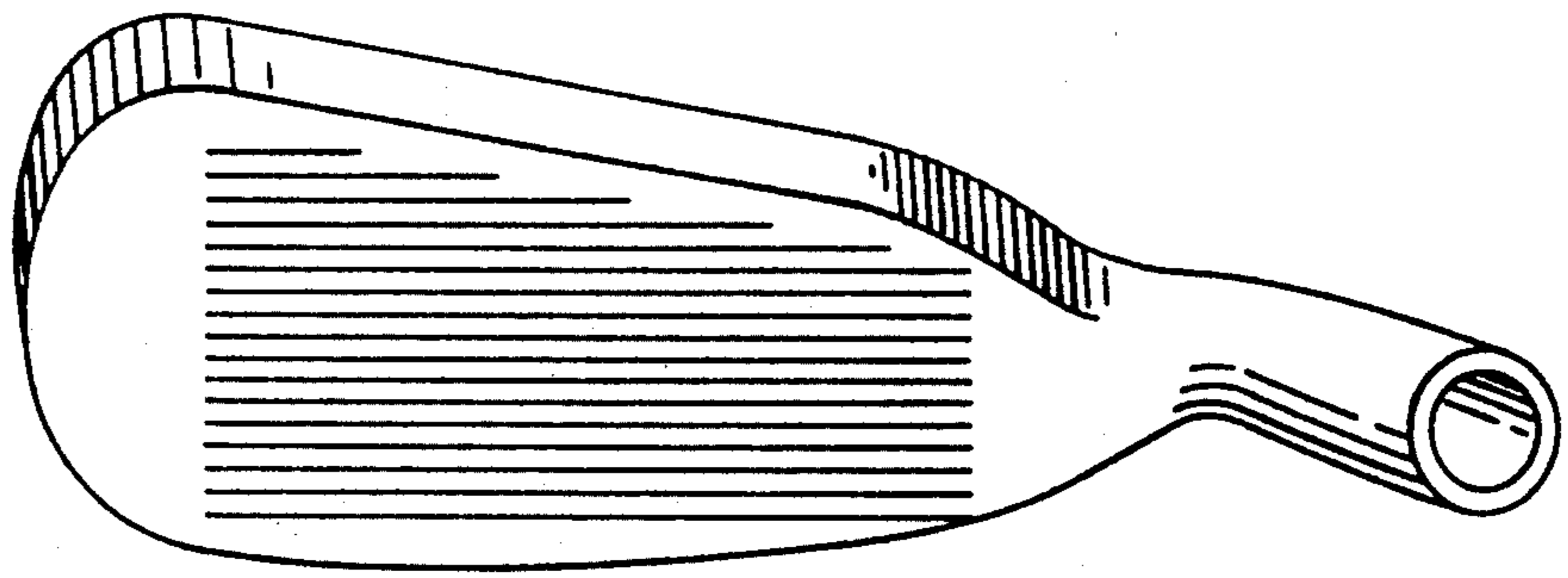


FIG. 5

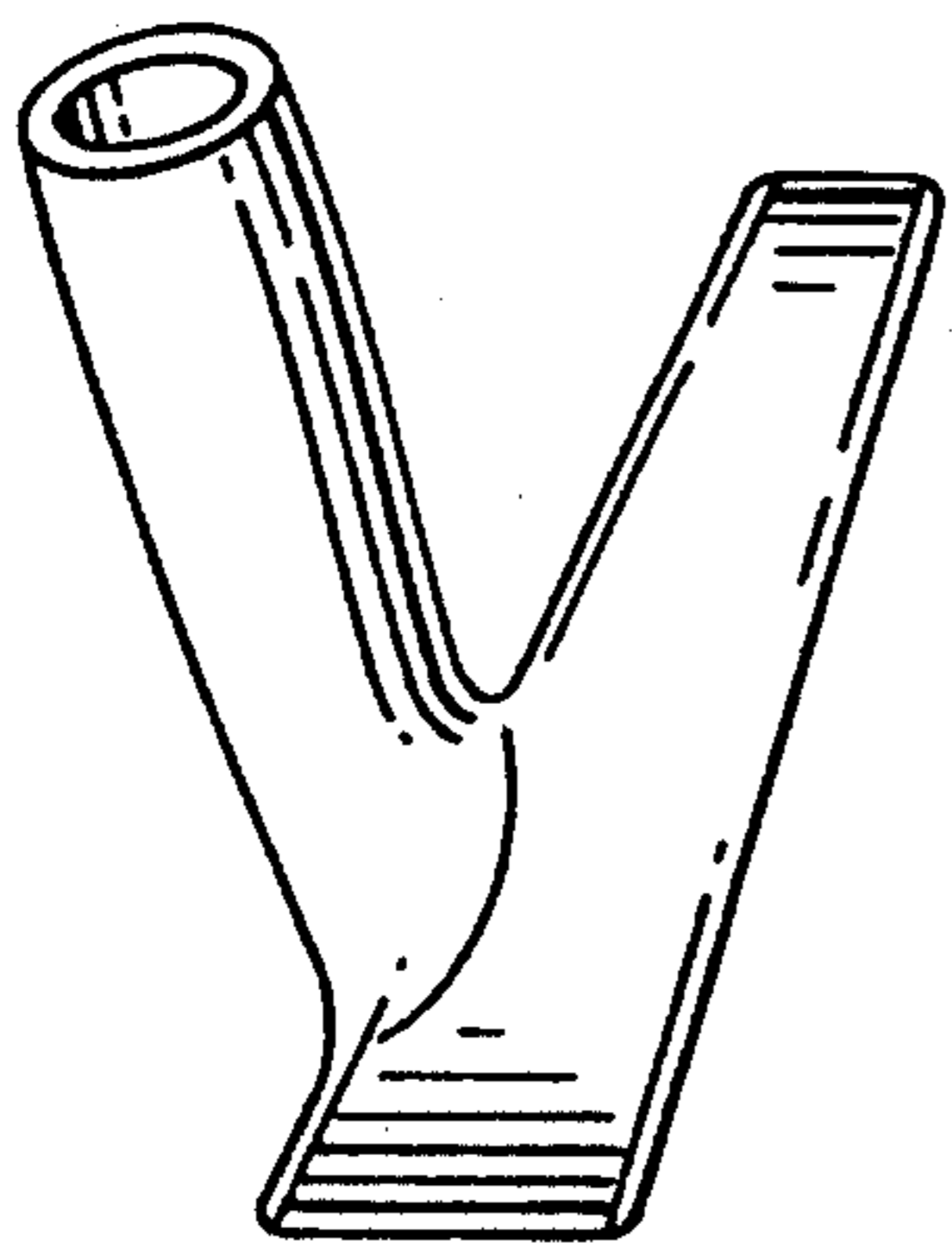


FIG. 6

