



US00D330922S

United States Patent [19]

[11] Patent Number: **Des. 330,922**

Novakoski

[45] Date of Patent: **** Nov. 10, 1992**

[54] **EXERCISE PLATFORM**

[76] Inventor: **Frank Novakoski, 2415 Brittany Ct.,
Ponte Vedra Beach, Fla. 32082**

[**] Term: **14 Years**

[21] Appl. No.: **524,833**

[22] Filed: **May 18, 1990**

[52] U.S. Cl. **D21/191**

[58] Field of Search **D21/191, 193; 482/51,
482/71; D6/616, 596; D7/550**

[56] **References Cited**

U.S. PATENT DOCUMENTS

D. 173,319	10/1954	Levenhagen	D7/550
D. 267,513	1/1983	Weigel et al.	D21/193
D. 281,260	11/1985	Smith	D21/191
D. 298,266	10/1988	Reyneke	D21/191
D. 321,918	11/1991	Blanchard	D21/191
2,842,365	7/1958	Kelley	482/51
3,524,641	8/1970	Ossenkop	482/71
4,340,214	7/1982	Schutzer	482/51
4,779,862	10/1988	Keppler	482/51
4,940,226	7/1990	Carra	482/51
5,052,682	10/1991	Croce, Jr. et al.	482/51

FOREIGN PATENT DOCUMENTS

2569569 3/1986 France .

OTHER PUBLICATIONS

Saitama Kako Co., Ltd. brochure for Flexerciser Nov. 1983.

Primary Examiner—Bernard Ansher

Assistant Examiner—Philip Hyder

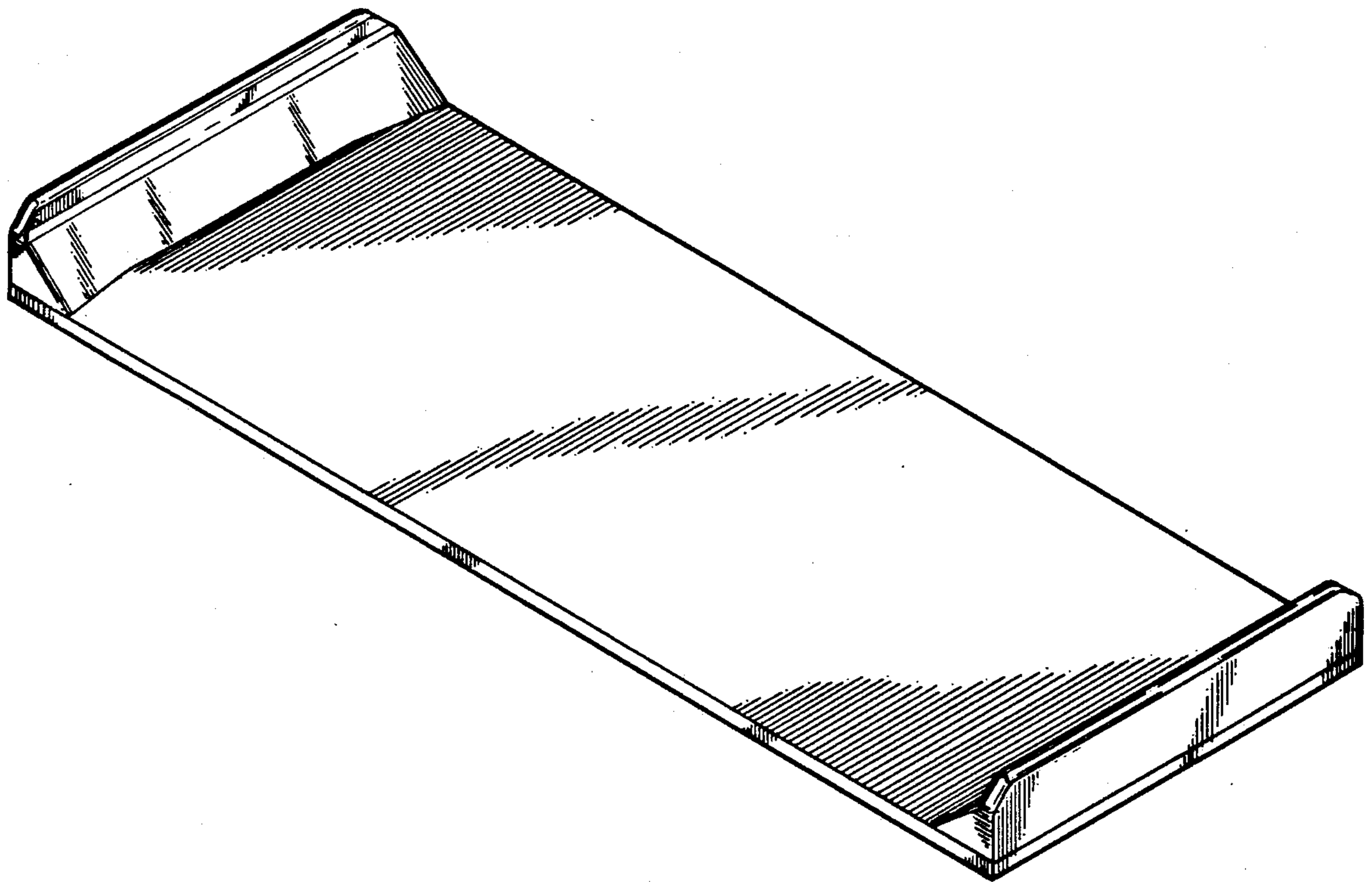
Attorney, Agent, or Firm—Young & Thompson

[57] **CLAIM**

The ornamental design for an exercise platform, as shown and described.

DESCRIPTION

FIG. 1 is a perspective view of an exercise platform, showing my new design;
FIG. 2 is a top plan view thereof, shown fragmentarily for ease of illustration;
FIG. 3 is a front elevational view of FIG. 2, the rear view appearing the same;
FIG. 4 is a side elevational view of FIG. 2; and,
FIG. 5 is a bottom plan view of FIG. 2.



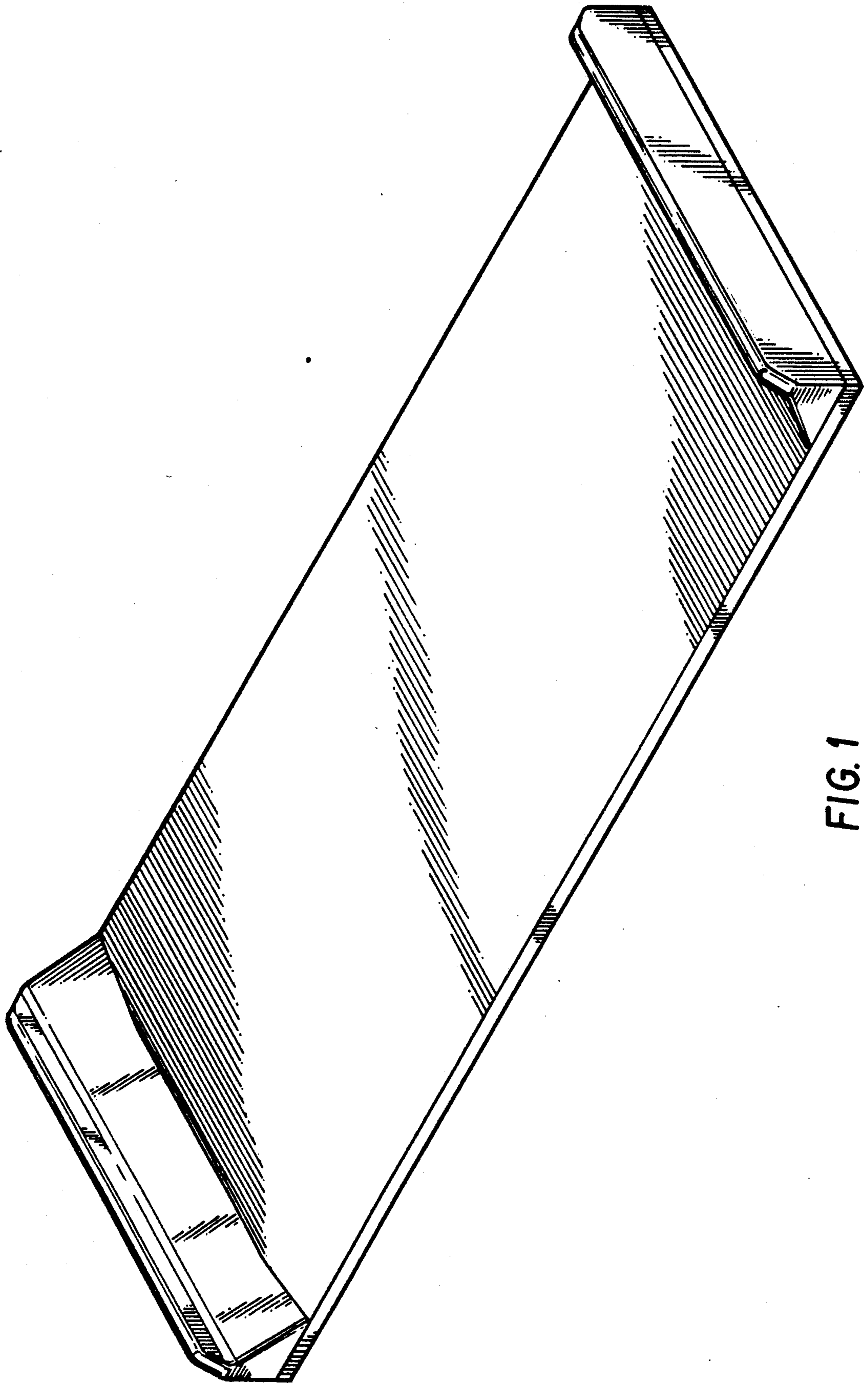


FIG. 1

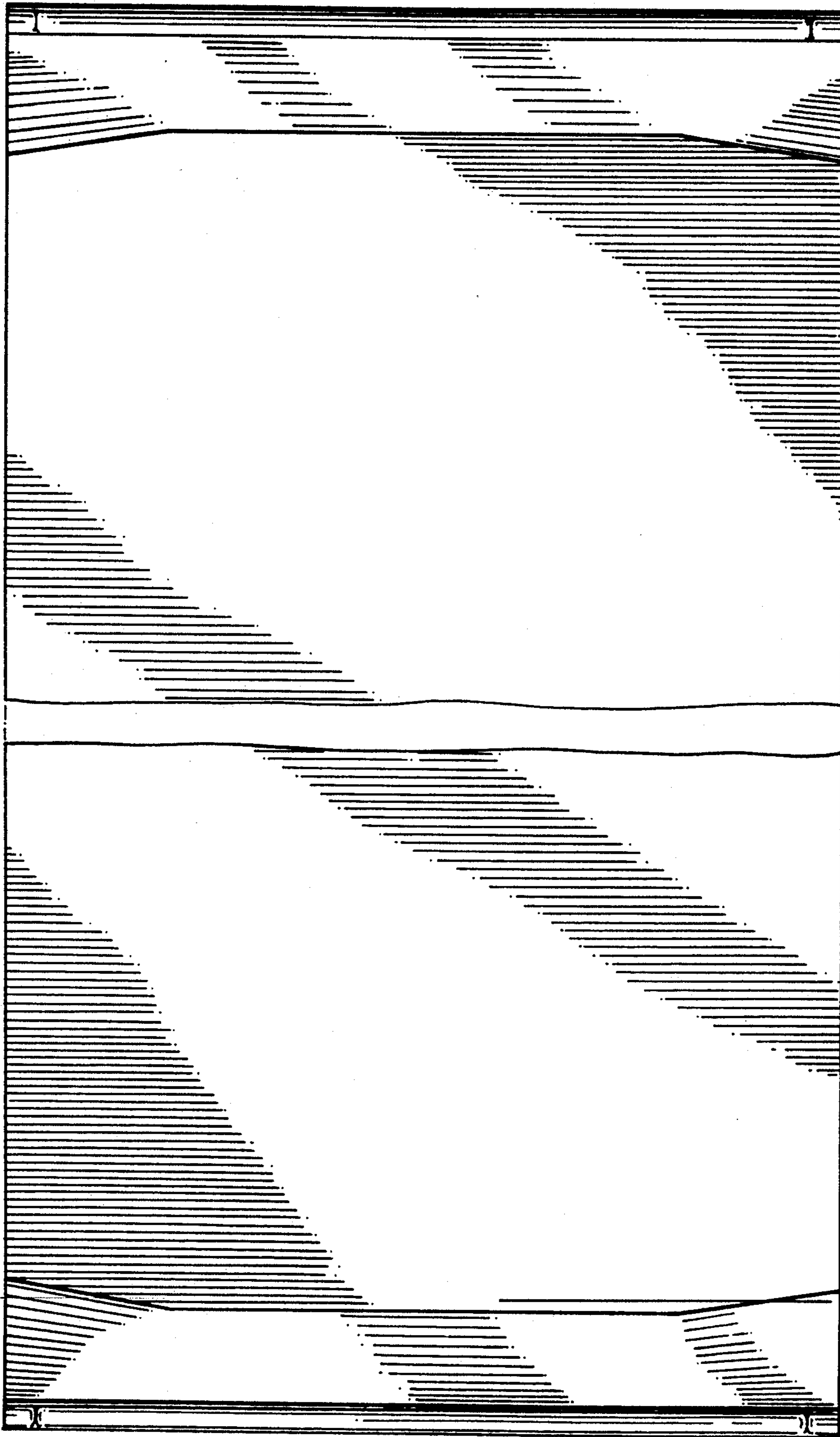


FIG. 2

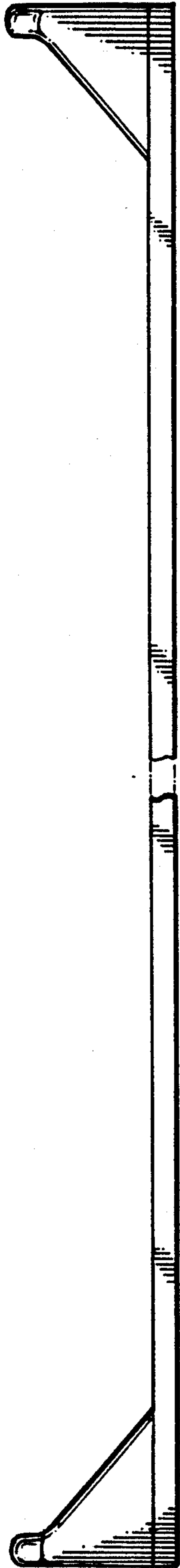


FIG. 3

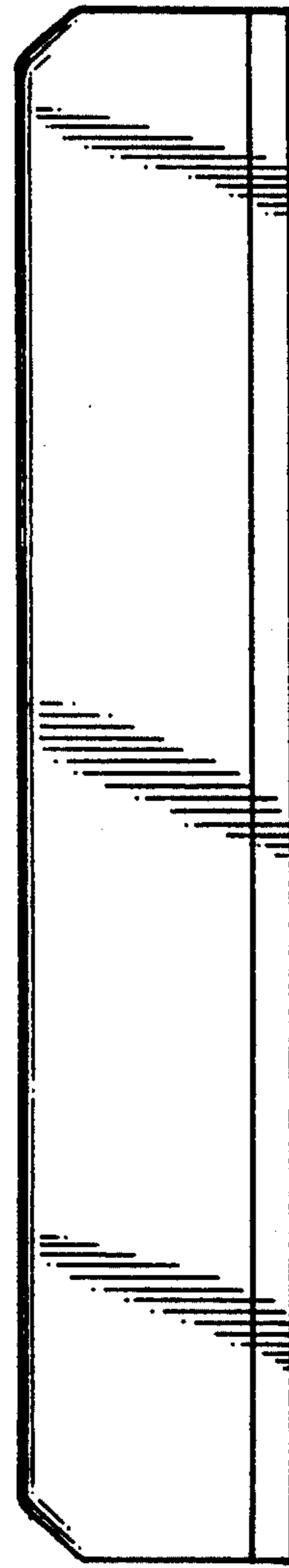


FIG. 4

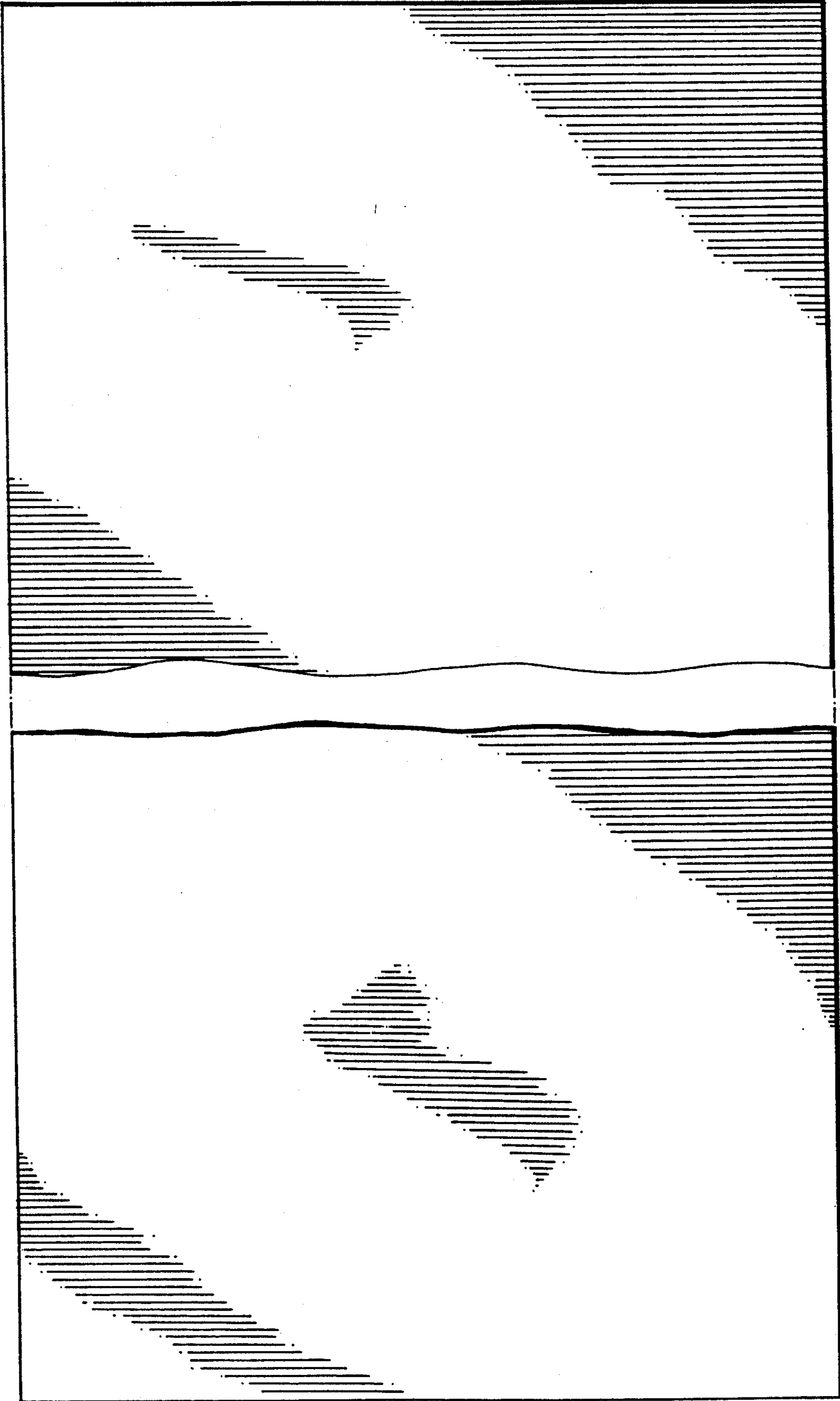


FIG. 5