



US00D330913S

# United States Patent [19]

[11] Patent Number: **Des. 330,913**

**Hiromori**

[45] Date of Patent: **\*\* Nov. 10, 1992**

[54] CASE

[75] Inventor: **Junji Hiromori, Tokyo, Japan**

[73] Assignee: **Hiromori Inc., Tokyo, Japan**

[\*\*] Term: **14 Years**

[21] Appl. No.: **608,185**

[22] Filed: **Nov. 1, 1990**

[30] **Foreign Application Priority Data**

May 4, 1990 [GB] United Kingdom ..... 2006607

[52] U.S. Cl. .... **D19/75; D3/30.1**

[58] Field of Search ..... **D3/78, 39, 30.1, 34; 224/252, 312; D28/78, 91, 99; 206/235, 351, 314, 38, 581, 37, 224, 214, 340, 818, 350, 338, 341, 340; 220/DIG. 26, 22, 20, 337, 239, 334, 339; D19/67, 75; 221/212**

[56] **References Cited**

**U.S. PATENT DOCUMENTS**

- Re. 20,986 1/1939 Kreisler ..... 220/334 X
- D. 97,936 12/1935 Neumann-Holste ..... D3/30.1
- D. 144,357 4/1946 Crane ..... 220/DIG. 26 X
- D. 144,533 4/1946 Worley ..... D3/39
- D. 257,800 1/1981 Pedersen ..... D3/39
- D. 273,427 4/1984 Barradas ..... D3/39 X
- D. 283,950 5/1986 Markowitz ..... D3/30.1 X

- D. 310,102 8/1990 Rittenhouse ..... D19/67
- 538,771 5/1895 Floyd ..... 206/235
- 1,165,908 12/1915 Rietveld ..... 220/334
- 1,816,049 7/1931 Lerner ..... 224/252 X
- 1,817,310 8/1931 Hauch ..... 220/DIG. 26 X
- 2,090,886 8/1937 Dion ..... 220/334 X
- 2,281,663 5/1942 Bohr ..... 220/337 X
- 2,492,864 12/1949 Hermani ..... 220/334 X
- 4,863,034 9/1989 Contreras, Sr. .... 206/581
- 5,004,106 4/1991 Blumstock et al. .... 206/581
- 5,040,680 8/1991 Wilson et al. .... 220/339 X

*Primary Examiner*—A. Hugo Word  
*Assistant Examiner*—Paula A. Mortimer  
*Attorney, Agent, or Firm*—Dilworth & Barrese

[57] **CLAIM**

The ornamental design for a case, as shown and described.

**DESCRIPTION**

FIG. 1 is a front perspective view of a case showing my new design;  
FIG. 2 is a front elevational view thereof;  
FIG. 3 is a rear elevational view thereof;  
FIG. 4 is a left side elevational view thereof;  
FIG. 5 is a right side elevational view thereof;  
FIG. 6 is a top plan view thereof;  
FIG. 7 is a bottom plan view thereof; and,  
FIG. 8 is a front perspective view in an open position.

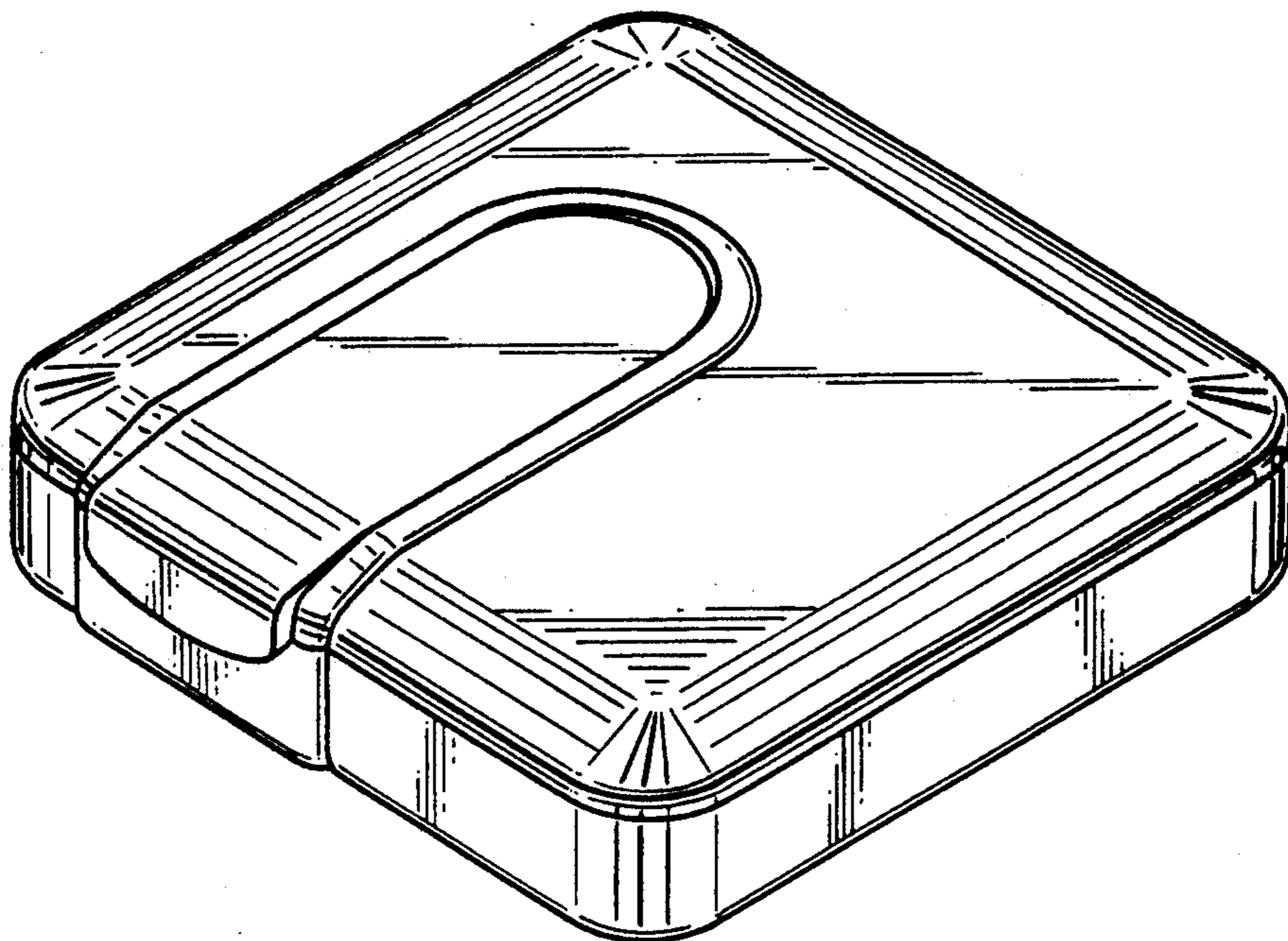


FIG. 1

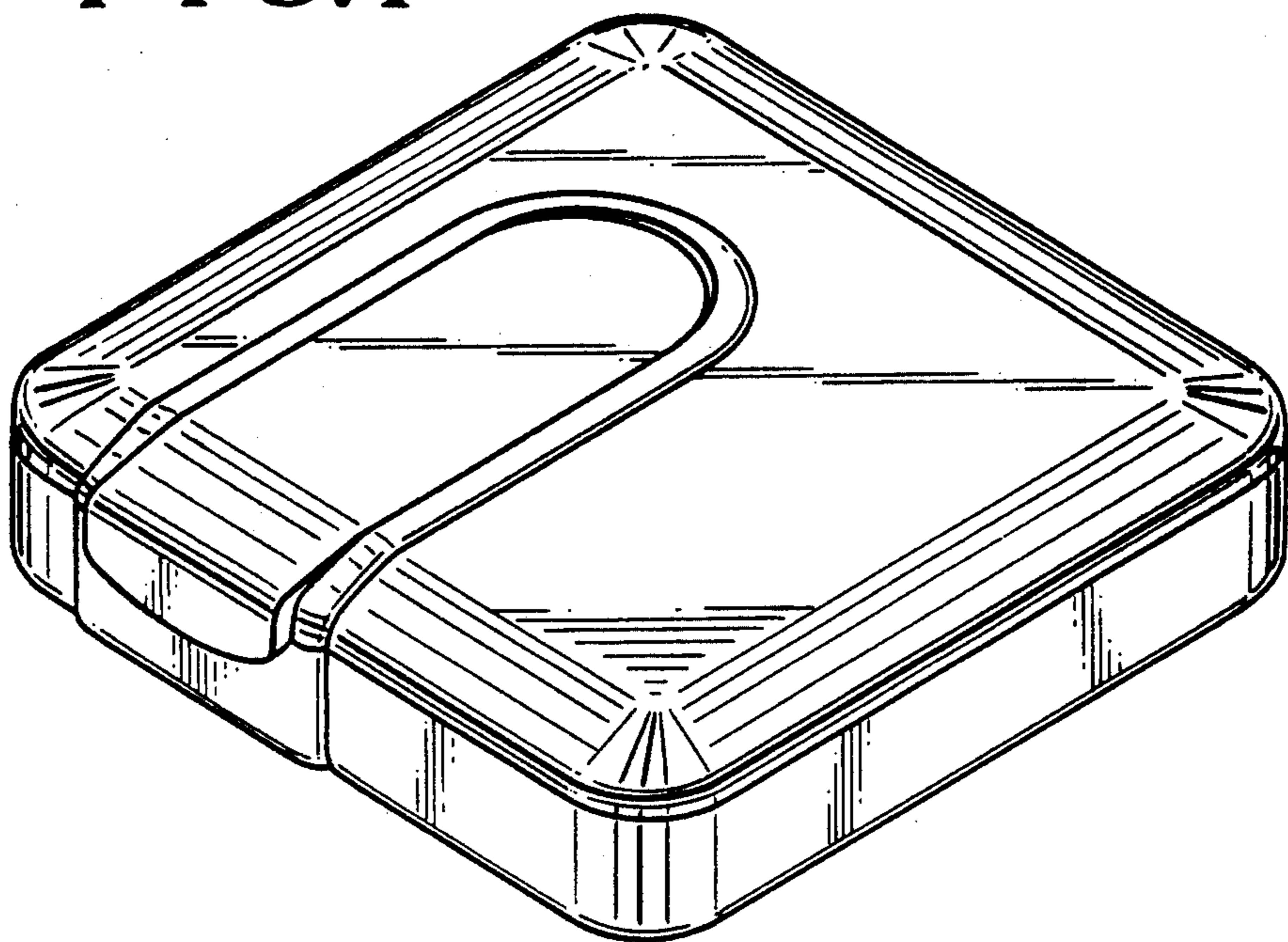


FIG. 2

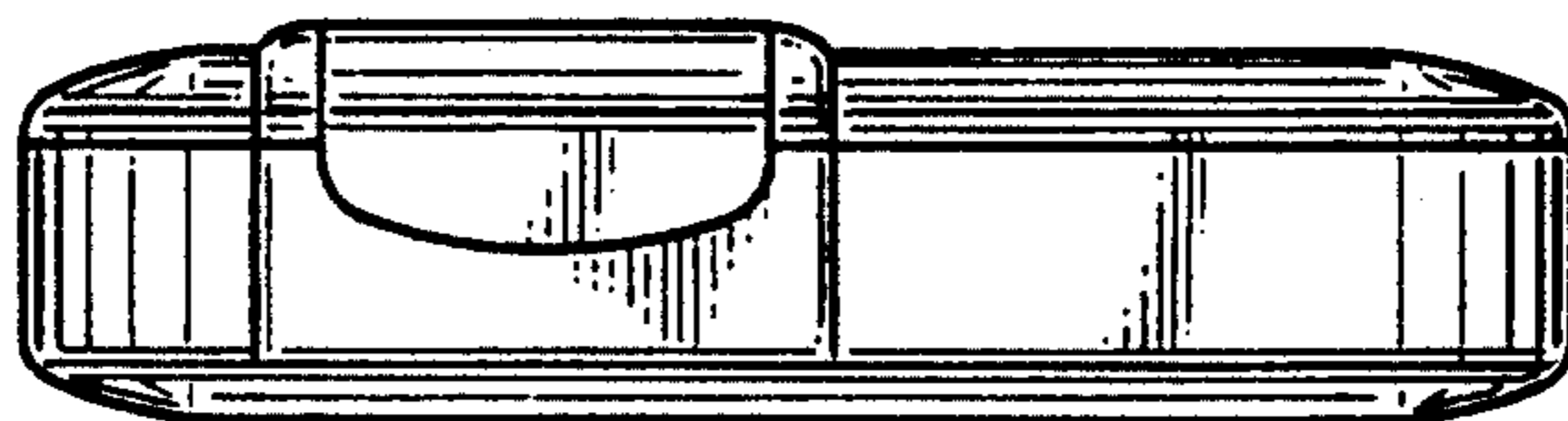


FIG. 3

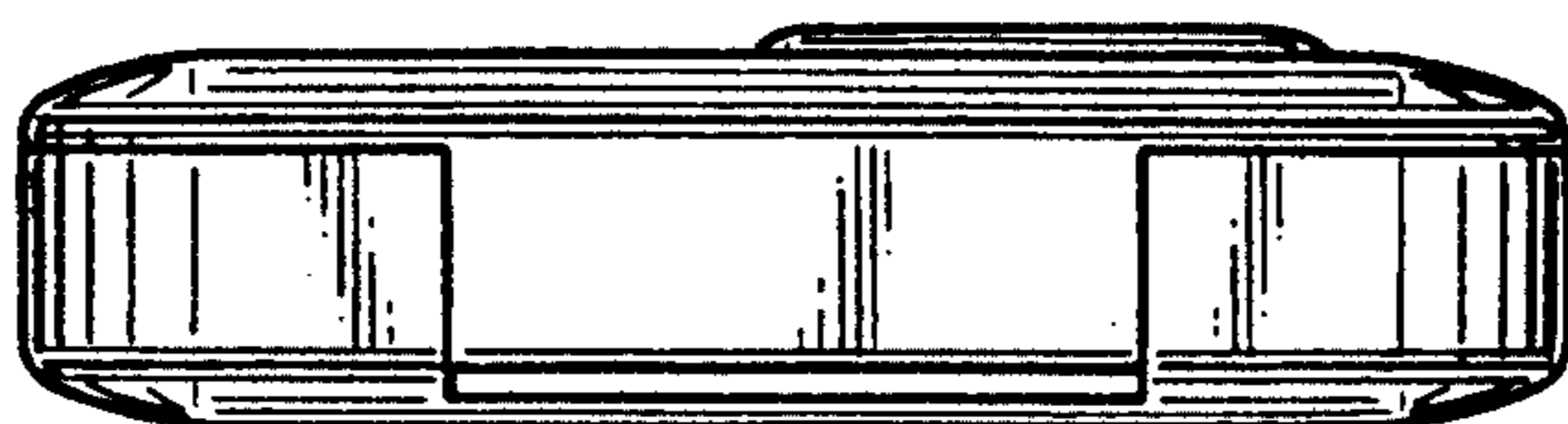


FIG.4

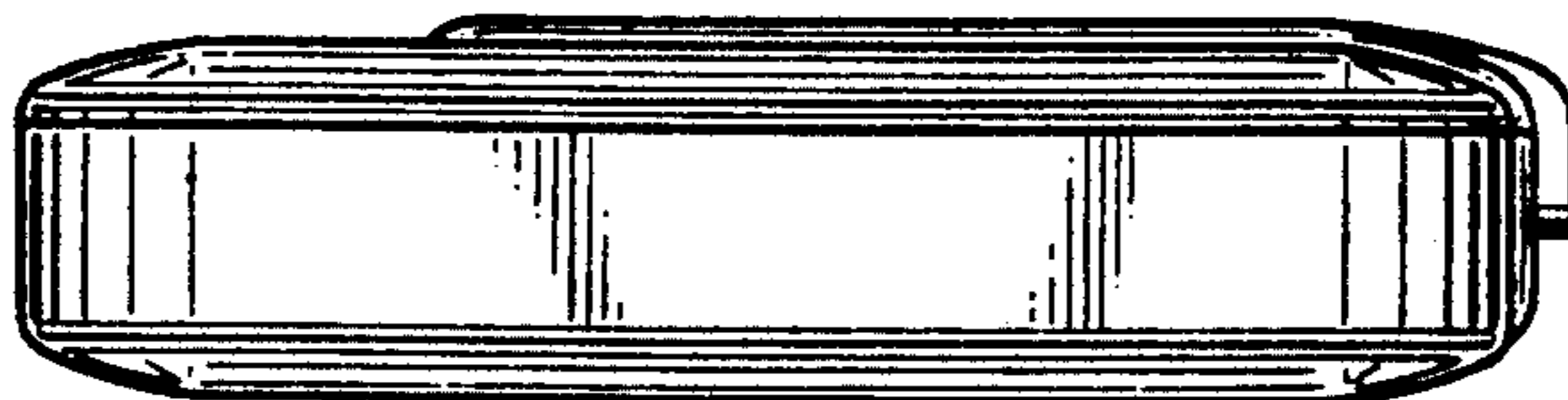


FIG.5

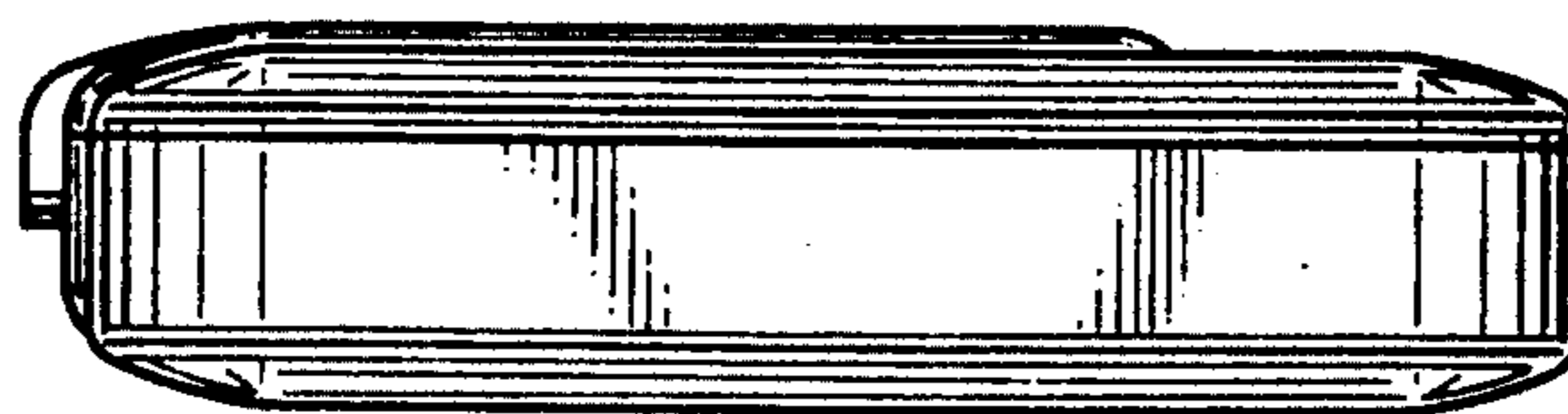


FIG.6

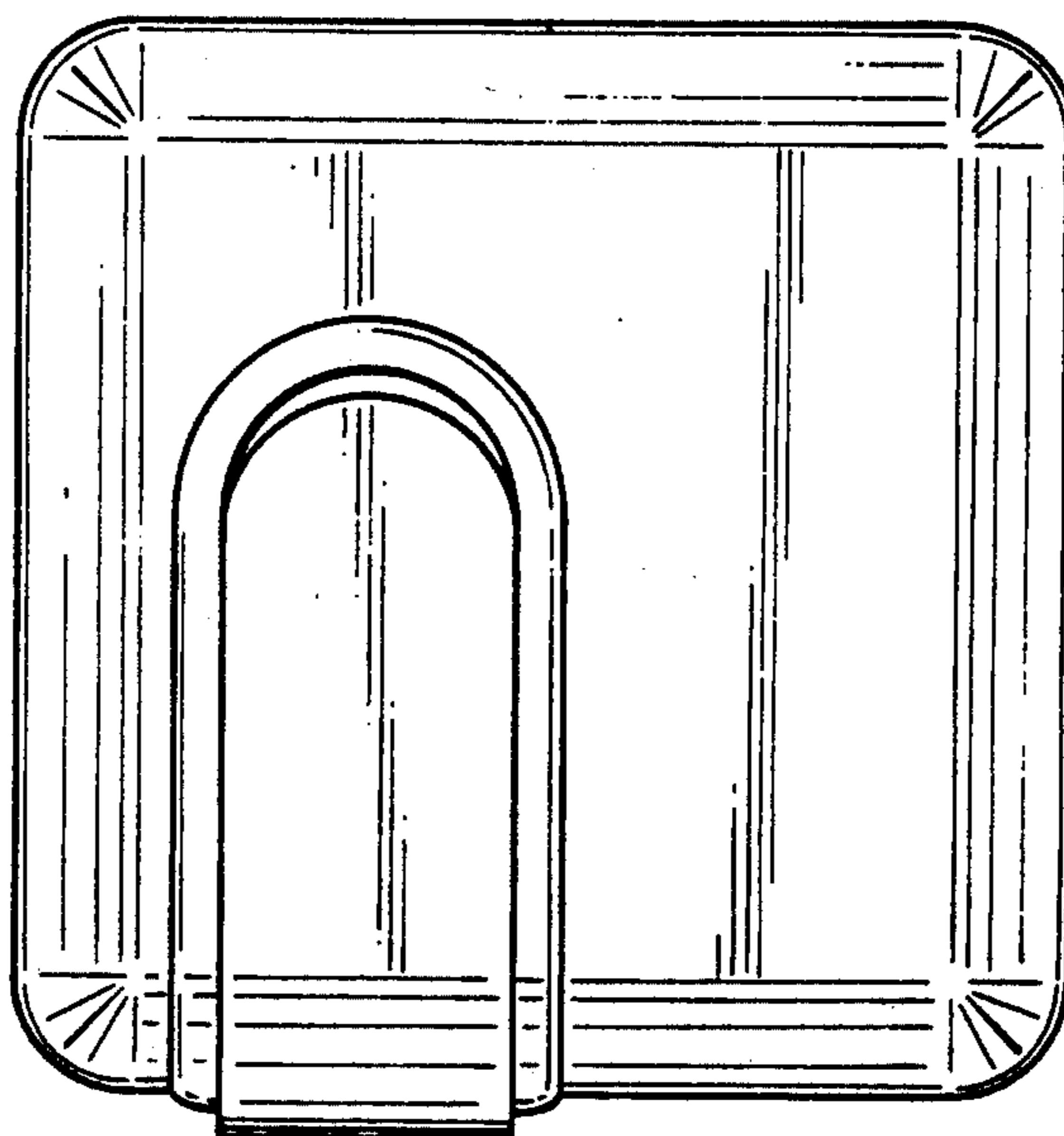


FIG. 7

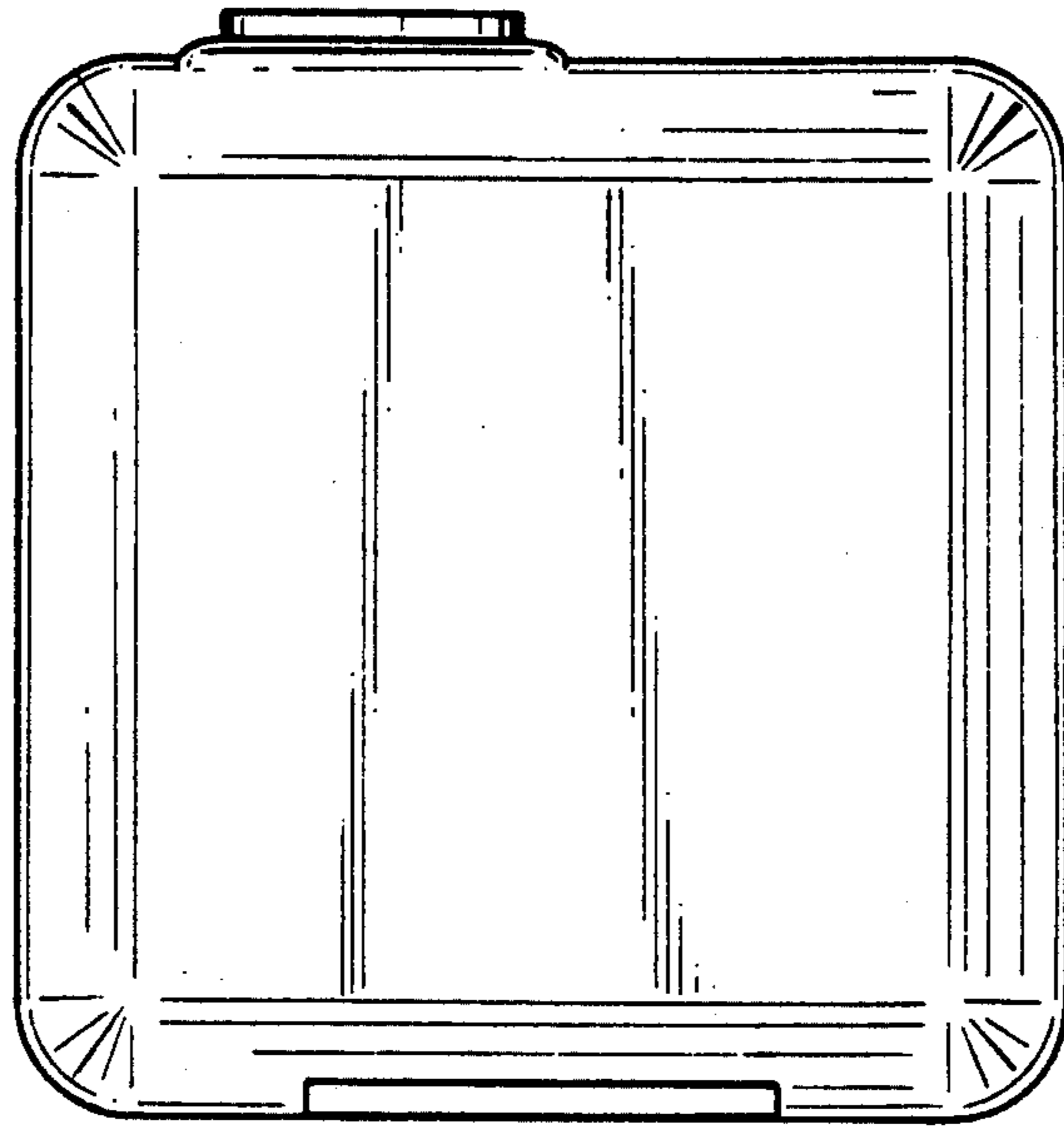


FIG. 8

