



US00D330910S

United States Patent [19]

[11] Patent Number: **Des. 330,910**

Warburton

[45] Date of Patent: **** Nov. 10, 1992**

[54] **COMBINED TWIN-NIBBED MARKER AND LEVEL**

[75] Inventor: **Edwin E. Warburton, 8510 Beaufort Dr., Fulton, Md. 20759**

[73] Assignee: **Edwin E. Warburton, Fulton, Md.**

[**] Term: **14 Years**

[21] Appl. No.: **641,558**

[22] Filed: **Jan. 16, 1991**

[52] U.S. Cl. **D19/36; D19/51; D19/57; D19/62; D19/69; 401/195**

[58] Field of Search **D10/62, 69; D19/35, D19/36, 41-51, 54-58, 81-85; 33/365, 367, 379, 381; 401/195, 52**

[56] **References Cited**

U.S. PATENT DOCUMENTS

- D. 92,705 7/1934 Deli D19/36
- D. 126,555 4/1941 Gurtov D19/36 X

- D. 159,125 6/1950 Wuestman D19/48
- D. 277,873 3/1985 Kin D19/36
- D. 279,992 8/1985 Gribb D19/43
- D. 286,163 10/1986 Shintani D19/49 X
- D. 306,316 2/1990 Shintani D19/36
- D. 306,873 3/1990 Yazaki D19/36
- D. 324,542 3/1992 Lin D19/36

Primary Examiner—Nelson C. Holtje
Assistant Examiner—Martha Thompson

[57] **CLAIM**

The ornamental design for a combined twin-nibbed marker and level as shown and described.

DESCRIPTION

FIG. 1 is a perspective view of a combined twin-nibbed marker and level showing my new design; FIG. 2 is a front elevational view; FIG. 3 is a side elevational view, the opposite side and rear views being identical thereto; and FIG. 4 is an end elevational view, the opposite end being a mirror image thereof.

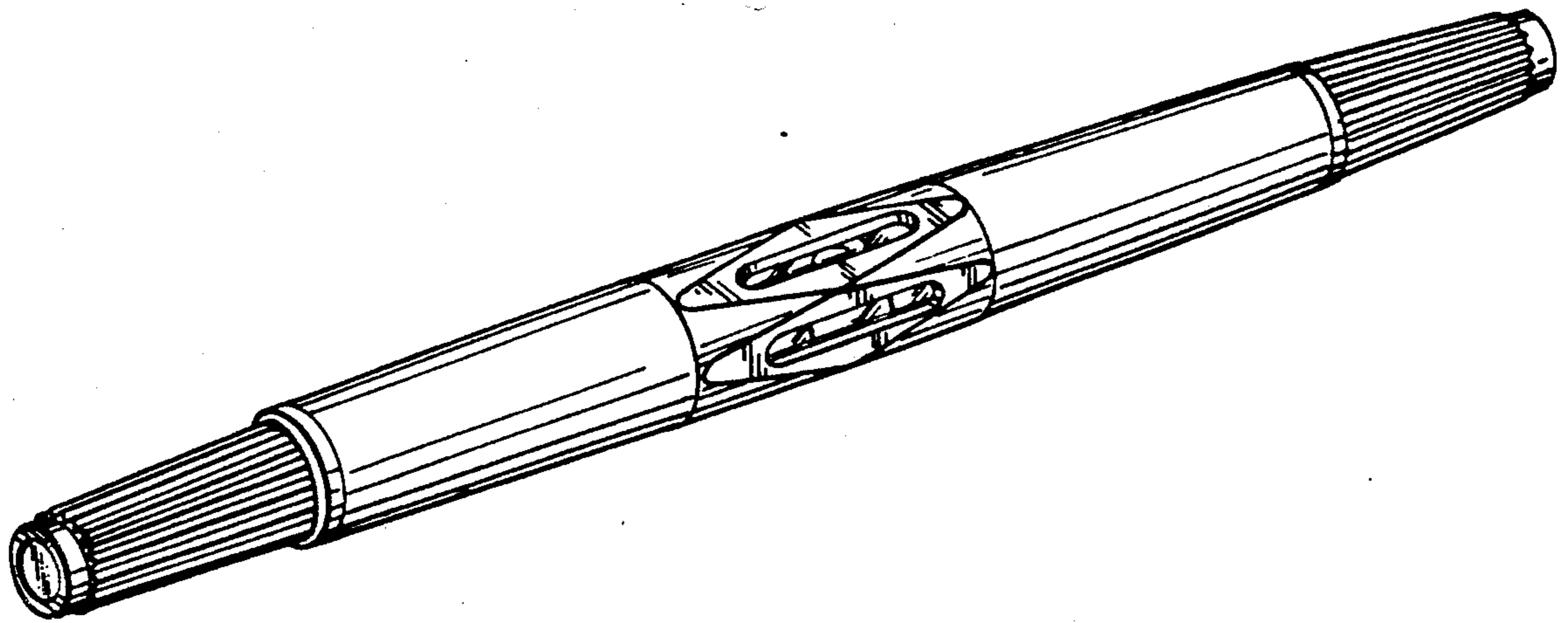


FIG. 1.

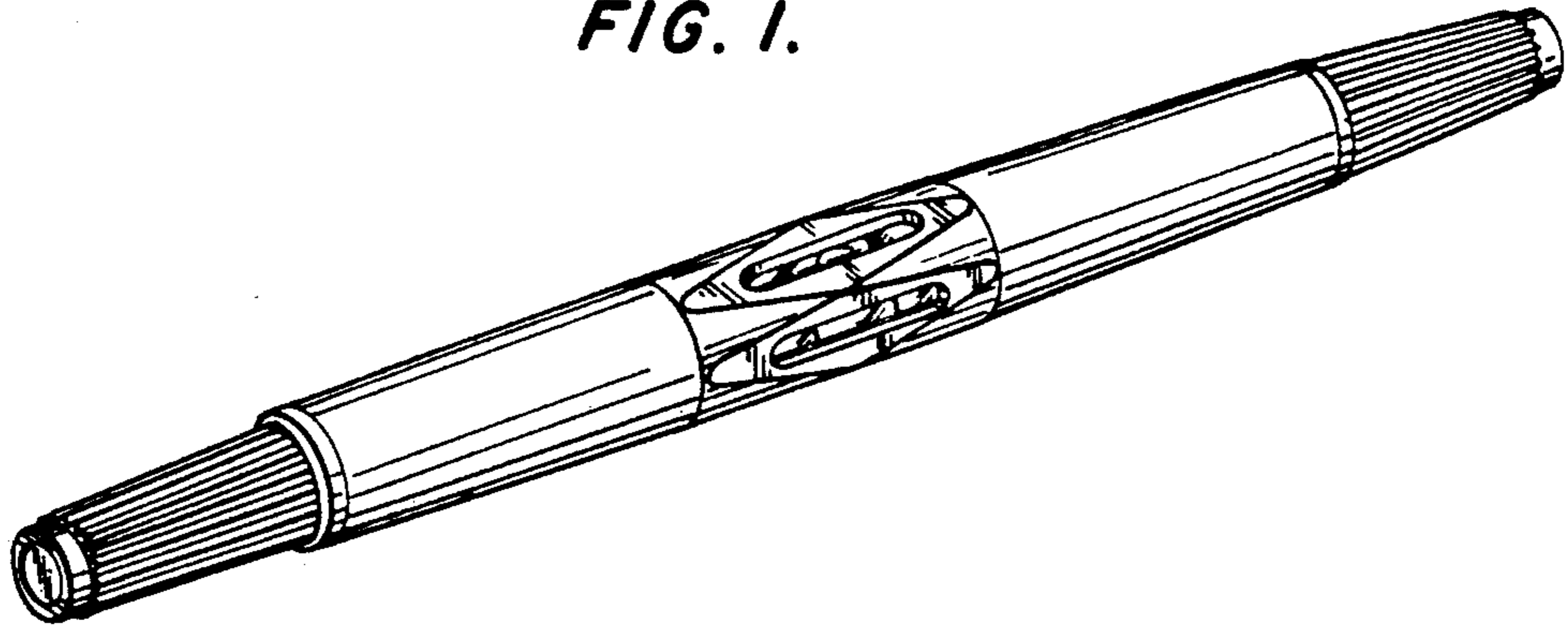


FIG. 2.



FIG. 3.



FIG. 4.

