



US00D330909S

United States Patent [19]

[11] Patent Number: **Des. 330,909**

Nishida

[45] Date of Patent: **** Nov. 10, 1992**

[54] **BANK NOTE SORTING, COUNTING AND BUNDLING MACHINE**

[75] Inventor: **Yoshiaki Nishida, Tokyo, Japan**

[73] Assignee: **Kabushiki Kaisha Toshiba, Kawasaki, Japan**

[**] Term: **14 Years**

[21] Appl. No.: **589,886**

[22] Filed: **Sep. 26, 1990**

[30] **Foreign Application Priority Data**

Mar. 29, 1990 [JP] Japan 2-10344

[52] U.S. Cl. **D18/47; D18/3; D18/39; D18/48; D18/99**

[58] Field of Search **D18/36, 37, 38, 39, D18/53, 3, 47, 48; D14/111, 112, 116, 118; 355/200, 210, 231, 233-236, 245, 326-328, 43, 44-45, 49-51, 66, 112; 346/108, 153.1, 160; 354/5, 6, 14, 100**

[56] **References Cited**

U.S. PATENT DOCUMENTS

- D. 252,272 7/1979 Barrett D18/47
- D. 279,479 7/1985 Hilton D18/3
- D. 279,791 7/1985 Nishida D18/3
- D. 281,787 12/1985 Nishida D18/3
- D. 282,307 1/1986 Nishida D18/3

- D. 288,823 3/1987 Nishida D18/3
- D. 295,109 4/1988 Nishida D18/3
- D. 295,569 5/1988 Nishida D18/3
- D. 310,073 8/1990 Sadler et al. D18/48
- D. 318,464 7/1991 Izaki D18/48

OTHER PUBLICATIONS

De La Rue Systems 3200 Series Currency Sorting Systems, date unknown.

Primary Examiner—Nelson C. Holtje

Assistant Examiner—Ann Hunt

Attorney, Agent, or Firm—Oblon, Spivak, McClelland, Maier & Neustadt

[57] **CLAIM**

The ornamental design for a bank note sorting, counting and bundling machine, as shown and described.

DESCRIPTION

FIG. 1 is a front, top right perspective view of a bank note sorting, counting and bundling machine showing my new design, with the outlets shown in an open position;

FIG. 2 is a front elevational view thereof;

FIG. 3 is a top plan view thereof;

FIG. 4 is a left side elevational view thereof;

FIG. 5 is a right side elevational view thereof;

FIG. 6 is a rear elevational view thereof; and

FIG. 7 is a bottom plan view thereof.

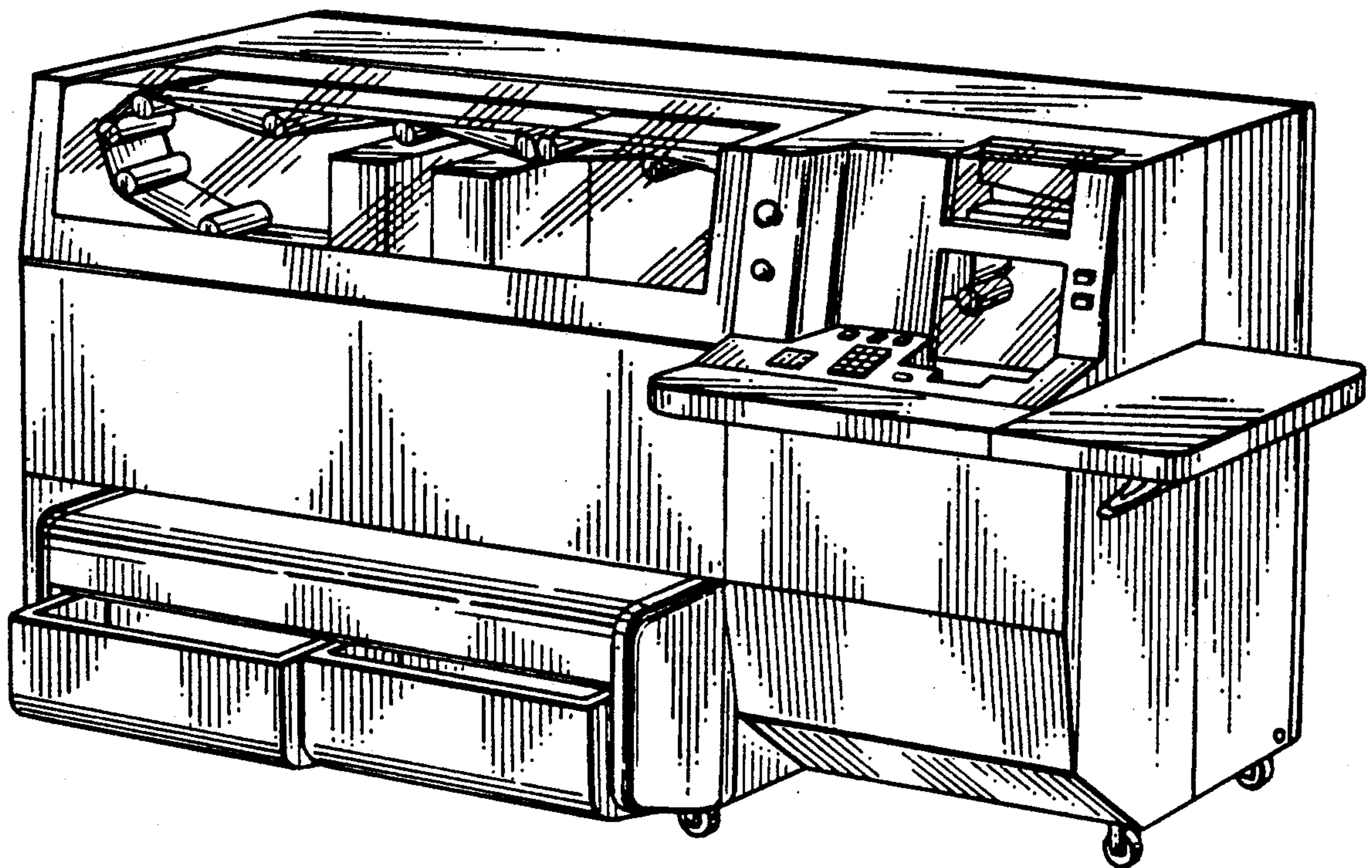


FIG. 1

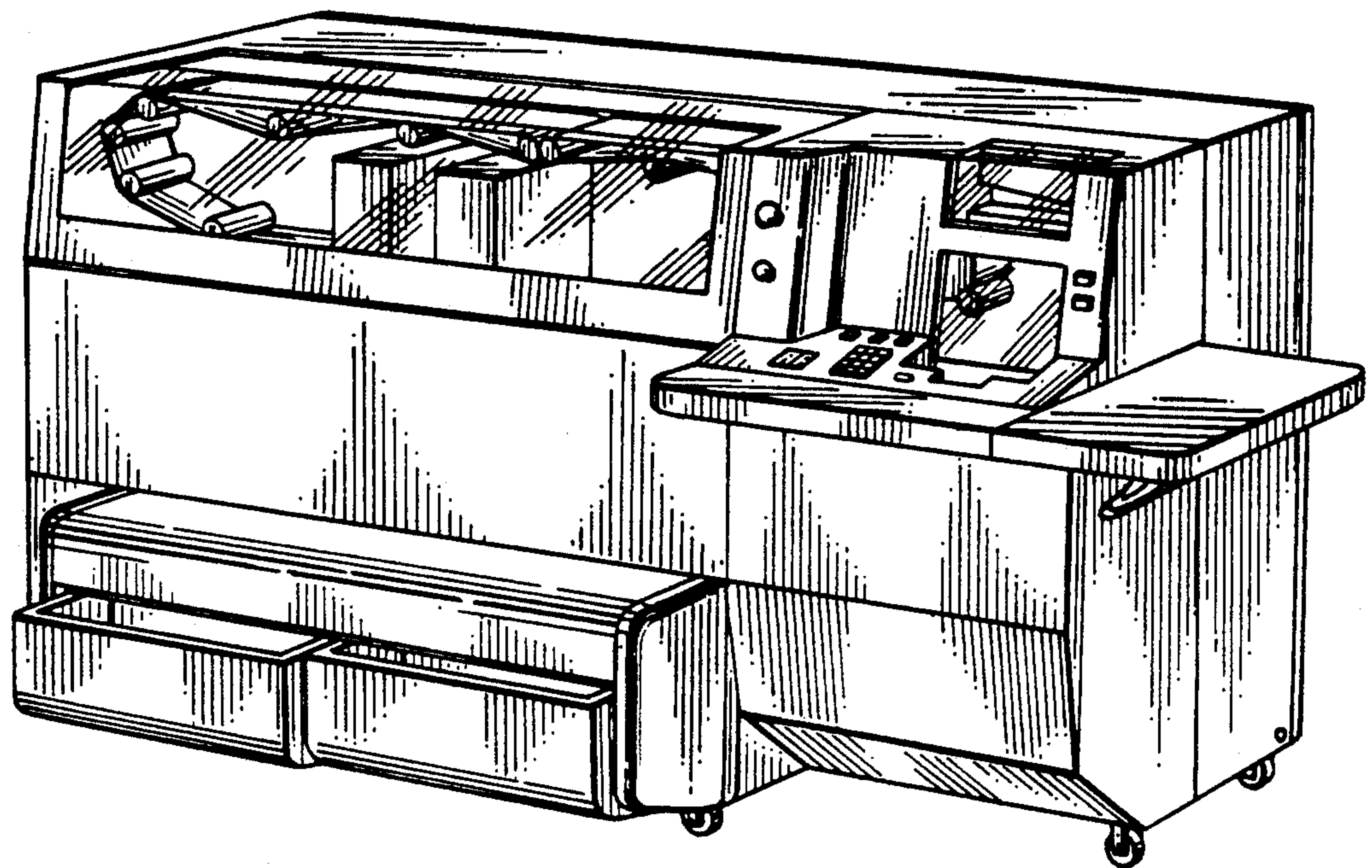


FIG. 2

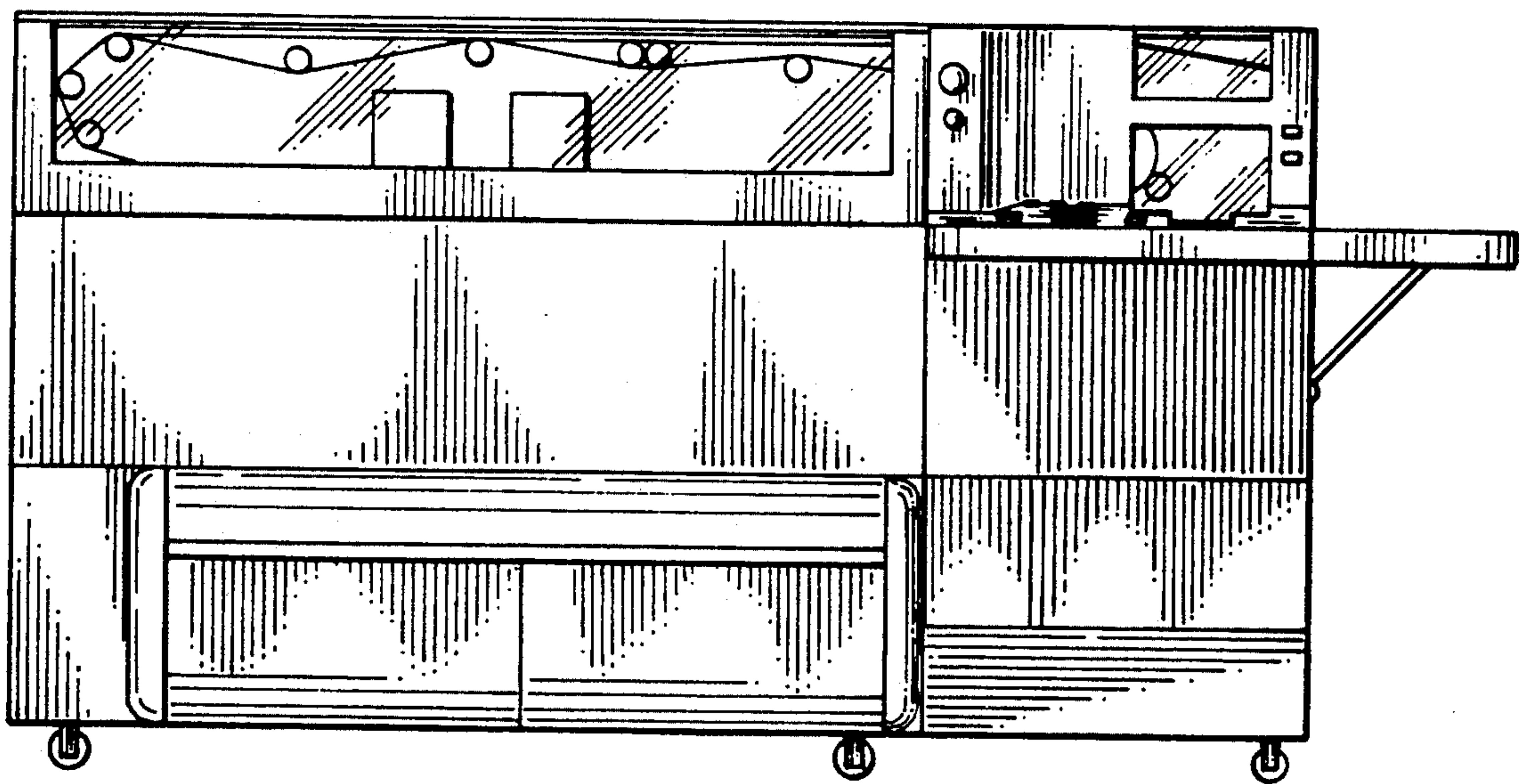


FIG. 3

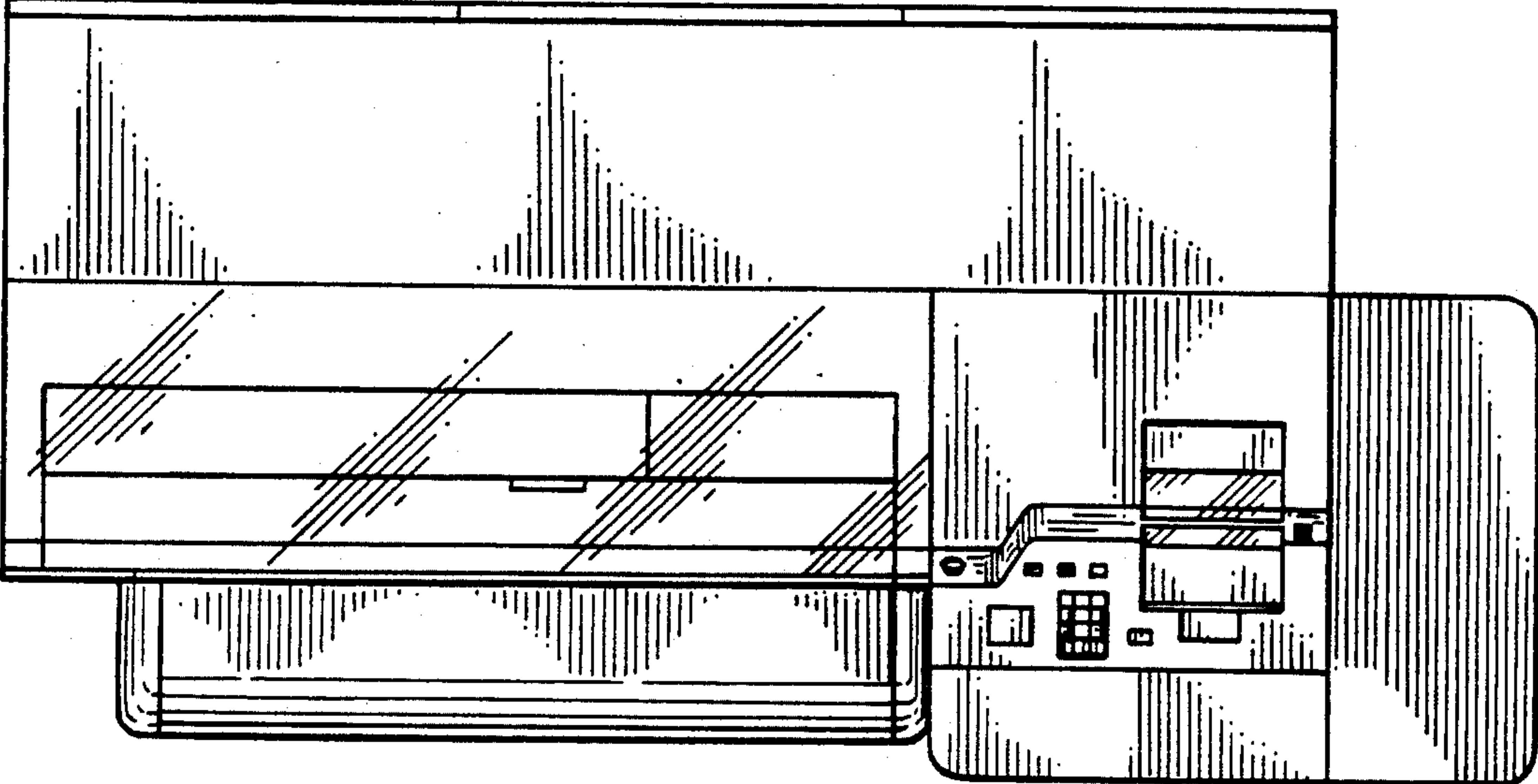


FIG. 4

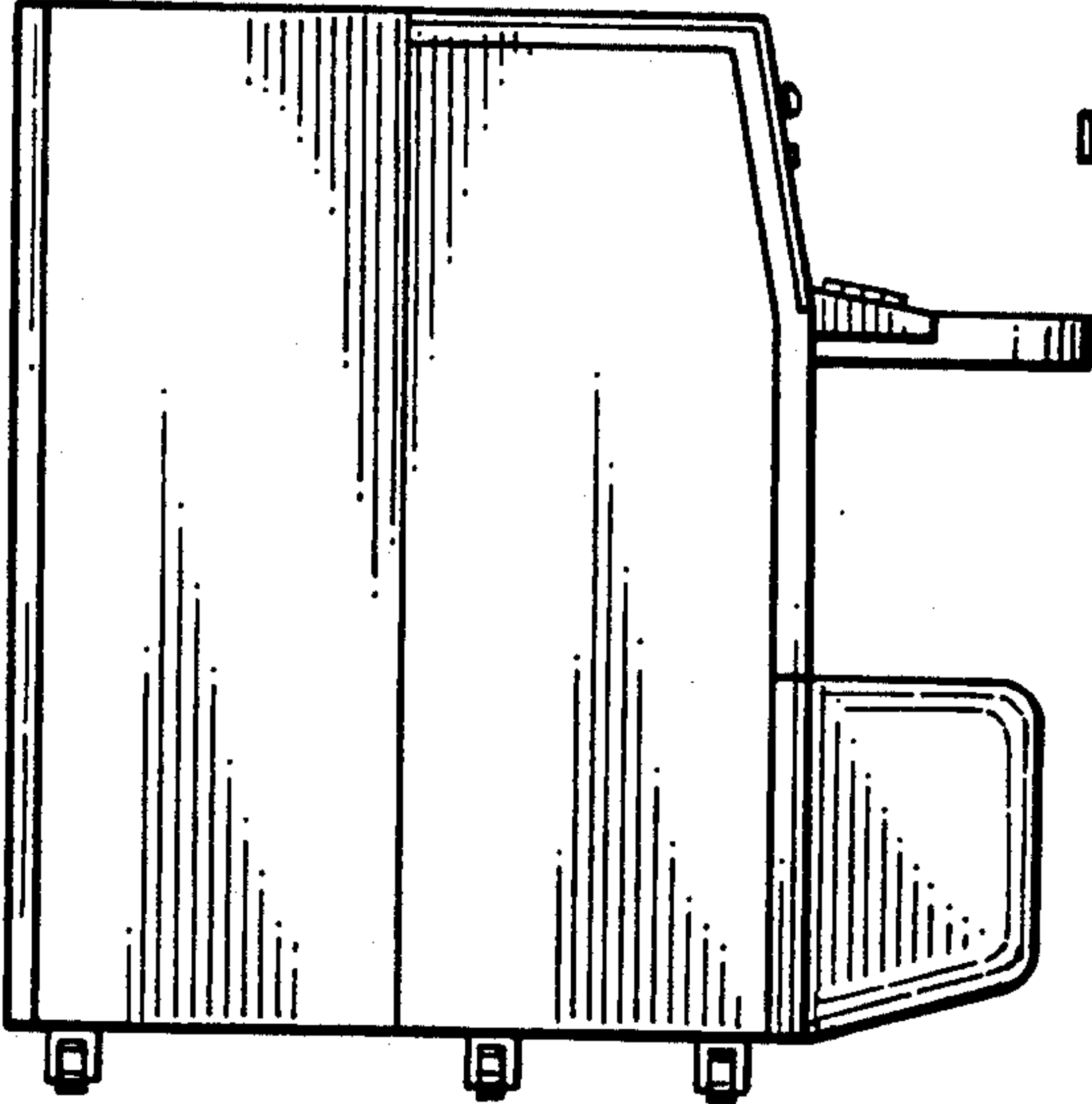


FIG. 5

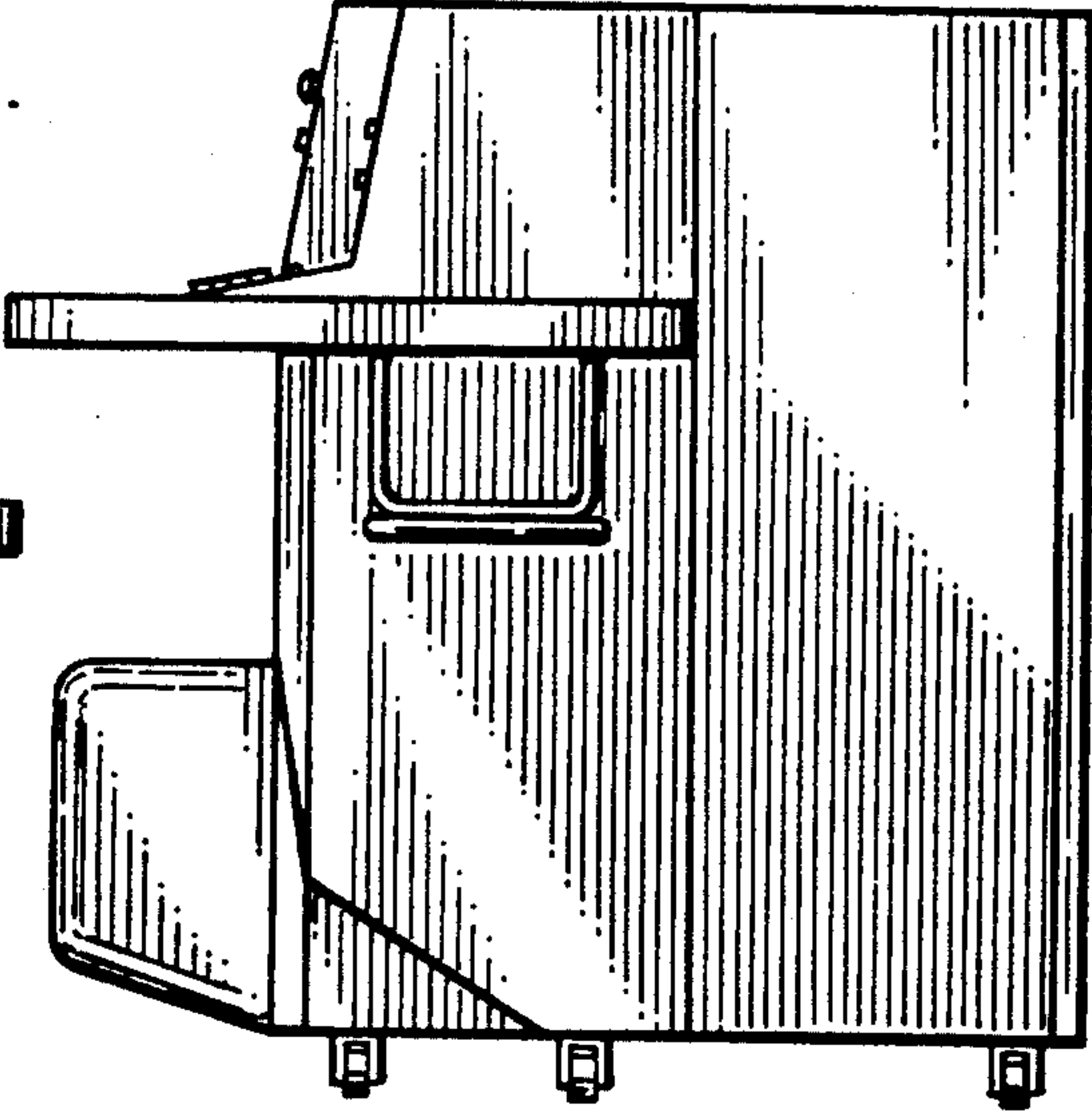


FIG. 6

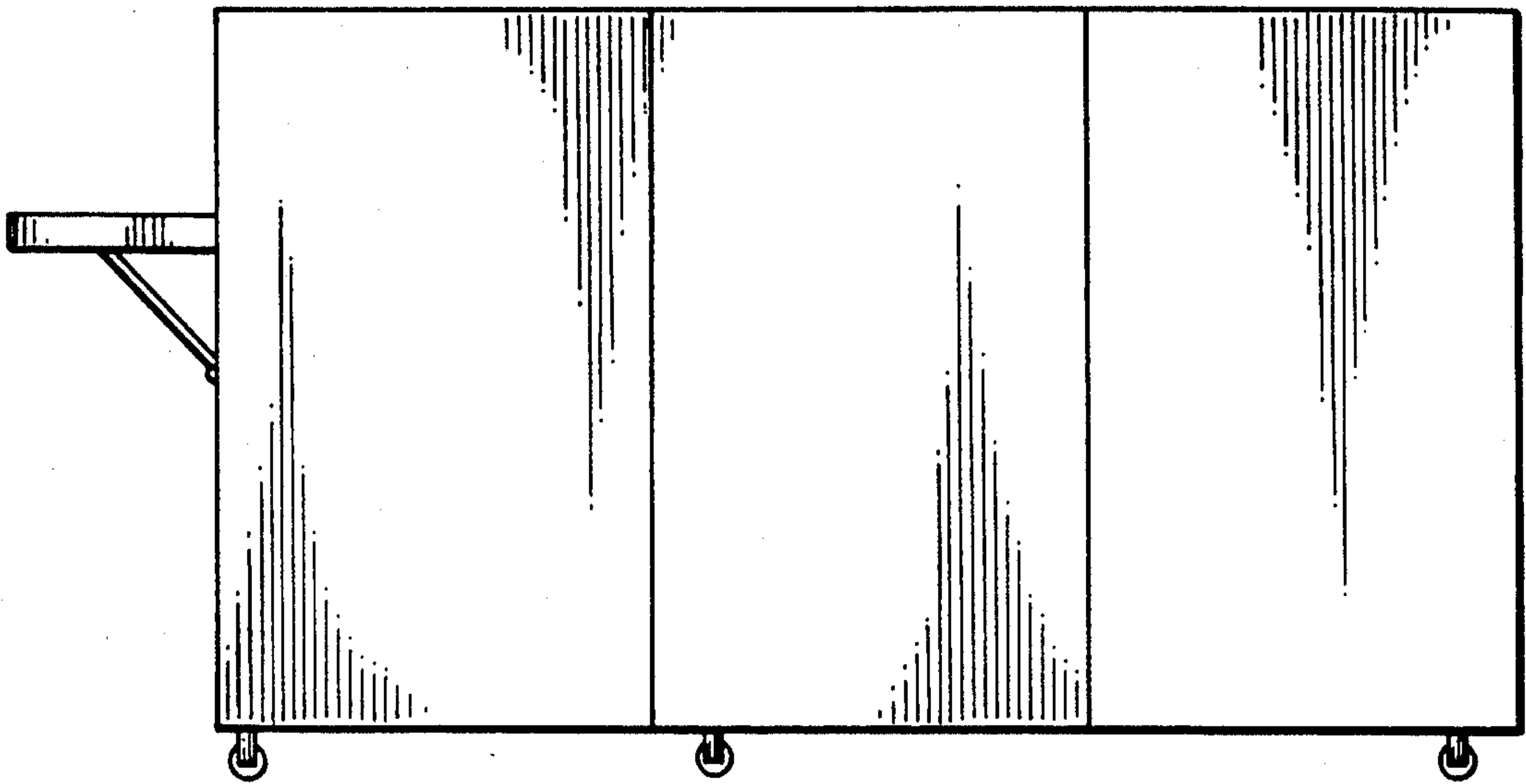


FIG. 7

