



US00D330908S

United States Patent [19]

[11] Patent Number: **Des. 330,908**

Kawaishi et al.

[45] Date of Patent: **** Nov. 10, 1992**

[54] **CASH REGISTER**

D. 303,537 9/1989 Kato et al. D18/4
D. 303,538 9/1989 Kato et al. D18/4

[75] Inventors: **Masayoshi Kawaishi; Katsuhiro Ishida**, both of Osaka, Japan

OTHER PUBLICATIONS

[73] Assignee: **Sharp Corporation**, Osaka, Japan

Office Products Dealer, Jun. 1982, p. 74, Electronic Cash Register, center right of page.

[**] Term: **14 Years**

Primary Examiner—Nelson C. Holtje

[21] Appl. No.: **507,294**

Assistant Examiner—Ann Hunt

[22] Filed: **Apr. 10, 1990**

Attorney, Agent, or Firm—Flehr, Hohbach, Test, Albritton & Herbert

[30] **Foreign Application Priority Data**

[57] **CLAIM**

Oct. 17, 1989 [JP] Japan 1-37984

The ornamental design for a cash register, as shown and described.

[52] U.S. Cl. **D18/4**

[58] Field of Search D18/3, 4, 6, 7, 11;
D14/100, 105, 106, 113; 235/1 D, 1 E, 2, 4, 7 R,
10, 12, 379, 380, 419; 364/404, 405

DESCRIPTION

[56] **References Cited**

FIG. 1 is a perspective view of a cash register showing our new design;

U.S. PATENT DOCUMENTS

FIG. 2 is a top plan view thereof;

FIG. 3 is a bottom plan view thereof;

D. 277,107 1/1985 Sakamoto D18/4

FIG. 4 is a front elevational view thereof;

D. 301,589 6/1989 Makidera D18/4

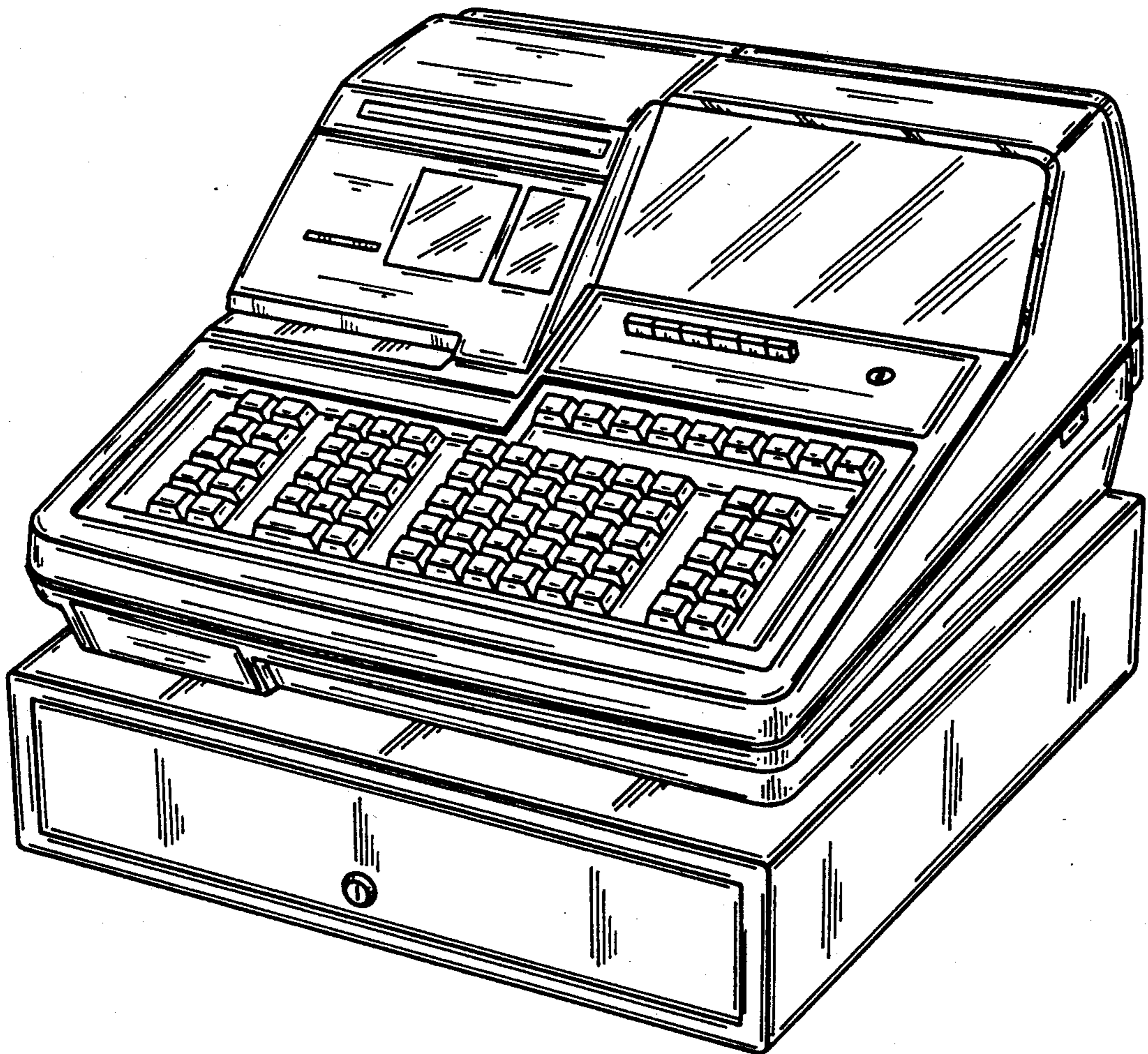
FIG. 5 is a rear elevational view thereof;

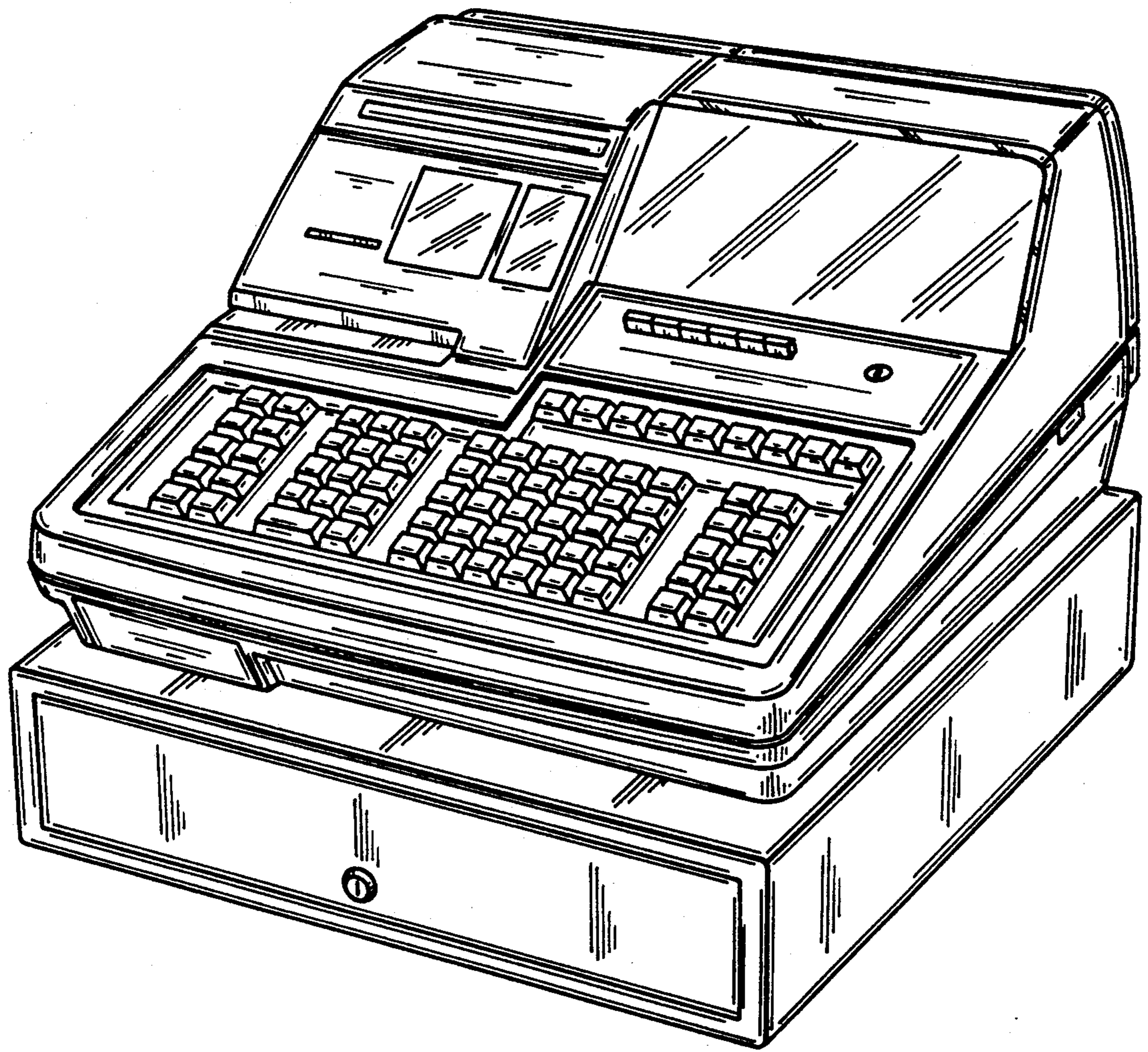
D. 302,021 7/1989 Kato et al. D18/4

FIG. 6 is a right side elevational view thereof; and,

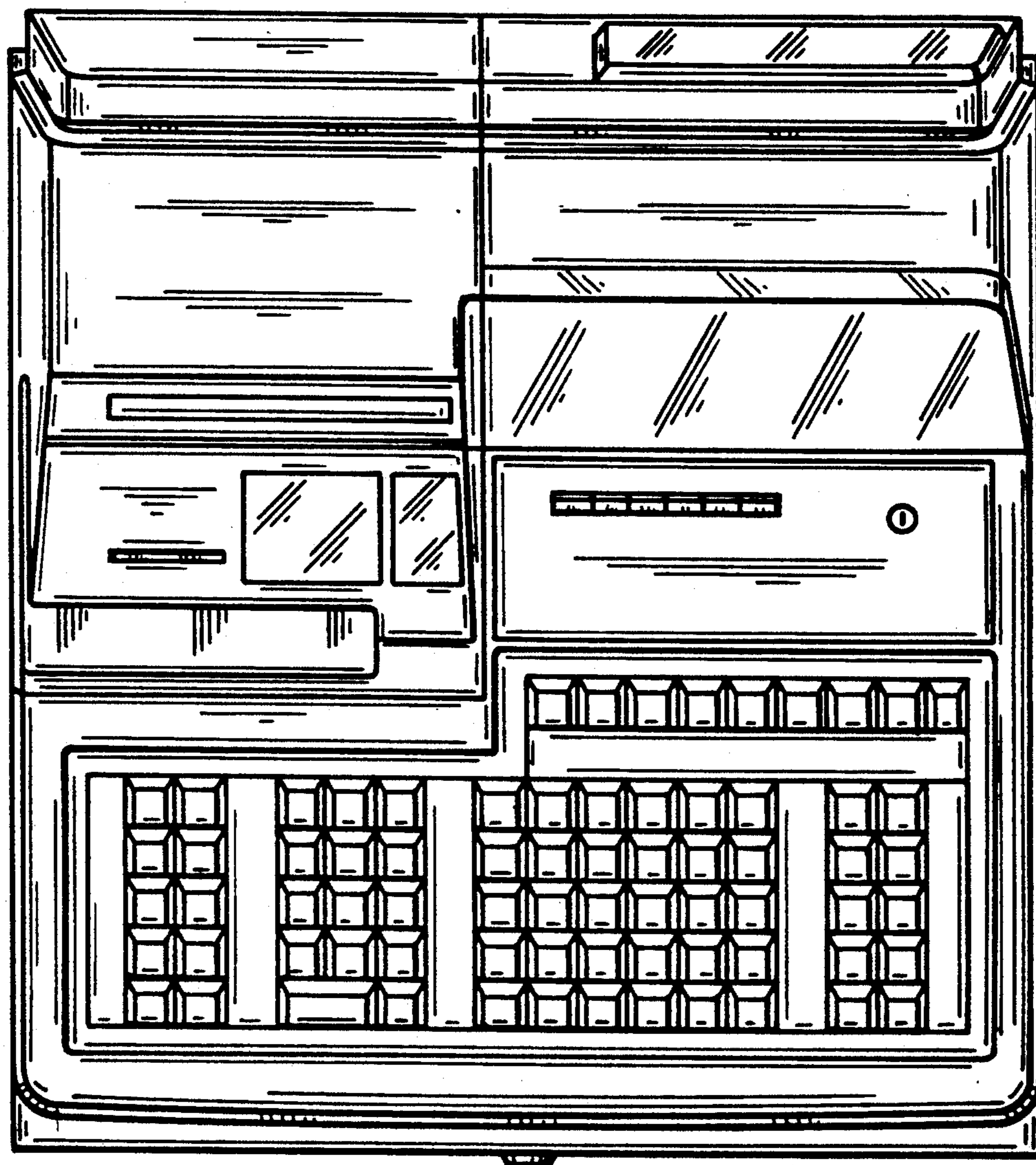
D. 302,023 7/1989 Makidera D18/4

FIG. 7 is a left side elevational view thereof.

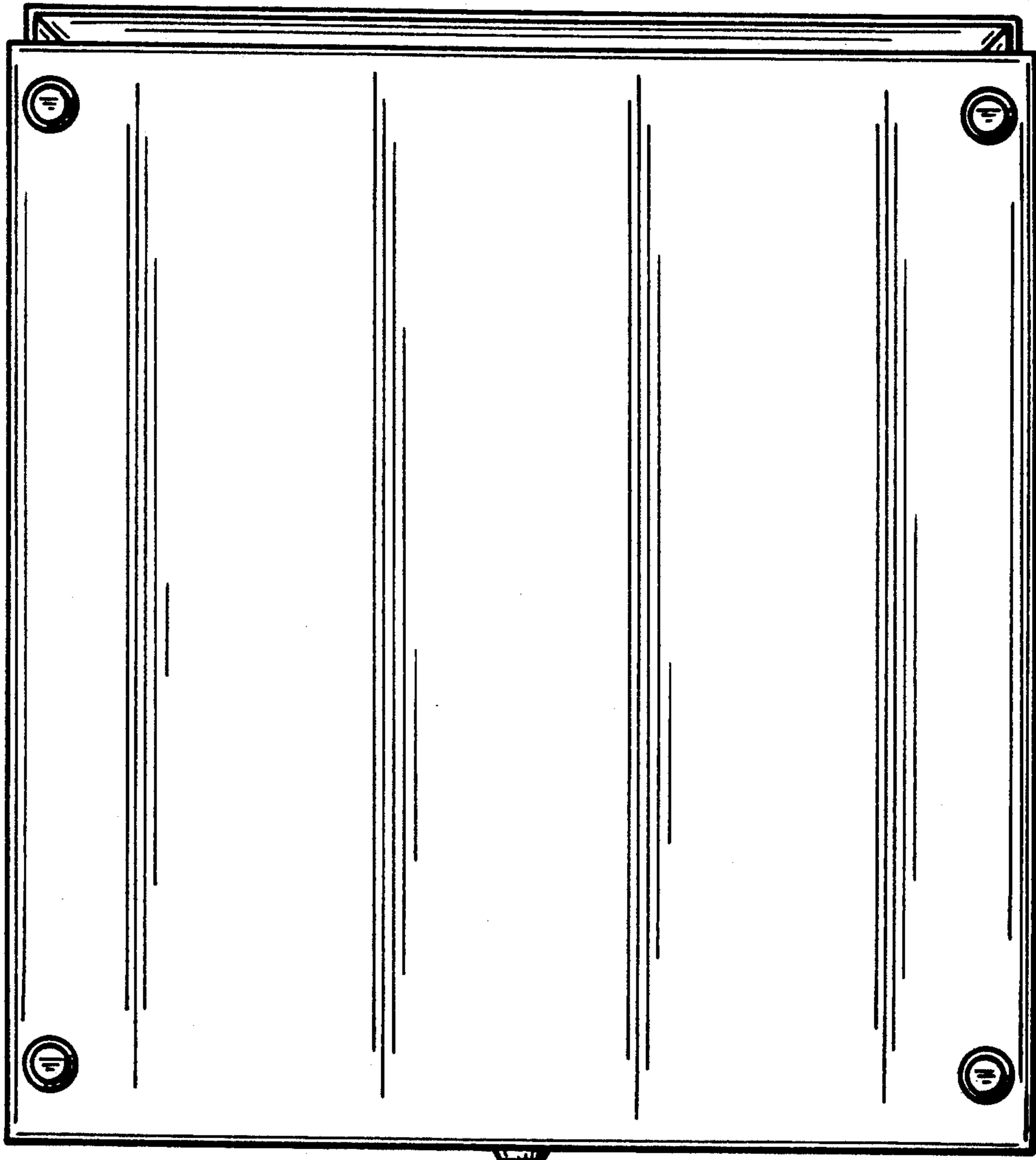




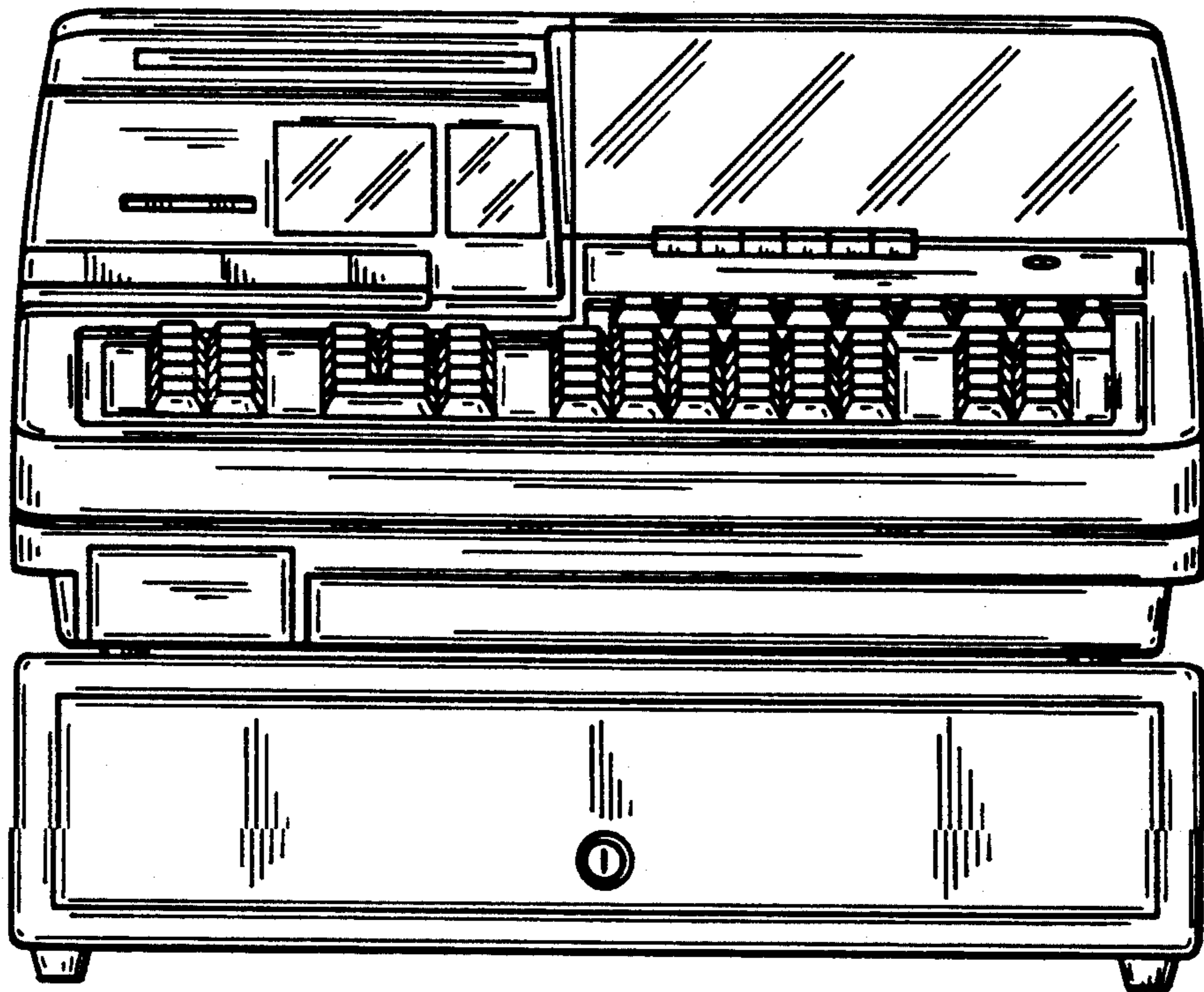
FIG_1



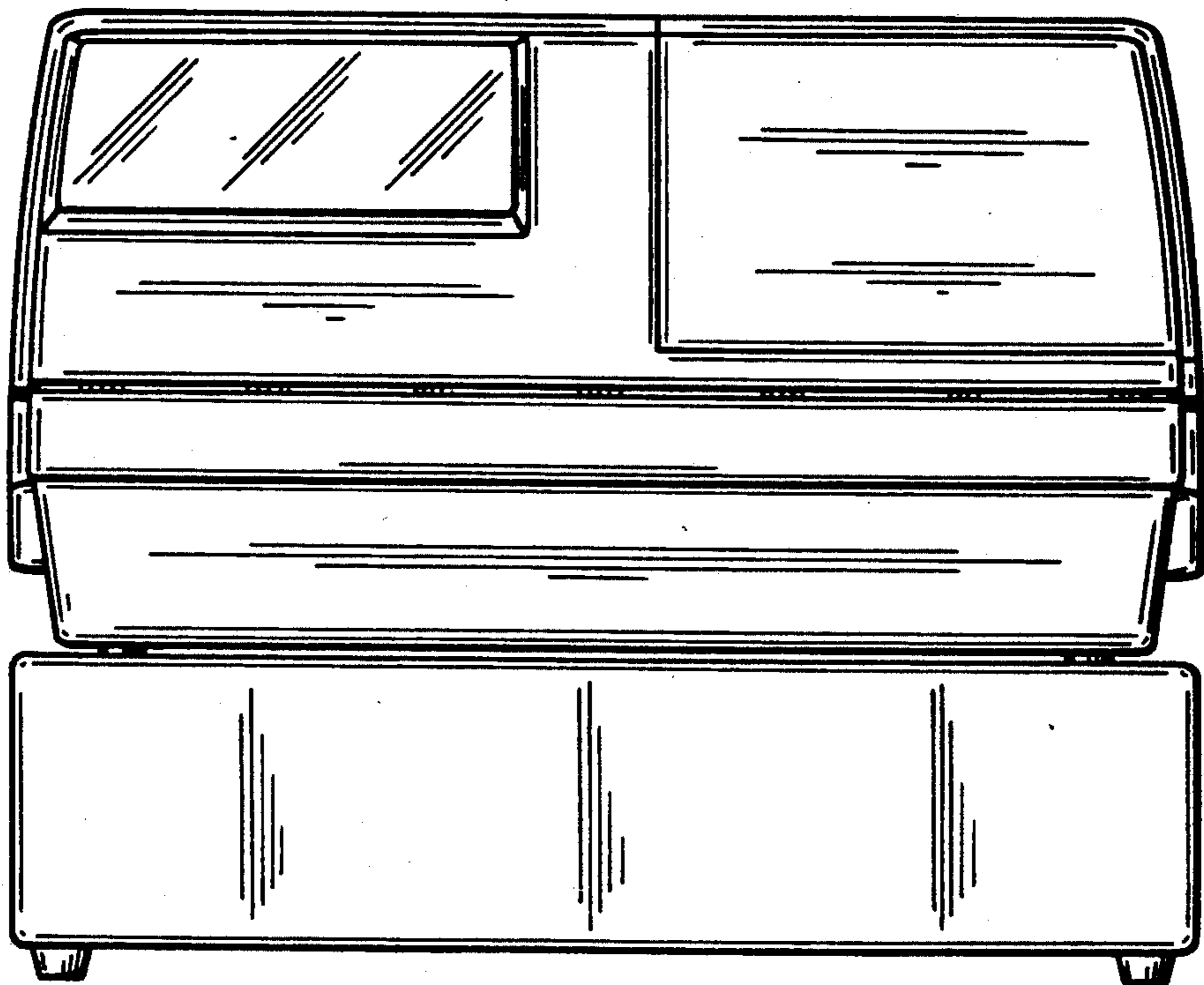
FIG_2



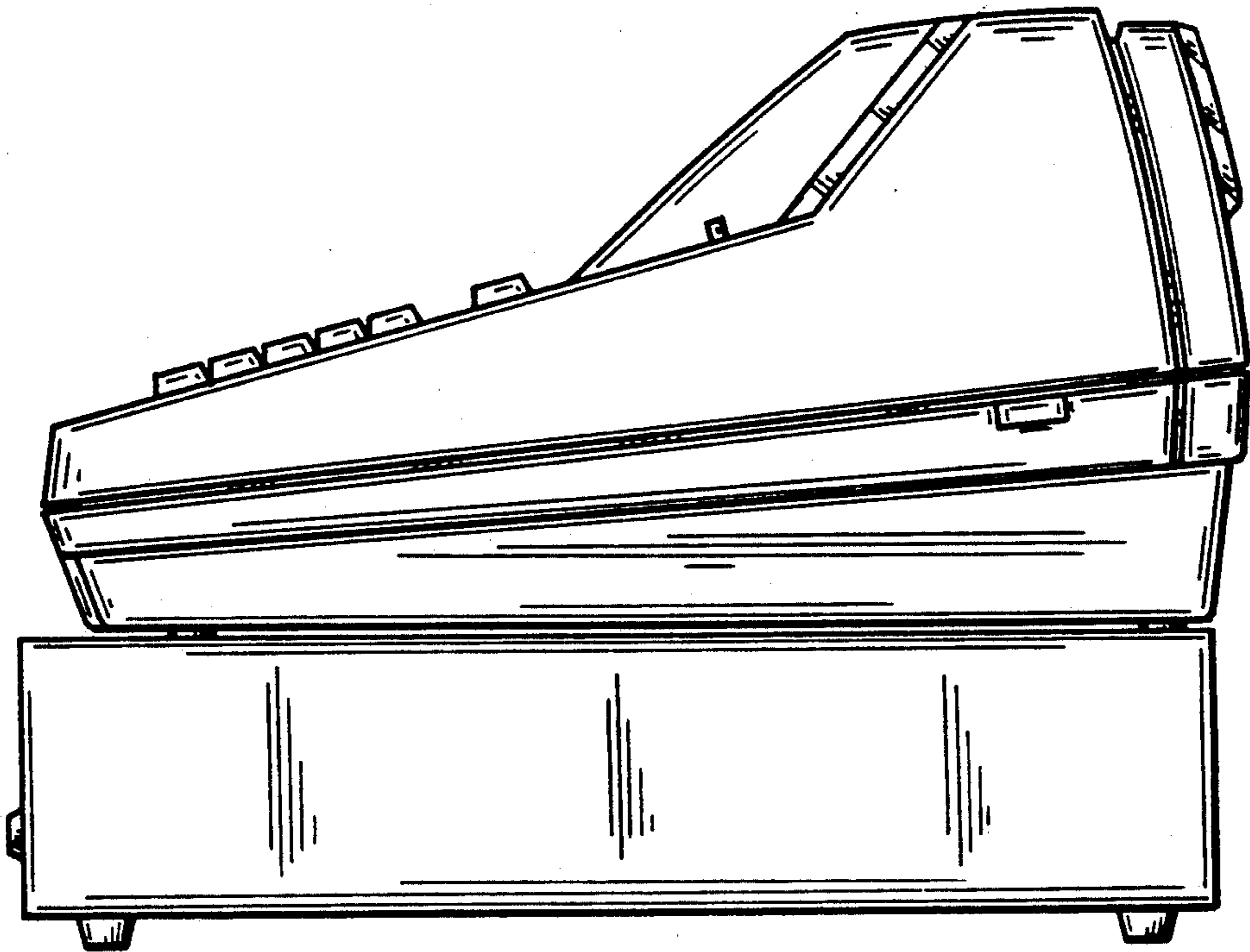
FIG_3



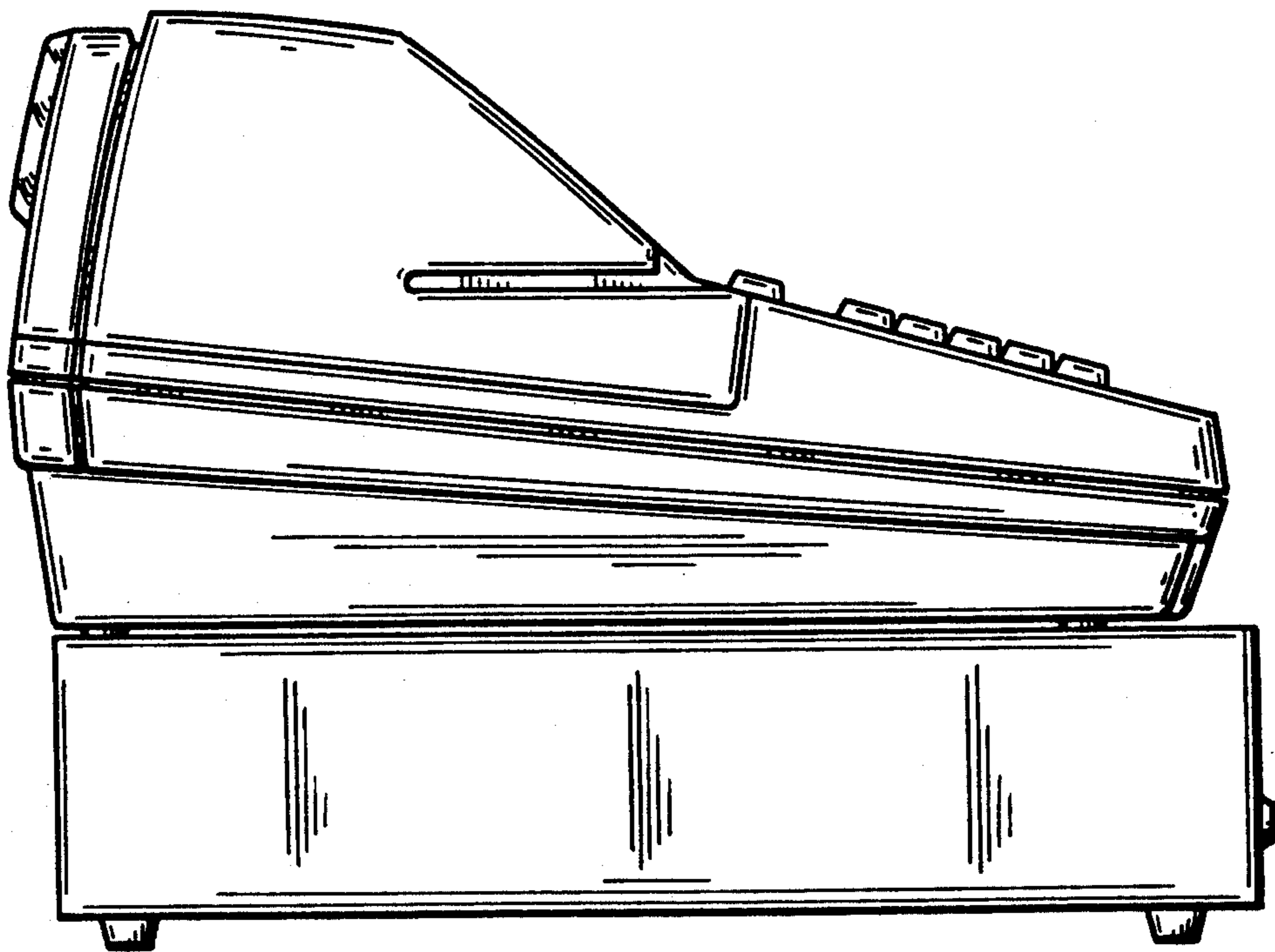
FIG_4



FIG_5



FIG_6



FIG_7