



US00D330904S

# United States Patent [19]

Sasaki

[11] Patent Number: **Des. 330,904**

[45] Date of Patent: **\*\* Nov. 10, 1992**

[54] **GRIP FOR TELEVISION CAMERA**

[75] Inventor: **Hiroaki Sasaki, Yokohama, Japan**

[73] Assignee: **Canon Kabushiki Kaisha, Tokyo, Japan**

[\*\*] Term: **14 Years**

[21] Appl. No.: **565,118**

[22] Filed: **Aug. 10, 1990**

[30] **Foreign Application Priority Data**

Feb. 13, 1990 [JP] Japan ..... 2-4152

[52] U.S. Cl. .... **D16/243; D16/219**

[58] Field of Search ..... **D16/200-206, D16/219, 242, 243, 237; 224/908; 352/242, 243; 354/82, 293**

[56] **References Cited**

**U.S. PATENT DOCUMENTS**

- D. 294,034 2/1988 Yoshida et al. .... D16/219
- D. 319,068 8/1991 Shinano ..... D16/243
- 4,699,486 10/1987 Konno et al. .... 354/82

- 4,757,335 7/1988 Muryoi et al. .... 354/82
- 4,875,065 10/1989 Kubodera et al. .... 354/82

**FOREIGN PATENT DOCUMENTS**

- 1324767 3/1963 France ..... 352/243

*Primary Examiner*—Bernard Ansher  
*Assistant Examiner*—Adir Aronovich  
*Attorney, Agent, or Firm*—Fitzpatrick, Cella, Harper & Scinto

[57] **CLAIM**

The ornamental design for a grip for television camera, as shown and described.

**DESCRIPTION**

FIG. 1 is a front elevational view of a grip for television camera showing my new design;  
 FIG. 2 is a rear elevational view thereof;  
 FIG. 3 is a top plan view thereof;  
 FIG. 4 is a bottom plan view thereof;  
 FIG. 5 is a left side elevational view thereof;  
 FIG. 6 is a right side elevational view thereof; and,  
 FIG. 7 is a perspective view thereof.

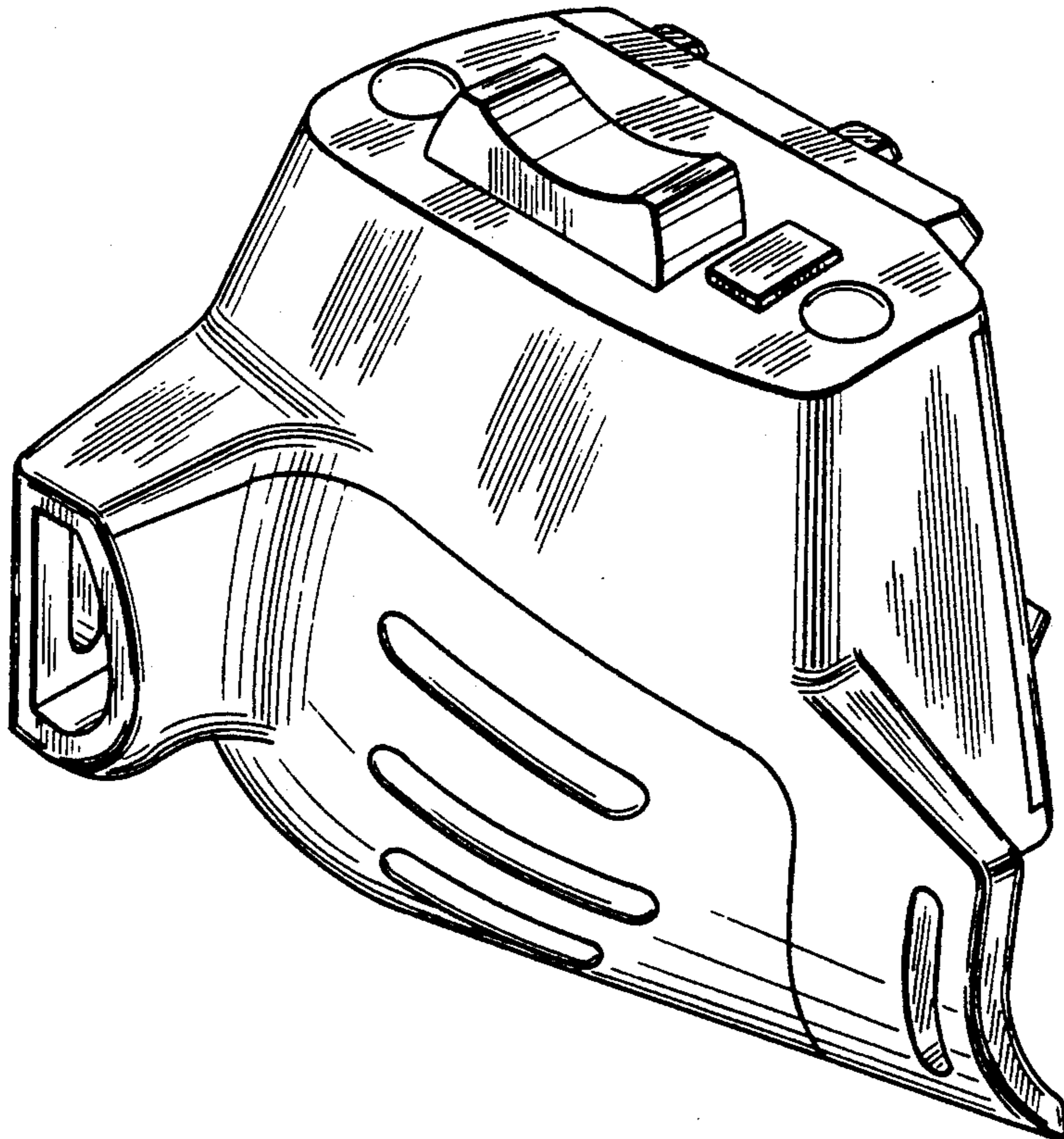


FIG. 1

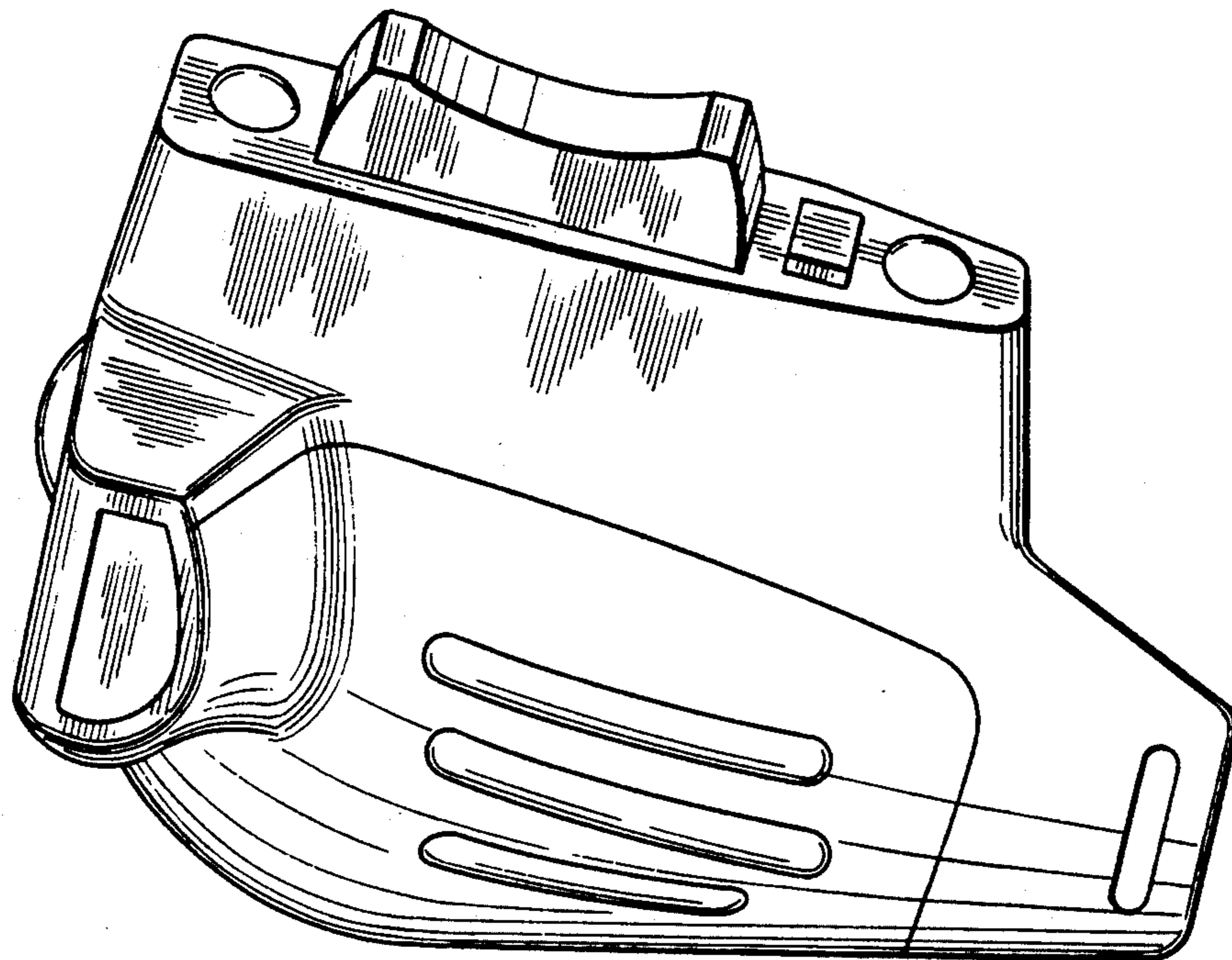


FIG. 2

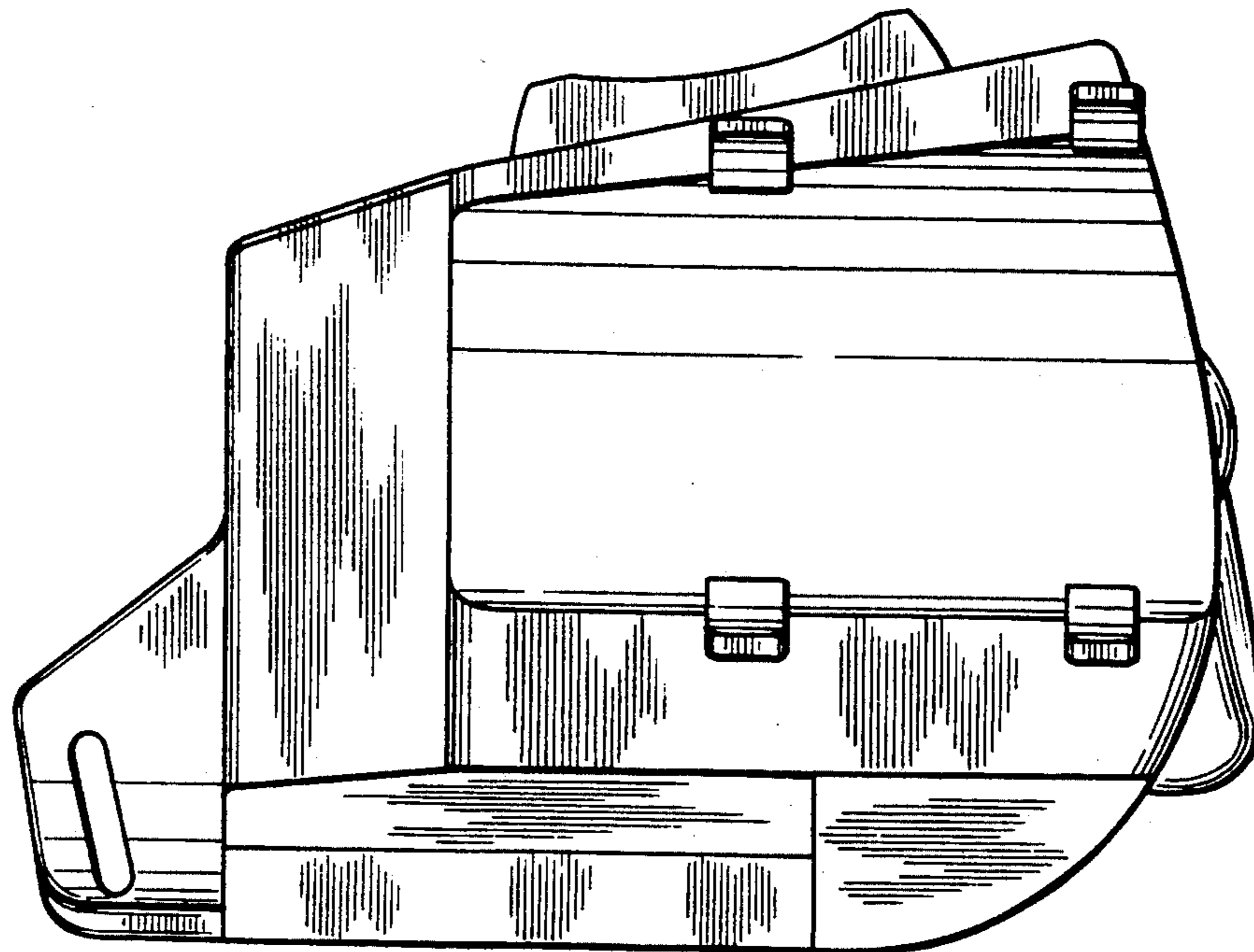


FIG. 3

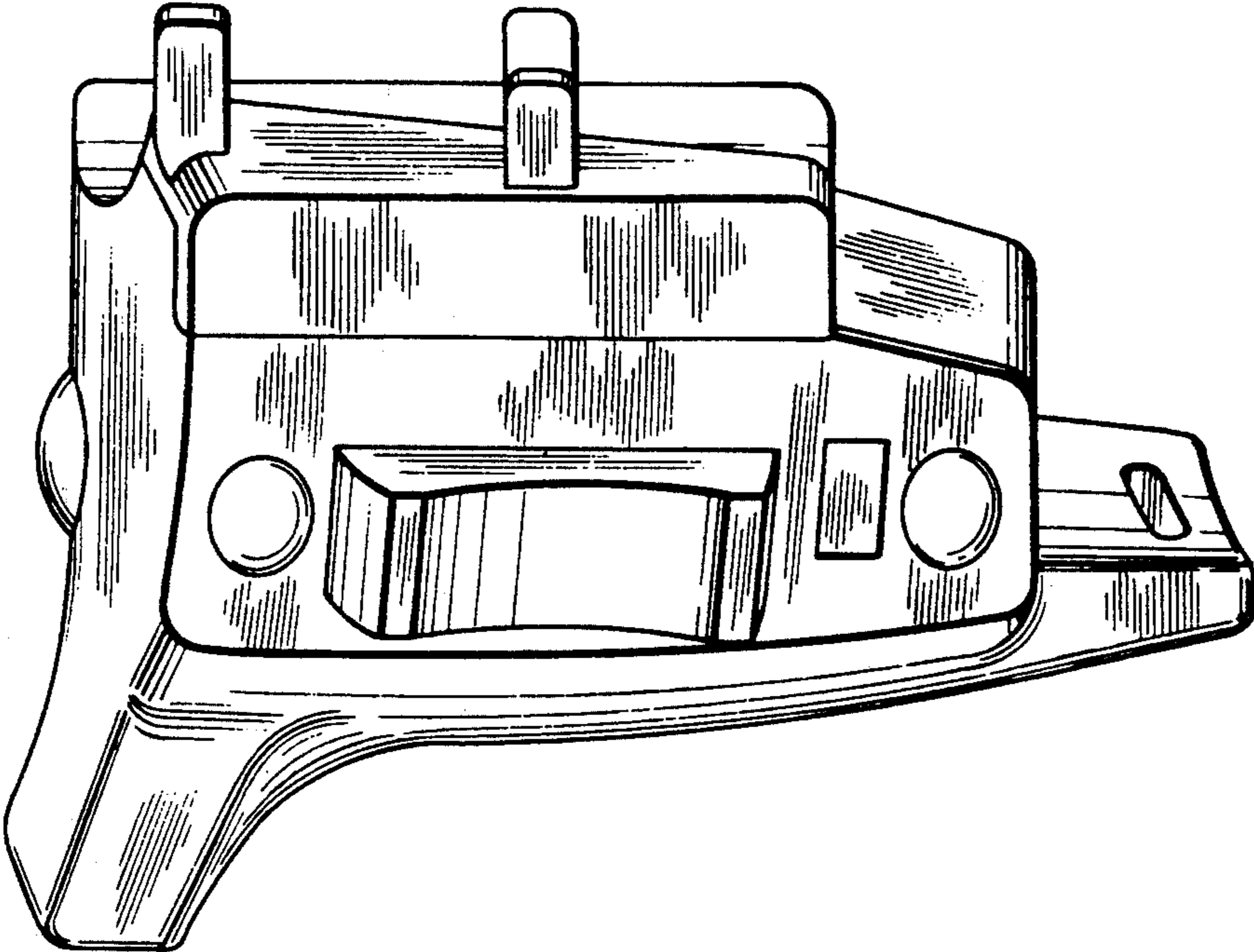


FIG. 4

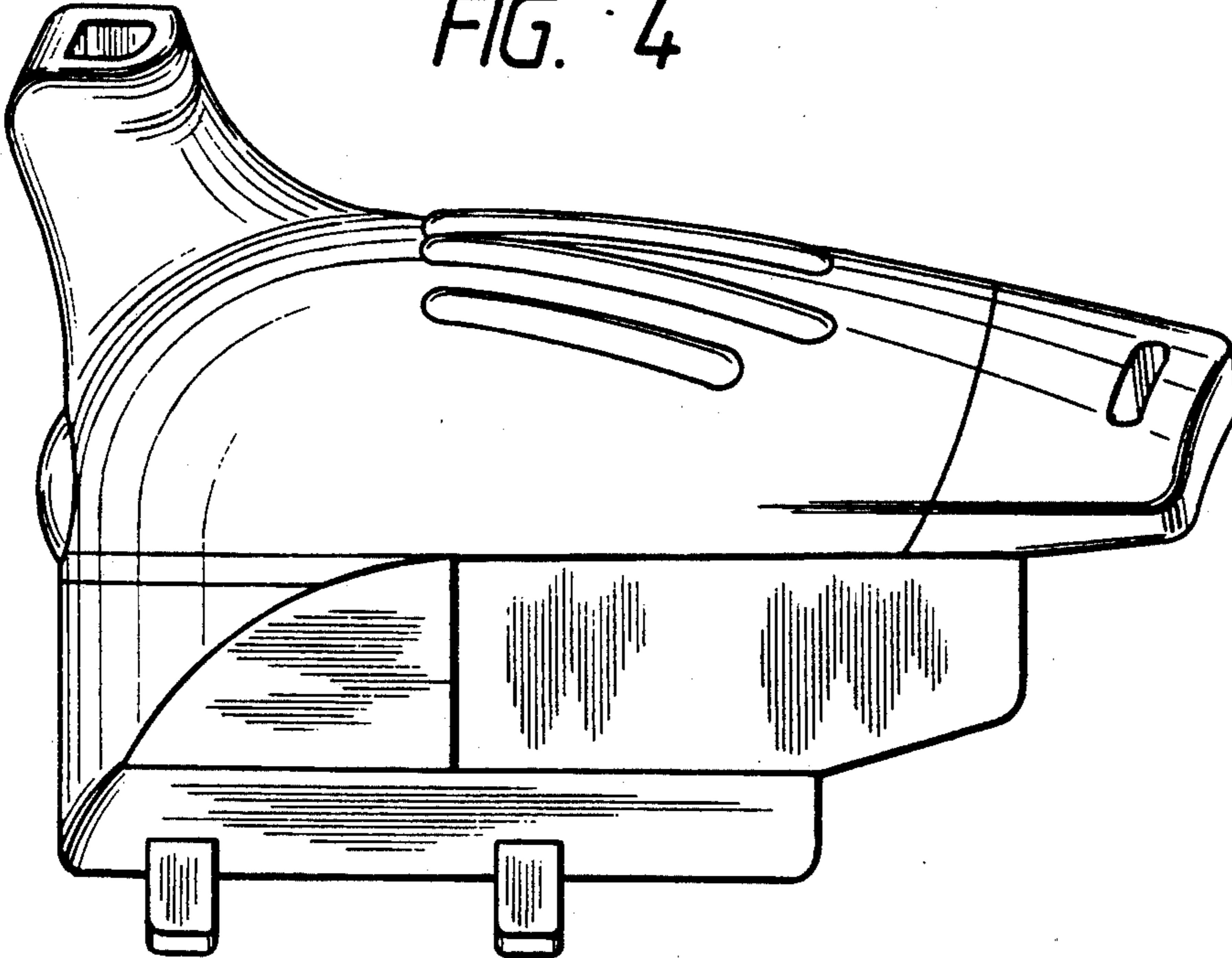


FIG. 5

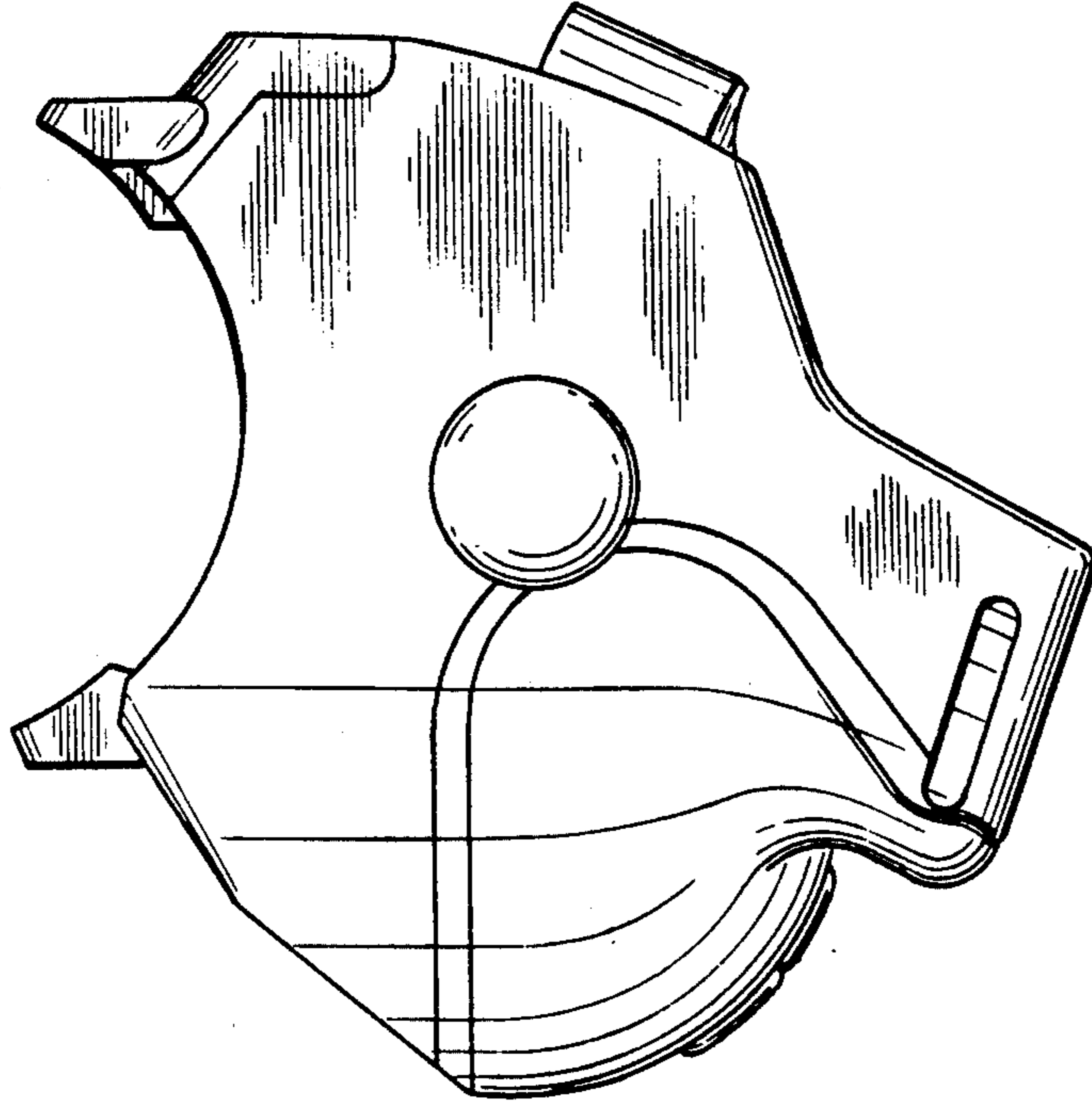


FIG. 6

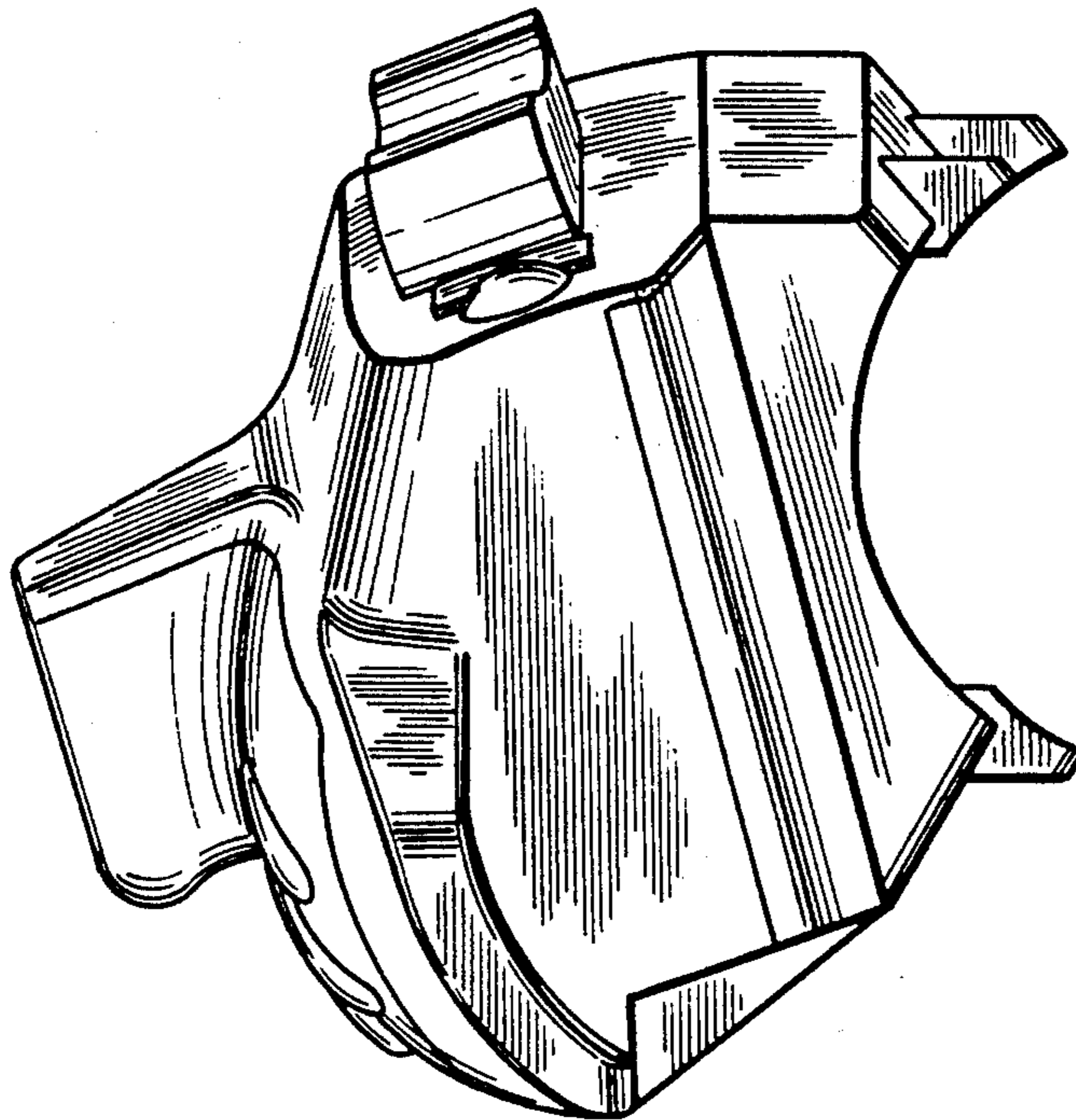


FIG. 7

