



US00D330895S

United States Patent [19]

Isozaki

[11] Patent Number: **Des. 330,895**

[45] Date of Patent: **** Nov. 10, 1992**

[54] CASSETTE FOR VIDEO TAPE

[75] Inventor: **Makoto Isozaki, Tokyo, Japan**

[73] Assignee: **Fuji Photo Film Co., Ltd., Kanagawa, Japan**

[**] Term: **14 Years**

[21] Appl. No.: **586,539**

[22] Filed: **Sep. 21, 1990**

[30] **Foreign Application Priority Data**

Apr. 20, 1990 [JP] Japan 2-13745

[52] U.S. Cl. **D14/121**

[58] Field of Search **D14/115, 120-122; 242/71.8, 197-200; 360/132**

[56] **References Cited**

U.S. PATENT DOCUMENTS

D. 304,580 11/1989 Enomoto D14/121

Primary Examiner—Terry A. Pfeffer
Attorney, Agent, or Firm—Young & Thompson

[57] **CLAIM**

The ornamental design for a cassette for video tape, as shown and described.

DESCRIPTION

FIG. 1 is a perspective view of a cassette for video tape showing my new design;
FIG. 2 is a top plan view thereof;
FIG. 3 is a bottom plan view thereof;
FIG. 4 is a front elevational view thereof;
FIG. 5 is a rear elevational view thereof;
FIG. 6 is a left side elevational view thereof;
FIG. 7 is a right side elevational view thereof; and,
FIG. 8 is a perspective view thereof showing the cassette with its front cover opened.

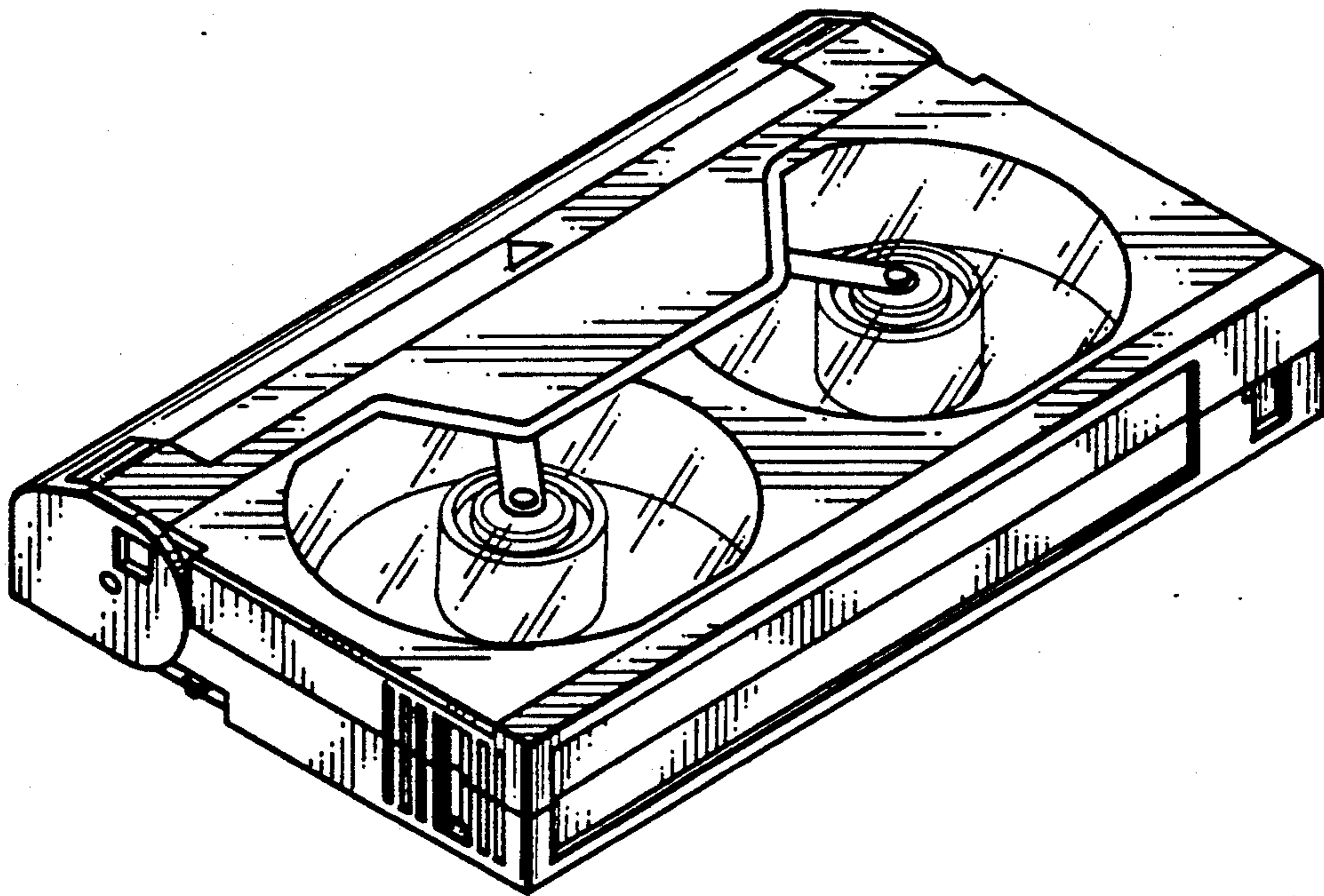


FIG. 1

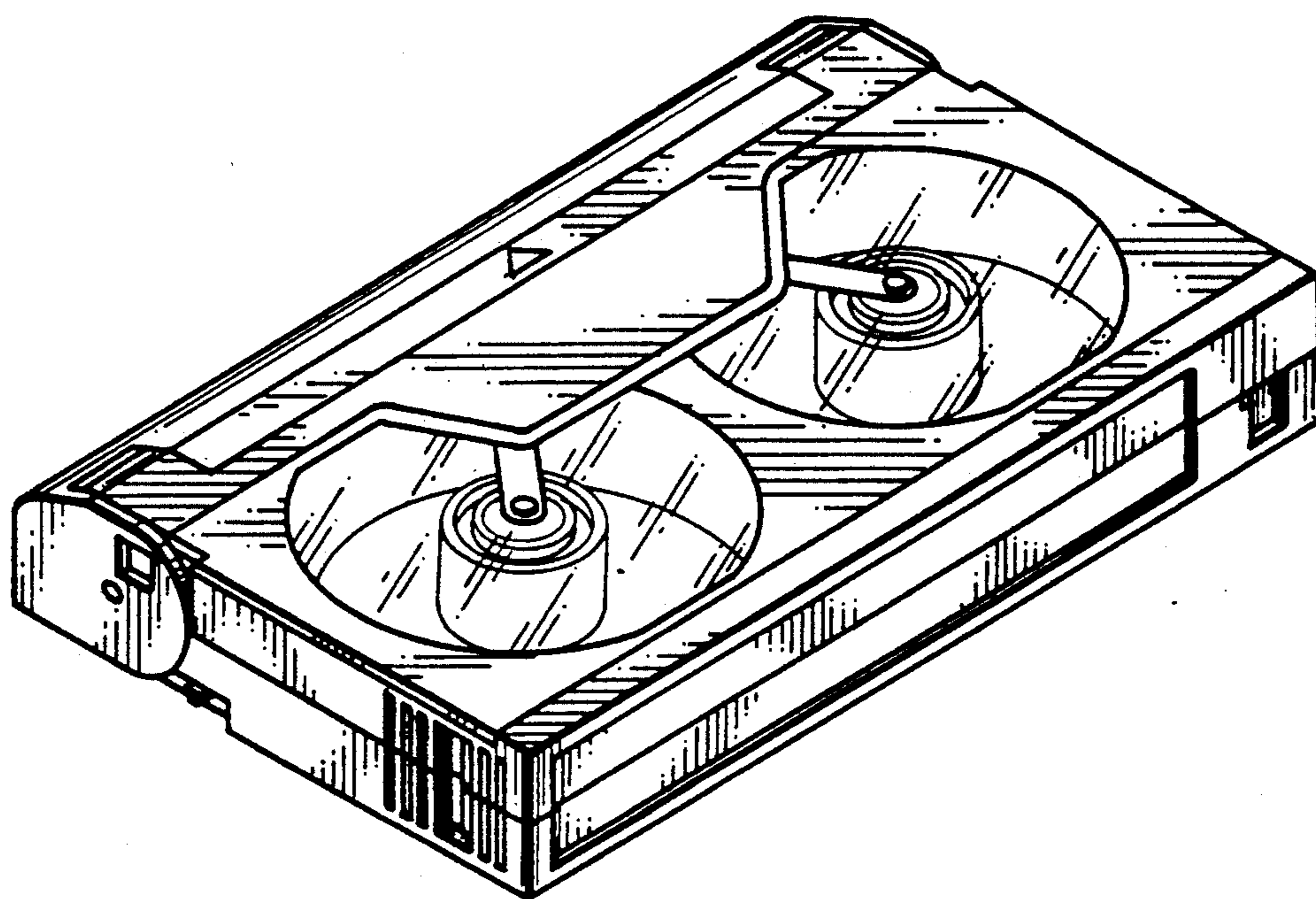


FIG. 2

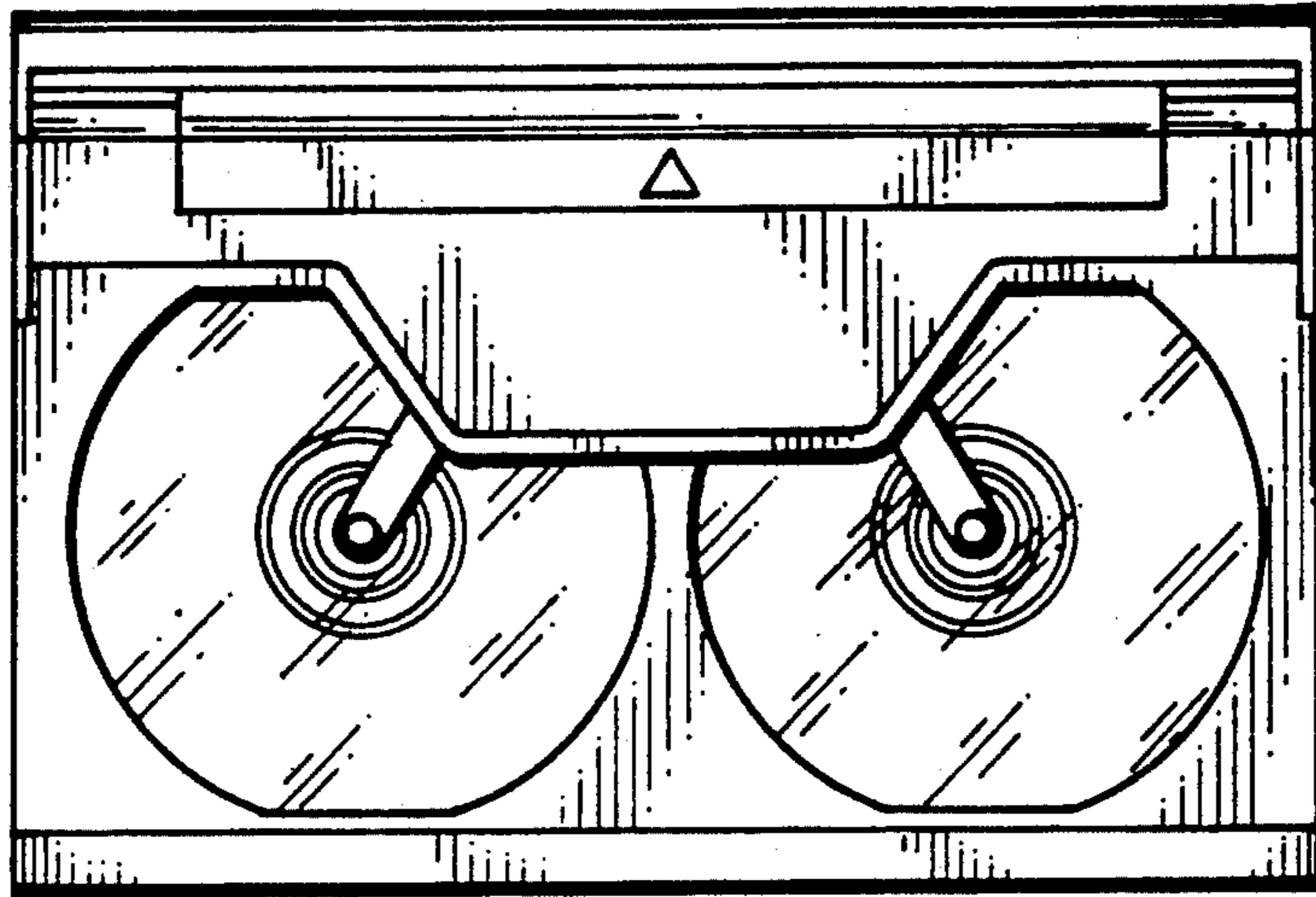


FIG. 3

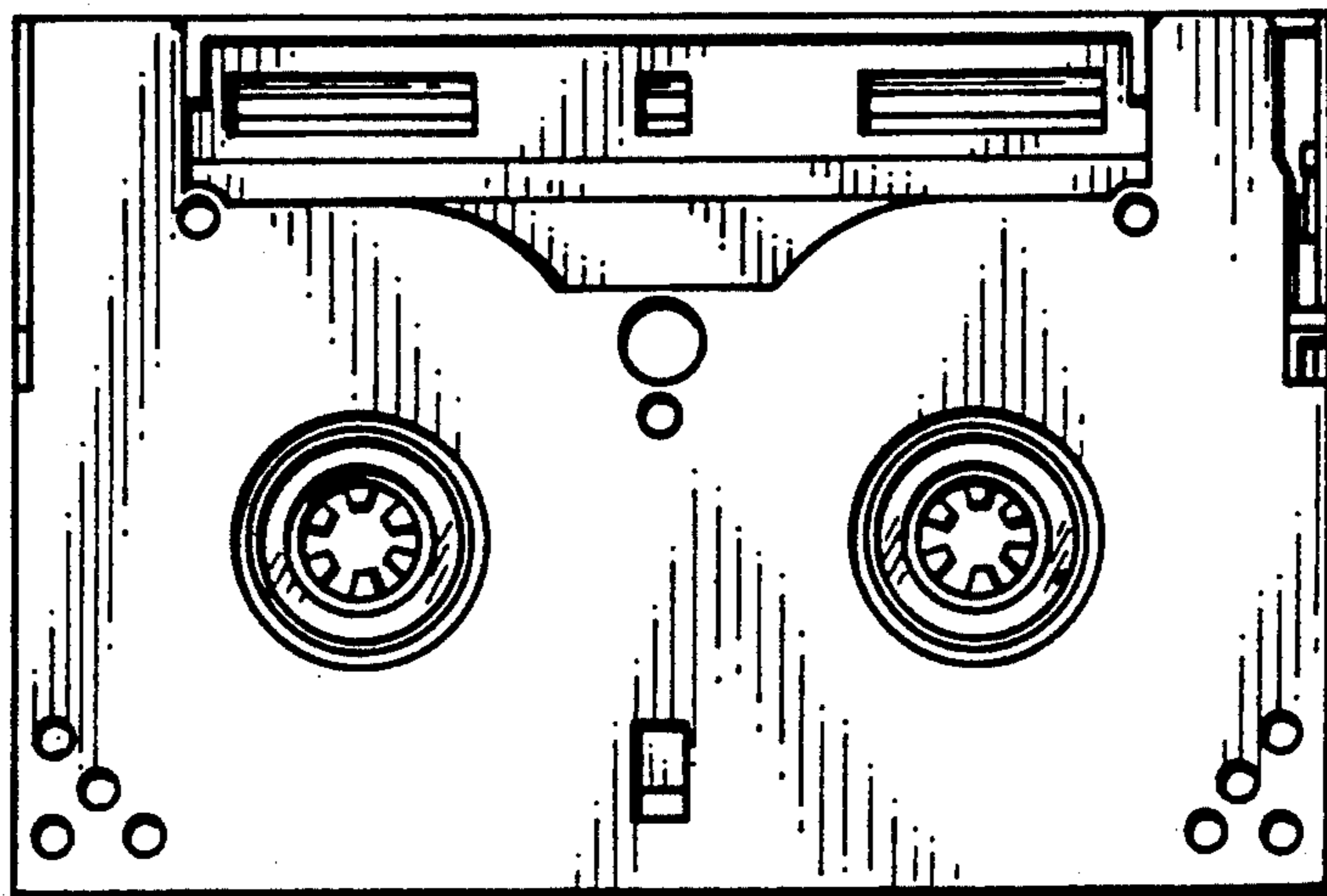


FIG. 4

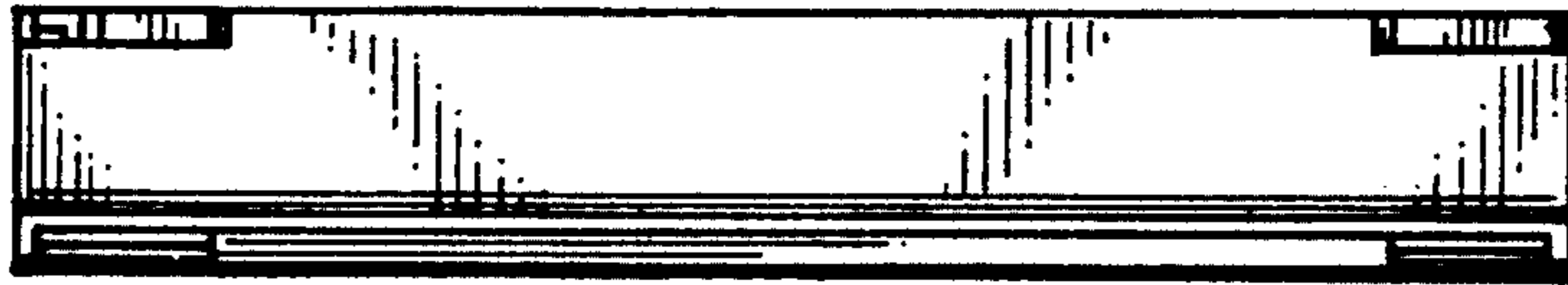


FIG. 5

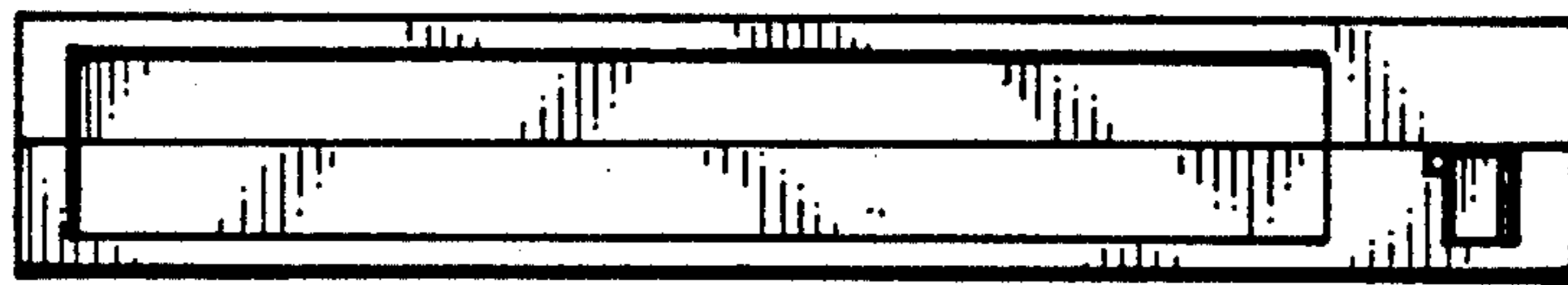


FIG. 6

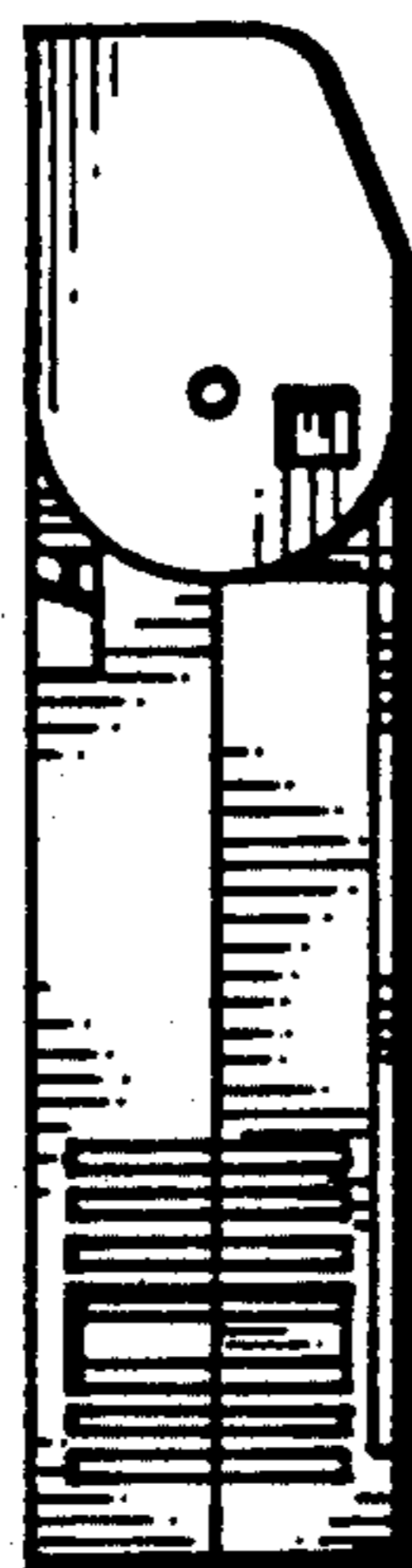


FIG. 7

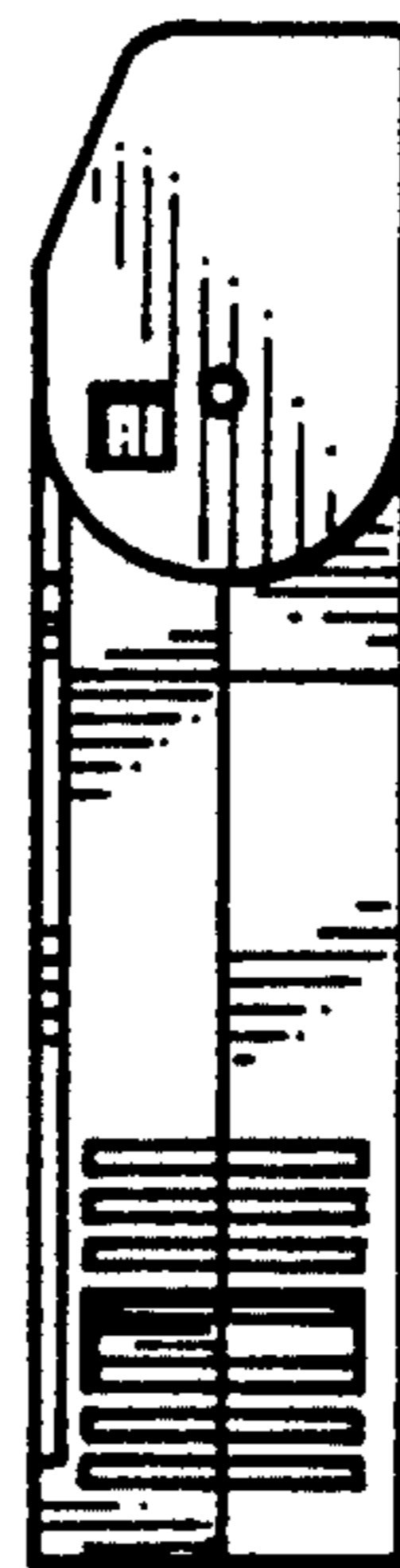


FIG. 8

