



US00D330894S

# United States Patent [19] Horikiri

[11] Patent Number: **Des. 330,894**

[45] Date of Patent: **\*\* Nov. 10, 1992**

[54] CASSETTE FOR AUDIO TAPE

[75] Inventor: **Kazuhisa Horikiri, Kanagawa, Japan**

[73] Assignee: **Fuji Photo Film Co., Ltd., Kanagawa, Japan**

[\*\*] Term: **14 Years**

[21] Appl. No.: **586,538**

[22] Filed: **Sep. 21, 1990**

[30] **Foreign Application Priority Data**

Apr. 9, 1990 [JP] Japan ..... 2-12078

[52] U.S. Cl. .... **D14/121**

[58] Field of Search ..... **D14/115, 120-122;  
242/71, 8, 197-200; 360/132**

[56] **References Cited**

**U.S. PATENT DOCUMENTS**

D. 304,031 10/1989 Nishiyama et al. .... D14/121  
4,566,653 1/1986 Bettinger et al. .... D14/121 X

*Primary Examiner*—Terry A. Pfeffer  
*Attorney, Agent, or Firm*—Young & Thompson

[57] **CLAIM**

The ornamental design for a cassette for audio tape, as shown.

**DESCRIPTION**

FIG. 1 is a perspective view of a cassette for audio tape showing my new design;

FIG. 2 is a top plan view thereof;

FIG. 3 is a bottom plan view thereof;

FIG. 4 is a front elevational view thereof;

FIG. 5 is a rear elevational view thereof;

FIG. 6 is a left side elevational view thereof; and,

FIG. 7 is a right side elevational view thereof.

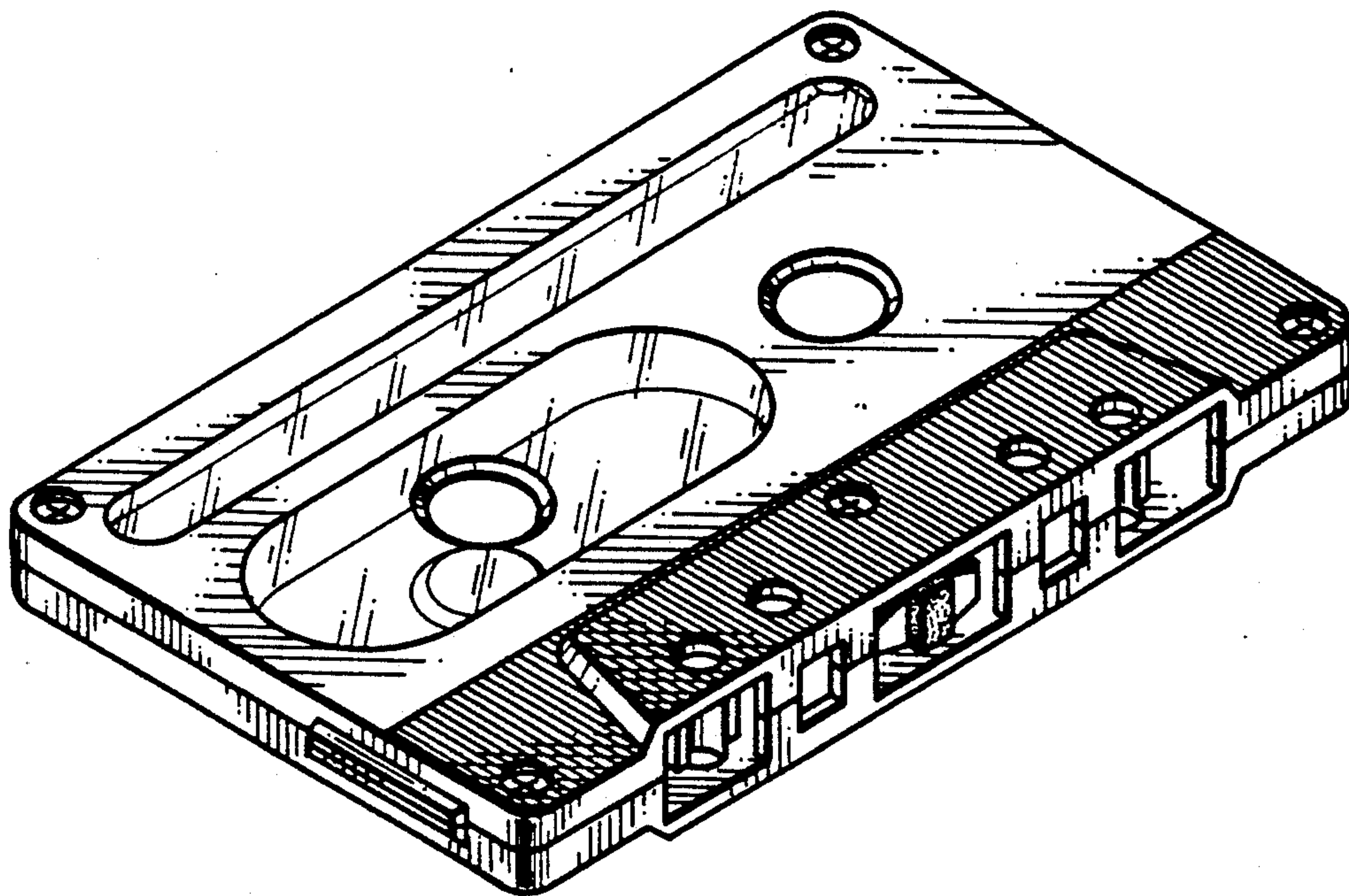


FIG. 1

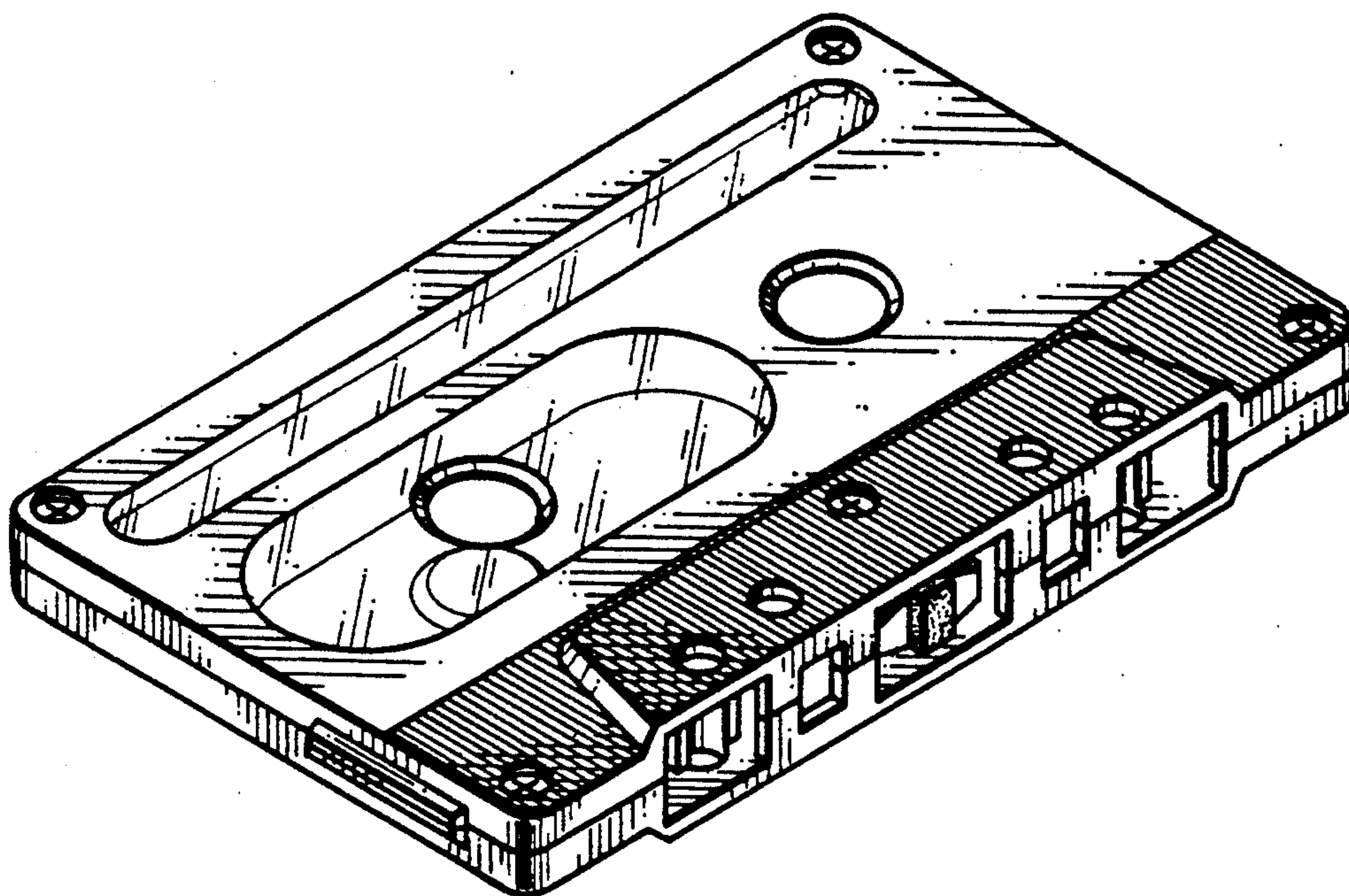


FIG. 2

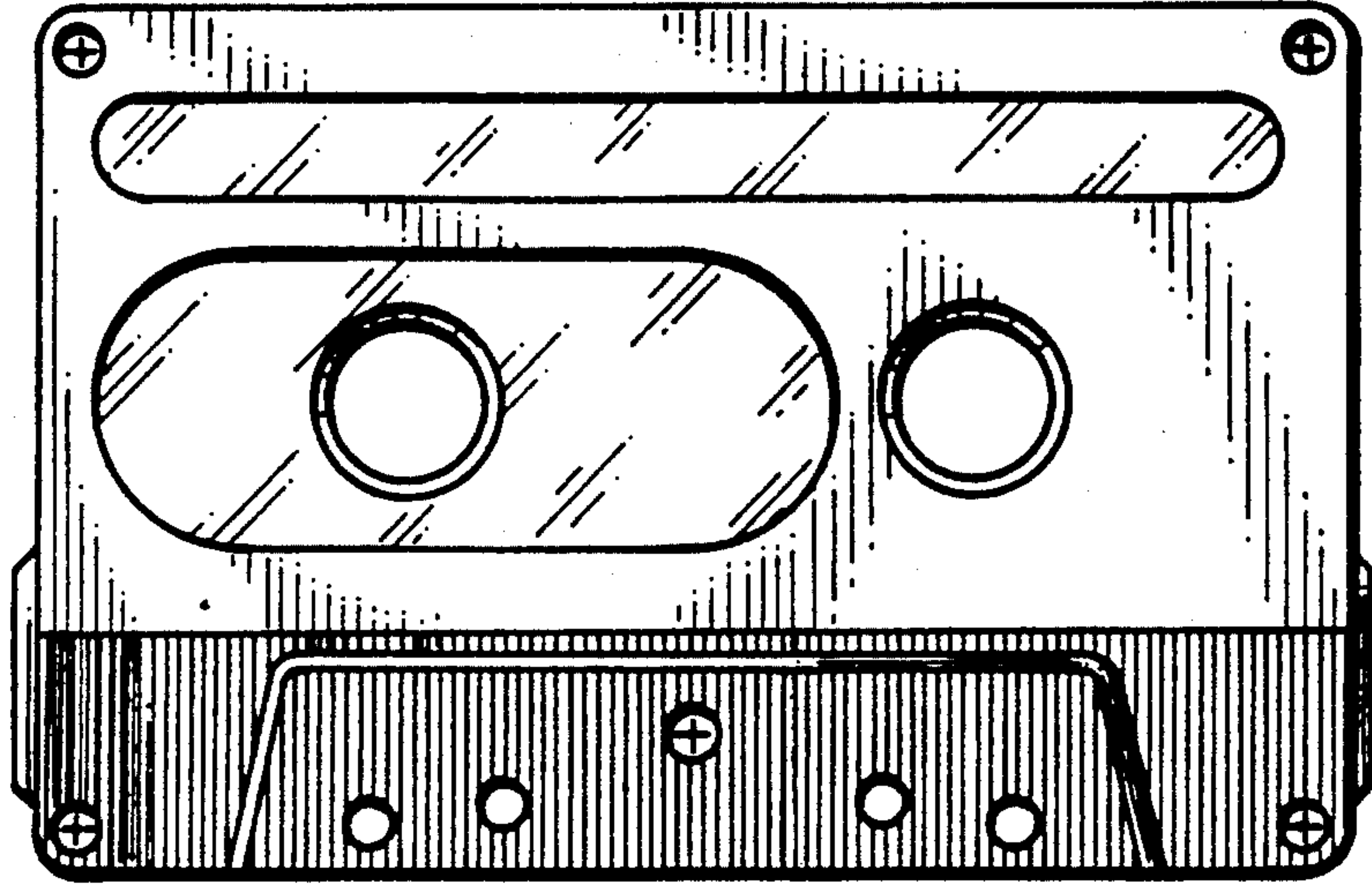


FIG. 3

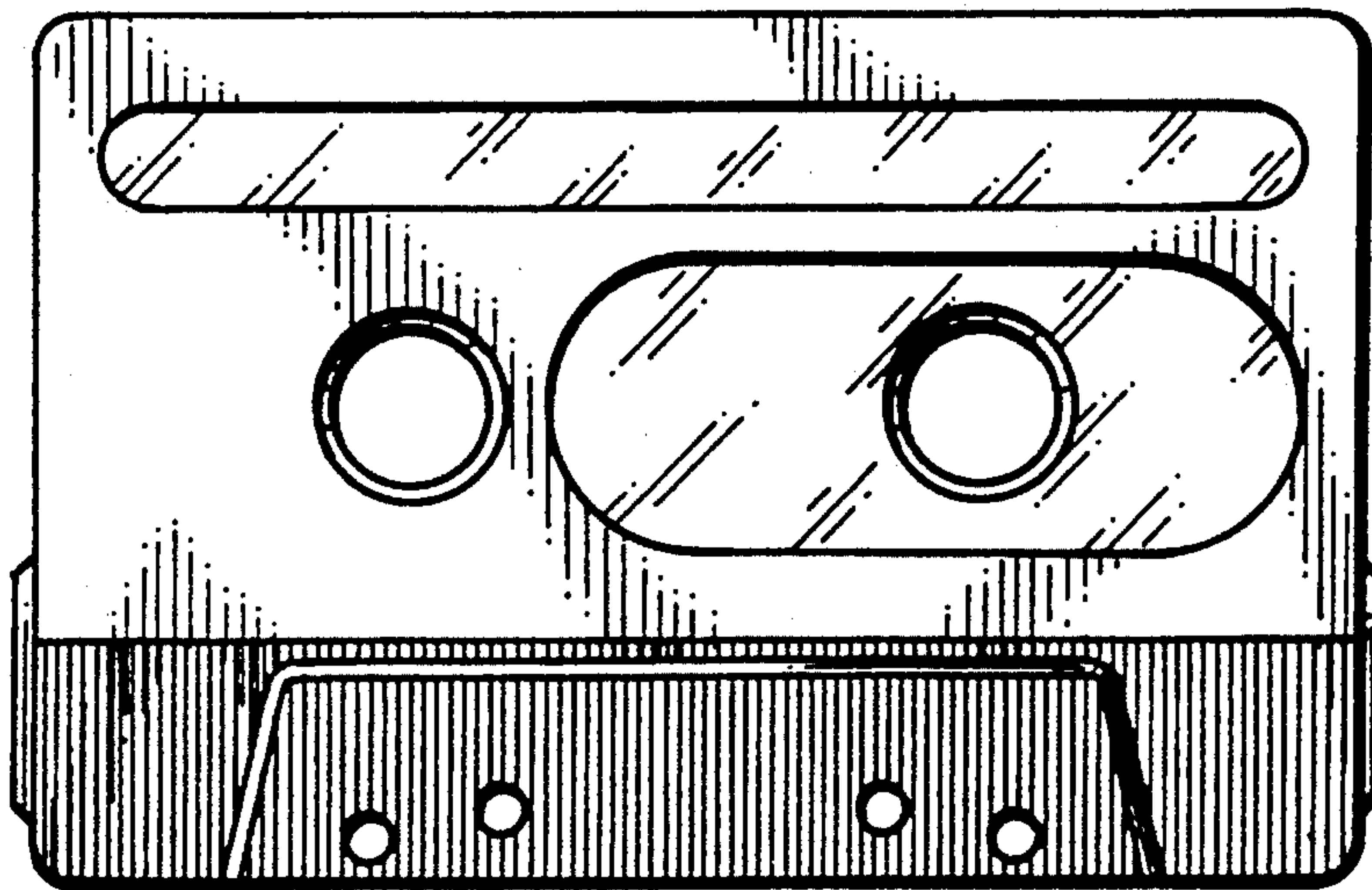


FIG. 4

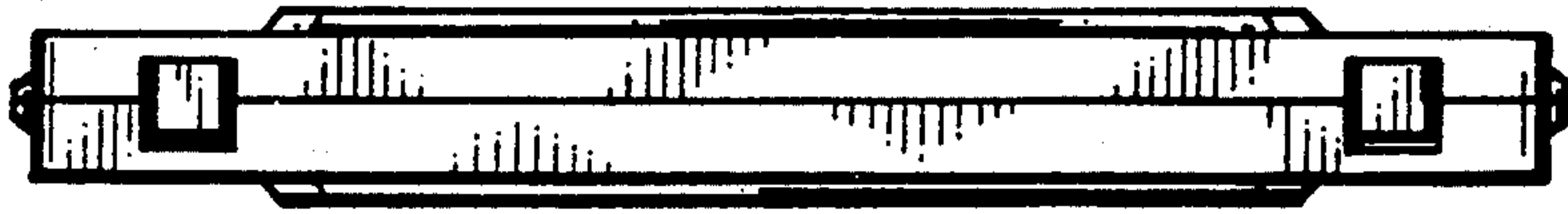


FIG. 5



FIG. 6

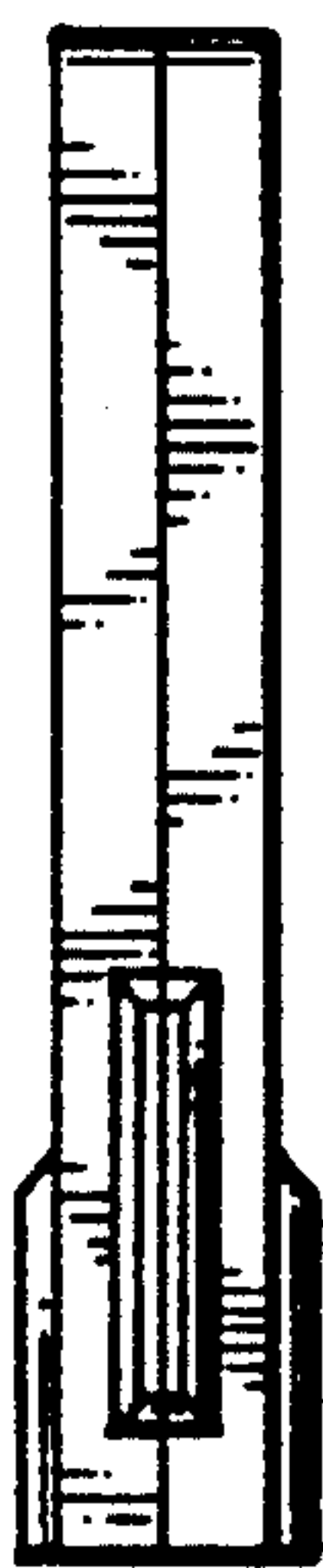


FIG. 7

