



US00D330893S

# United States Patent [19]

[11] Patent Number: **Des. 330,893**

Hiroki et al.

[45] Date of Patent: **\*\* Nov. 10, 1992**

## [54] FACSIMILE TRANSCEIVER

[75] Inventors: **Shinichi Hiroki**, Tokyo; **Masahiko Kashiwabara**, Yokohama, both of Japan

[73] Assignee: **Kabushiki Kaisha Toshiba**, Kawasaki, Japan

[\*\*] Term: **14 Years**

[21] Appl. No.: **584,849**

[22] Filed: **Sep. 19, 1990**

### [30] Foreign Application Priority Data

May 17, 1990 [JP] Japan ..... 2-16354

[52] U.S. Cl. .... **D14/118**

[58] Field of Search ..... D14/118, 299; D18/36, D18/37; 358/400, 401

### [56] References Cited

#### U.S. PATENT DOCUMENTS

- D. 304,874 11/1989 Saegusa et al. .... D14/118
- D. 311,929 11/1990 Saegusa et al. .... D14/118
- D. 313,591 1/1991 Oie ..... D14/118
- D. 314,955 2/1991 Watanabe ..... D14/118

#### FOREIGN PATENT DOCUMENTS

69162 7/1986 Japan .

## OTHER PUBLICATIONS

Modern Office Technology; June 1987; p. 106; Canon model FAX-620.

*Primary Examiner*—Theodore M. Shooman  
*Attorney, Agent, or Firm*—Oblon, Spivak, McClelland, Maier & Neustadt

## [57] CLAIM

The ornamental design for a facsimile transceiver, as shown and described.

## DESCRIPTION

FIG. 1 is a front elevational view of a facsimile transceiver, showing our new design;  
 FIG. 2 is a top plan view thereof;  
 FIG. 3 is a left side elevational view thereof;  
 FIG. 4 is a right side elevational view thereof;  
 FIG. 5 is a sectional view taken along line V—V of FIG. 1;  
 FIG. 6 is a sectional view taken along line VI—VI of FIG. 2;  
 FIG. 7 is a sectional view taken along line VII—VII of FIG. 2;  
 FIG. 8 is a rear elevational view thereof;  
 FIG. 9 is a bottom plan view thereof; and,  
 FIG. 10 is a top, front, right side perspective view thereof with the handset dismounted.

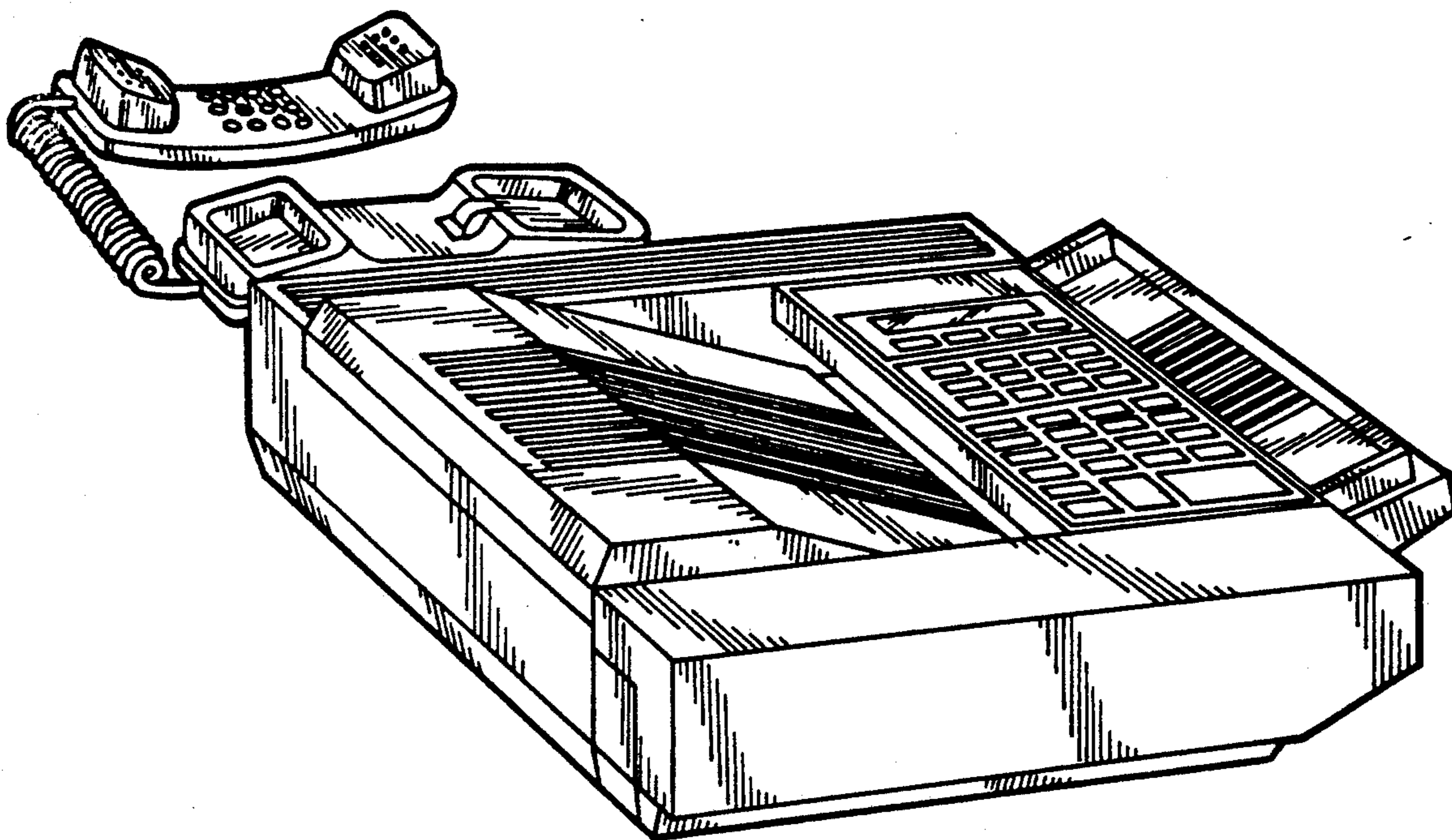


FIG.1

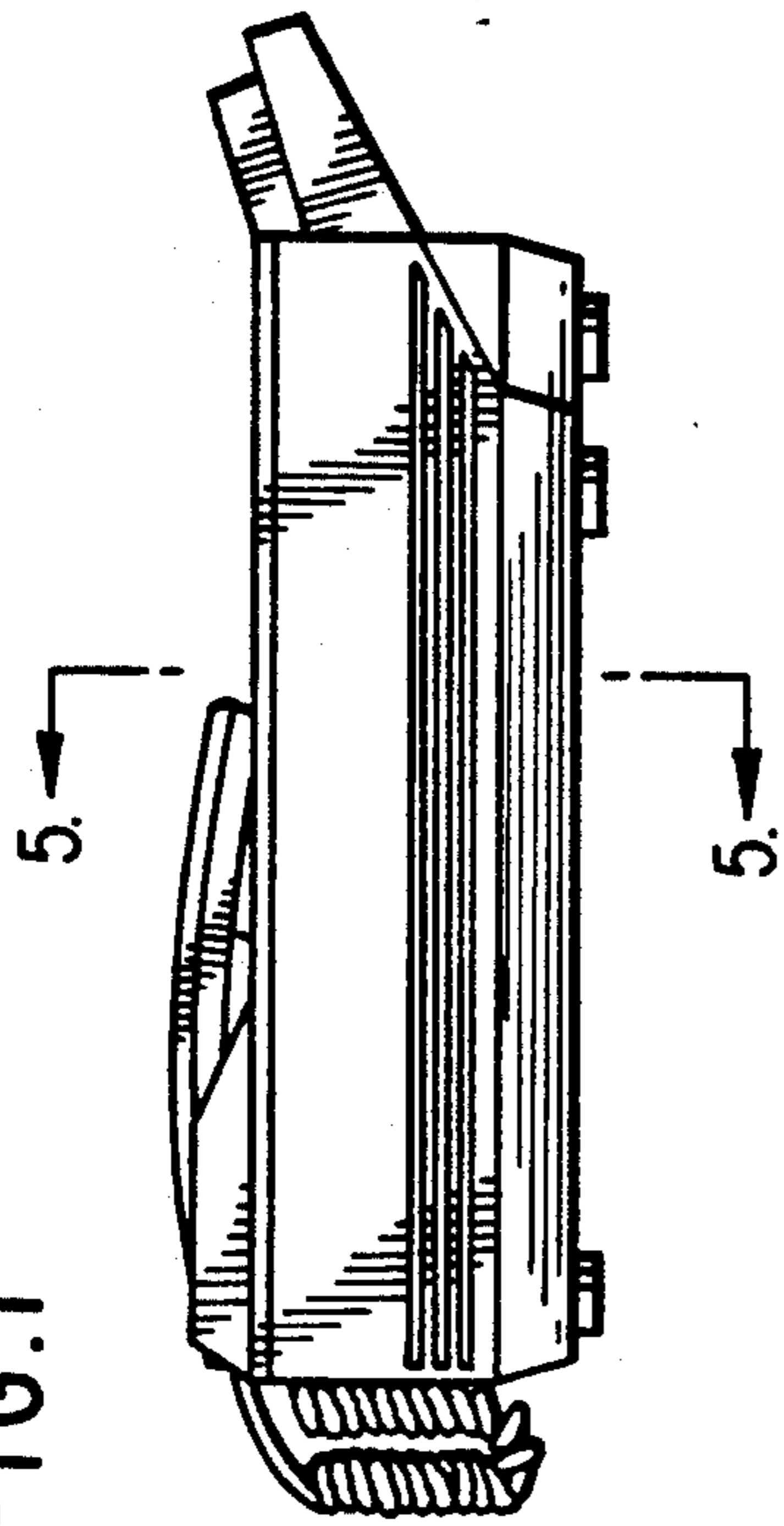


FIG.3

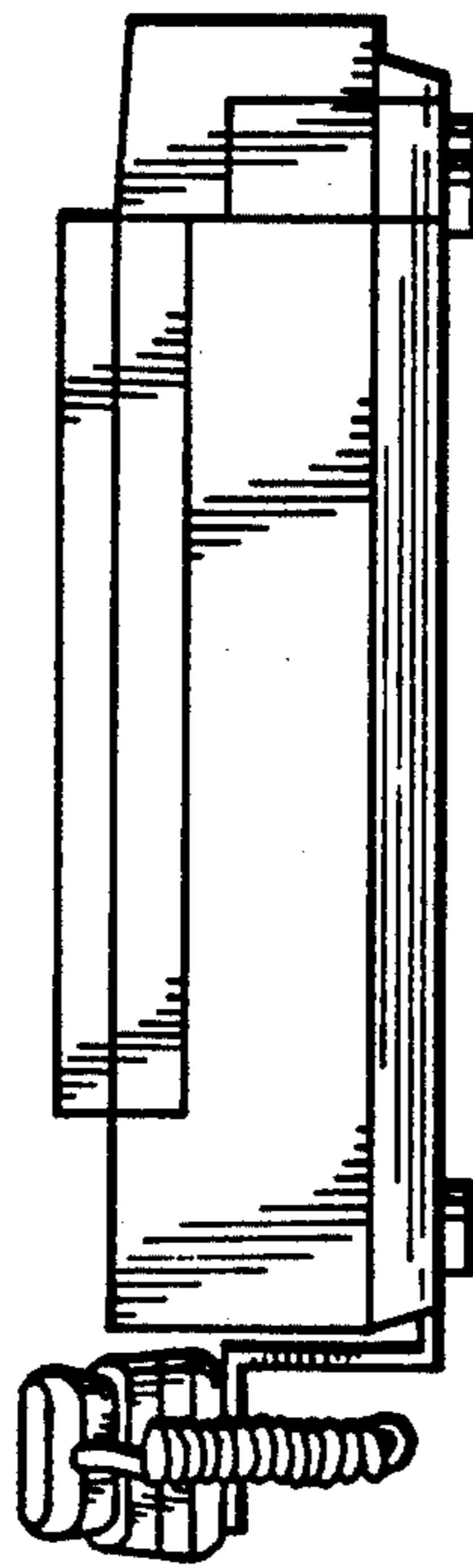


FIG.4

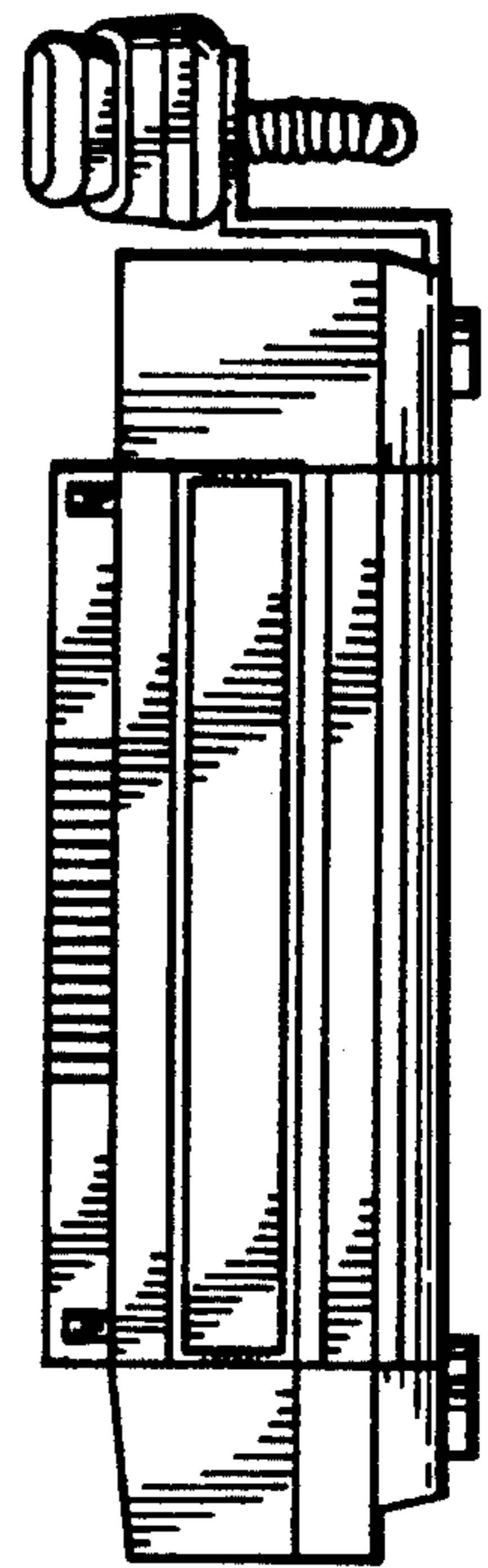


FIG.2

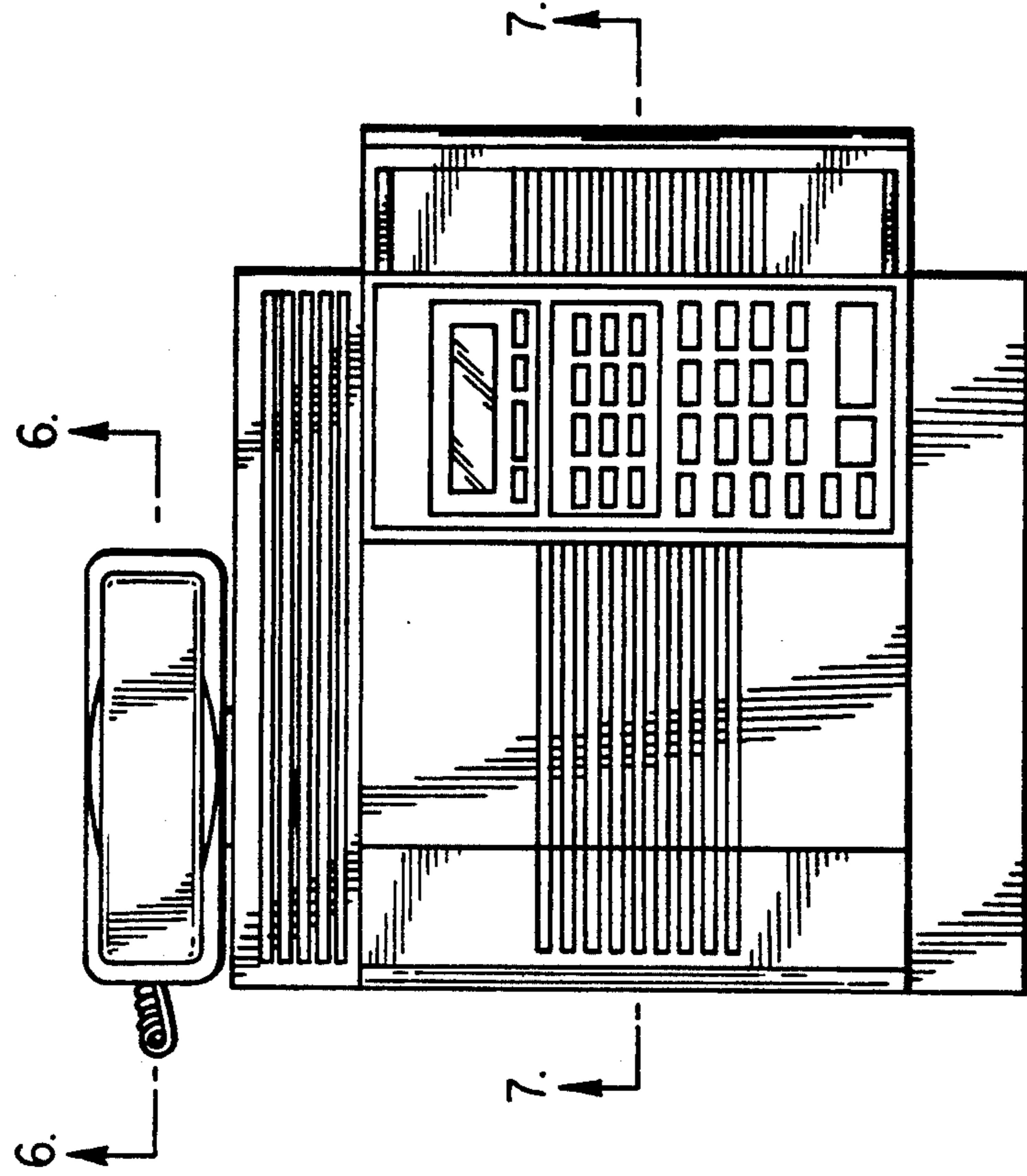


FIG. 5

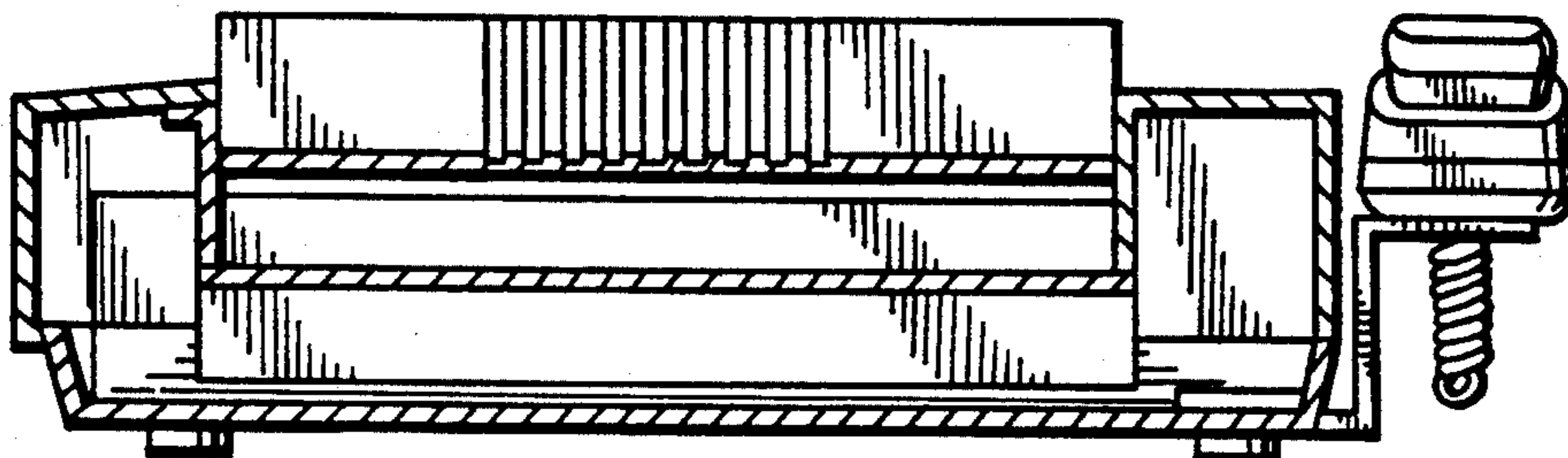


FIG. 6

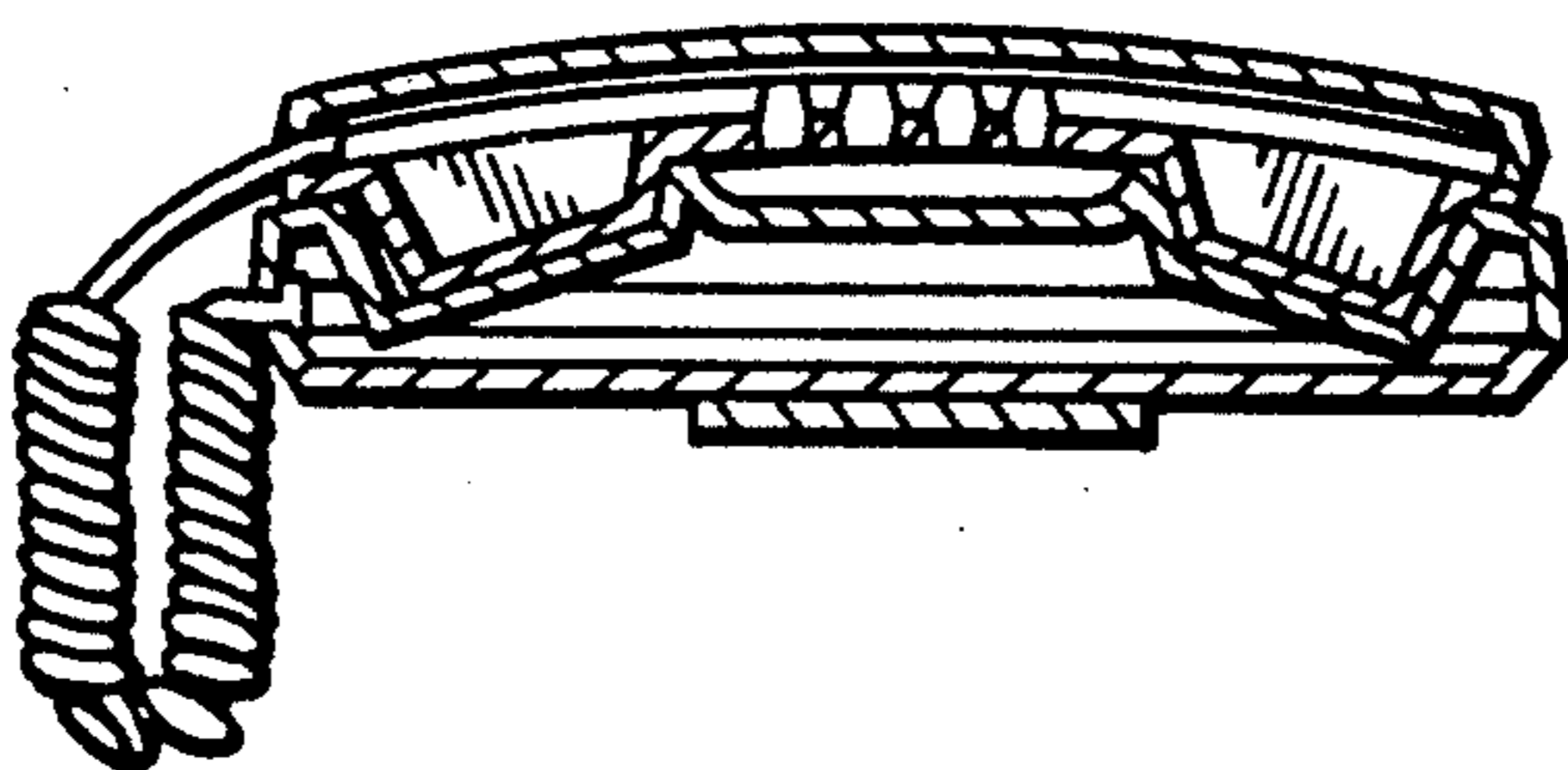


FIG. 7

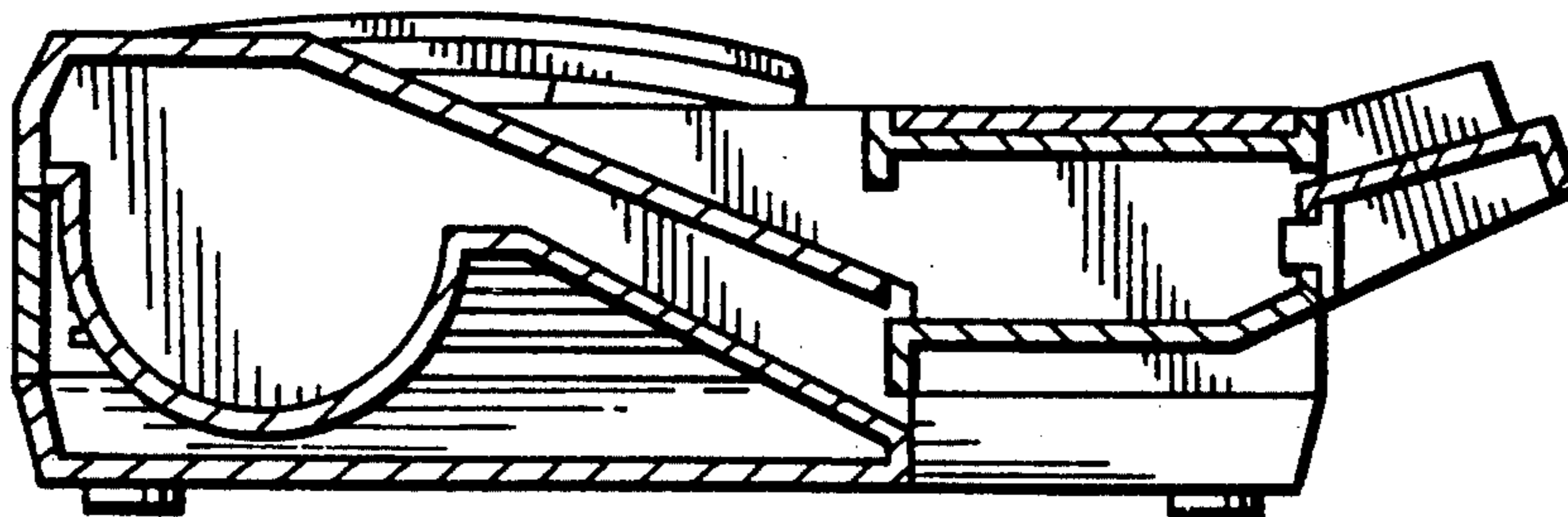




FIG. 8

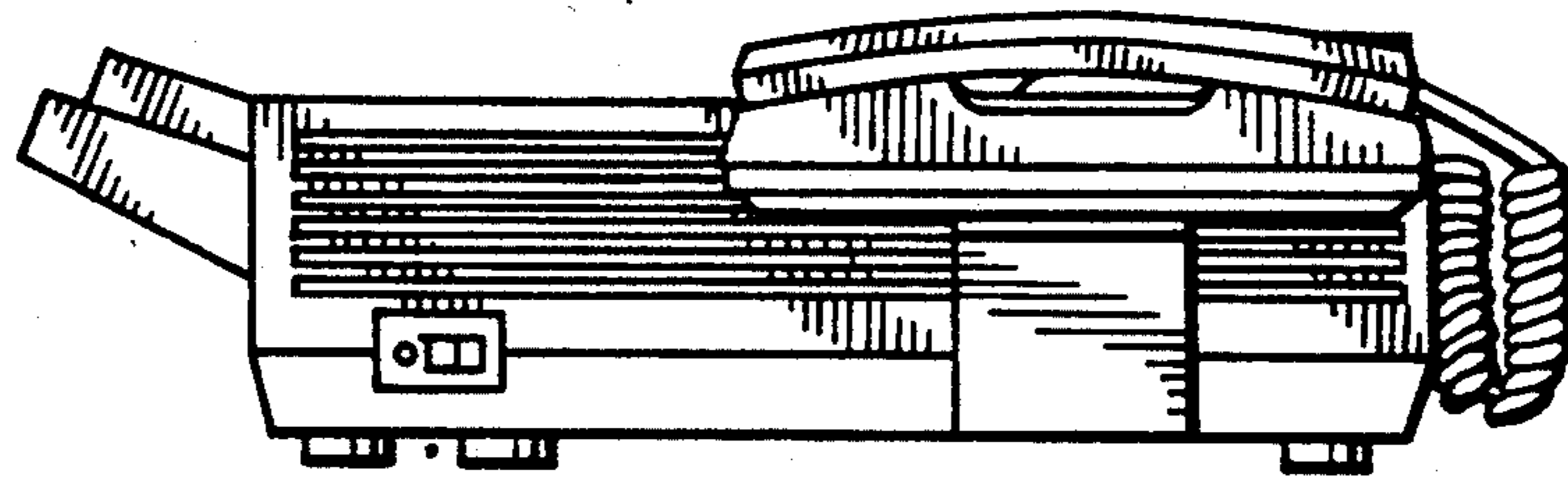


FIG. 9

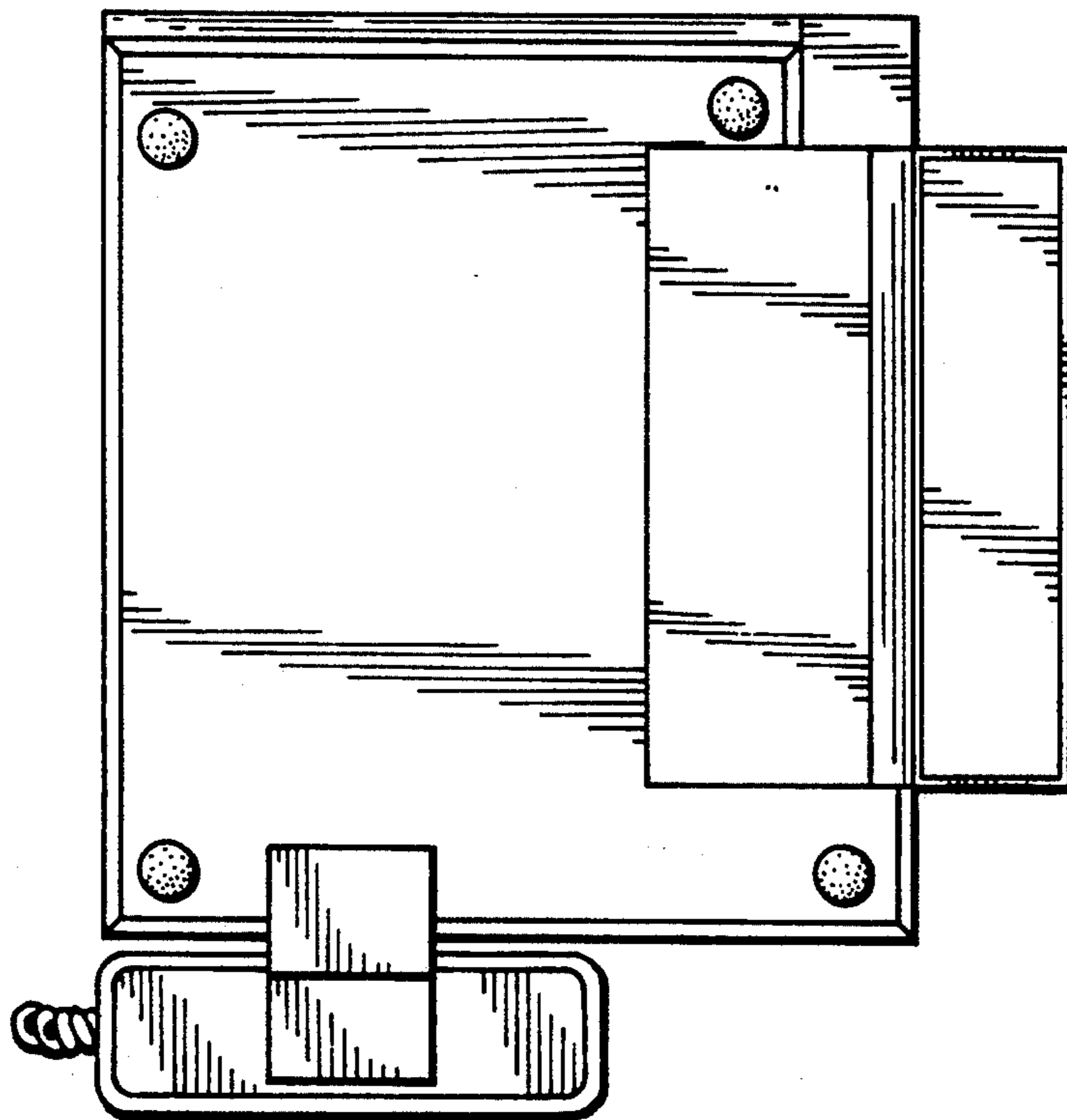


FIG. 10

