



US00D330886S

United States Patent [19]

[11] Patent Number: **Des. 330,886**

Takenouchi et al.

[45] Date of Patent: **** Nov. 10, 1992**

[54] **ELECTRICAL CONNECTOR HOUSING**

[75] Inventors: **Kenji Takenouchi; Makoto Yamanashi**, both of Shizuoka, Japan

[73] Assignee: **Yazaki Corporation**, Tokyo, Japan

[**] Term: **14 Years**

[21] Appl. No.: **541,241**

[22] Filed: **Jun. 20, 1990**

[30] **Foreign Application Priority Data**

Dec. 27, 1989 [JP] Japan 1-47402

[52] U.S. Cl. **D13/146**

[58] Field of Search **D13/133, 146, 147; 439/282, 345, 350, 353, 354, 355, 357, 586, 587, 595, 596, 597, 598, 600, 680, 682, 752**

[56] **References Cited**

U.S. PATENT DOCUMENTS

D. 315,717	3/1991	Takenouchi et al.	D13/146
D. 316,077	4/1991	Takenouchi et al.	D13/133
D. 317,899	7/1991	Takenouchi et al.	D13/133
D. 323,140	1/1992	Takenouchi et al.	D13/133
D. 323,149	1/1992	Takenouchi et al.	D13/146
D. 323,150	1/1992	Takenouchi et al.	D13/146

Primary Examiner—Wallace R. Burke

Assistant Examiner—Joel Sincavage
Attorney, Agent, or Firm—Nikaido, Marmelstein, Murray & Oram

[57] **CLAIM**

The ornamental design for an electrical connector housing, as shown and described.

DESCRIPTION

FIG. 1 is a top plan view of an electrical connector housing showing my new design;
 FIG. 2 is a front elevational view thereof;
 FIG. 3 is a bottom plan view thereof;
 FIG. 4 is a left side elevational view thereof, the right side elevational view thereof being a mirror image;
 FIG. 5 is a rear elevational view thereof;
 FIG. 6 is a cross-sectional view thereof taken along line 6—6 of FIG. 2;
 FIG. 7 is a cross-sectional view thereof taken along line 7—7 of FIG. 2;
 FIG. 8 is a cross-sectional view thereof taken along line 8—8 of FIG. 2; and,
 FIG. 9 is a front and upper right perspective view thereof shown in a manner of use and on a reduced scale.

The broken line showing is included for the purpose of illustrating environmental elements only and forms no part of the claimed design.

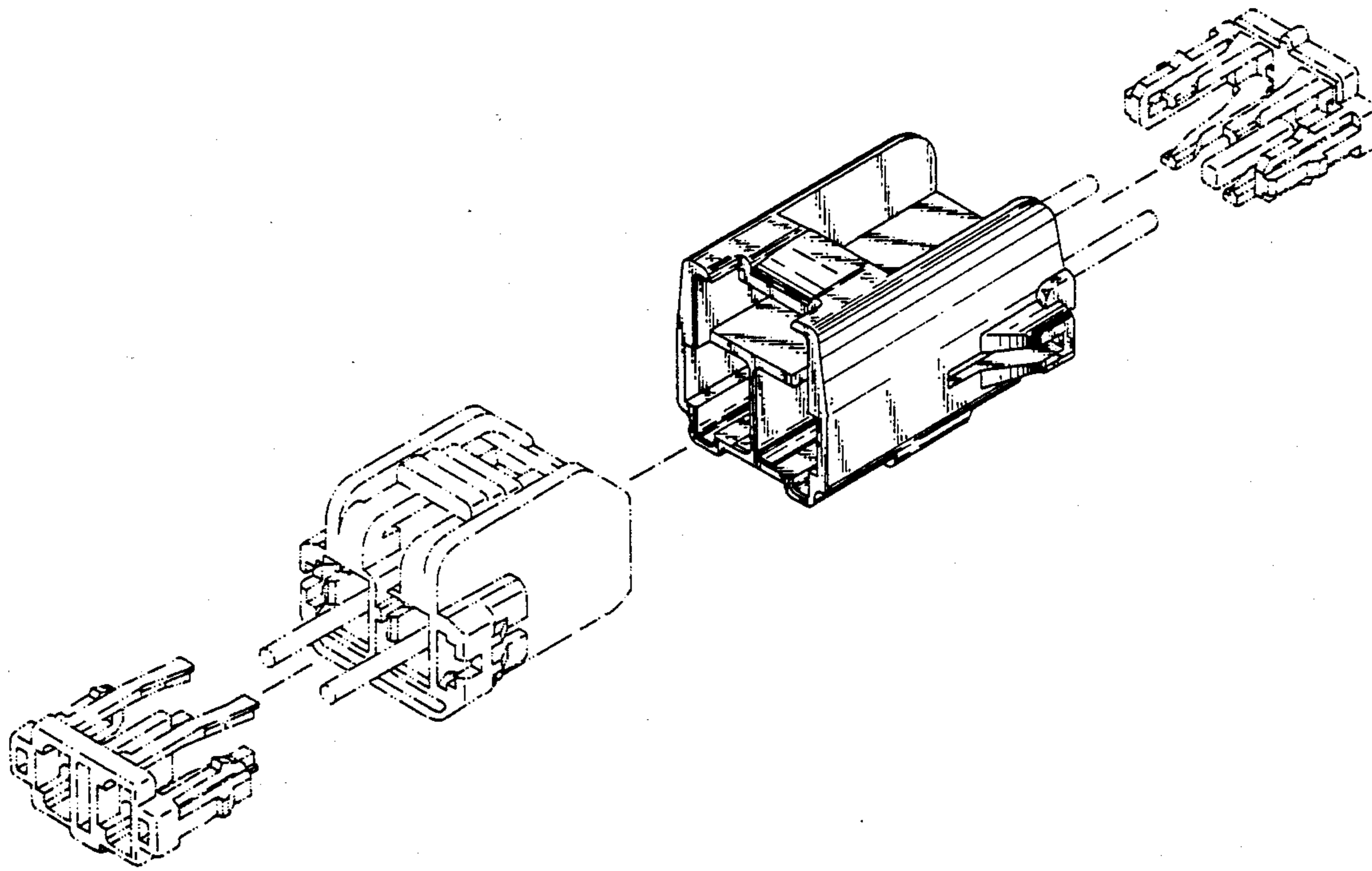


FIG. 1

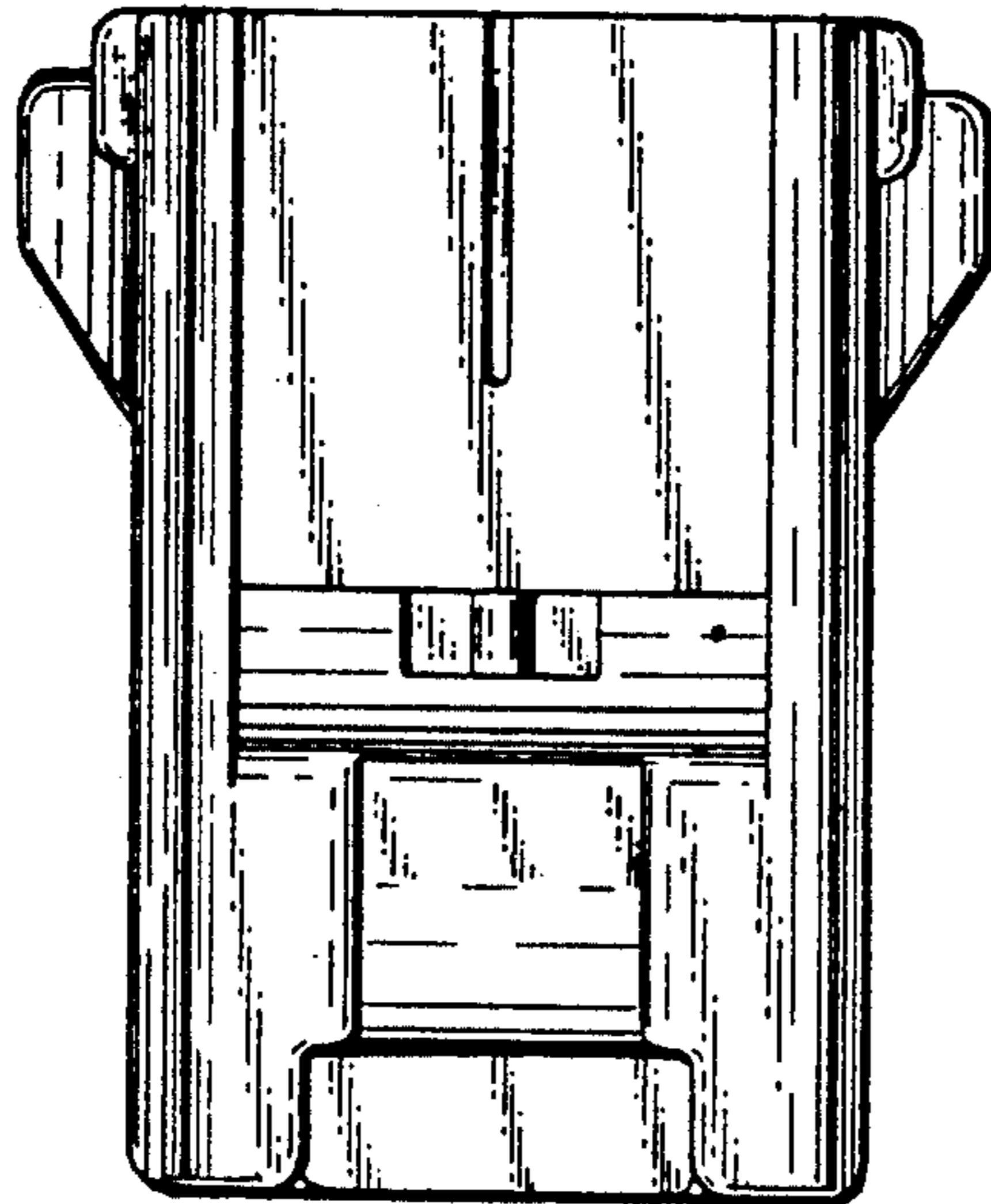


FIG. 3

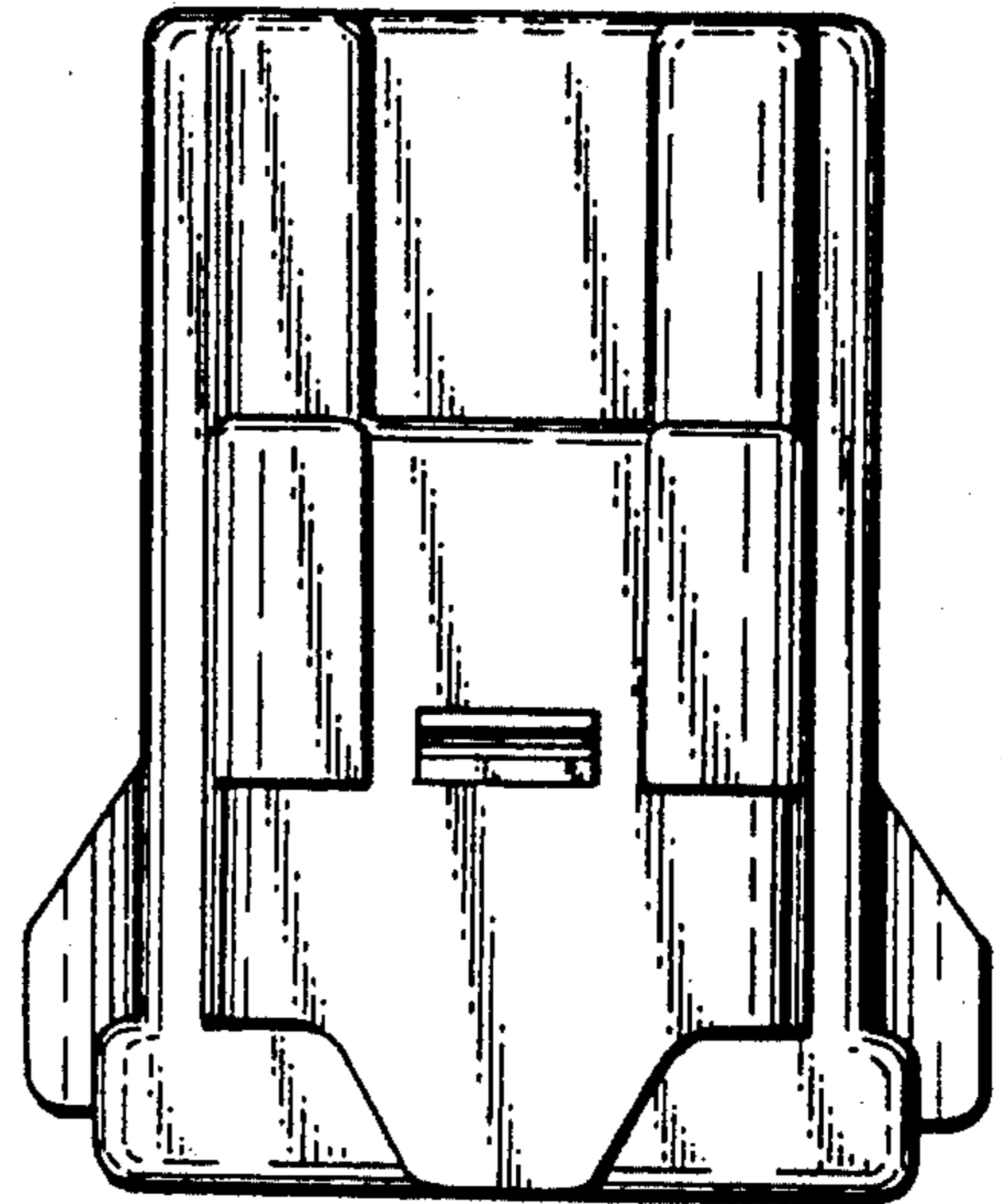


FIG. 2

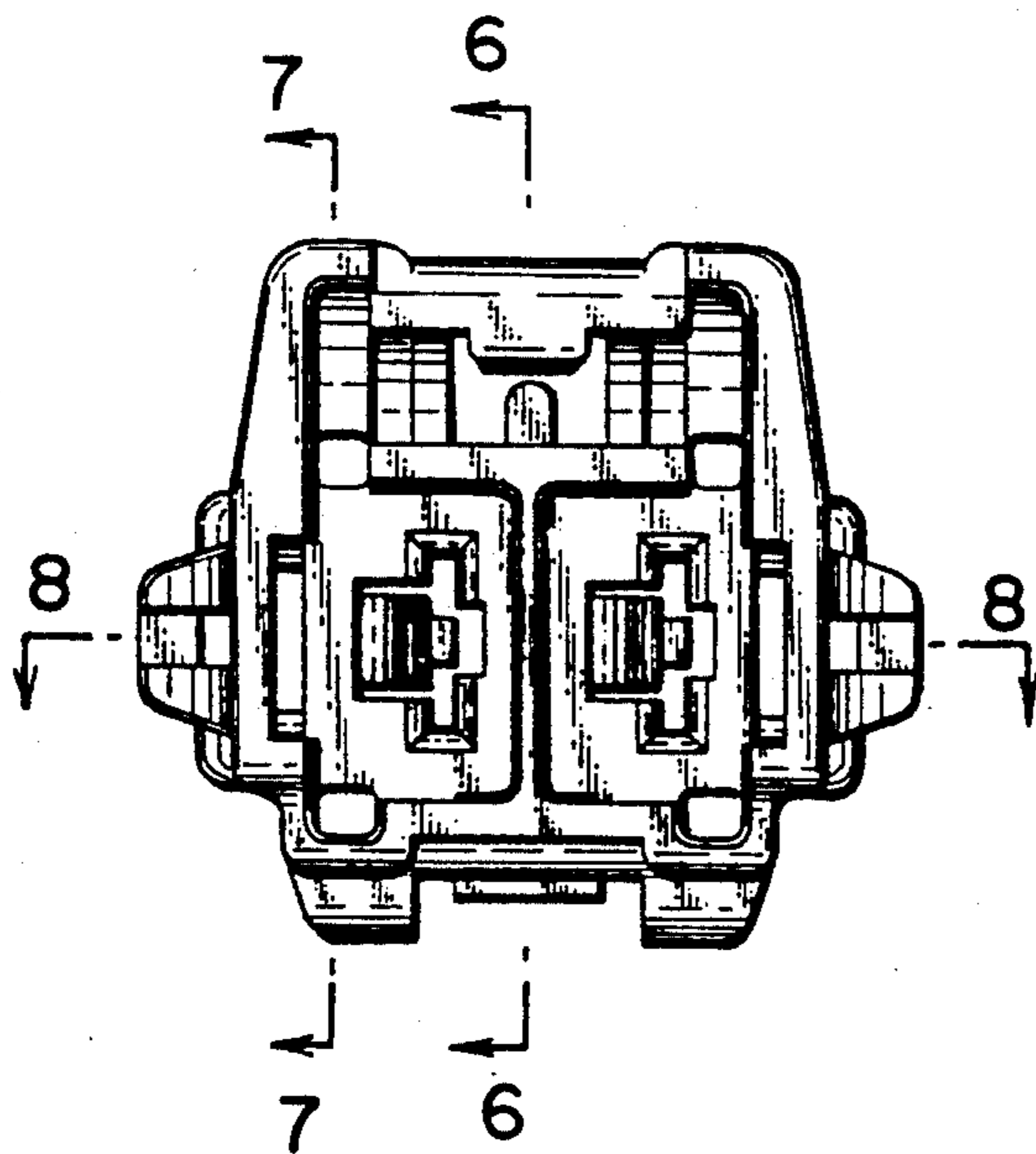


FIG. 4

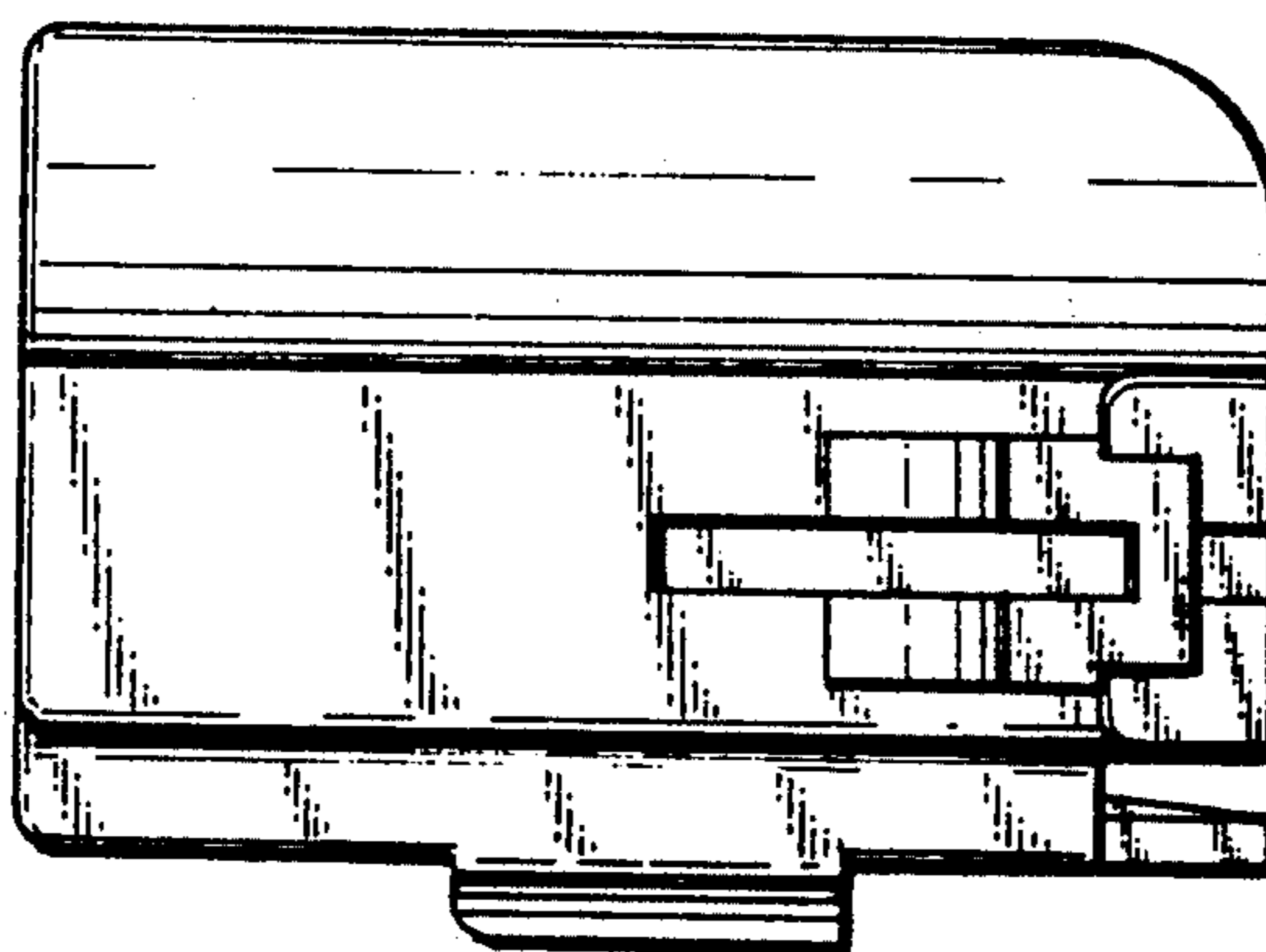


FIG. 5

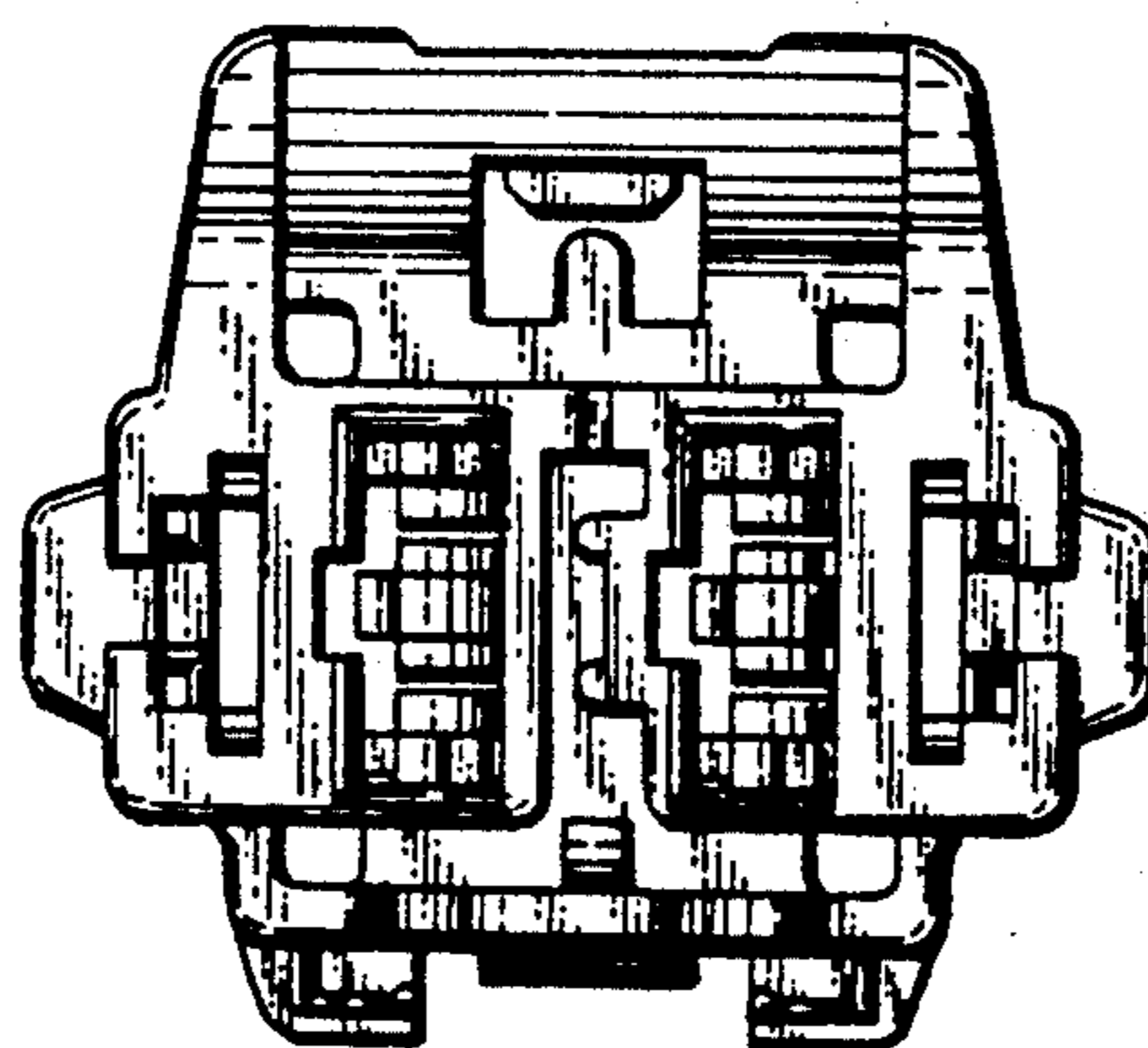


FIG. 6

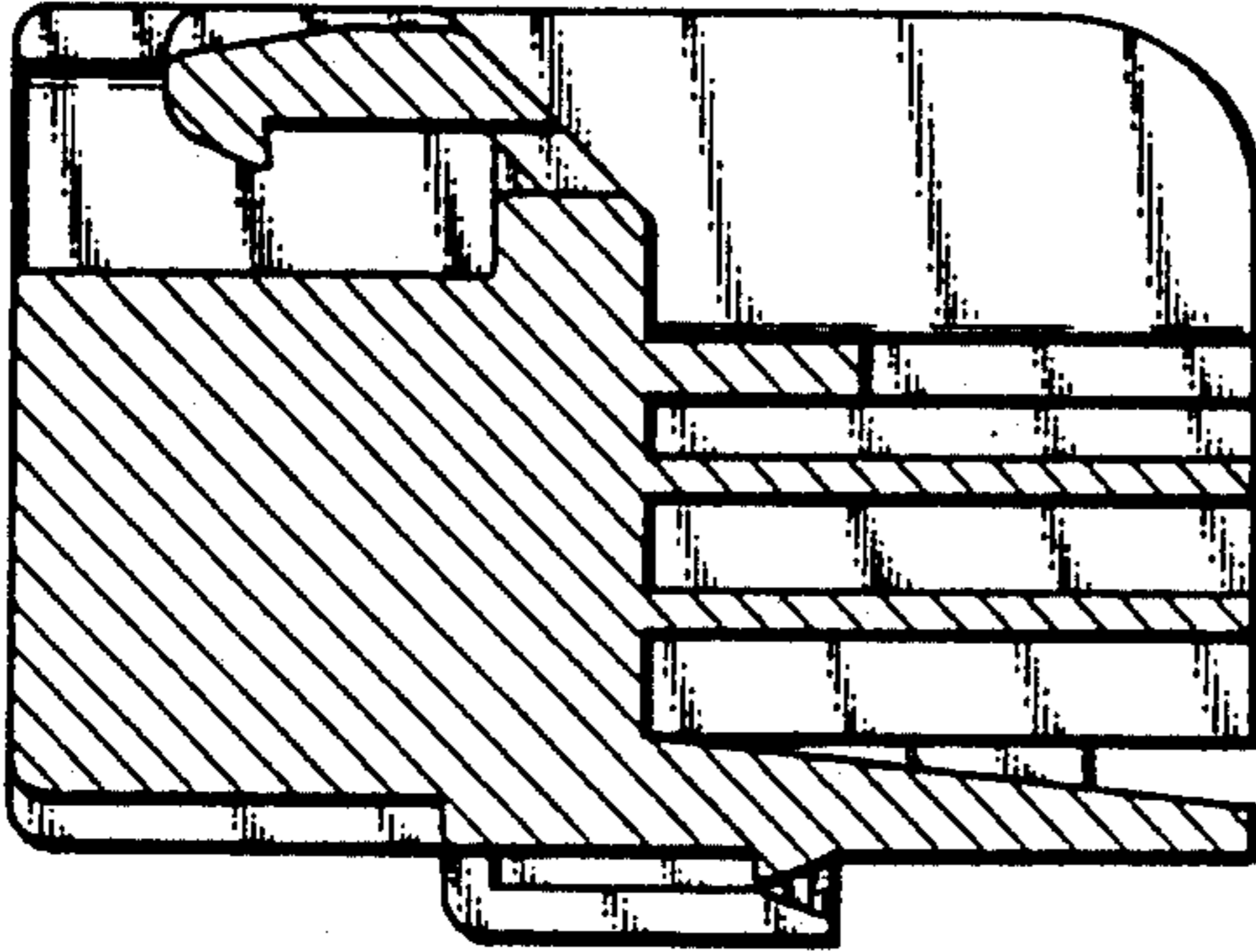


FIG. 8

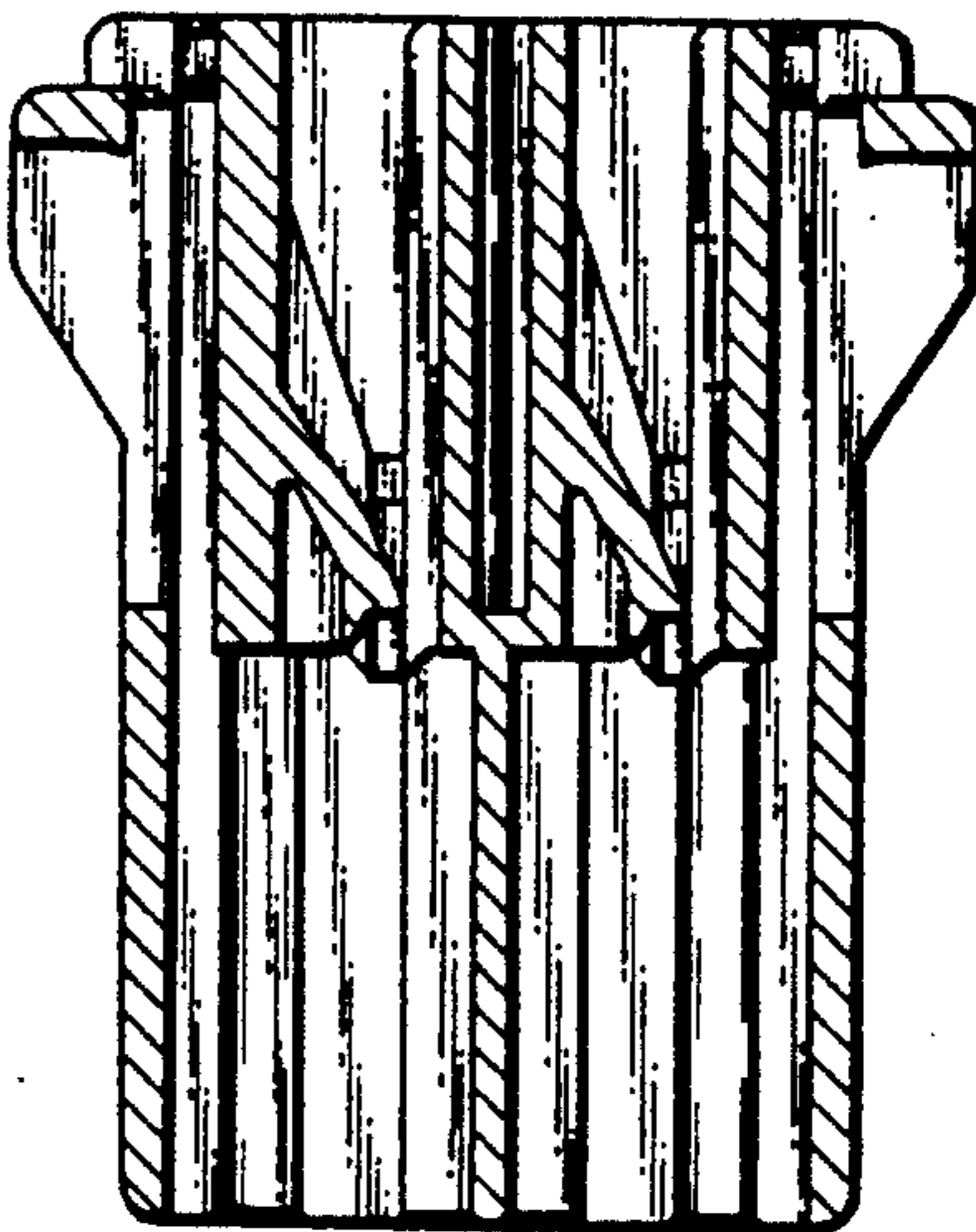
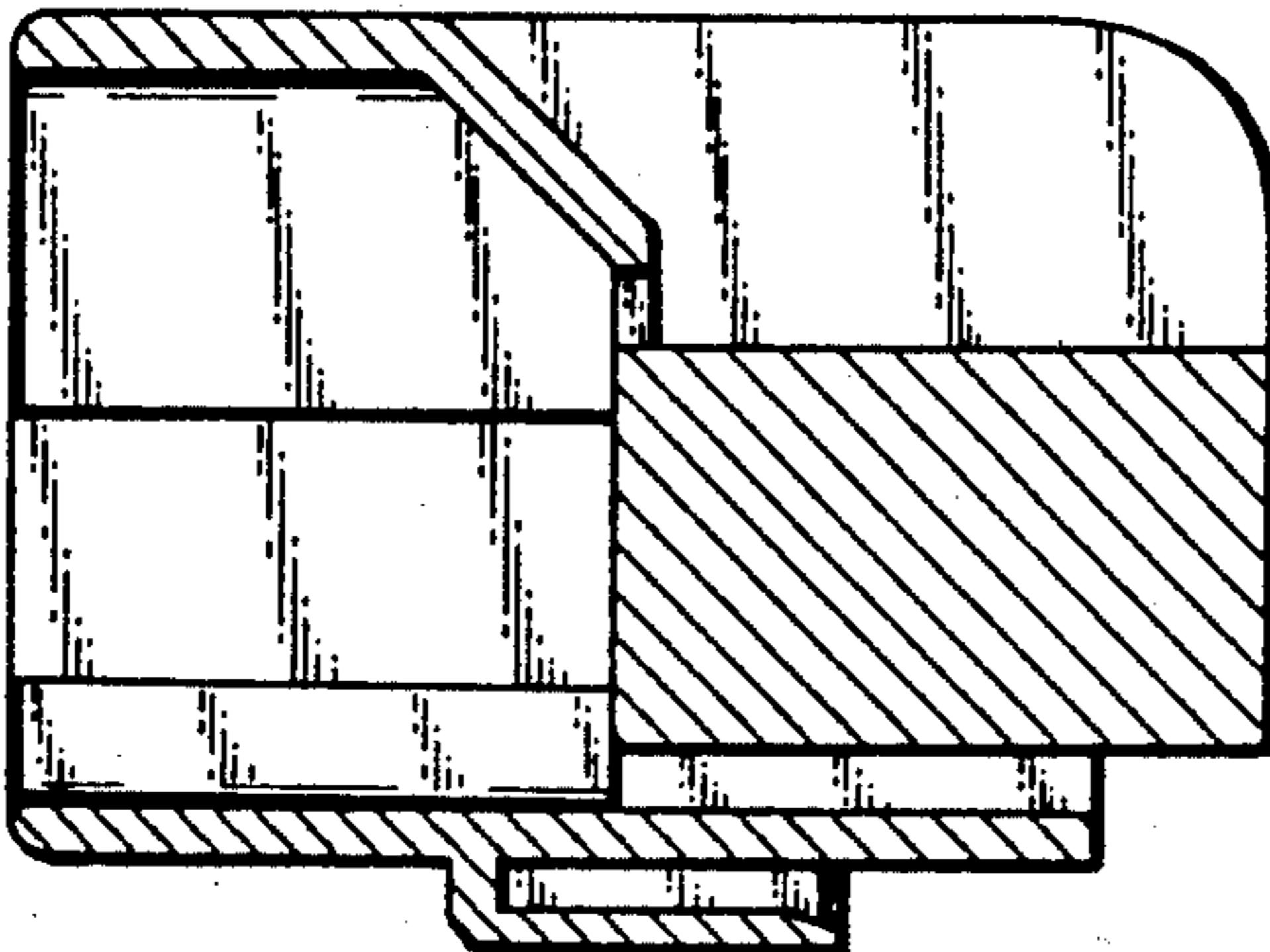


FIG. 7



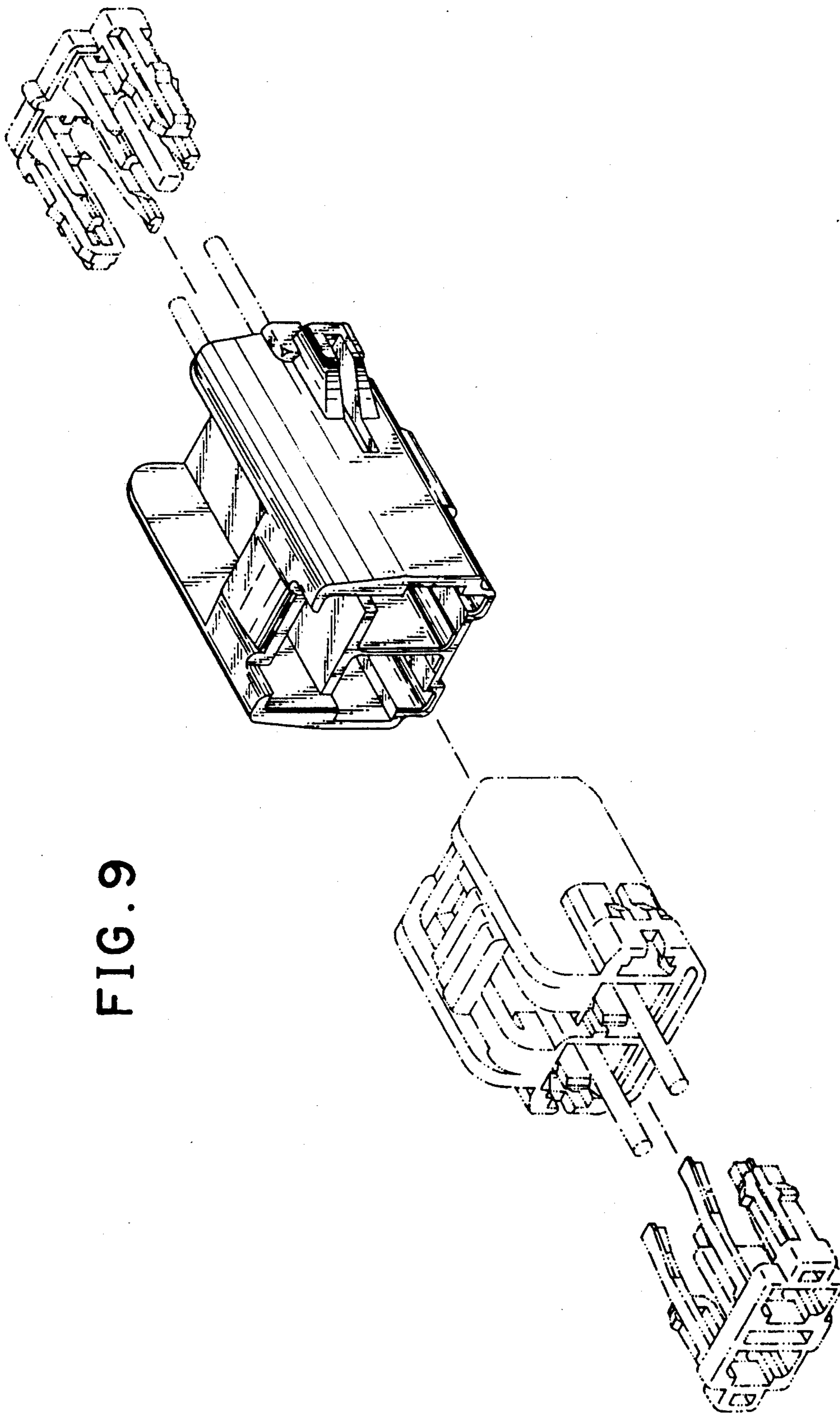


FIG. 9