



US00D330885S

United States Patent [19]

[11] Patent Number: **Des. 330,885**

Tattari

[45] Date of Patent: **** Nov. 10, 1992**

[54] **CIGARETTE LIGHTER CHARGER FOR A RADIO PHONE**

[75] Inventor: **Jouko Tattari, Nokia, Finland**

[73] Assignee: **Nokia Mobile Phones Ltd., Salo, Finland**

[**] Term: **14 Years**

[21] Appl. No.: **510,427**

[22] Filed: **Apr. 16, 1990**

[52] U.S. Cl. **D13/108; D13/144**

[58] Field of Search **D13/107, 108; 320/23; 439/622, 627, 638, 639, 668**

[56] **References Cited**
PUBLICATIONS

- Cigarette lighter adaptors on p. 121 of *Hong Kong Electronics*.
- Cigarette lighter adaptor on p. 44 of 1987 *Radio Shack Catalog*.
- Cigarette lighter converter on p. 404 of '89/'90 *B.A. Pragh Catalog*.

Primary Examiner—Wallace R. Burke
Assistant Examiner—Joel Sincavage
Attorney, Agent, or Firm—Klauber & Jackson

[57] **CLAIM**

The ornamental design for a cigarette lighter charger for a radio phone, as shown and described.

DESCRIPTION

FIG. 1 is a front and upper right prospective view of a cigarette lighter charger for a radio phone showing my new design;

FIG. 2 is a rear and lower light perspective view thereof;

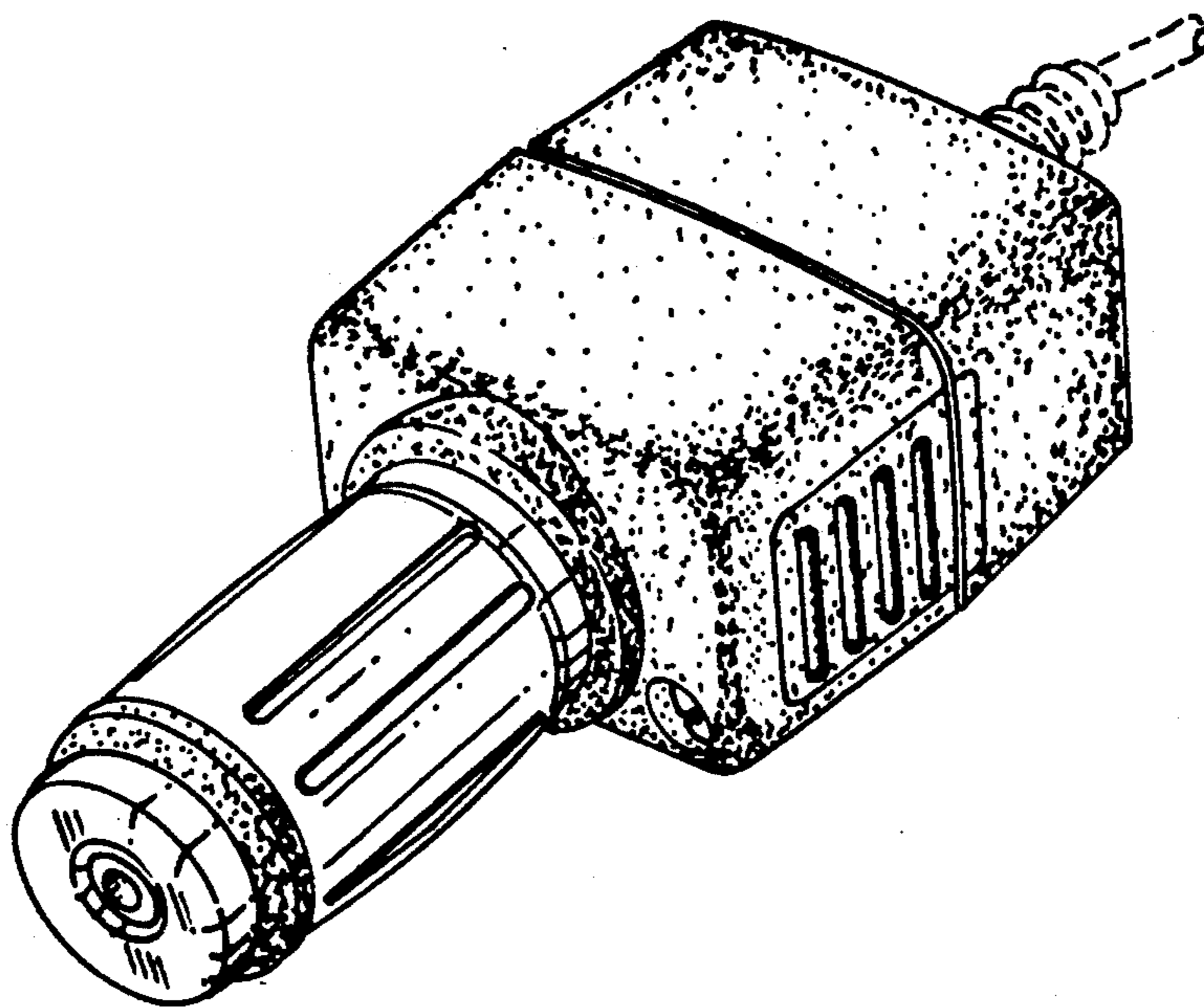
FIG. 3 is a front view thereof;

FIG. 4 is an inverted rear elevational view thereof;

FIG. 5 is a left side elevational view thereof, the right side elevational view thereof being a mirror image except for the indicator light; and,

FIG. 6 is a bottom view thereof, the top view being a mirror image.

The broken line showing of the electrical cord and strain reliever is included for the purpose of illustrating environmental elements only and forms no part of the claimed design.



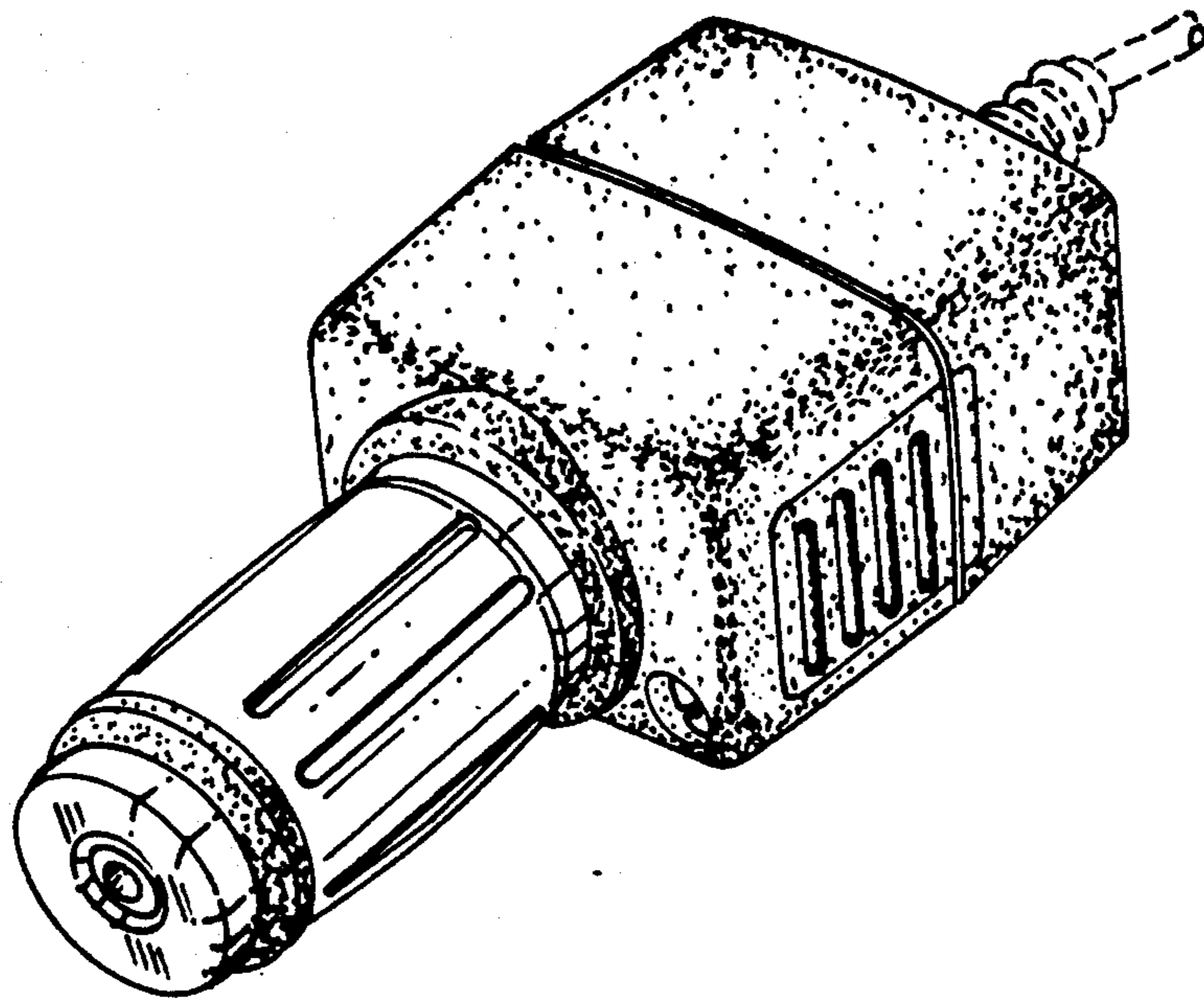


FIG. 1

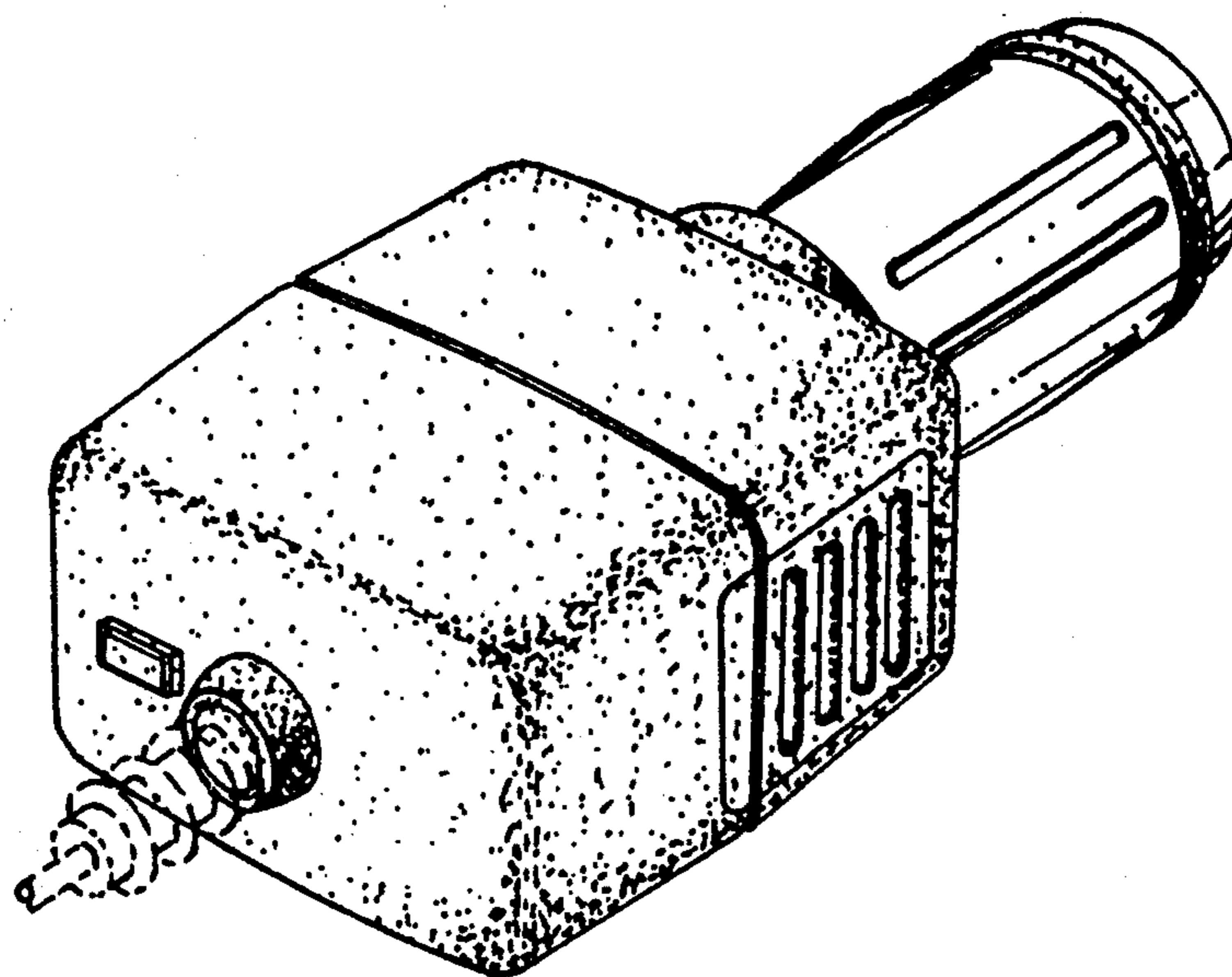


FIG. 2

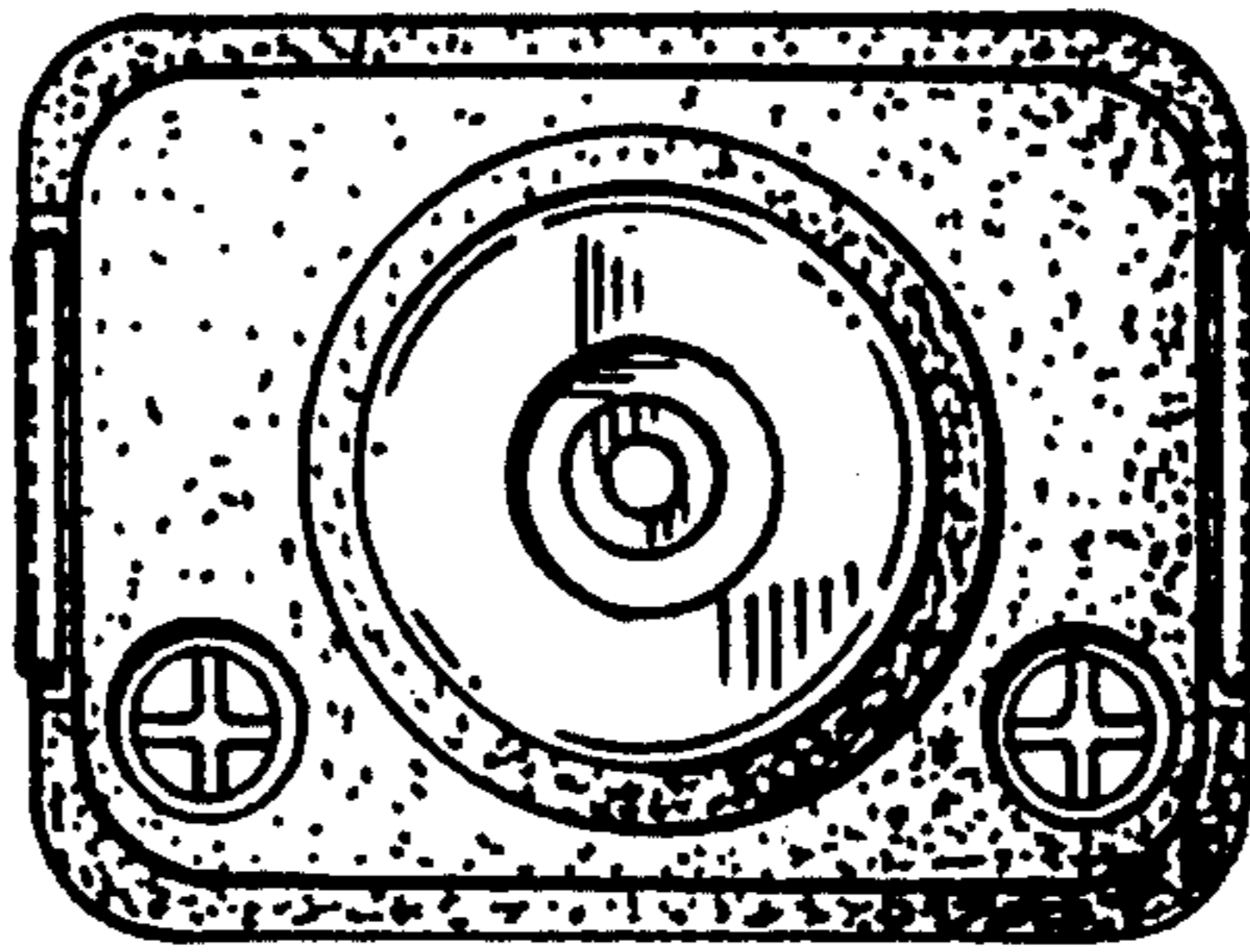


FIG. 3

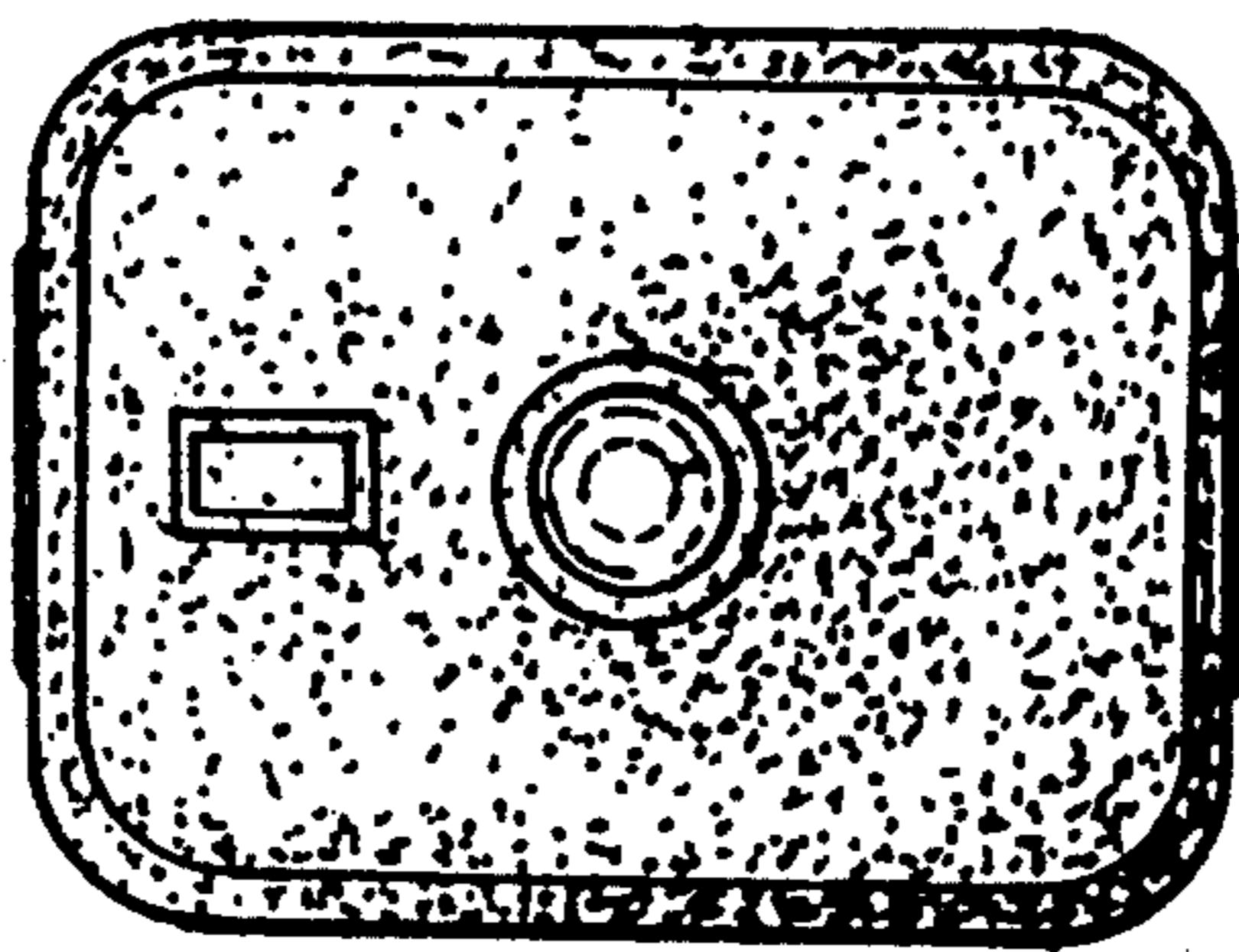


FIG. 4

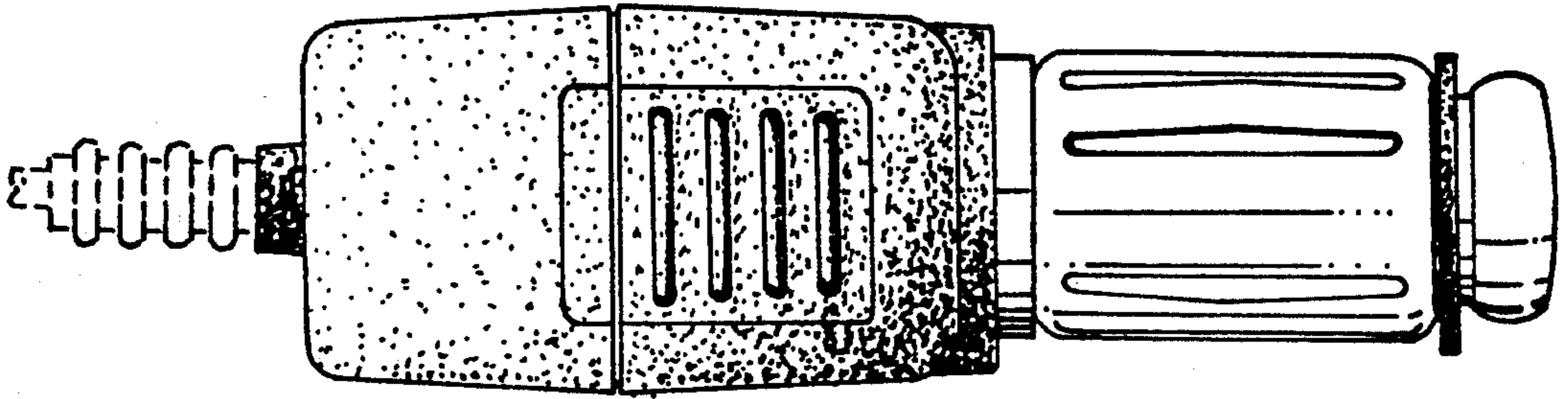


FIG. 5

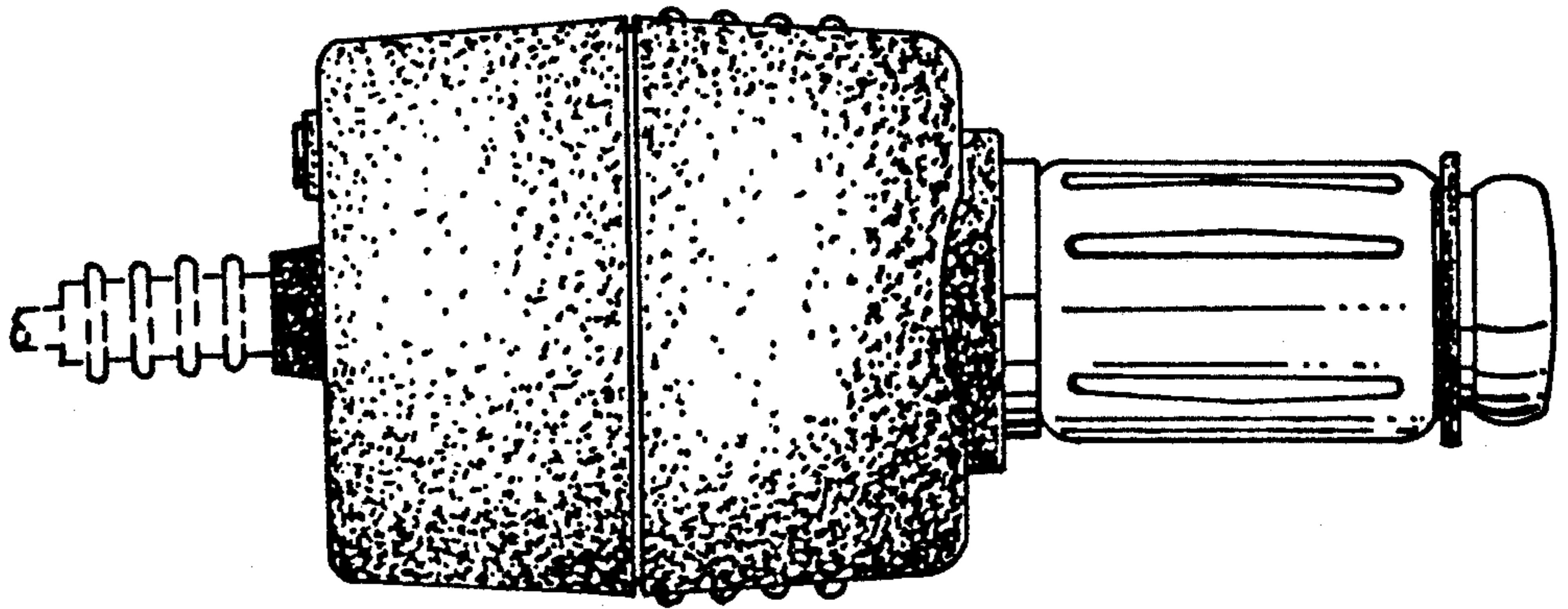


FIG. 6