



US00D330884S

United States Patent [19]

Harr

[11] Patent Number: **Des. 330,884**

[45] Date of Patent: **** Nov. 10, 1992**

- [54] **WHEEL**
- [75] Inventor: **Robert D. Harr**, Wheat Ridge, Colo.
- [73] Assignee: **Kryptonics, Inc.**, Boulder, Colo.
- [**] Term: **14 Years**
- [21] Appl. No.: **803,368**
- [22] Filed: **Dec. 6, 1991**
- [52] U.S. Cl. **D12/209; D12/135**
- [58] Field of Search **D12/135, 204, 206, 209, D12/211, 212; 301/63 R, 63 PW, 64 R, 65**

D. 326,838 6/1992 Julien D12/211

OTHER PUBLICATIONS

Car & Driver, Feb. 1990, p. 115, Elite Wheel "A", lower right side of page.

Primary Examiner—James M. Gandy
Attorney, Agent, or Firm—Ralph F. Crandell

[57] CLAIM

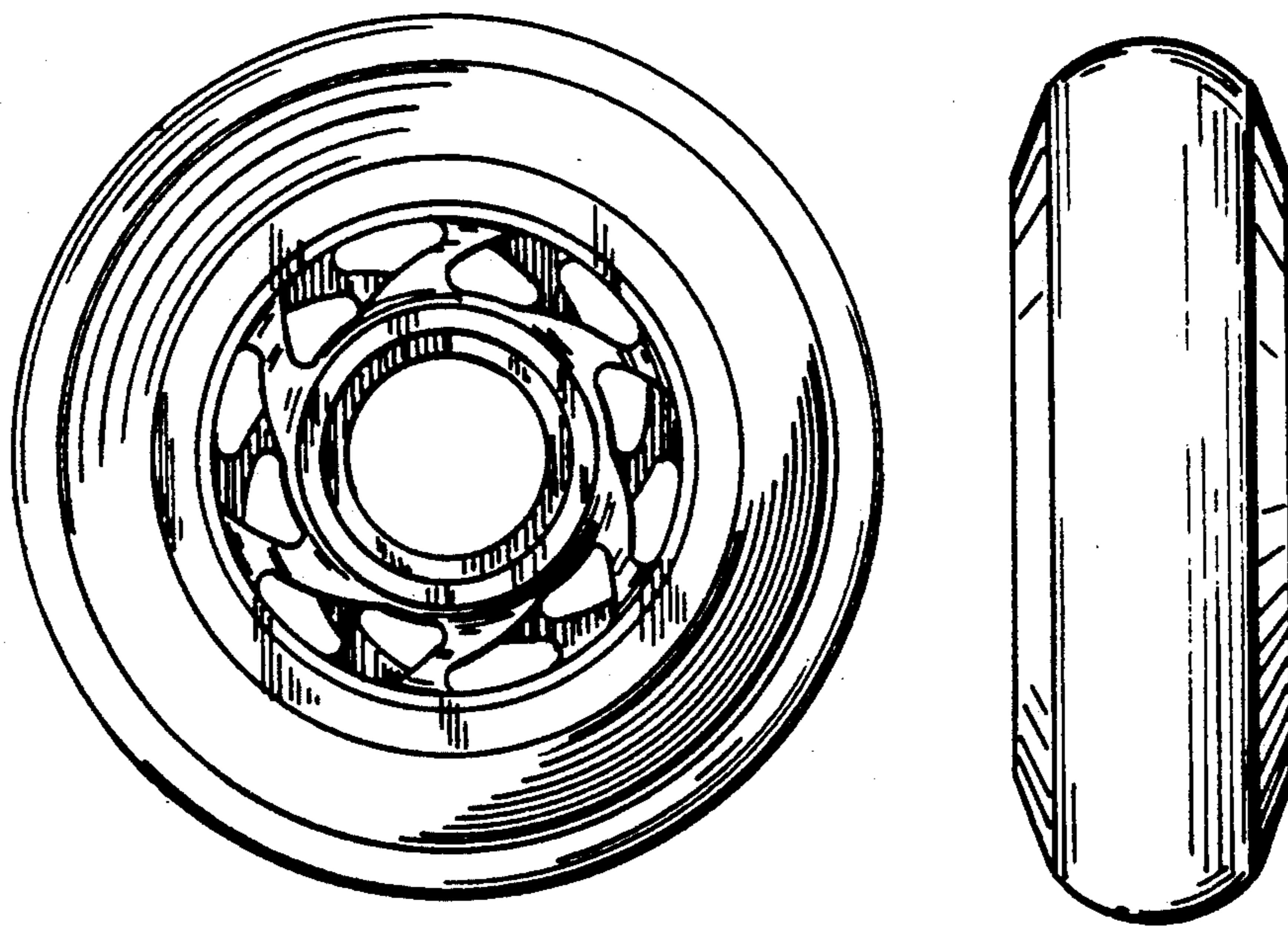
The ornamental design for a wheel, as shown and described.

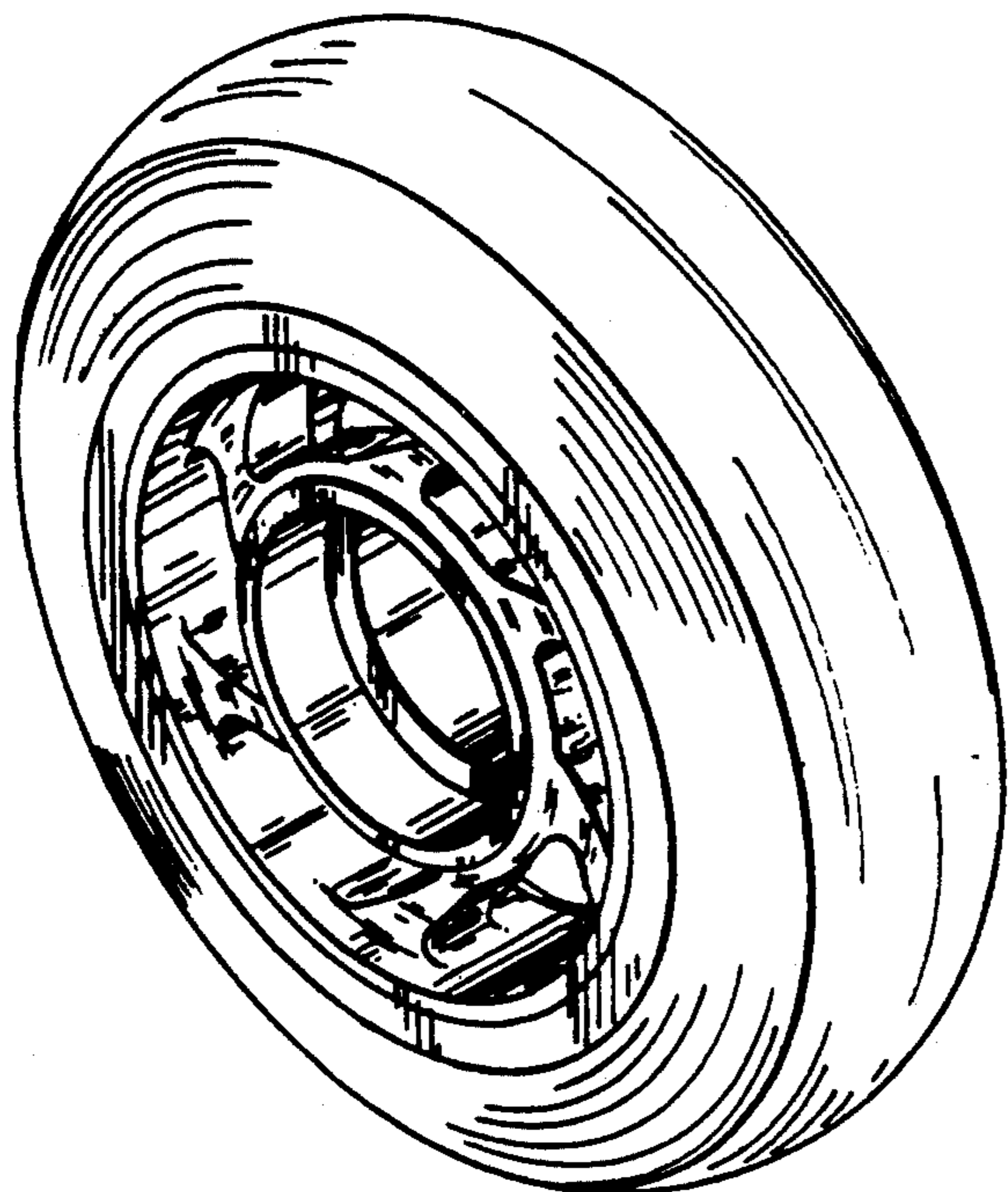
DESCRIPTION

FIG. 1 is a perspective view of a wheel embodying my new design;
FIG. 2 is a side elevational view thereof, the opposite side elevational view being a mirror image of the side shown; and,
FIG. 3 is an end elevational view thereof.

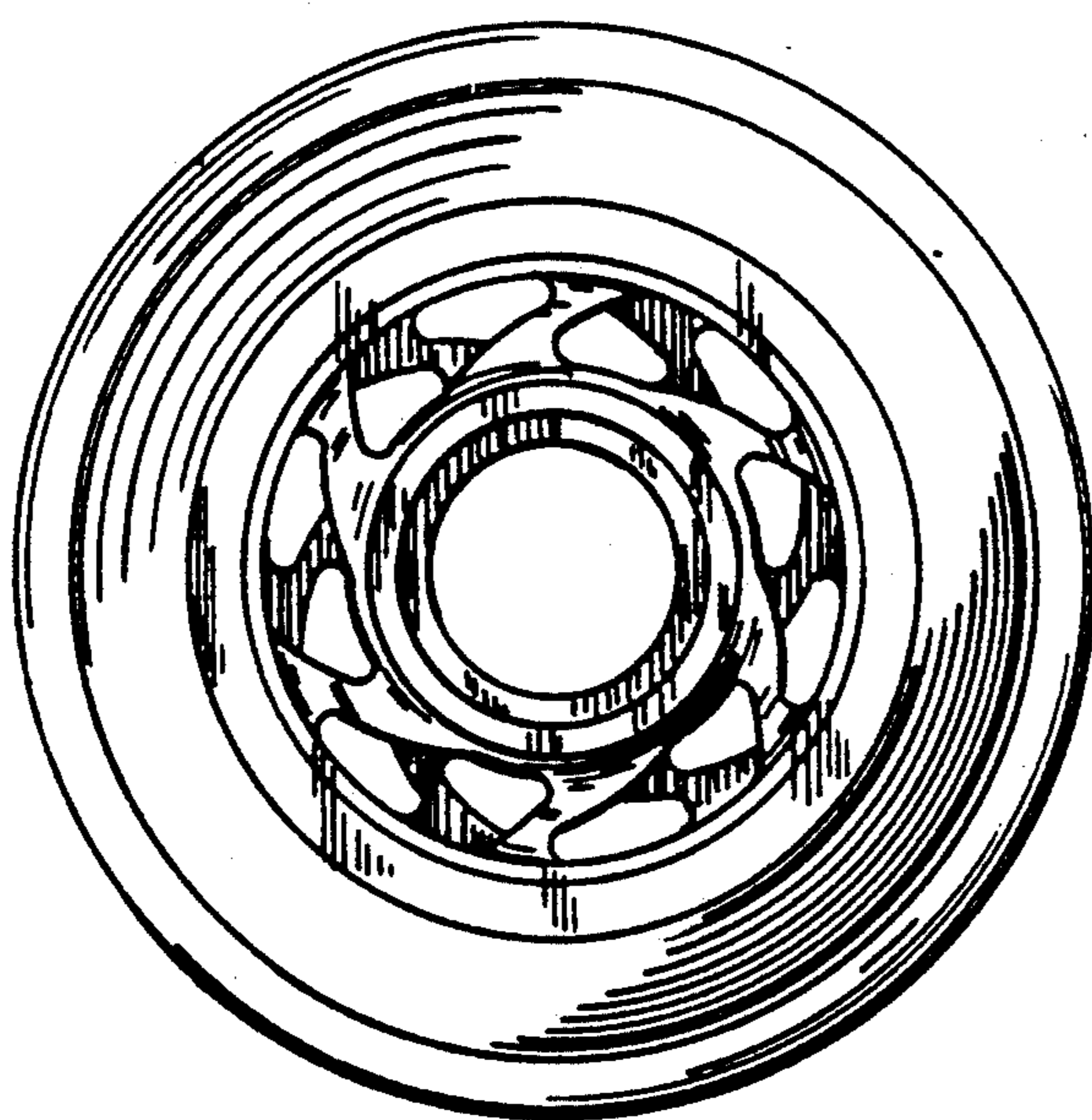
[56] References Cited U.S. PATENT DOCUMENTS

- D. 197,839 3/1964 Logghe D12/211
- D. 296,198 6/1988 Buchanan D12/135
- D. 324,020 2/1992 Wu D12/135

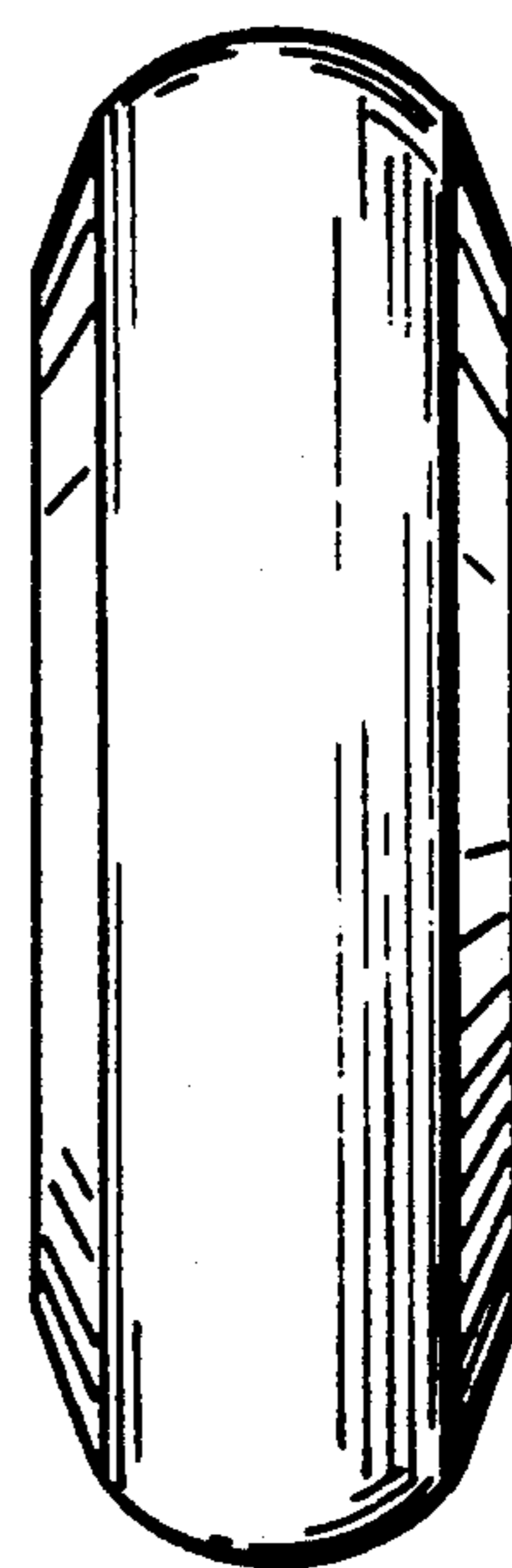




Fig_1



Fig_2



Fig_3