



US00D330865S

United States Patent [19]

[11] Patent Number: **Des. 330,865**

Peletis et al.

[45] Date of Patent: **** Nov. 10, 1992**

- [54] **DIFFERENTIAL PRESSURE INDICATOR**
- [75] Inventors: **George N. Peletis**, Englewood;
Robert B. Tosi, Evergreen; **Ronald E. MacPherson**, Indian Hills, all of Colo.
- [73] Assignee: **Wilkerson Corporation**, Englewood, Colo.
- [**] Term: **14 Years**
- [21] Appl. No.: **707,391**
- [22] Filed: **May 30, 1991**
- [52] U.S. Cl. **D10/84; D10/46**
- [58] Field of Search **D10/46, 84, 85, 96; 184/7.4, 29**

- 4,029,042 6/1977 Juhasz 116/267
- 4,445,457 5/1984 Bacgman 116/268
- 4,867,095 9/1989 Shane et al. 116/267 X

Primary Examiner—Carmen H. Vales-Lado
Assistant Examiner—Antoine D. Davis
Attorney, Agent, or Firm—Ralph F. Crandell

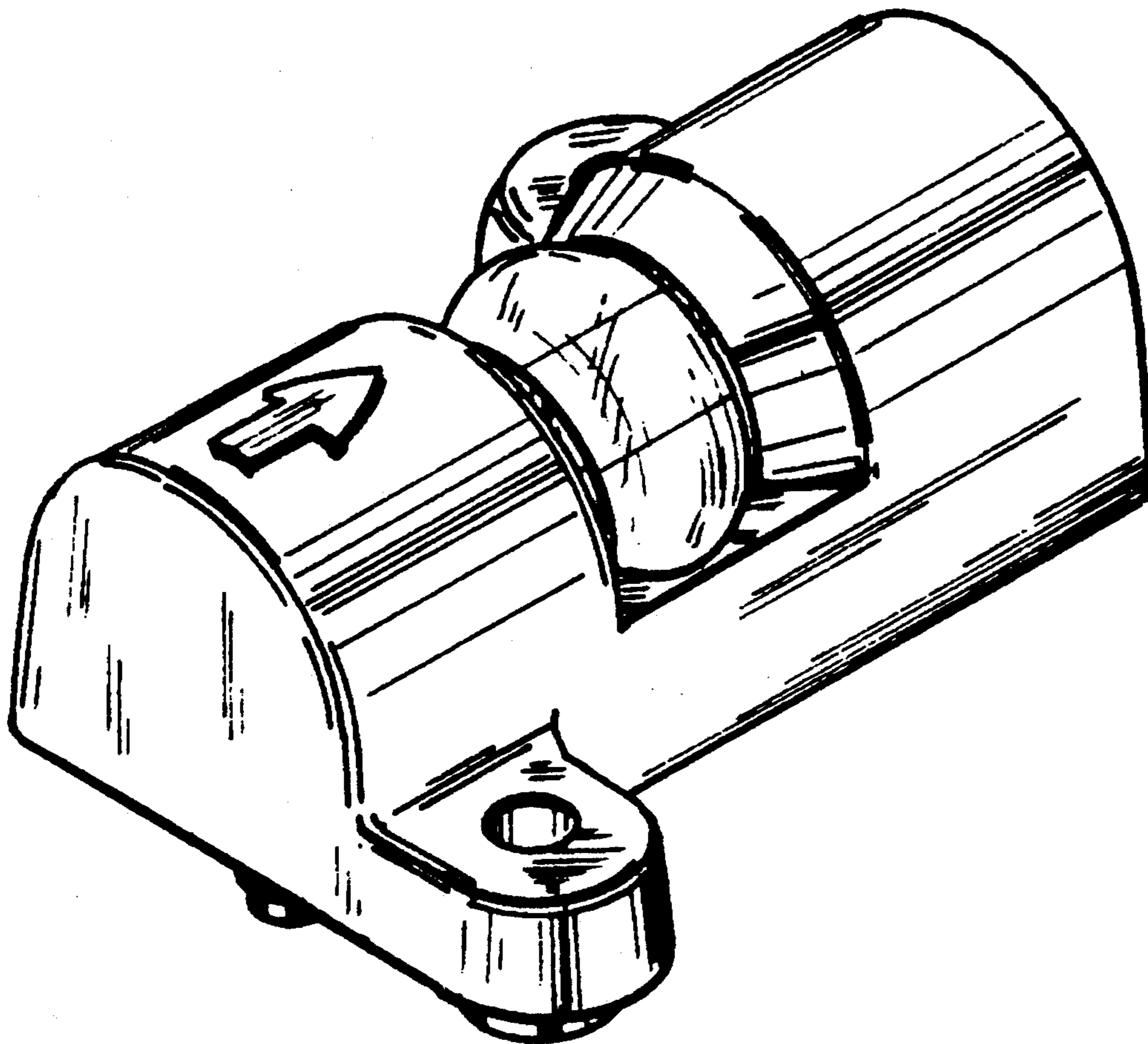
[57] CLAIM

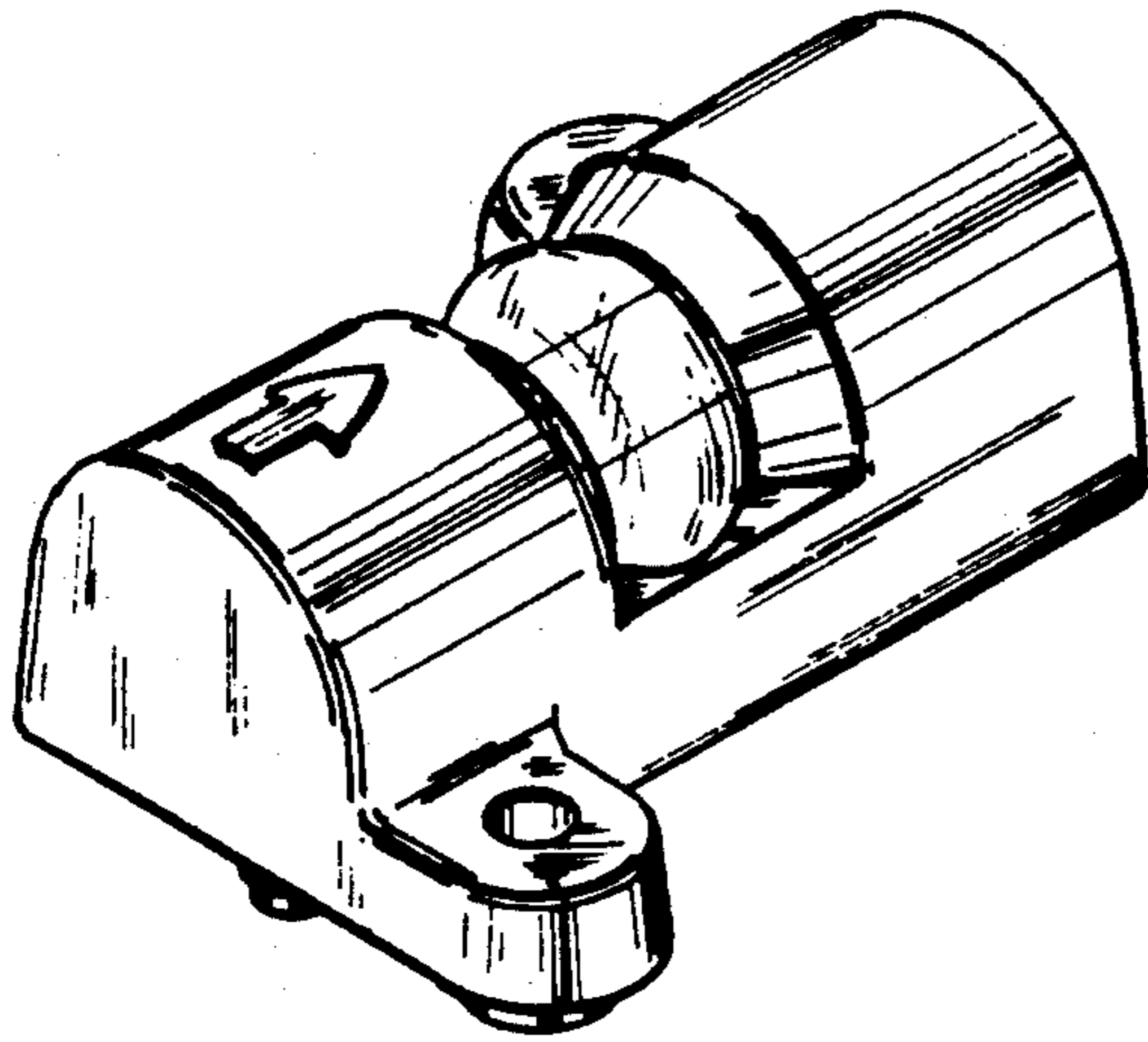
The ornamental design for a differential pressure indicator, as shown and described.

DESCRIPTION

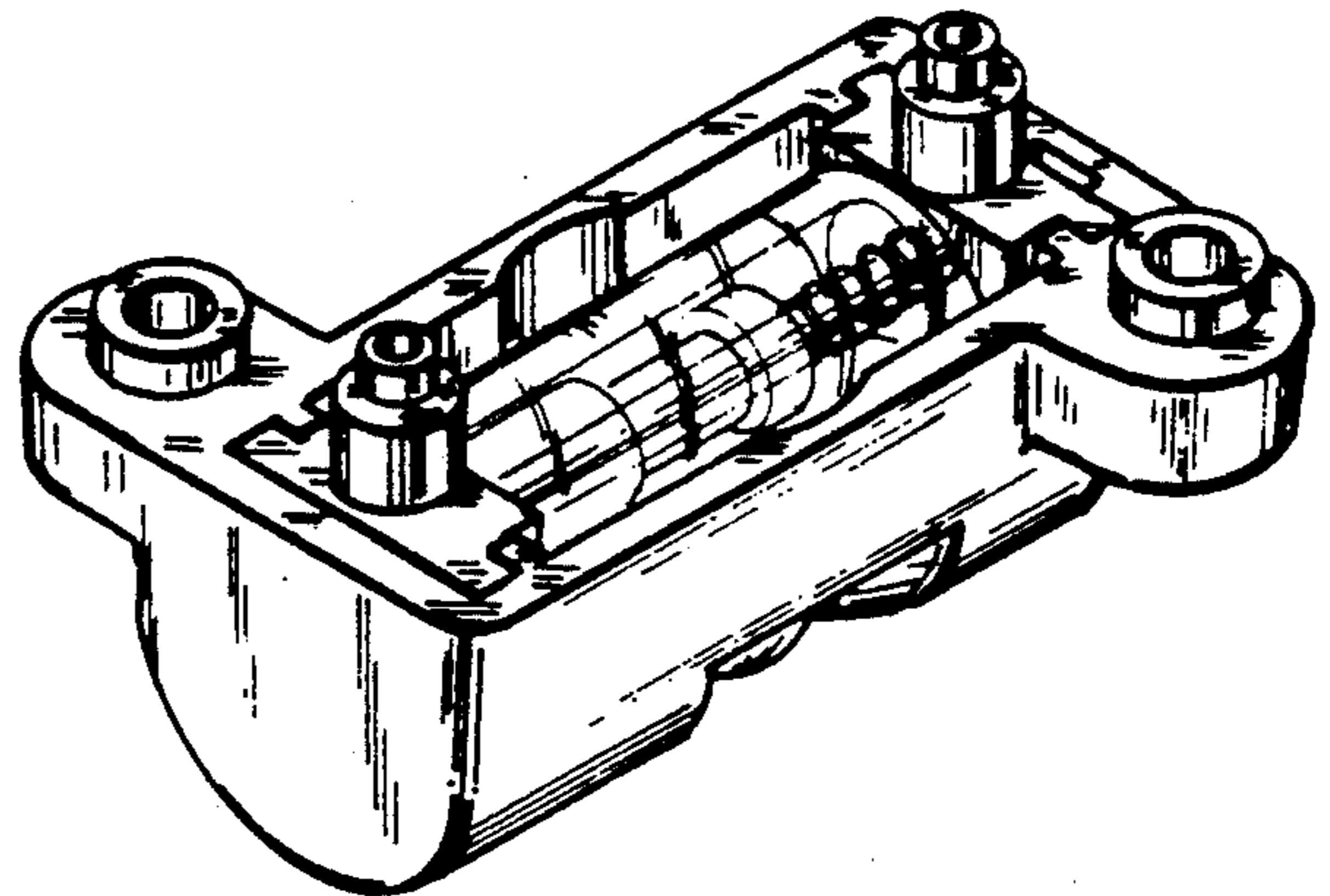
FIG. 1 is a top, front and right side perspective view of a differential pressure indicator showing our new design;
 FIG. 2 is a bottom, rear and left side perspective view;
 FIG. 3 is a top plan view;
 FIG. 4 is a right side elevational view, the left side elevational view being identical;
 FIG. 5 is a typical end elevational view; and,
 FIG. 6 is a bottom plan view thereof.

- [56] **References Cited**
- U.S. PATENT DOCUMENTS**
- 3,568,625 3/1971 Ciento 116/267
- 4,010,708 3/1977 Keledy et al. 116/276

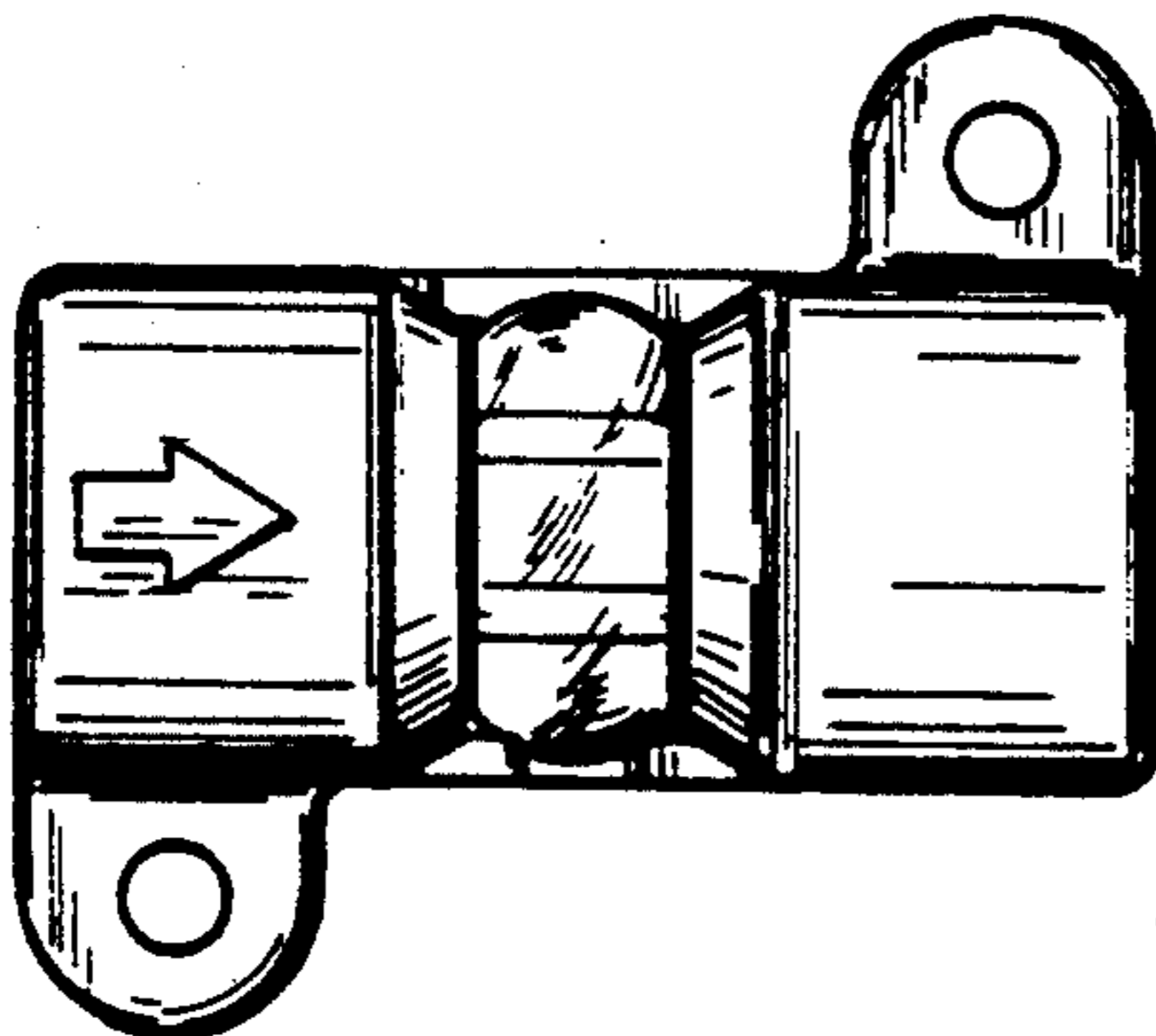




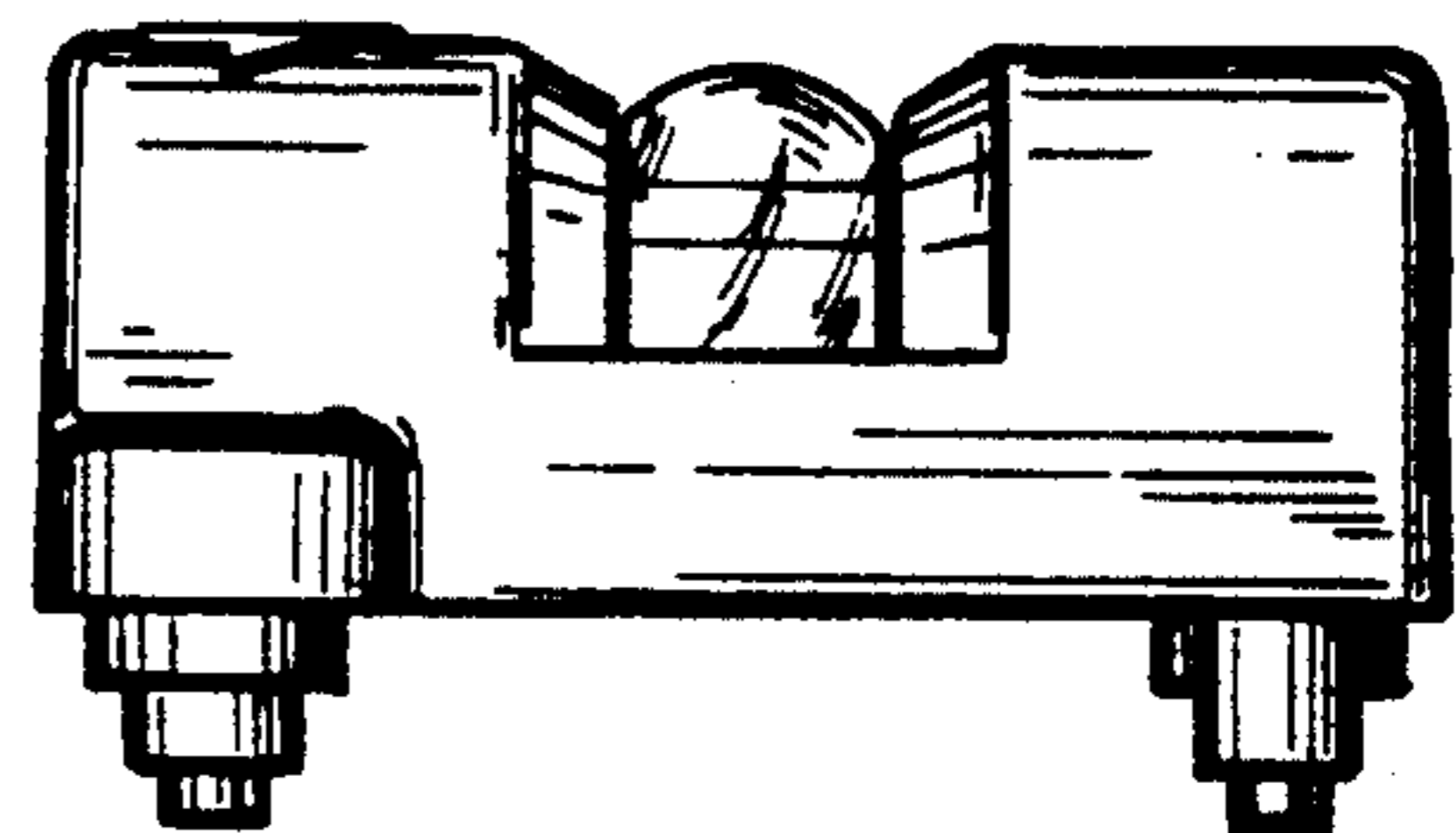
Fig_1



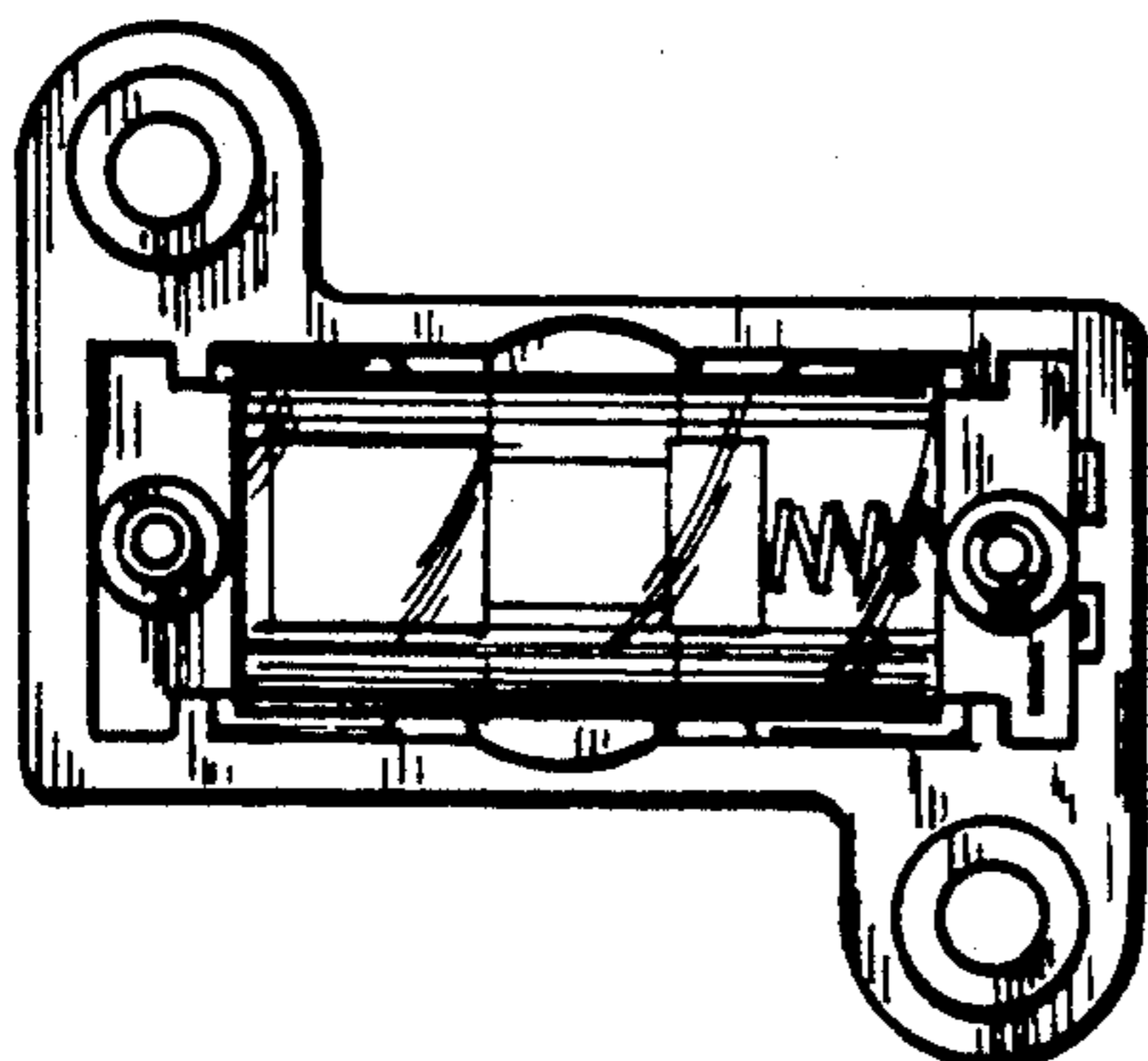
Fig_2



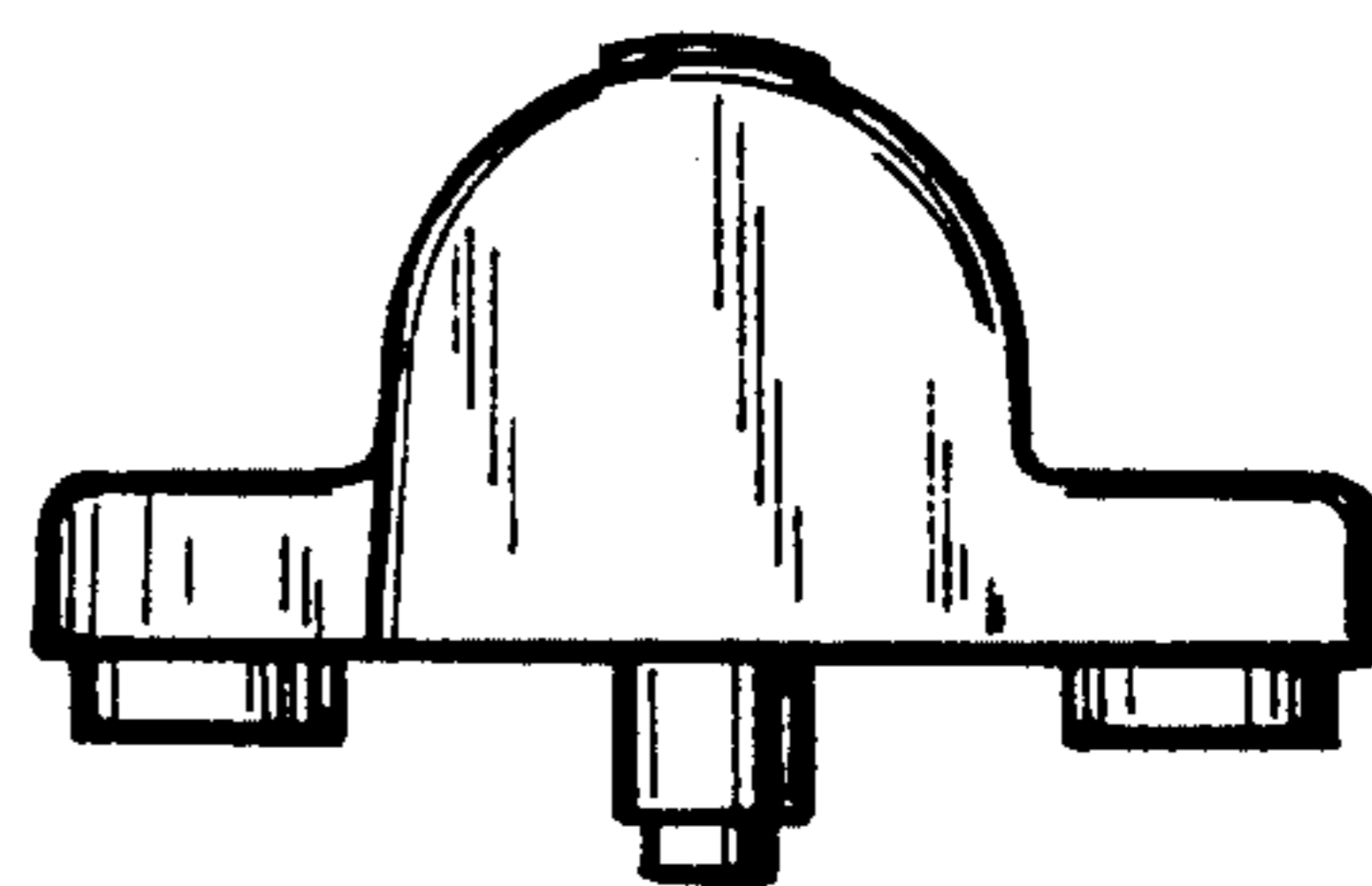
Fig_3



Fig_4



Fig_6



Fig_5